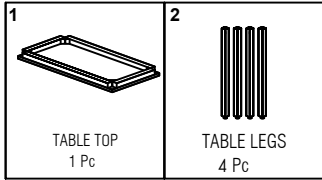
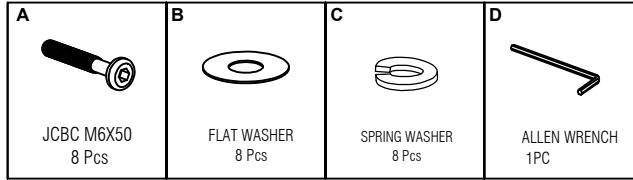


Assemble on cardboard or carpet for protection. 2-person assembly team suggested.

PARTS



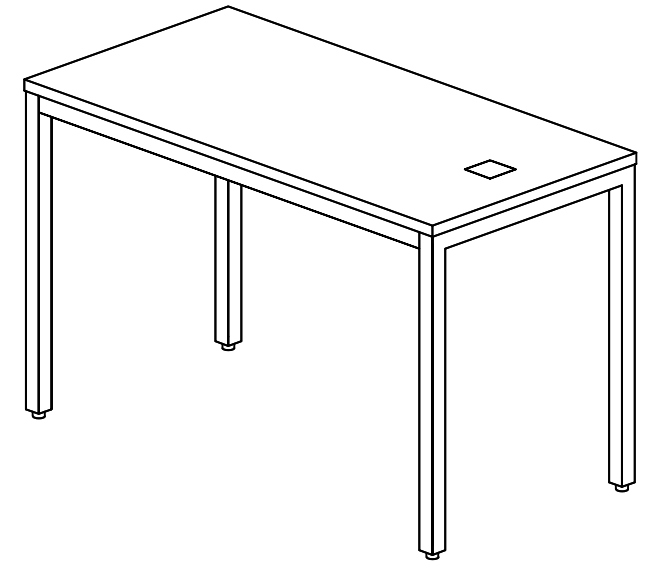
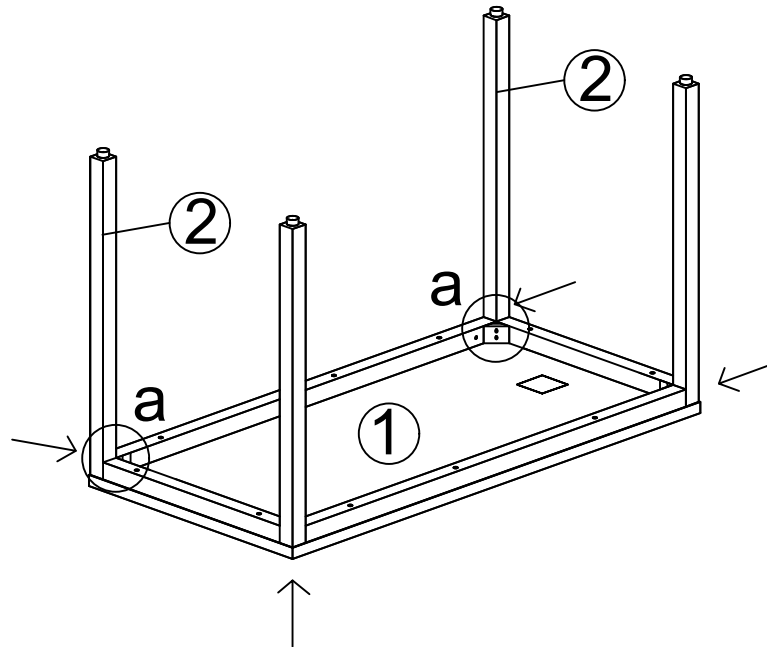
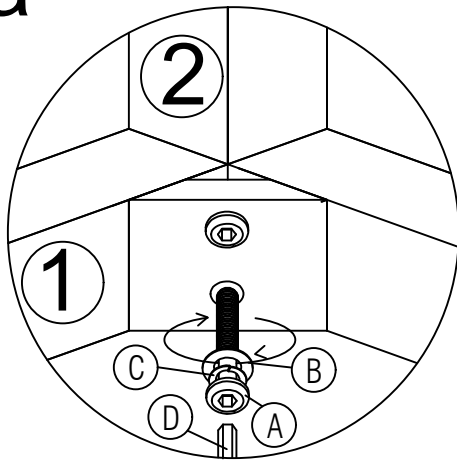
HARDWARE



PACKED WITH MX2 ML725

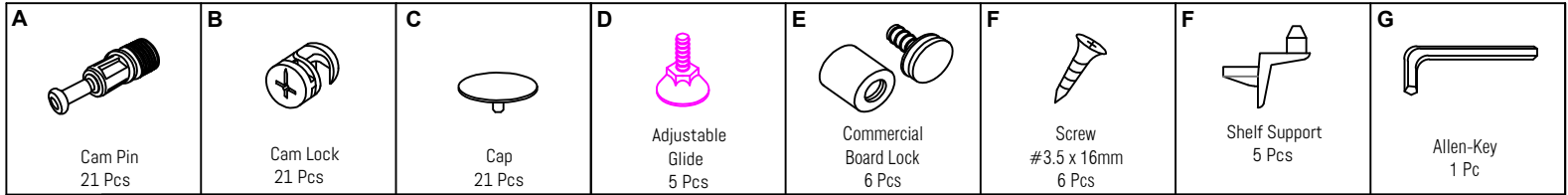
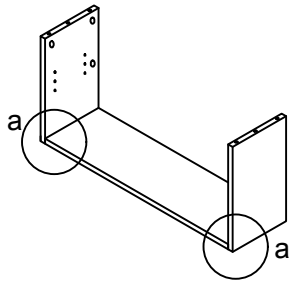
STEP 1:

a

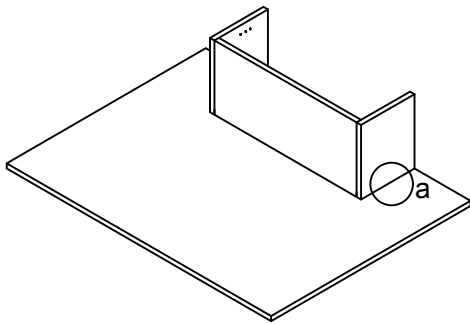


Assemble on cardboard or carpet for protection. 2-person assembly team suggested.

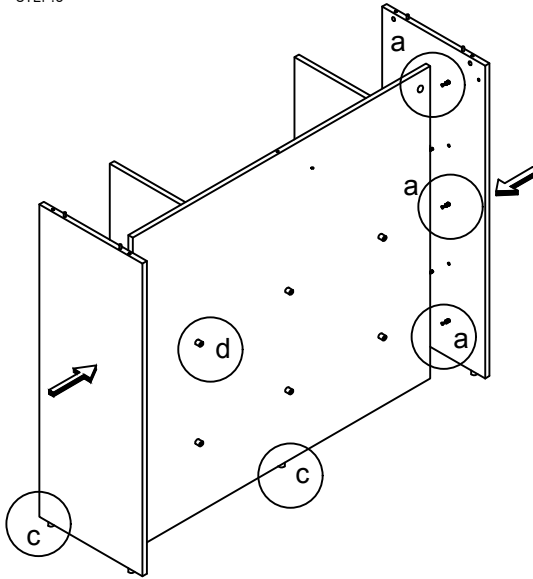
STEP:1



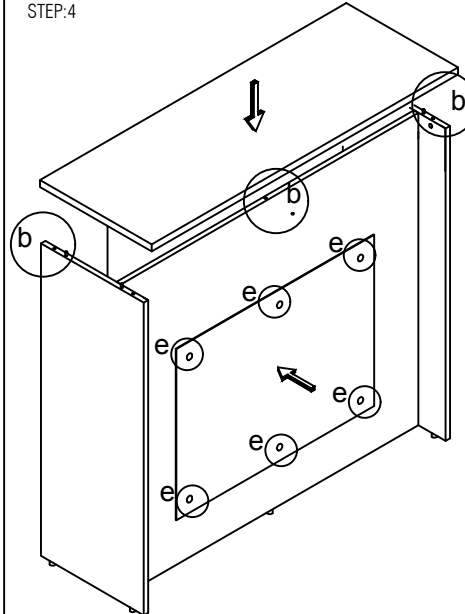
STEP:2



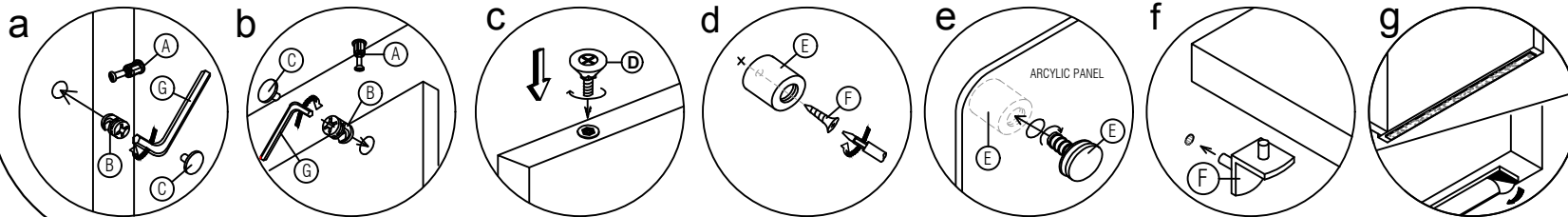
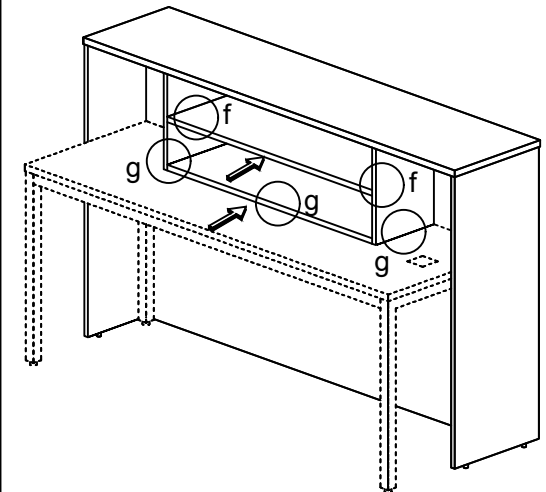
STEP:3



STEP:4

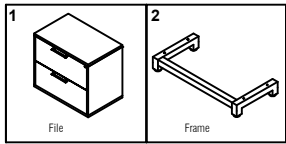


STEP:5

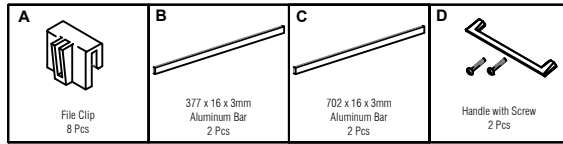


Assemble on cardboard or carpet for protection during assembly. 2-person assembly team suggested.

PARTS

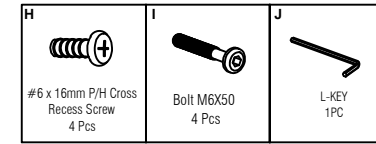


HARDWARE



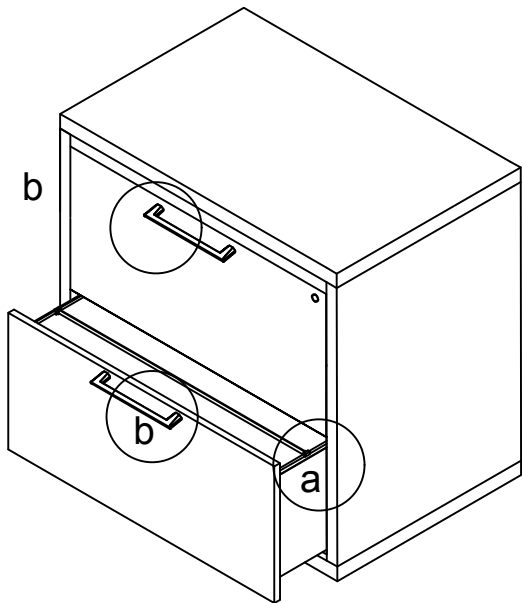
PACKED WITH MX2 LF2D(A)

HARDWARE



PACKED WITH MX2 MLB8060

STEP 1



STEP 2

