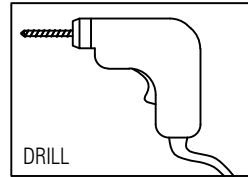




















Assemble on cardboard or carpet for protection during assembly. 2-person assembly team suggested.






DRILL

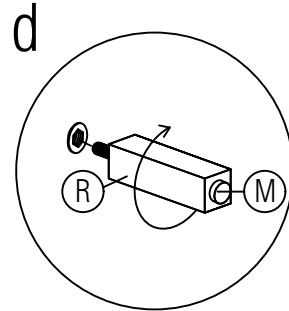
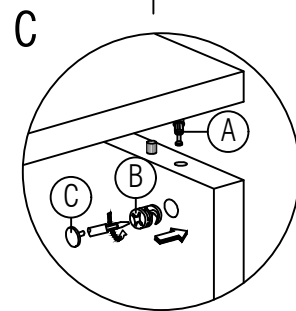
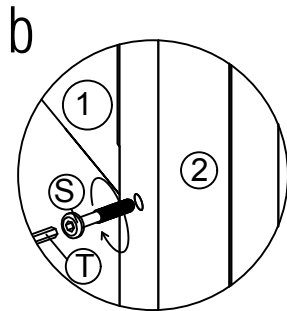
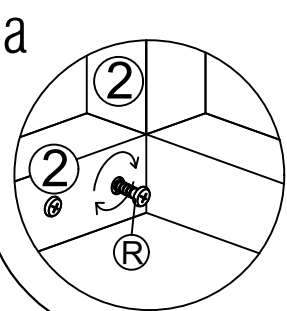
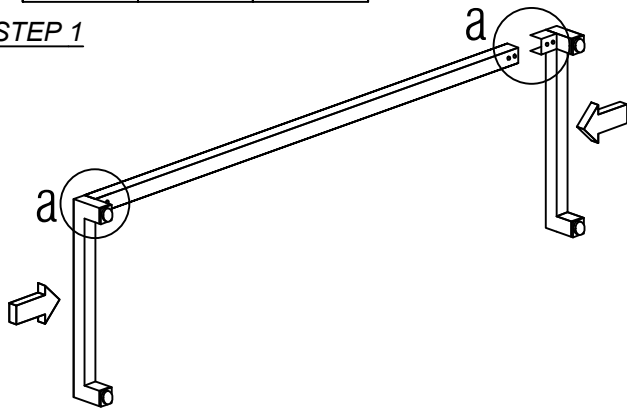
USE THIS POWER TOOL FOR
ASSEMBLE THIS PRODUCT

HARDWARE PACKED AT MX2 2190L/R B					
A  Cam Pin 20 Pcs	B  Cam Lock 20 Pcs	C  Cap 20 Pcs	D  Shelf Support 8 Pcs	E  Push Lock 1 Set	F  M3.5 x 12 CSK Screw 2 Pcs

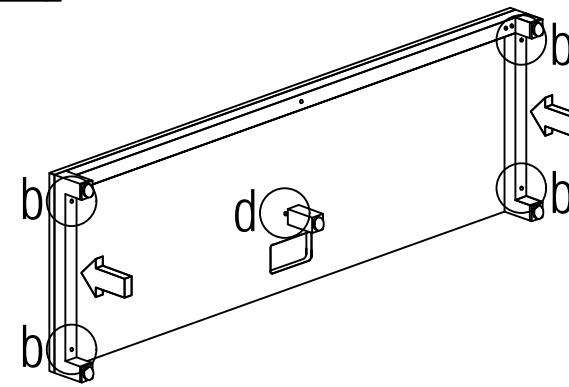
HARDWARE PACKED AT MX2 2190L/R A											
G  L-KEY 1 Pcs	H  JCBC M6X35MM 2 Pcs	I  FLAT WASHER 1/4 2 Pcs	J  #6 x 16mm P/H Cross Recess Screw 4 Pcs	K  Screw #3.5 x 20mm (BLK) 4 Pcs	L  Modesty Panel Bracket 2 Pcs	M  Adjustable Glide 3 Pcs	N  FLAT WASHER 5/16 4 Pcs	O  SPRING WASHER M8 4 Pcs	P  Hex Nut 4 Pcs	Q  Wrench (13MM) 1 Pcs	R  Support Leg 1 Pcs

HARDWARE PACKED AT MX2 MLB16060		
S  #6 x 16mm P/H Cross Recess Screw 4 Pcs	T  JCBC M6X50 4 Pcs	U  L-KEY 1 Pcs

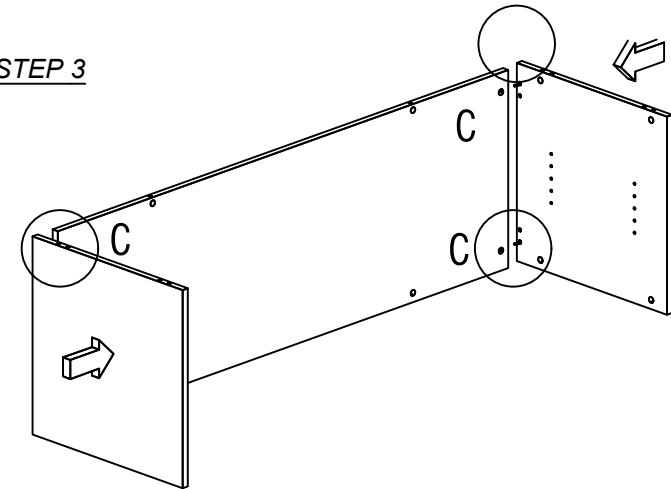
STEP 1



STEP 2



STEP 3

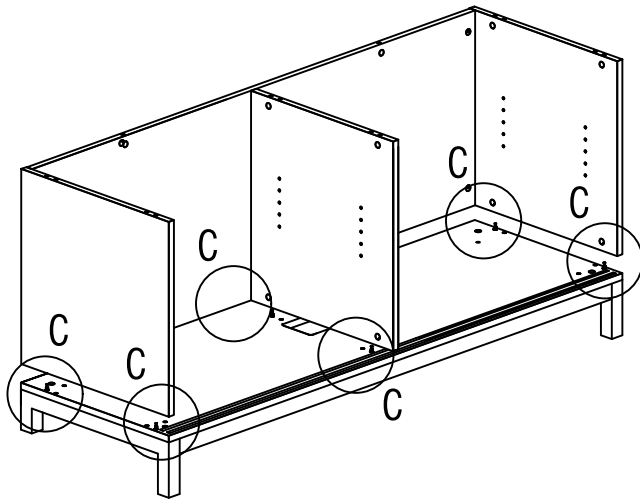


Assembly Instructions

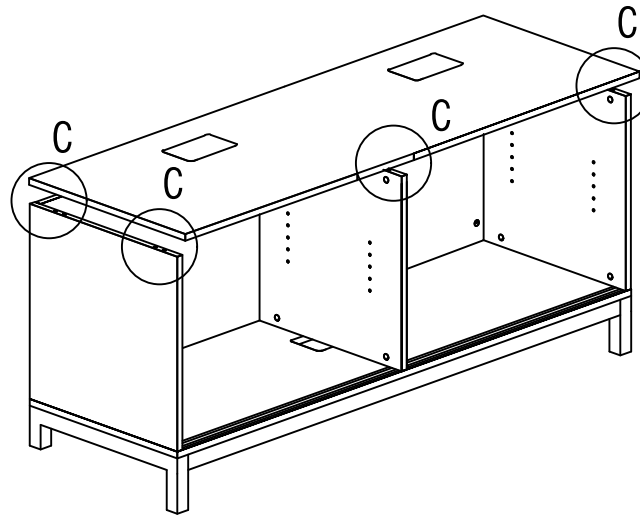
Contrasts Rustic Executive L Desk

Questions?
Call Customer Service at
1-800-443-5117, Mon-Fri, 8:30 - 5PM Central Time
or email at
CustomerSvc@ModernOfficeFurniture.com

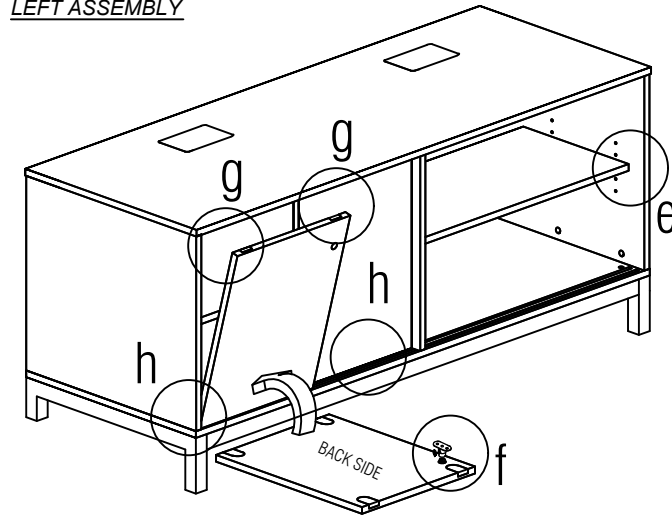
STEP 4



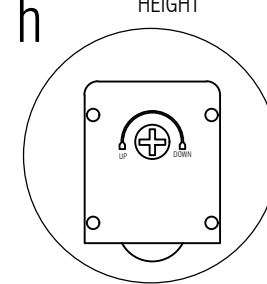
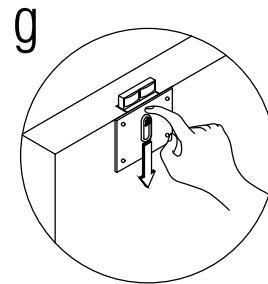
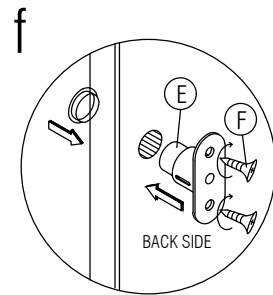
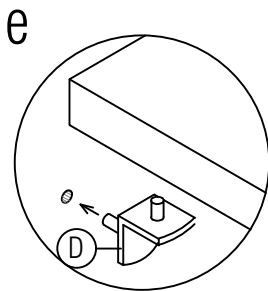
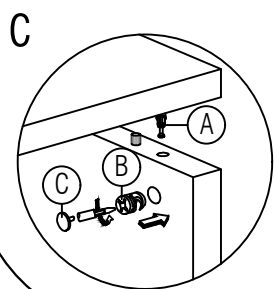
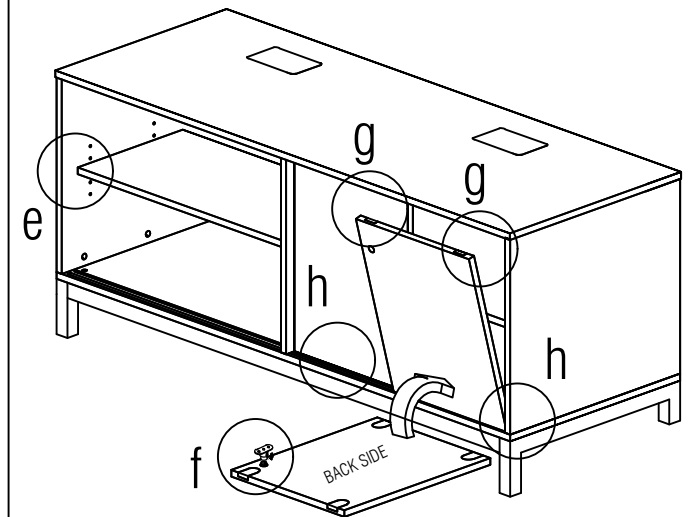
STEP 5



STEP 6
LEFT ASSEMBLY

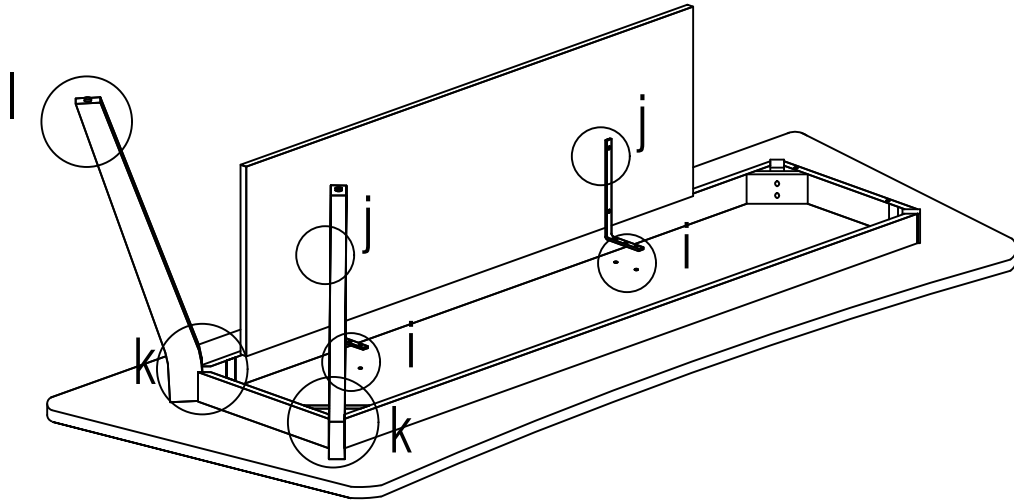


STEP 6
RIGHT ASSEMBLY

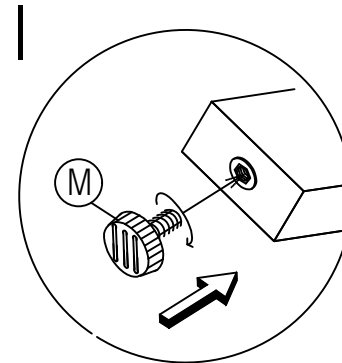
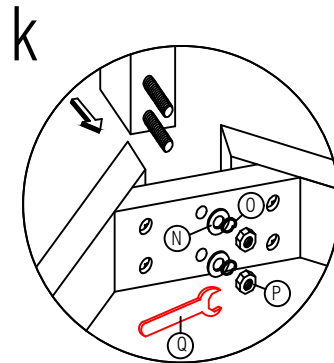
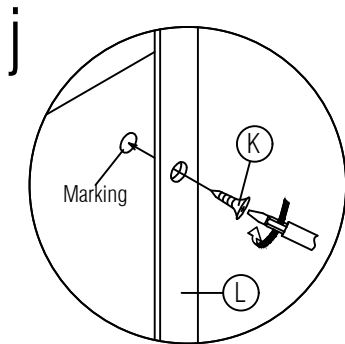
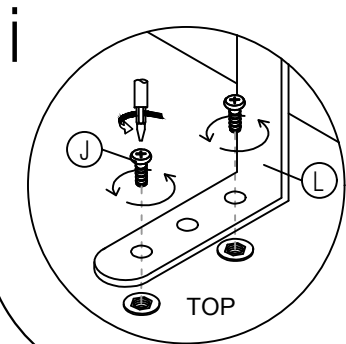
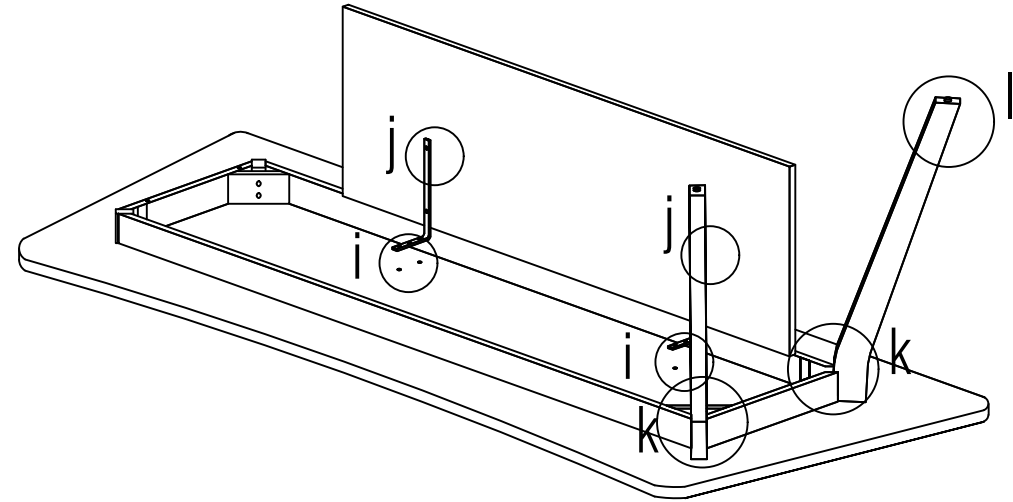


ROTATE CLOCKWISE TO
INCREASE ROLLER HEIGHT
ROTATE ANTI-CLOCKWISE
TO DECREASE ROLLER
HEIGHT

STEP 7
LEFT ASSEMBLY



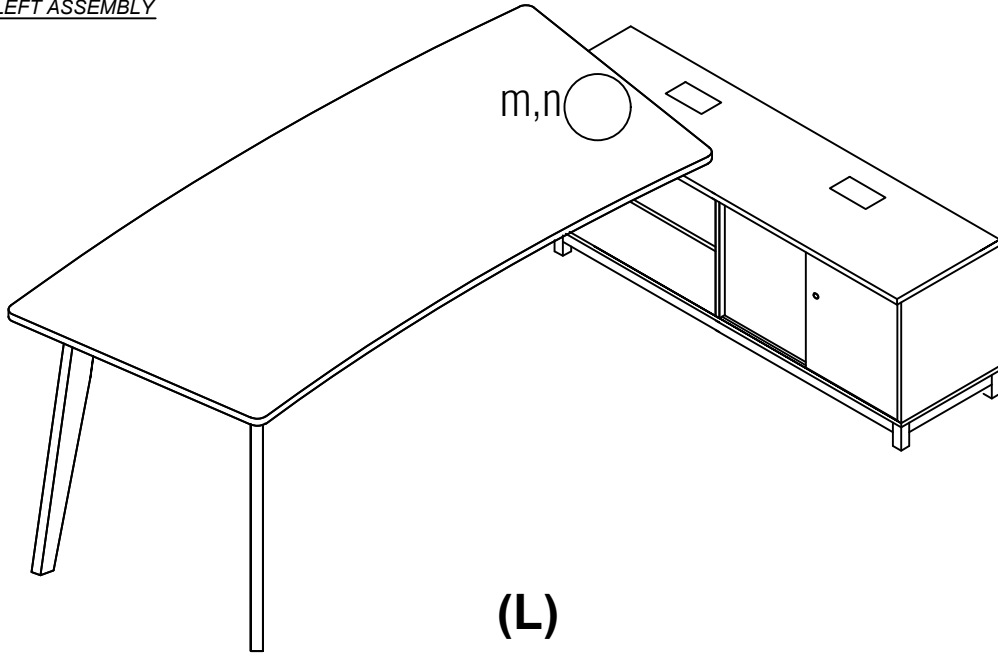
STEP 7
RIGHT ASSEMBLY



Assembly Instructions

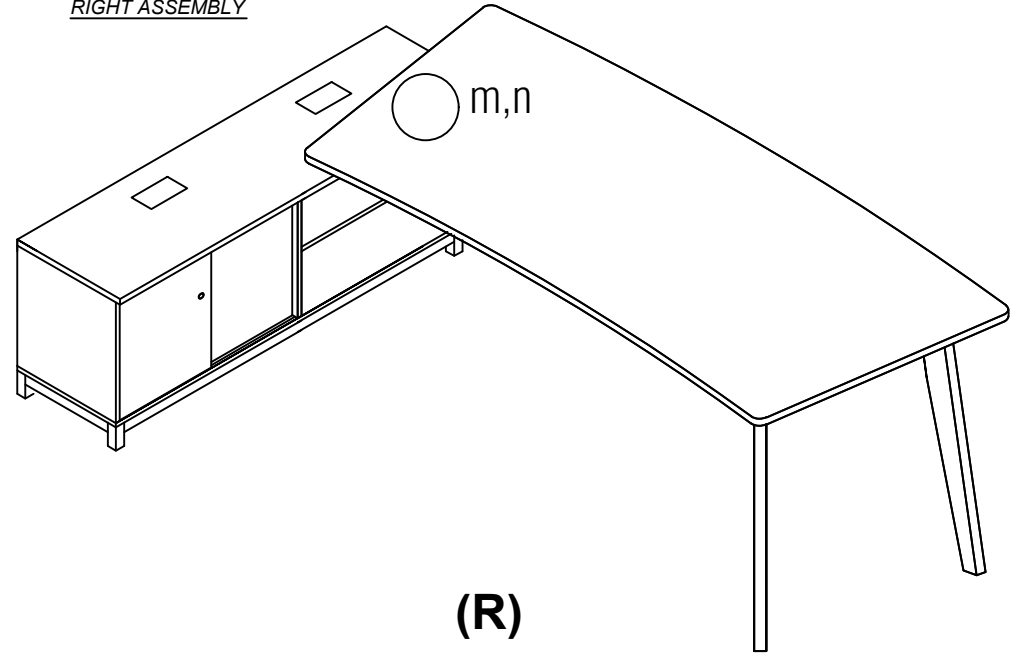
Contrasts Rustic Executive L Desk

STEP 8
LEFT ASSEMBLY

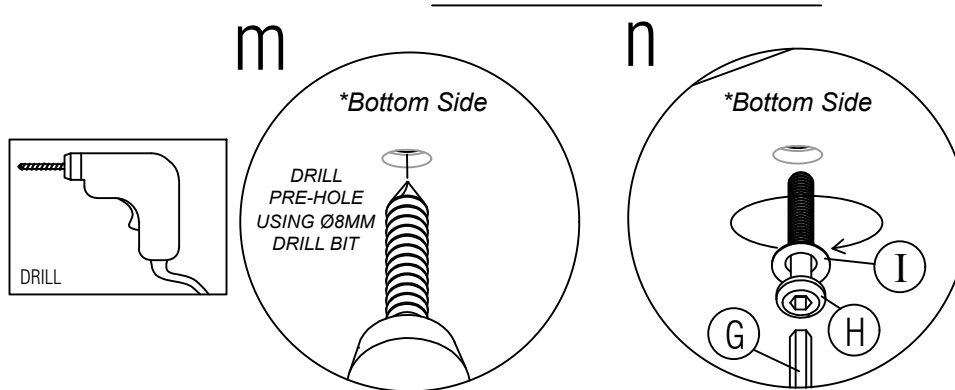


(L)

STEP 8
RIGHT ASSEMBLY









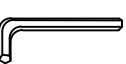


(R)



Assemble on cardboard or carpet for protection during assembly. 2-person assembly team suggested.

HARDWARE

<p>A</p>  <p>Cam Pin 27 Pcs</p>	<p>B</p>  <p>Cam Lock 27 Pcs</p>	<p>C</p>  <p>Cap 27 Pcs</p>	<p>D</p>  <p>Screw #3.5 x 16mm 24 Pcs</p>	<p>E</p>  <p>Screw #6X5/8 CSK RATTAN 12 Pcs</p>	<p>F</p>  <p>Shelf Support 4 Pcs</p>	<p>G</p>  <p>Door Hinges 4 Pcs</p>	<p>H</p>  <p>L-Bracket 6 Hole 2 Pcs</p>	<p>I</p>  <p>Allen-Key 1 Pc</p>
---	--	---	---	---	--	--	---	---

