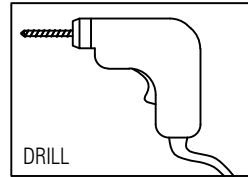










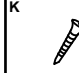
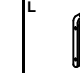

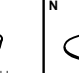

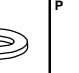
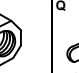



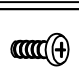


Assemble on cardboard or carpet for protection during assembly. 2-person assembly team suggested.



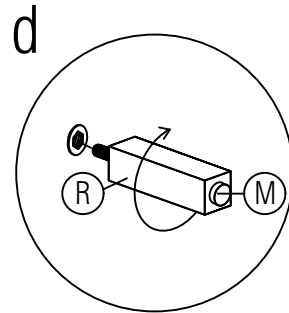
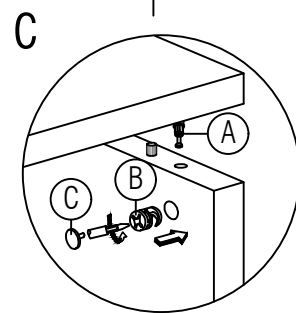
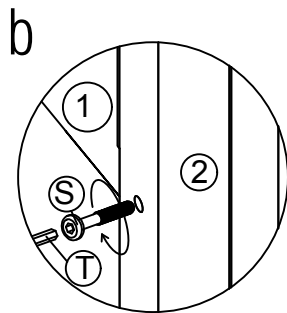
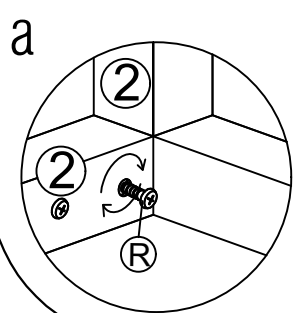
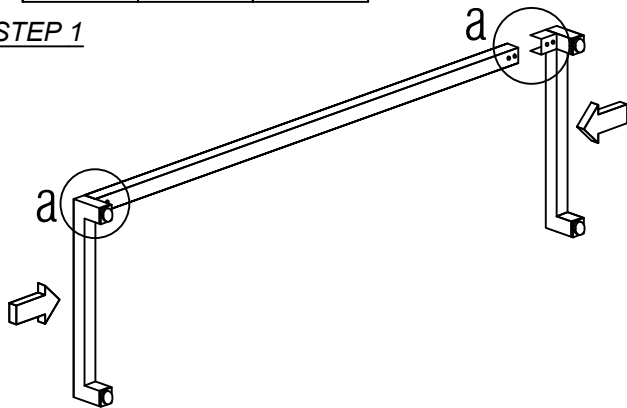
DRILL  
USE THIS POWER TOOL FOR  
ASSEMBLE THIS PRODUCT

HARDWARE PACKED AT MX2 2190L/R B					
<b>A</b>  Cam Pin 20 Pcs	<b>B</b>  Cam Lock 20 Pcs	<b>C</b>  Cap 20 Pcs	<b>D</b>  Shelf Support 8 Pcs	<b>E</b>  Push Lock 1 Set	<b>F</b>  M3.5 x 12 CSK Screw 2 Pcs

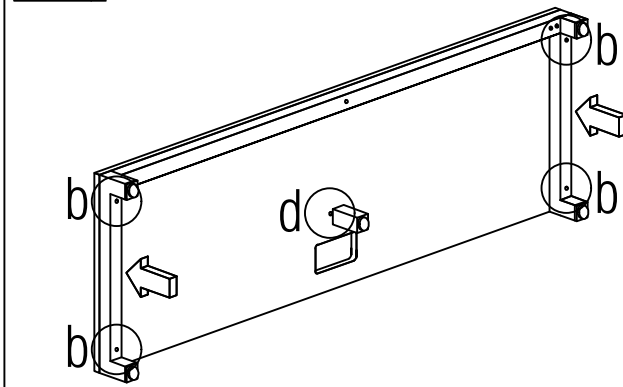
HARDWARE PACKED AT MX2 2190L/R A											
<b>G</b>  L-KEY 1 Pcs	<b>H</b>  JCBC M6X35MM 2 Pcs	<b>I</b>  FLAT WASHER 1/4 2 Pcs	<b>J</b>  #6 x 16mm P/H Cross Recess Screw 4 Pcs	<b>K</b>  Screw #3.5 x 20mm (BLK) 4 Pcs	<b>L</b>  Modesty Panel Bracket 2 Pcs	<b>M</b>  Adjustable Glide 3 Pcs	<b>N</b>  FLAT WASHER 5/16 4 Pcs	<b>O</b>  SPRING WASHER M8 4 Pcs	<b>P</b>  Hex Nut 4 Pcs	<b>Q</b>  Wrench (13MM) 1 Pcs	<b>R</b>  Support Leg 1 Pcs

HARDWARE PACKED AT MX2 MLB16060		
<b>S</b>  #6 x 16mm P/H Cross Recess Screw 4 Pcs	<b>T</b>  JCBC M6X50 4 Pcs	<b>U</b>  L-KEY 1 Pcs

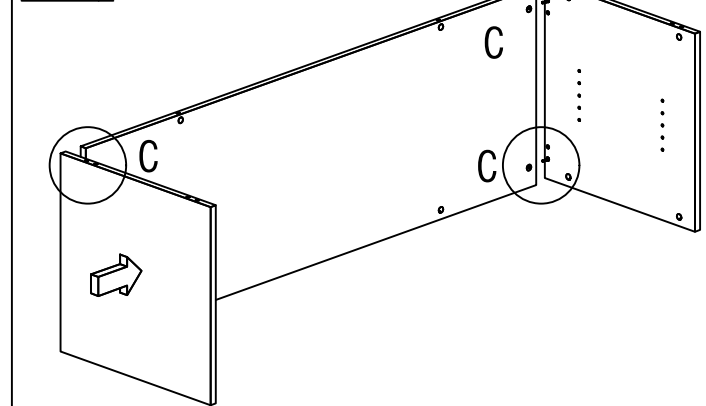
### STEP 1



### STEP 2



### STEP 3

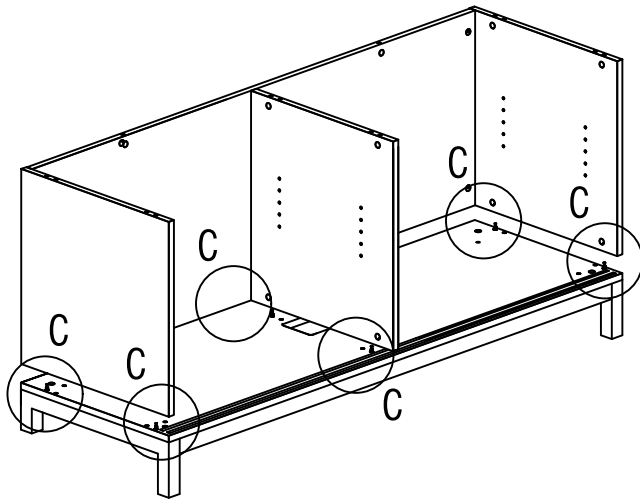


# Assembly Instructions

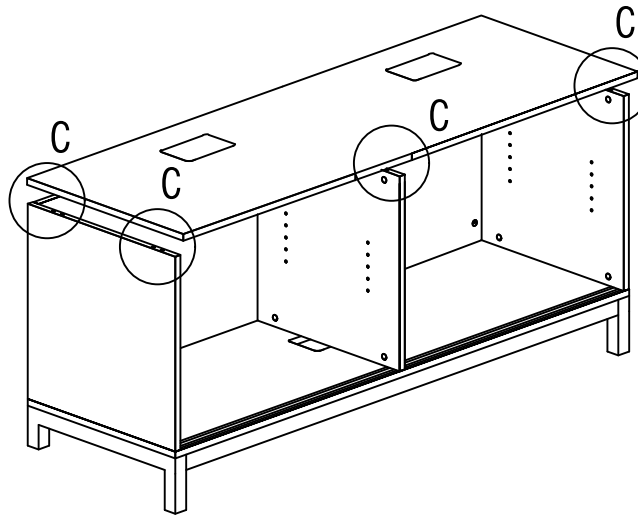
## Contrasts Rustic Executive L Desk

Questions?  
Call Customer Service at  
1-800-443-5117, Mon-Fri, 8:30 - 5PM Central Time  
or email at  
CustomerSvc@ModernOfficeFurniture.com

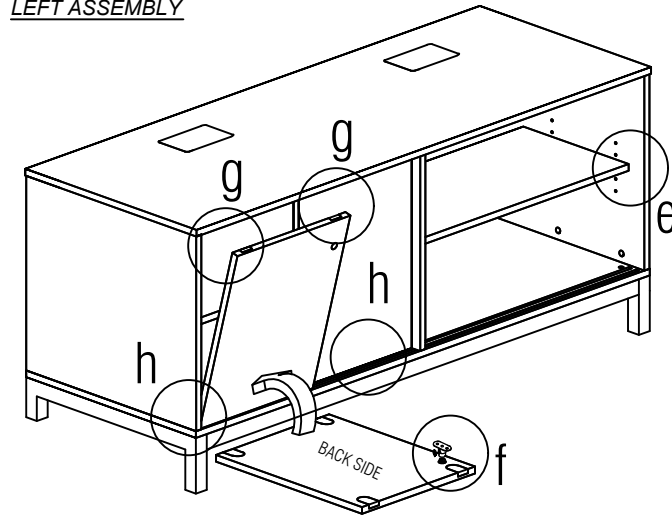
STEP 4



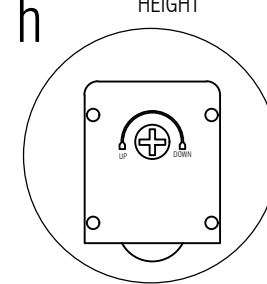
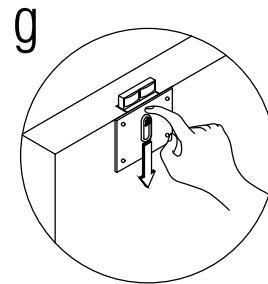
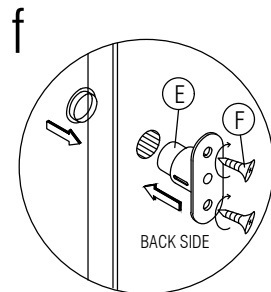
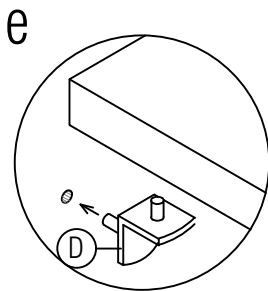
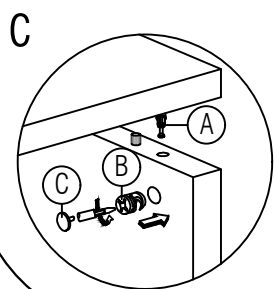
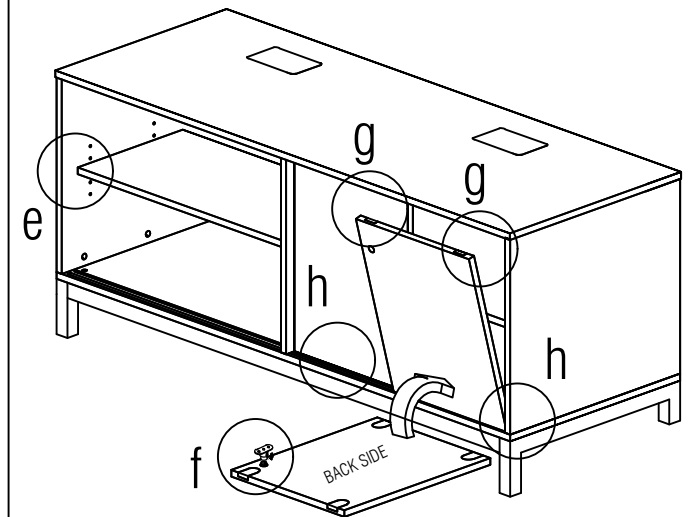
STEP 5



STEP 6  
LEFT ASSEMBLY

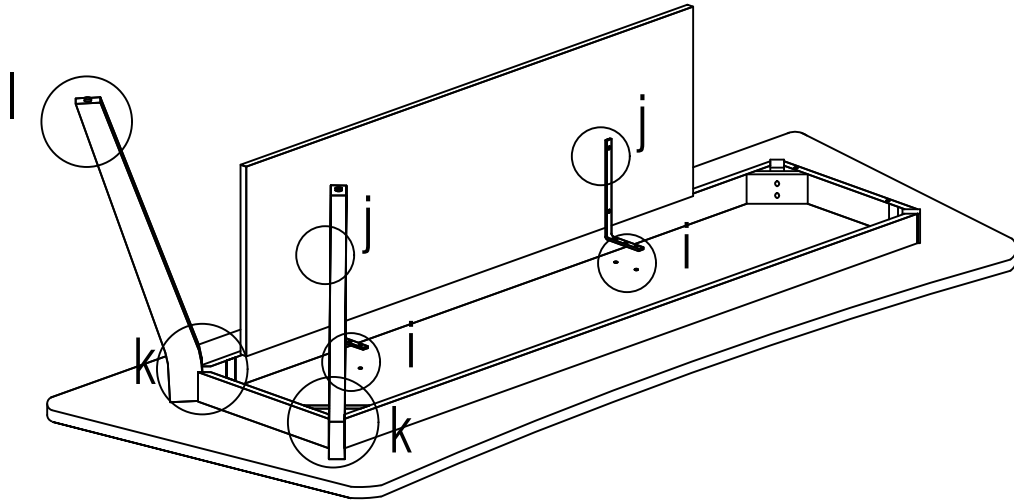


STEP 6  
RIGHT ASSEMBLY

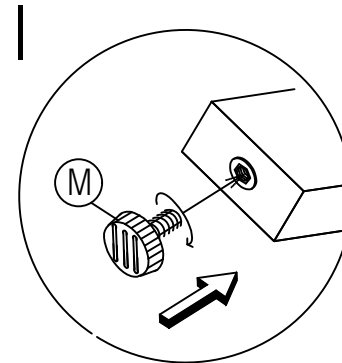
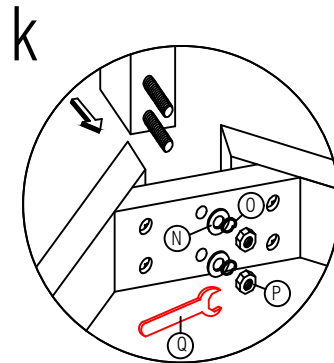
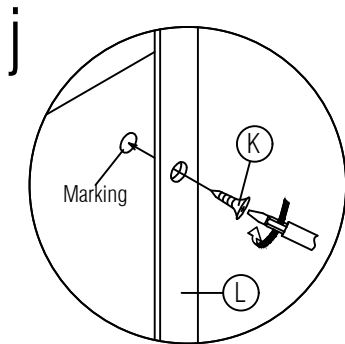
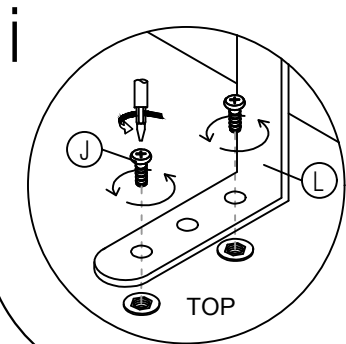
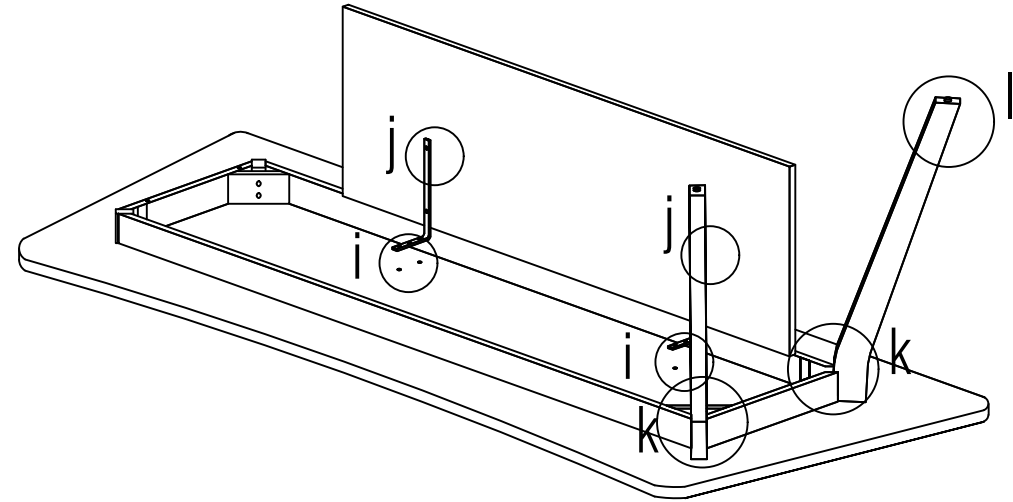


ROTATE CLOCKWISE TO  
INCREASE ROLLER HEIGHT  
ROTATE ANTI-CLOCKWISE  
TO DECREASE ROLLER  
HEIGHT

STEP 7  
LEFT ASSEMBLY



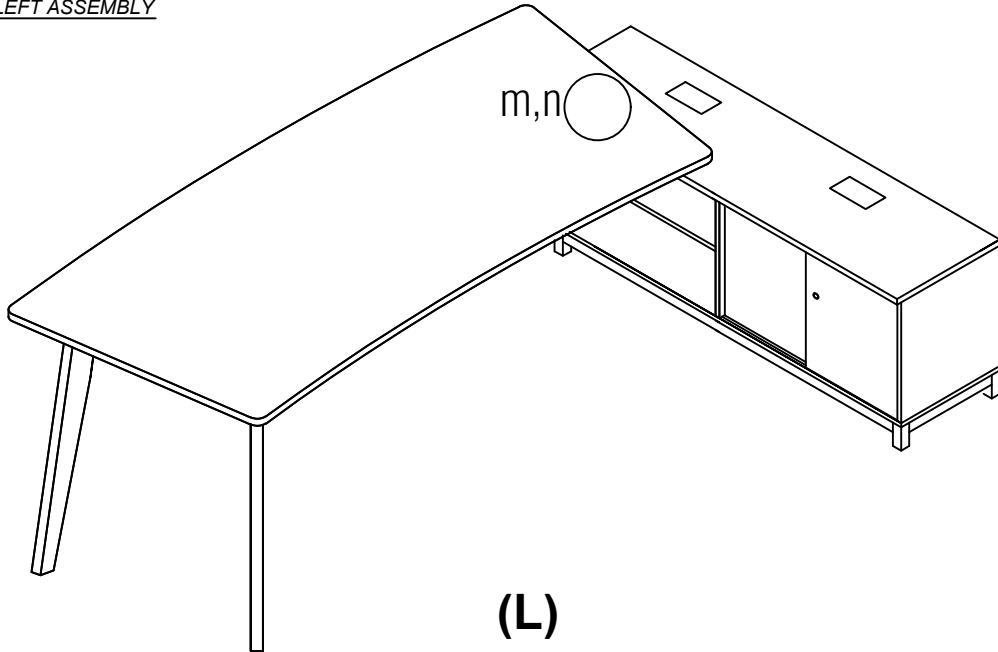
STEP 7  
RIGHT ASSEMBLY



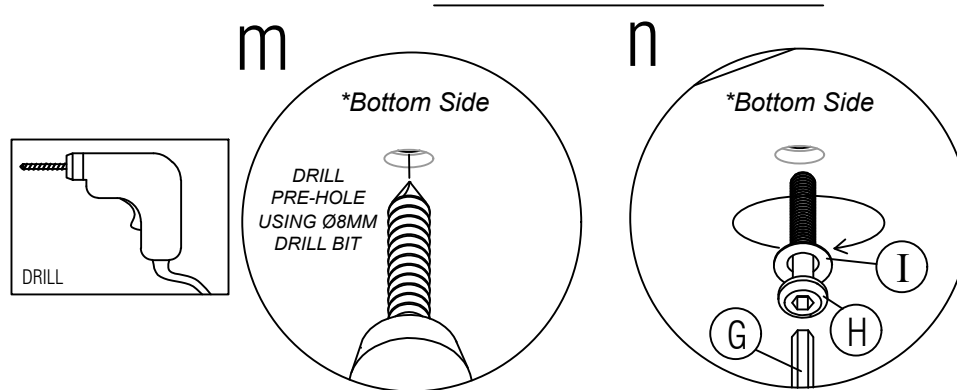
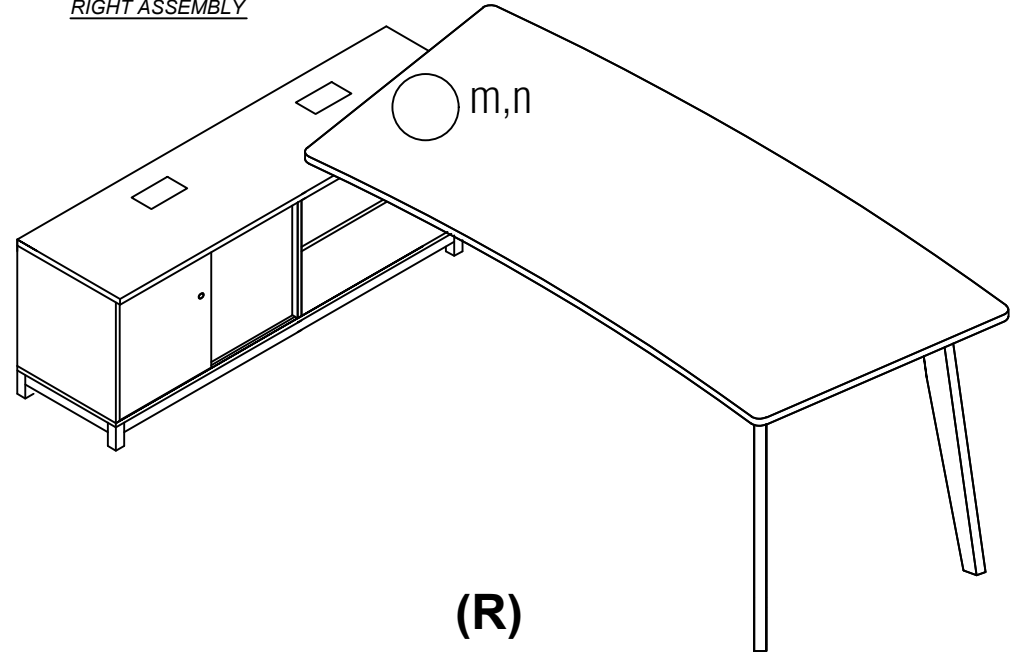
# Assembly Instructions

## Contrasts Rustic Executive L Desk

STEP 8  
LEFT ASSEMBLY









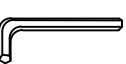


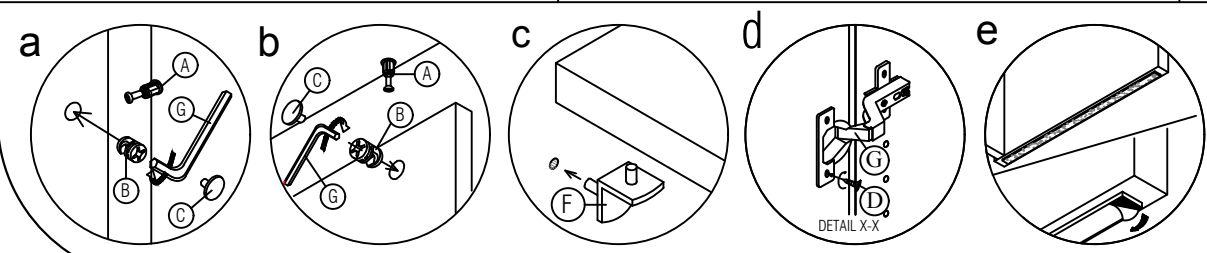
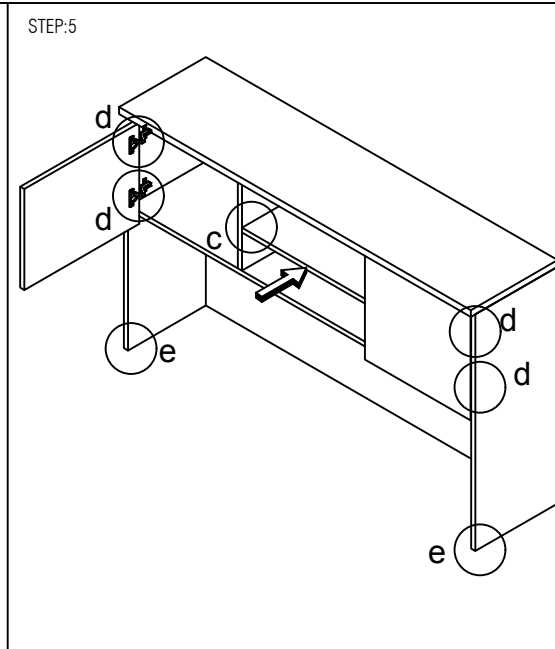
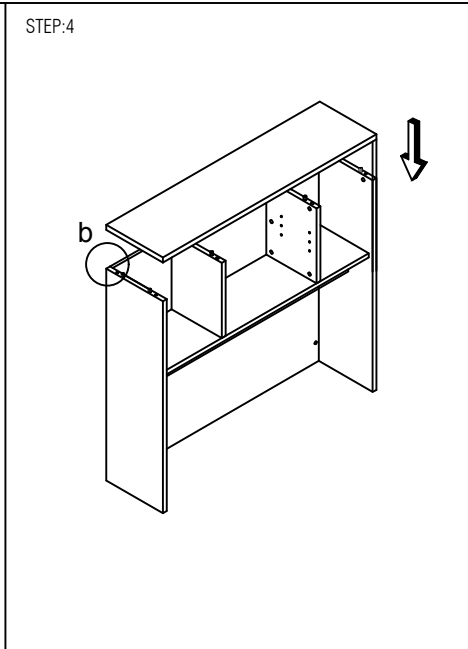
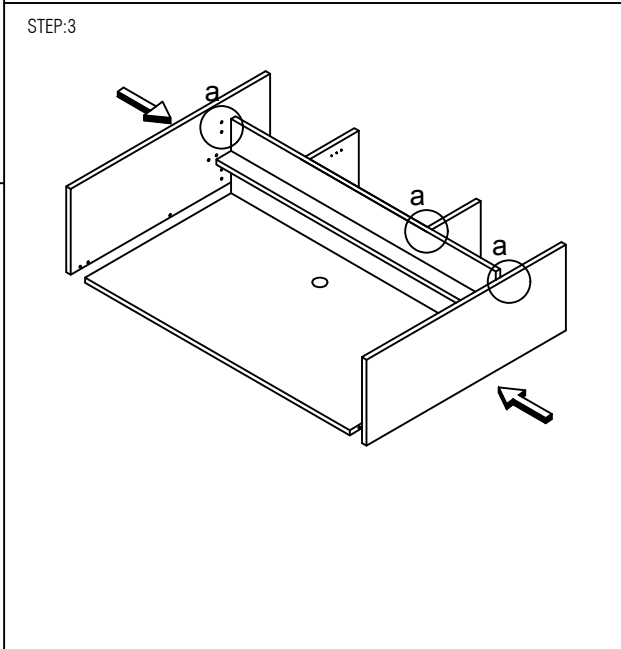
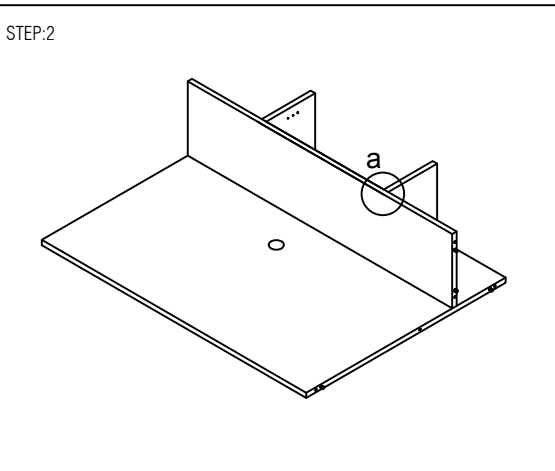
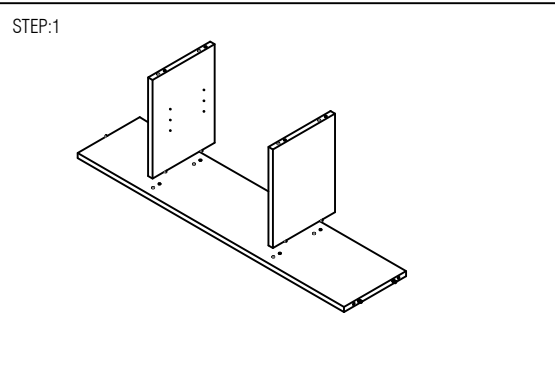
STEP 8  
RIGHT ASSEMBLY



Assemble on cardboard or carpet for protection during assembly. 2-person assembly team suggested.

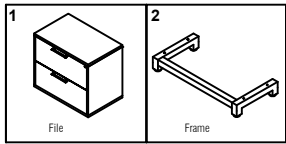
### HARDWARE

<p><b>A</b></p>  <p>Cam Pin 27 Pcs</p>	<p><b>B</b></p>  <p>Cam Lock 27 Pcs</p>	<p><b>C</b></p>  <p>Cap 27 Pcs</p>	<p><b>D</b></p>  <p>Screw #3.5 x 16mm 24 Pcs</p>	<p><b>E</b></p>  <p>Screw #6X5/8 CSK RATTAN 12 Pcs</p>	<p><b>F</b></p>  <p>Shelf Support 4 Pcs</p>	<p><b>G</b></p>  <p>Door Hinges 4 Pcs</p>	<p><b>H</b></p>  <p>L-Bracket 6 Hole 2 Pcs</p>	<p><b>I</b></p>  <p>Allen-Key 1 Pc</p>
---	--	---	---	---	--	--	---	---

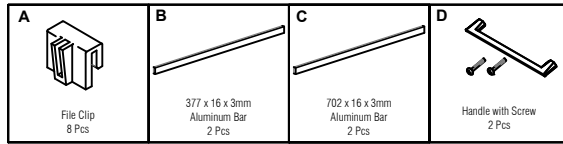


Assemble on cardboard or carpet for protection during assembly. 2-person assembly team suggested.

### PARTS

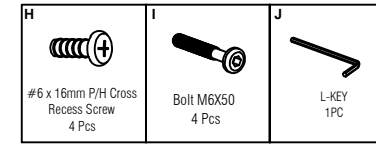


### HARDWARE



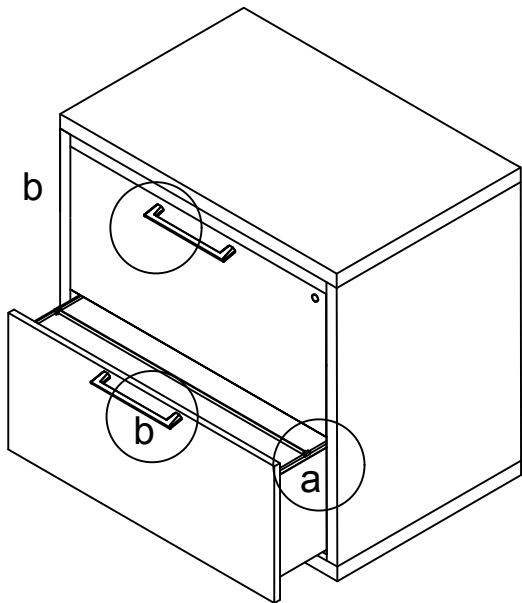
PACKED WITH MX2 LF2D(A)

### HARDWARE

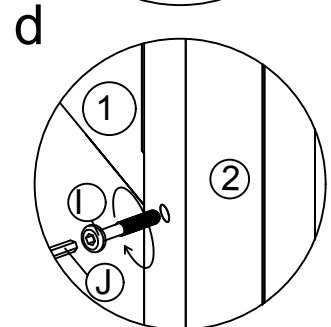
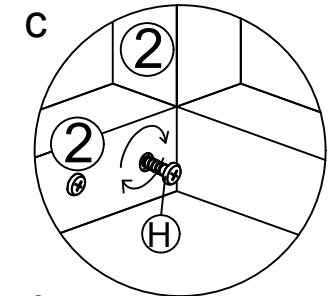
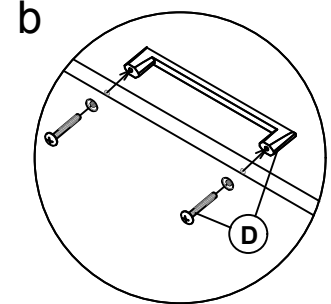
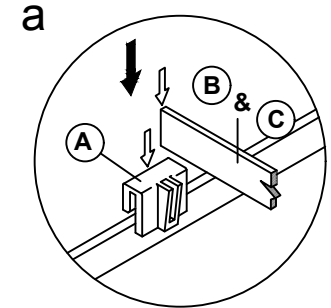
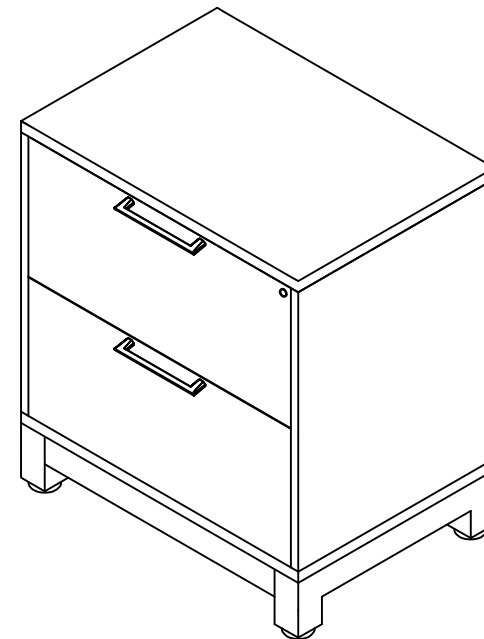
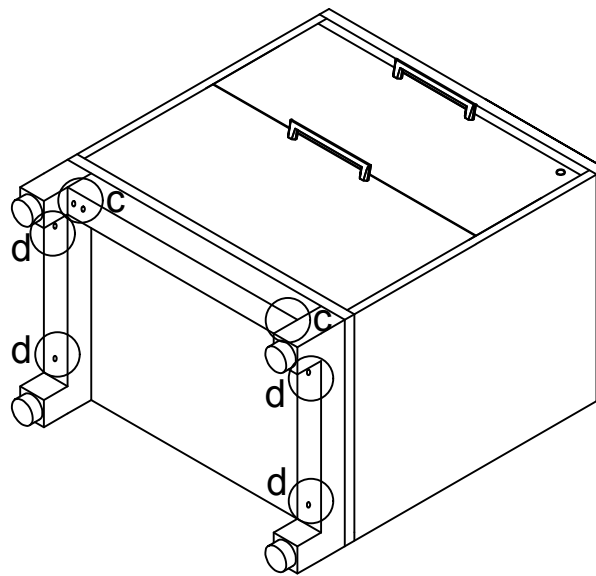


PACKED WITH MX2 MLB8060

### STEP 1



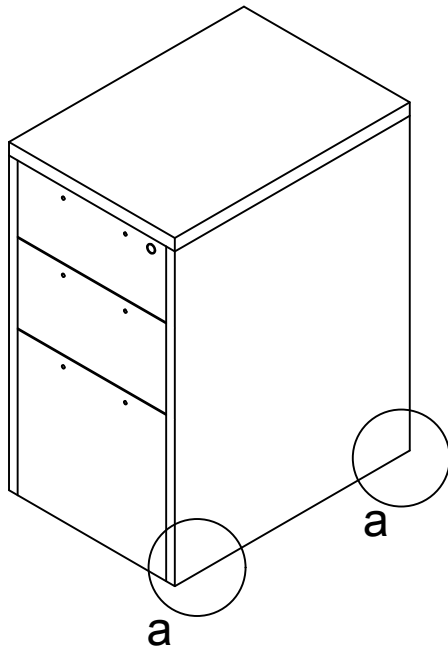
### STEP 2



Assemble on cardboard or carpet for protection during assembly.

<p><b>A</b></p> <p>50MM Plate Castor(W/O LOCK) 3 Pcs</p>	<p><b>B</b></p> <p>50MM Plate Castor(W LOCK) 2 Pcs</p>	<p><b>C</b></p> <p>Screw #3.5 x 16mm 20 Pcs</p>	<p><b>D</b></p> <p>File Clip 2 Pcs</p>	<p><b>E</b></p> <p>302 x 16 x 3mm Aluminum Bar 1 Pc</p>	<p><b>F</b></p> <p>Handle with Screw 3 Pcs</p>
--	--	---	--	---	--

**STEP 1**



**STEP 2**

