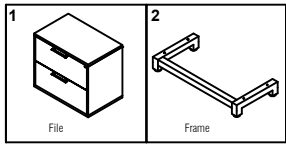
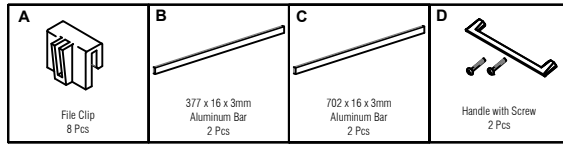


Assemble on cardboard or carpet for protection during assembly. 2-person assembly team suggested.

PARTS

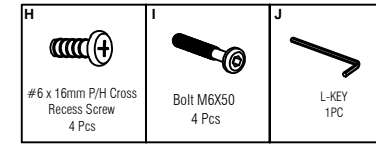


HARDWARE



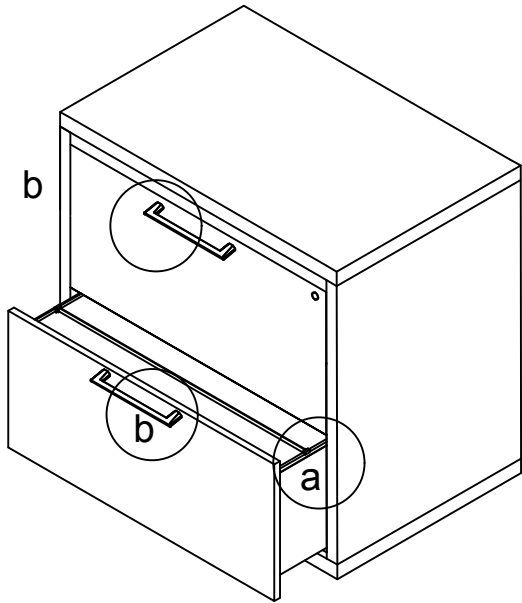
PACKED WITH MX2 LF2D(A)

HARDWARE

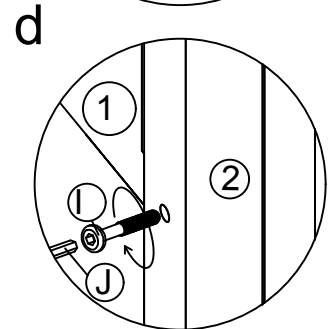
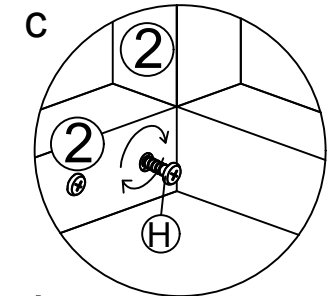
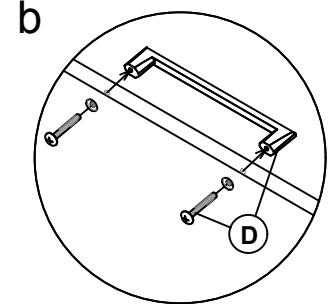
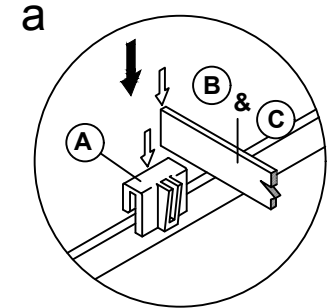
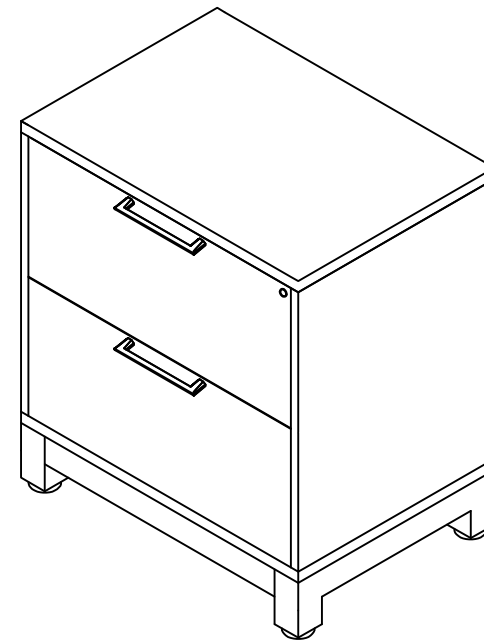
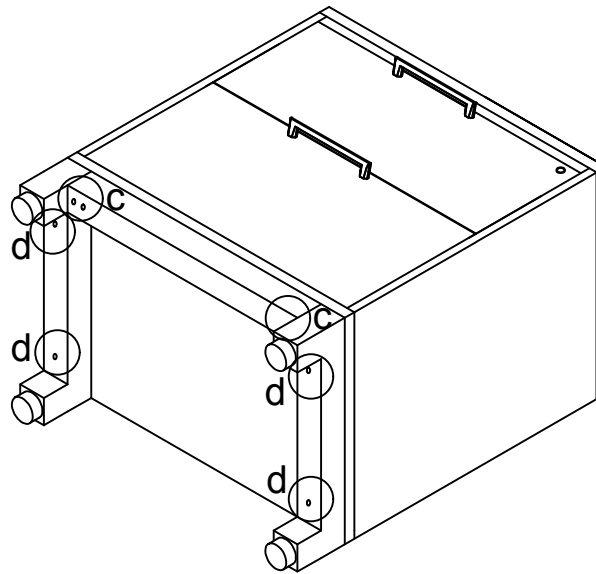


PACKED WITH MX2 MLB8060

STEP 1









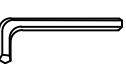


STEP 2



Assemble on cardboard or carpet for protection during assembly. 2-person assembly team suggested.

HARDWARE

<p>A</p>  <p>Cam Pin 27 Pcs</p>	<p>B</p>  <p>Cam Lock 27 Pcs</p>	<p>C</p>  <p>Cap 27 Pcs</p>	<p>D</p>  <p>Screw #3.5 x 16mm 24 Pcs</p>	<p>E</p>  <p>Screw #6X5/8 CSK RATTAN 12 Pcs</p>	<p>F</p>  <p>Shelf Support 4 Pcs</p>	<p>G</p>  <p>Door Hinges 4 Pcs</p>	<p>H</p>  <p>L-Bracket 6 Hole 2 Pcs</p>	<p>I</p>  <p>Allen-Key 1 Pc</p>
---	--	---	---	---	--	--	---	---

