

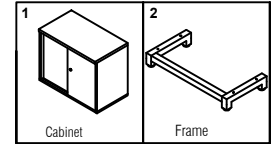
Assembly Instructions

Contrasts Rustic Sliding Door Cabinet

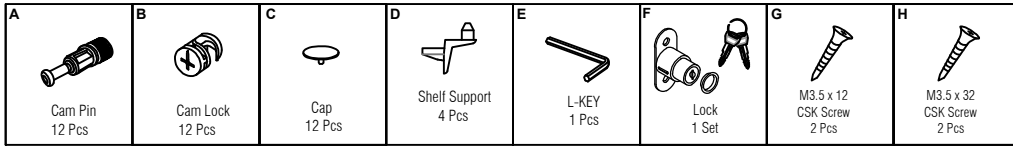
Questions?
Call Customer Service at
1-800-443-5117, Mon-Fri, 8:30 - 5PM Central Time
or email at
CustomerSvc@ModernOfficeFurniture.com

Assemble on cardboard or carpet for protection during assembly. 2-person assembly team suggested.

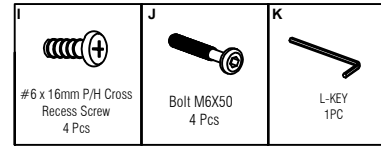
COMPONENTS



HARDWARE

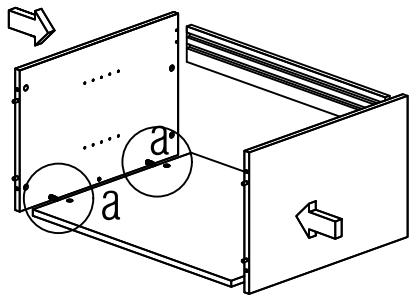


PACKED WITH MX2 LCS750

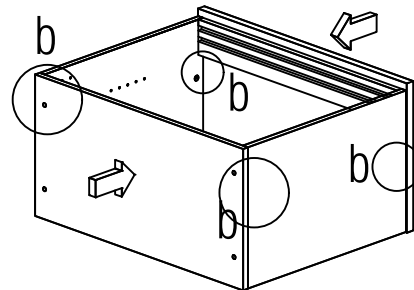


PACKED WITH MX2 MLB8042

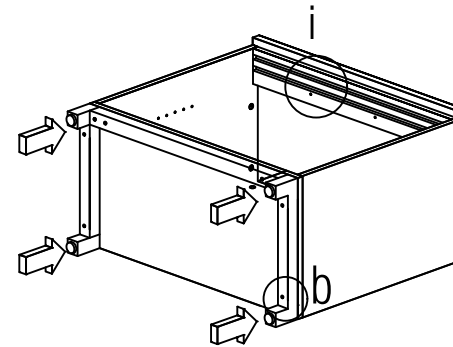
STEP 1



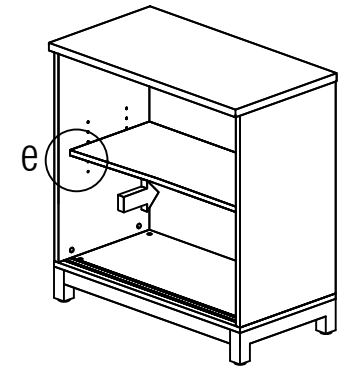
STEP 2



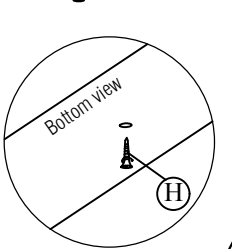
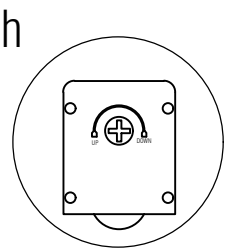
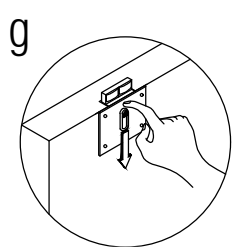
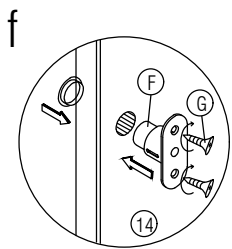
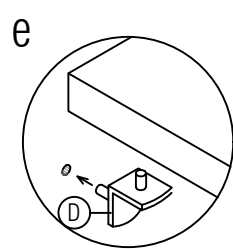
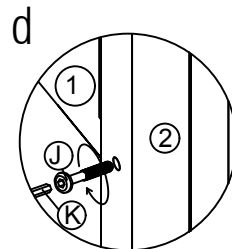
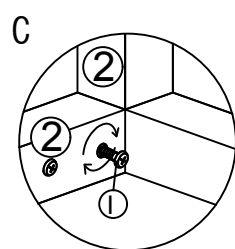
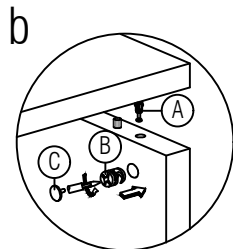
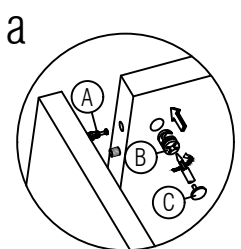
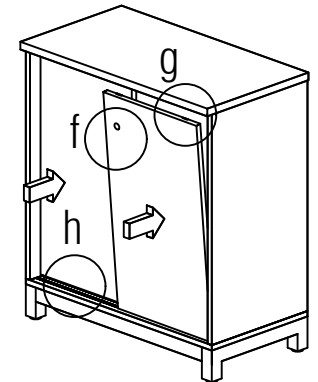
STEP 3



STEP 4

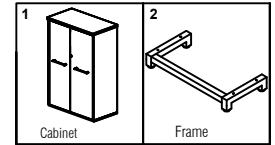


STEP 5

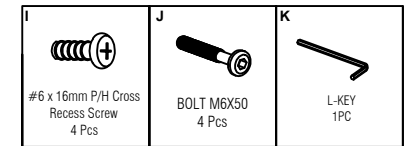
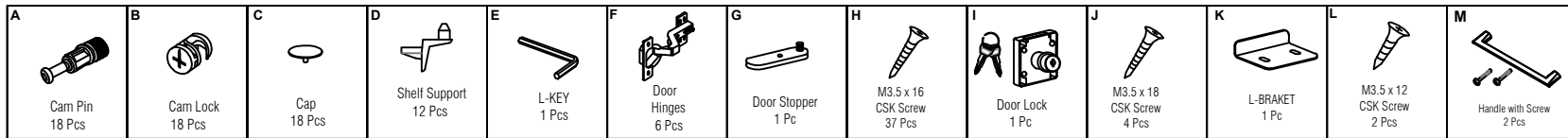


Assemble on cardboard or carpet for protection during assembly. 2-person assembly team suggested.

COMPONENTS



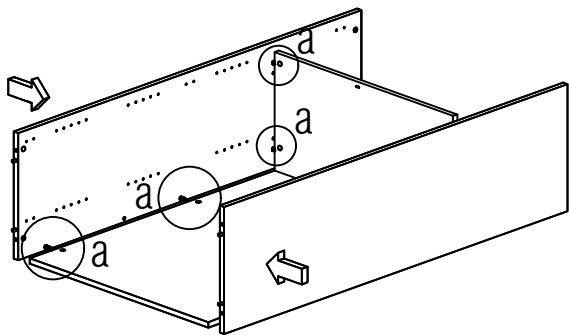
HARDWARE



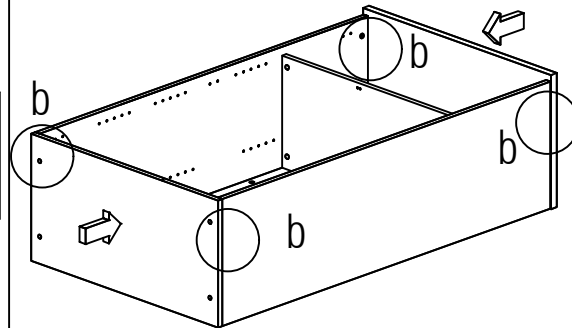
PACKED WITH MX2 HC1865

PACKED WITH MX2 MLB8042

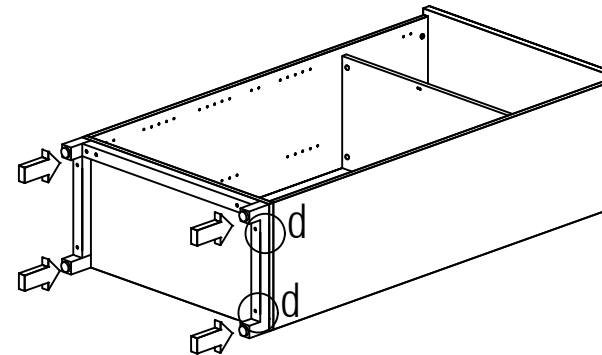
STEP 1



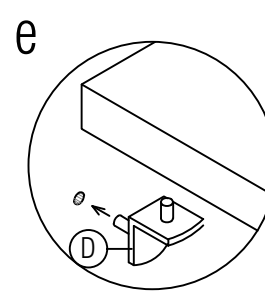
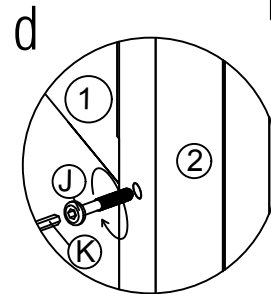
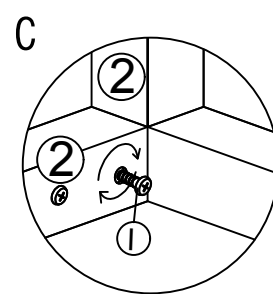
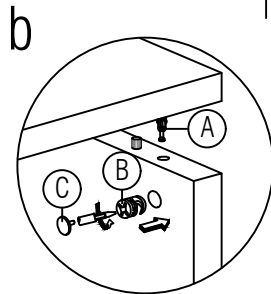
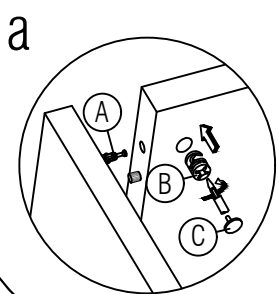
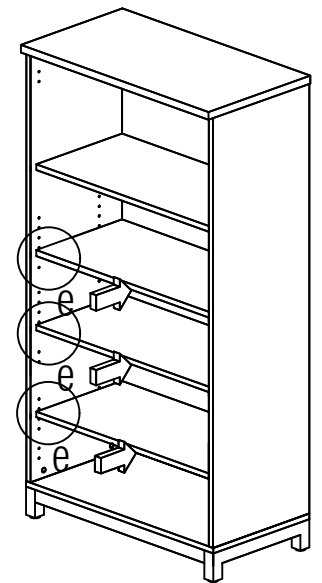
STEP 2

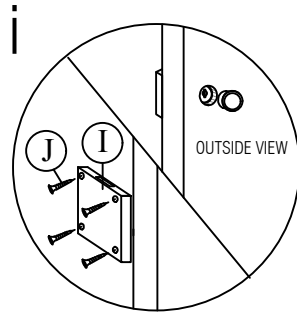
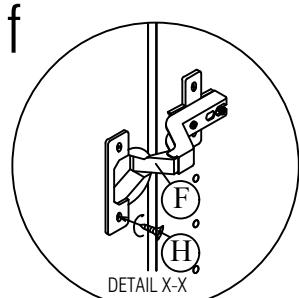


STEP 3

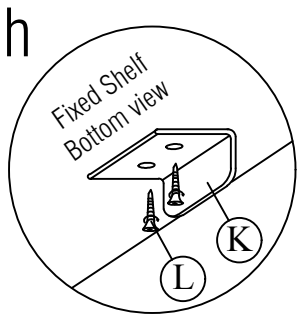
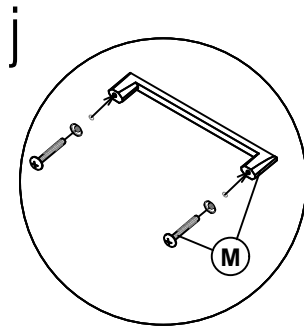
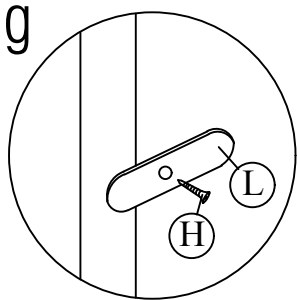


STEP 4

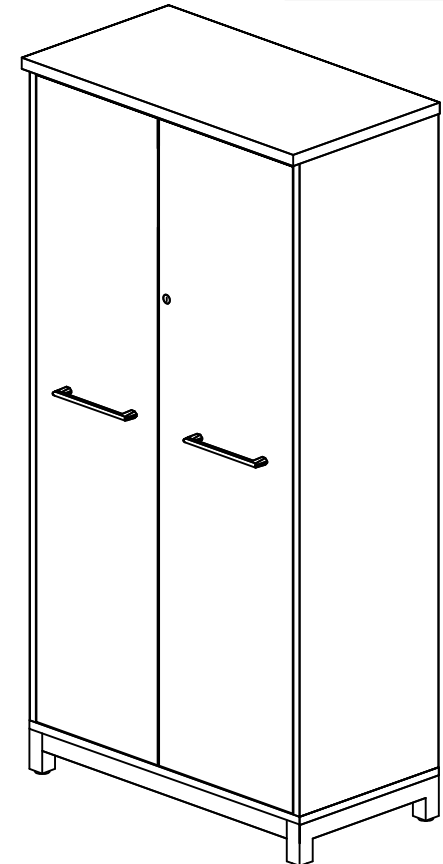
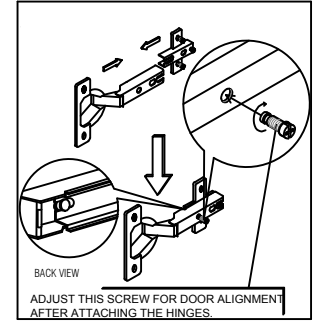
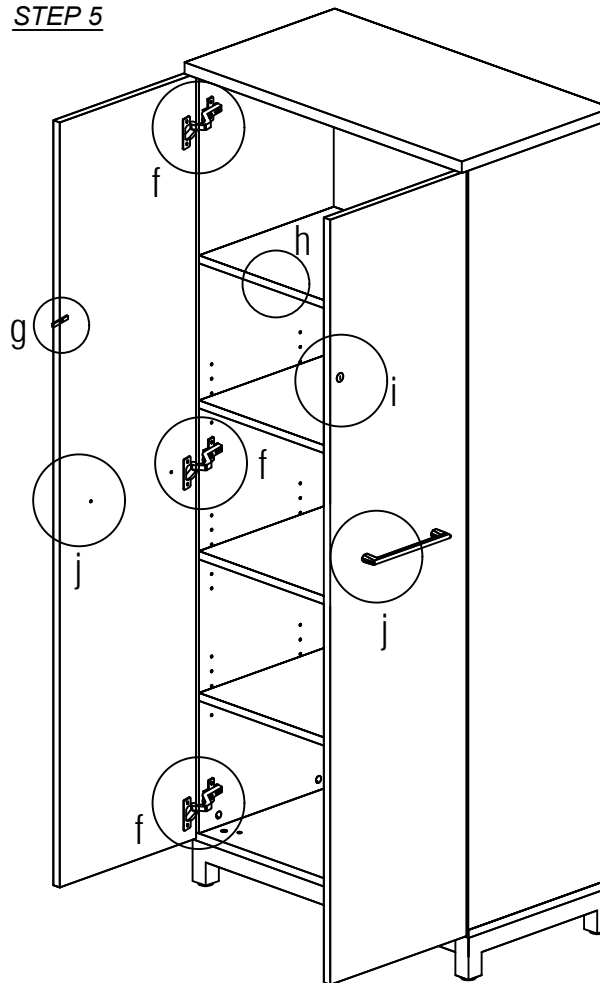




* ADJUST THIS BRACKET FOR ALIGNMENT THE LOCK AFTER ATTACHING THE DOOR.



STEP 5



COMPLETED ASSEMBLY