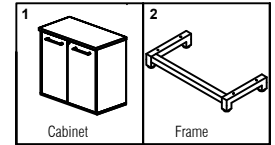
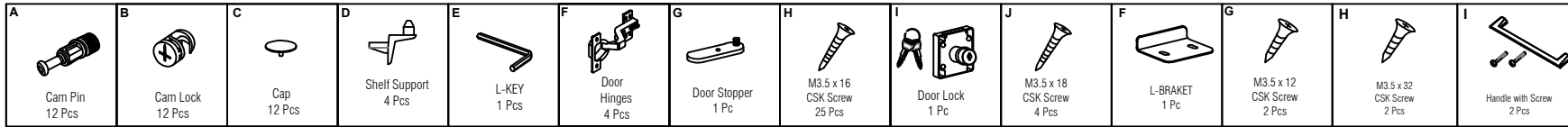


Assemble on cardboard or carpet for protection during assembly. 2-person assembly team suggested.

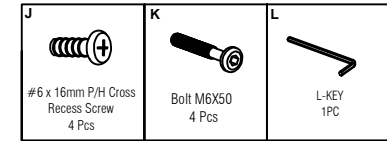
COMPONENTS



HARDWARE

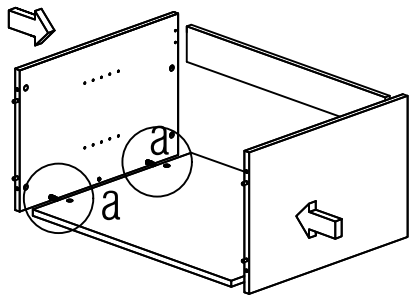


PACKED WITH MX2 LCS750

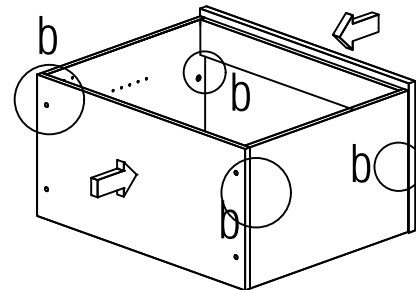


PACKED WITH MX2 MLB8042

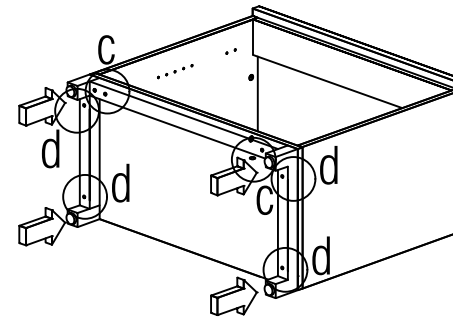
STEP 1



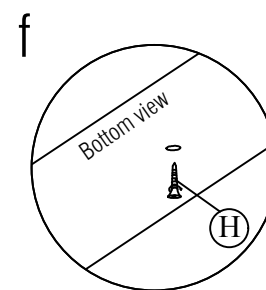
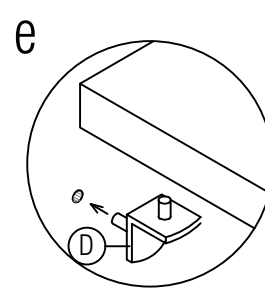
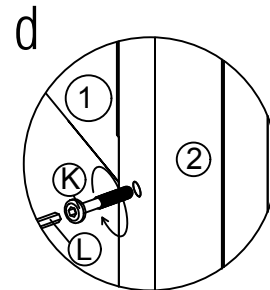
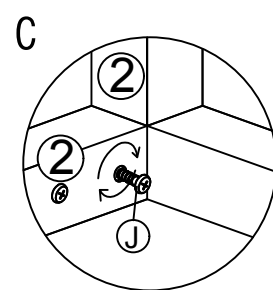
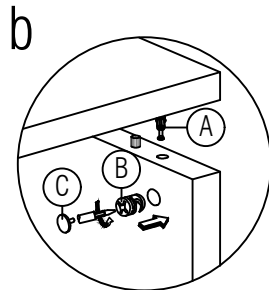
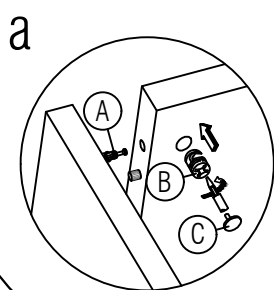
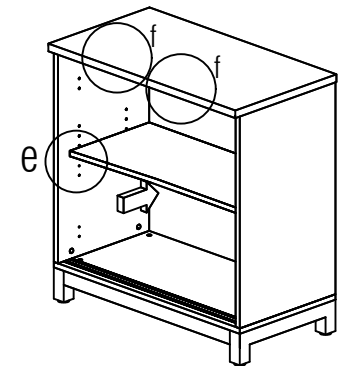
STEP 2

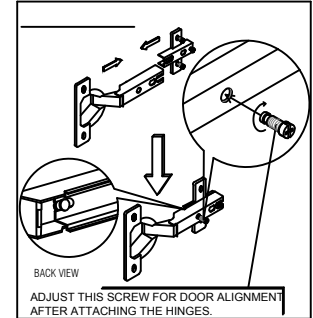
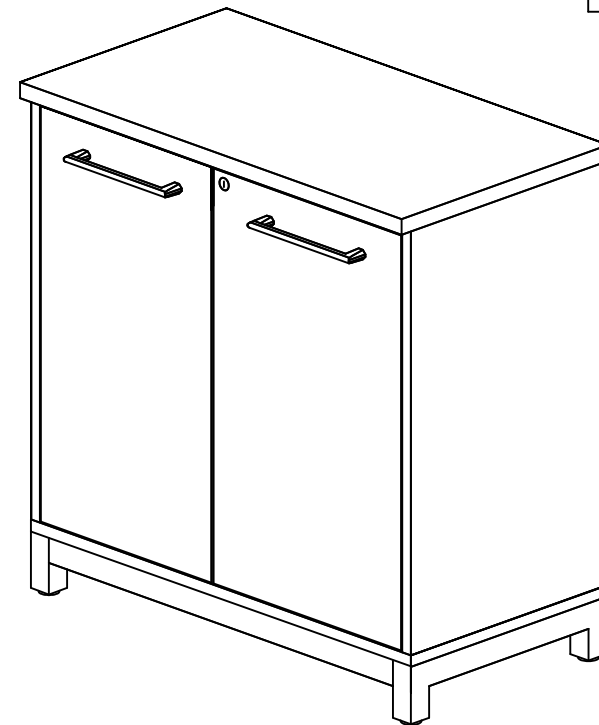
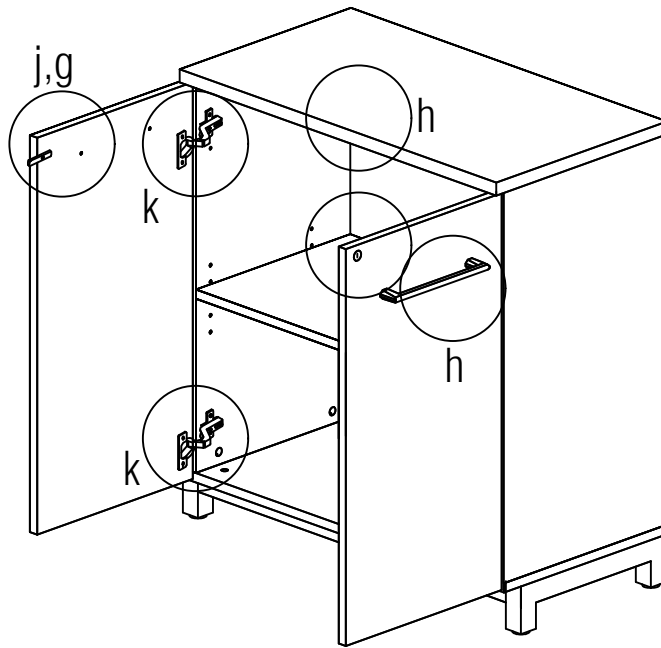
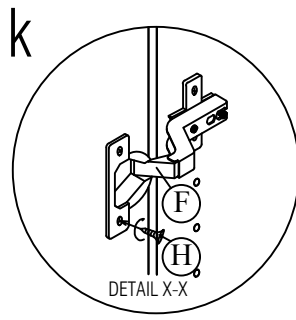
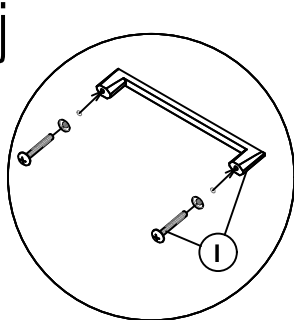
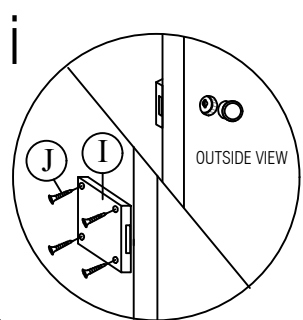
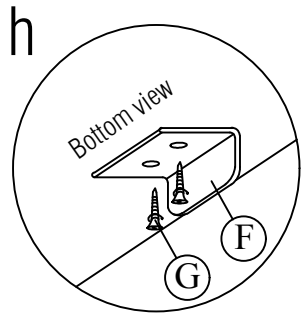
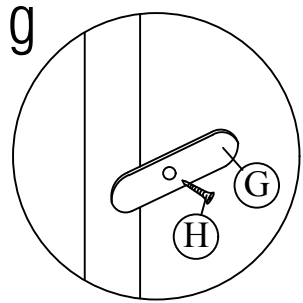


STEP 3



STEP 4

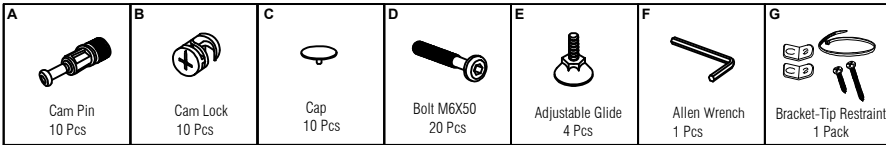




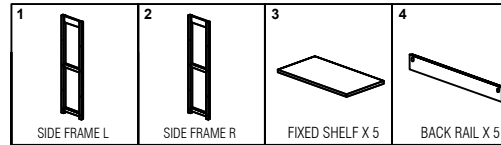
* ADJUST THIS BRACKET FOR ALIGNMENT THE LOCK AFTER ATTACHING THE DOOR.

Assemble on cardboard or carpet for protection during assembly. 2-person assembly team suggested.

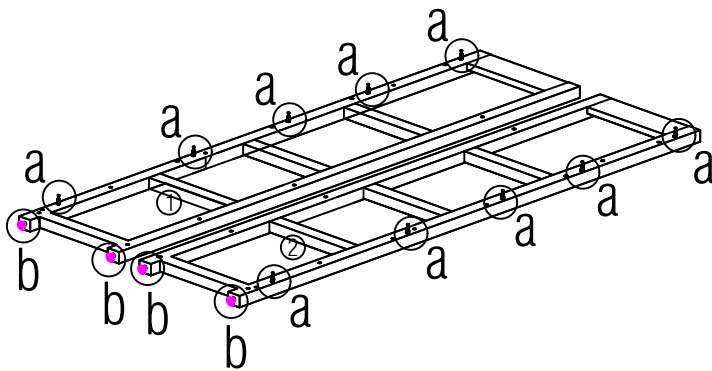
HARDWARE



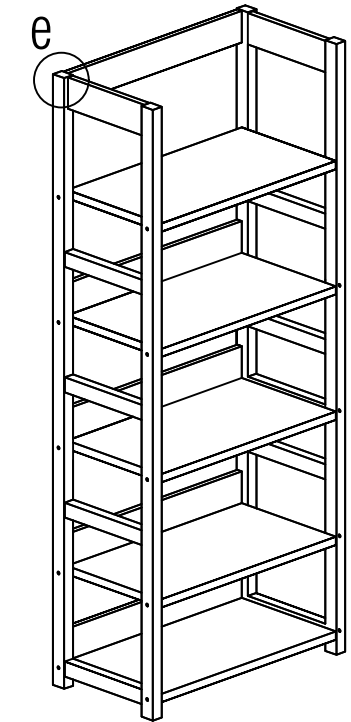
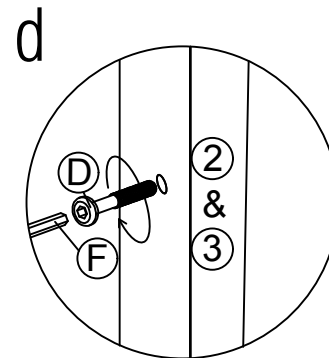
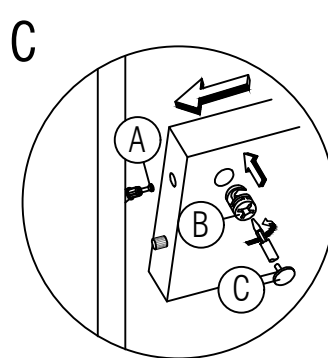
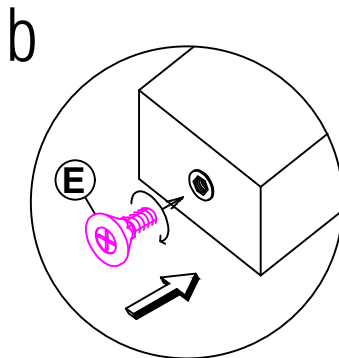
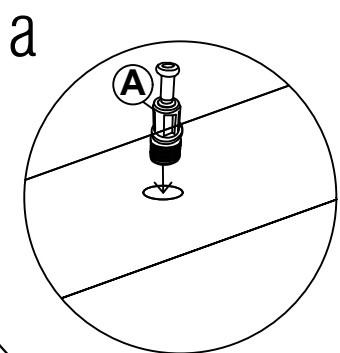
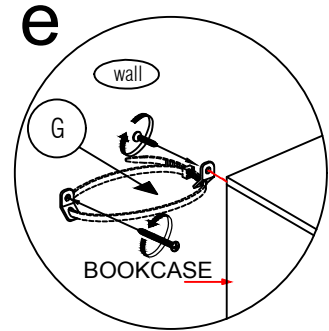
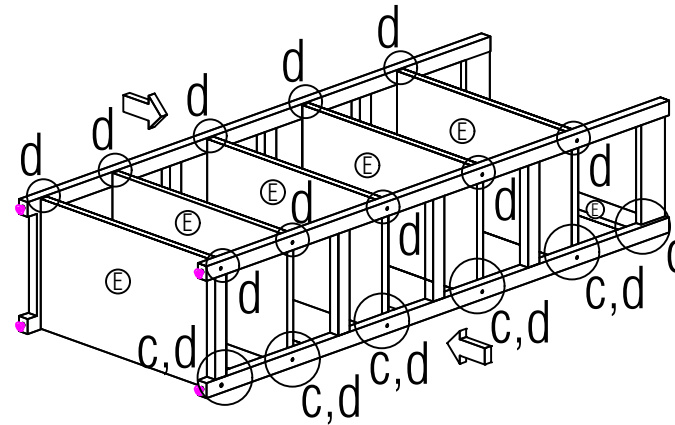
PANELS



STEP 1



STEP 2



COMPLETED ASSEMBLY