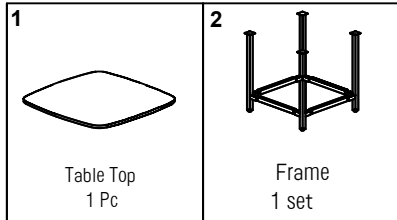
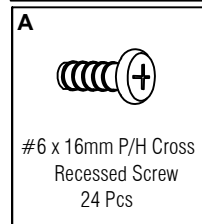


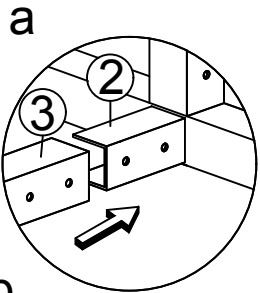
**PARTS**



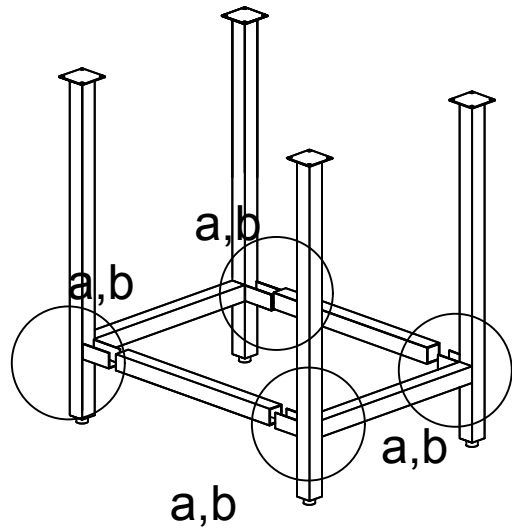
**HARDWARE**



**PACKED WITH MX HML5501015**



STEP 1



STEP 2

