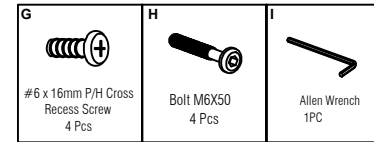
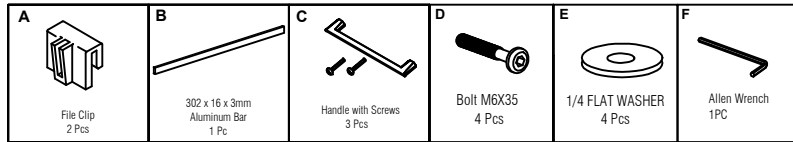
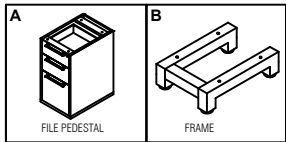


Assemble on cardboard or carpet for protection during assembly. 2-person assembly team suggested.

COMPONENTS

HARDWARE

HARDWARE

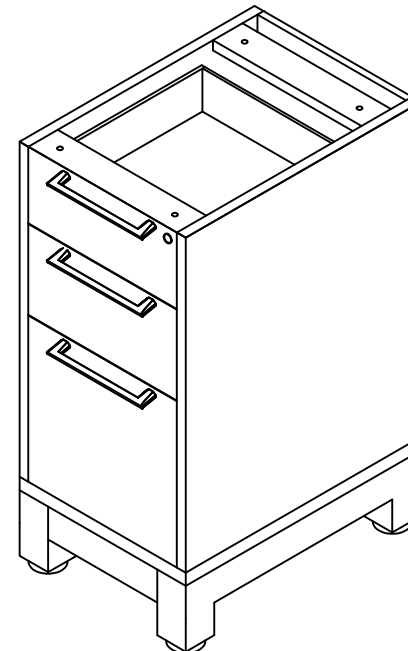
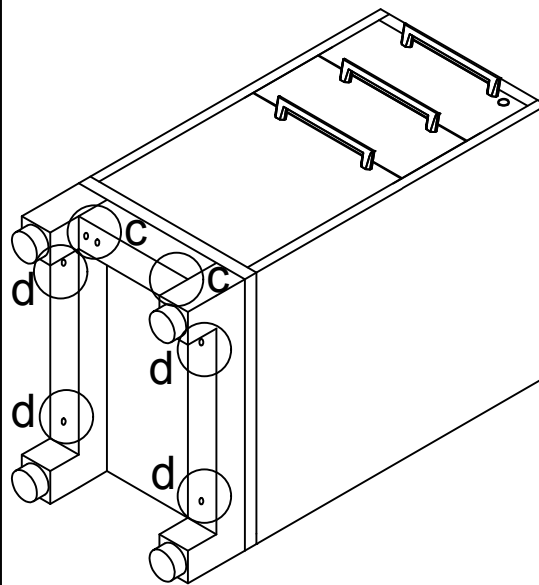
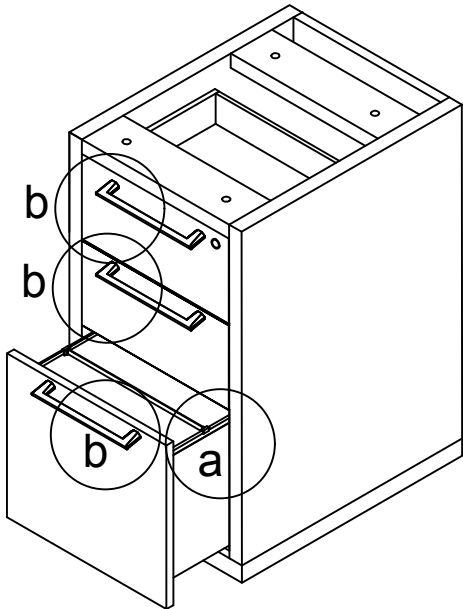


PACKED WITH MX2 FP(A)

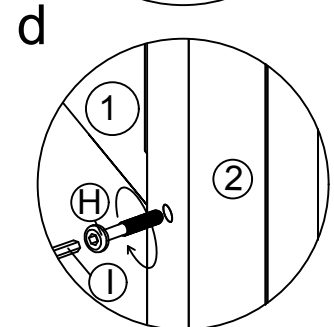
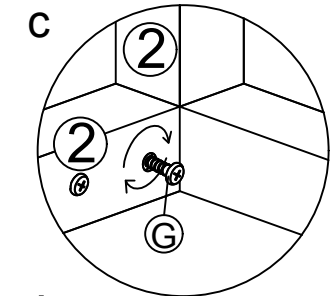
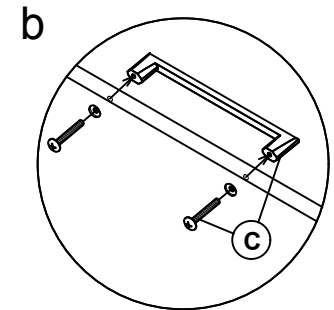
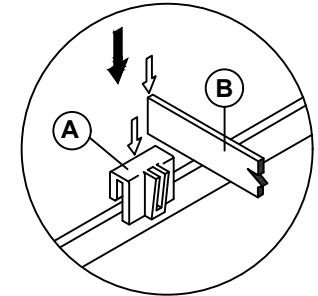
PACKED WITH MX2 MLB4070

STEP 1

STEP 2

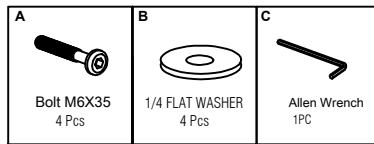
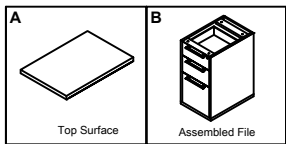


COMPLETED ASSEMBLY



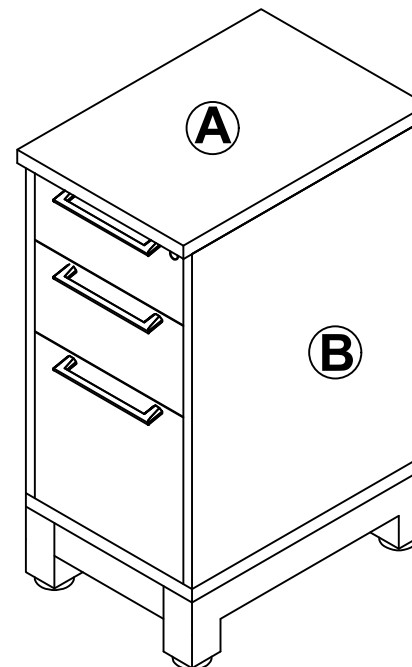
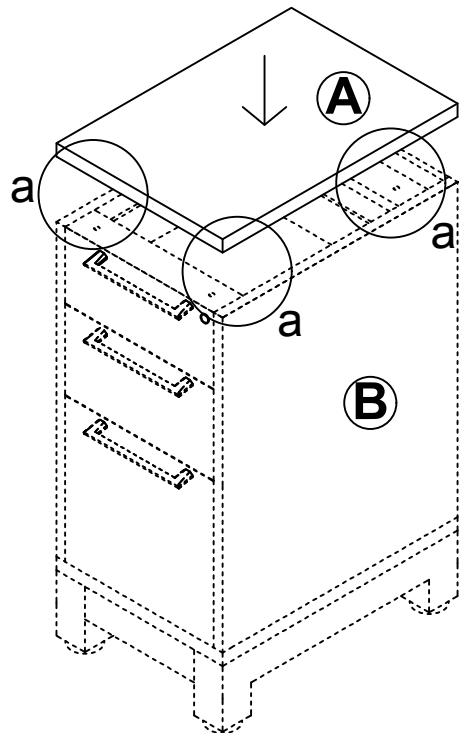
PARTS

HARDWARE



PACKED WITH MX2 FP(A)

STEP 1



COMPLETED ASSEMBLY

