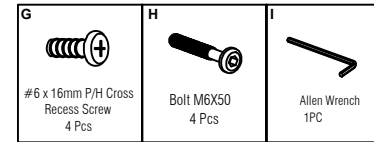
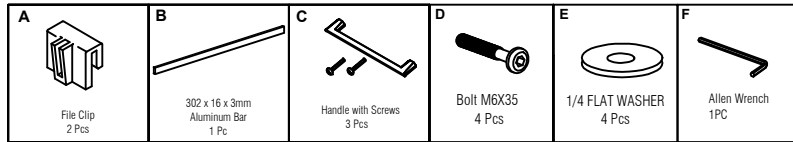
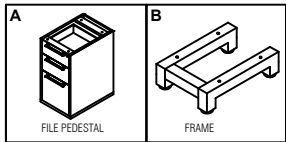


Assemble on cardboard or carpet for protection during assembly. 2-person assembly team suggested.

COMPONENTS

HARDWARE

HARDWARE

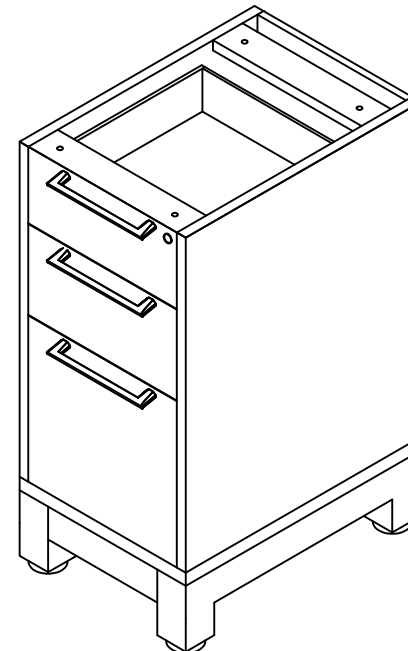
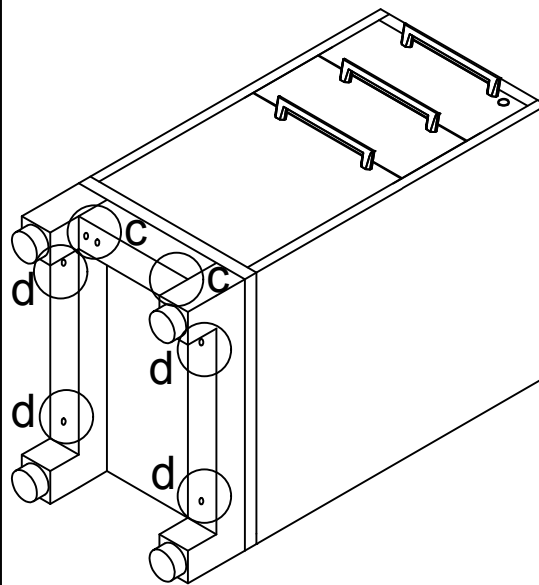
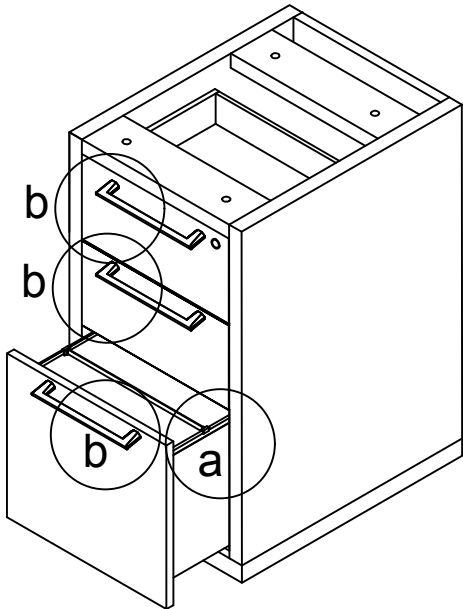


PACKED WITH MX2 FP(A)

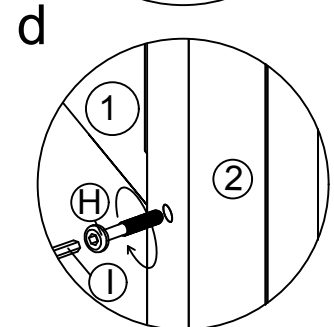
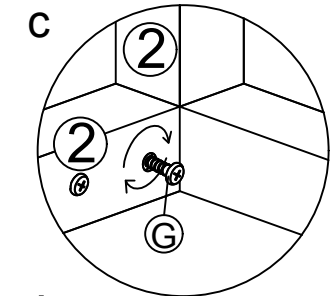
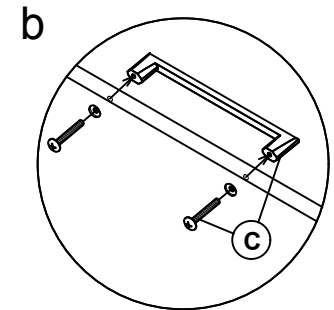
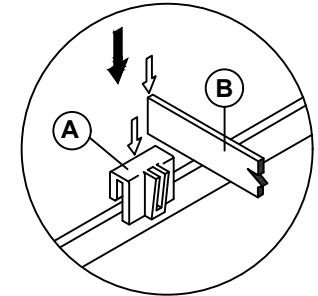
PACKED WITH MX2 MLB4070

STEP 1

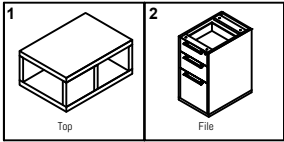
STEP 2



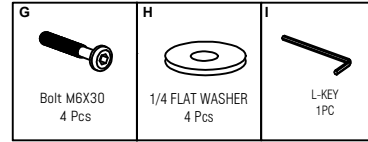
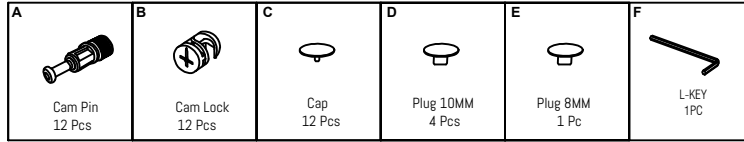
COMPLETED ASSEMBLY



PARTS

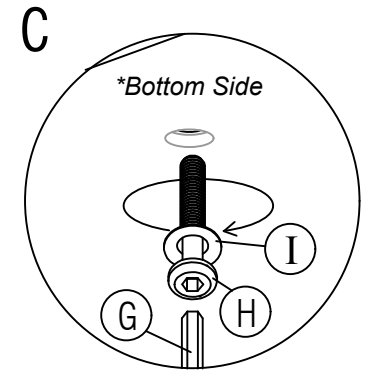
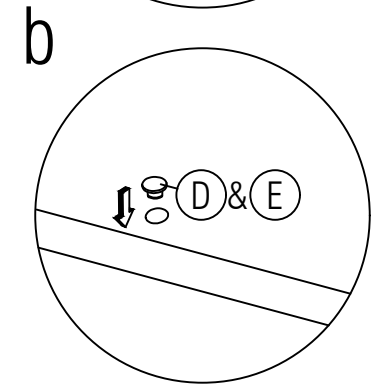
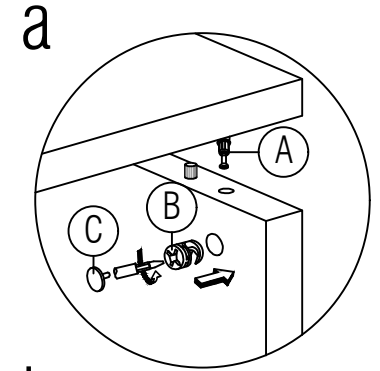


HARDWARE

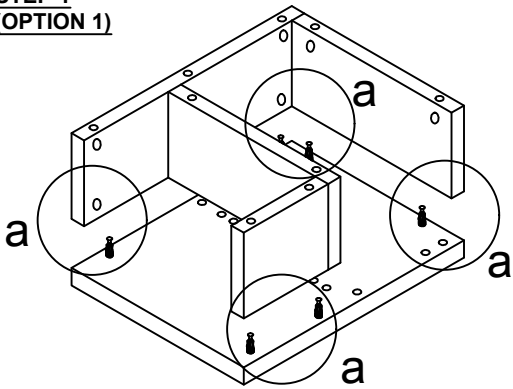


PACKED WITH MX2 OB

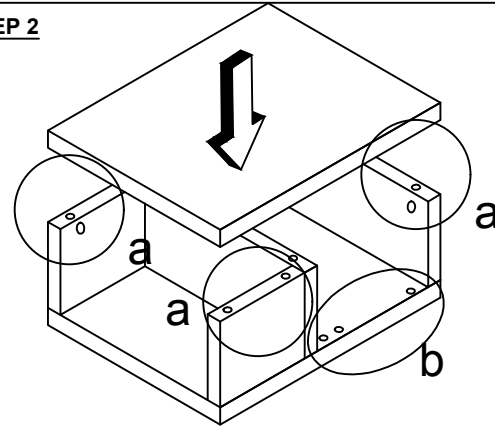
PACKED WITH MX2 FP



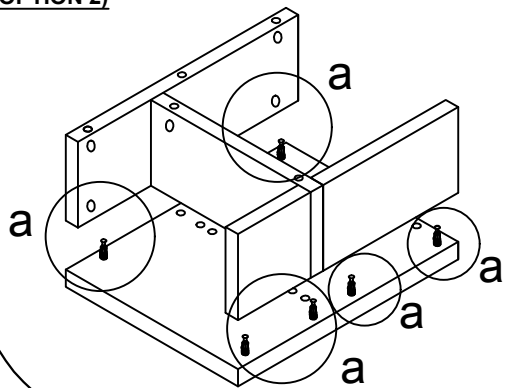
STEP 1 (OPTION 1)



STEP 2



STEP 1 (OPTION 2)



STEP 2

