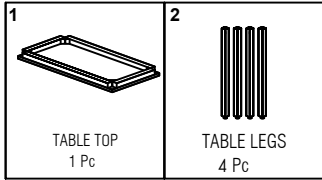
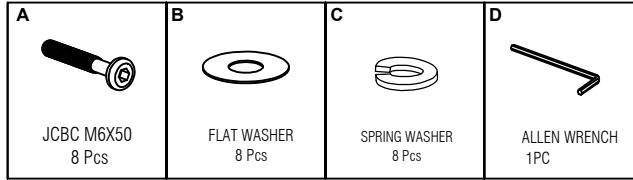


Assemble on cardboard or carpet for protection. 2-person assembly team suggested.

PARTS



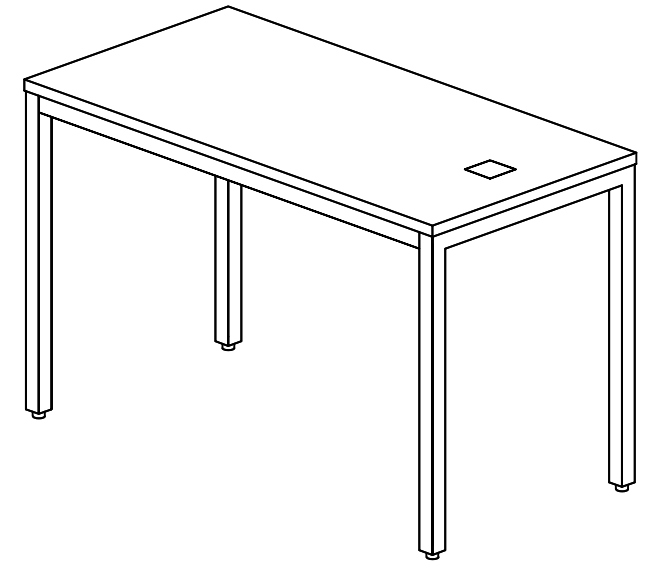
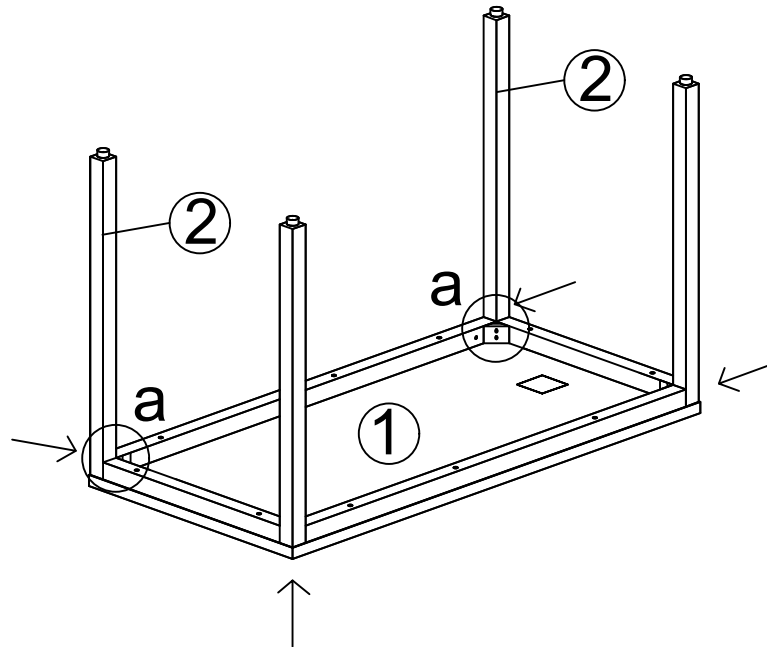
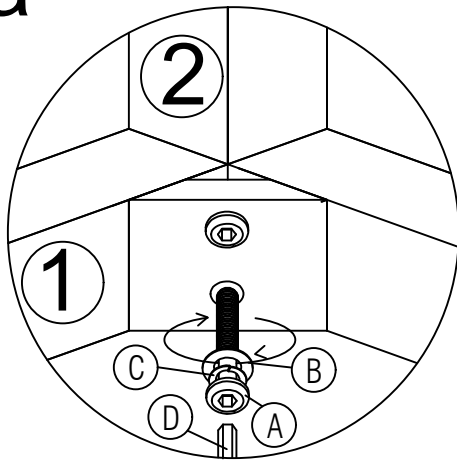
HARDWARE

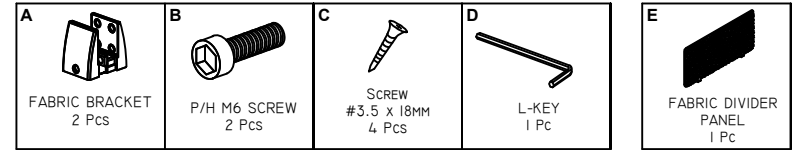


PACKED WITH MX2 ML725

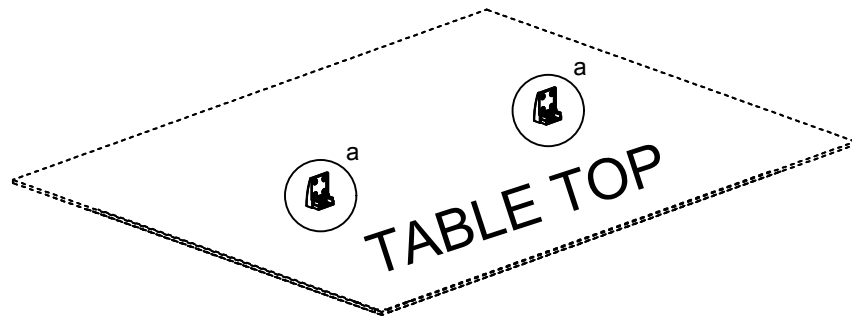
STEP 1:

a

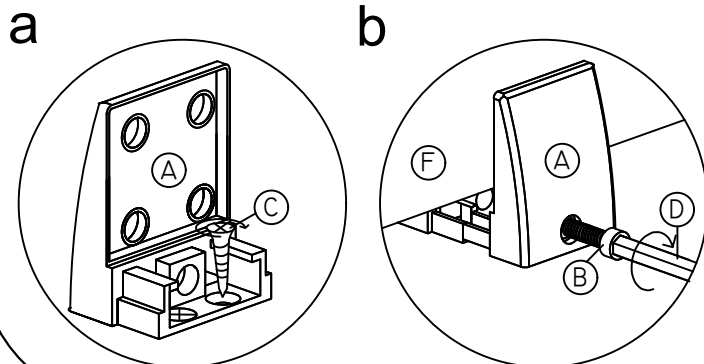
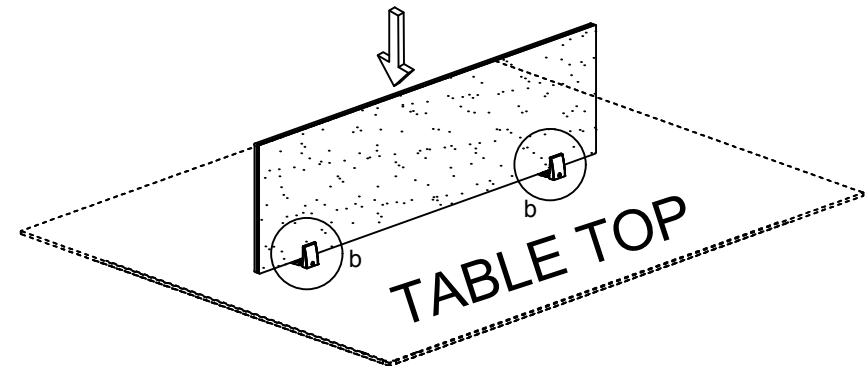




STEP:1



STEP:2

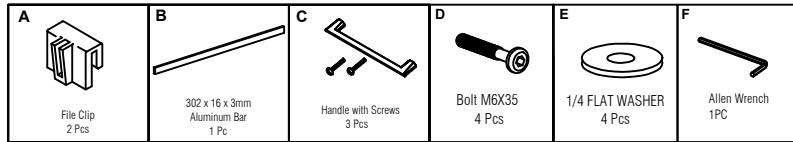
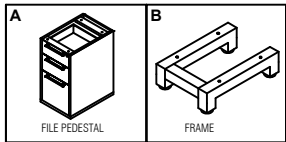


Assemble on cardboard or carpet for protection during assembly. 2-person assembly team suggested.

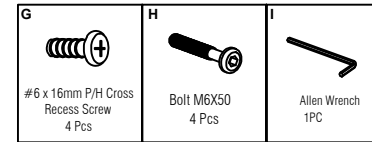
COMPONENTS

HARDWARE

HARDWARE



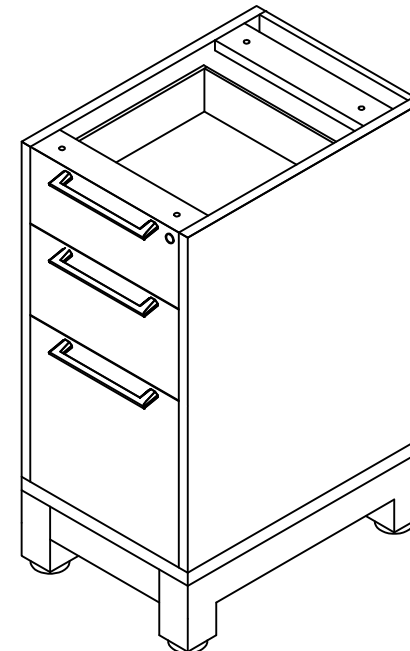
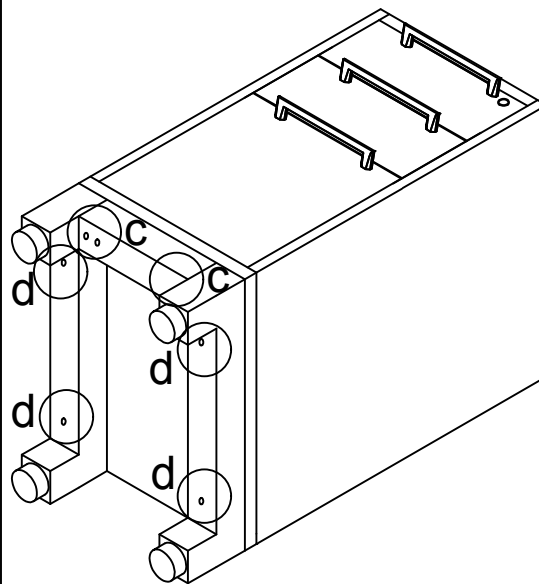
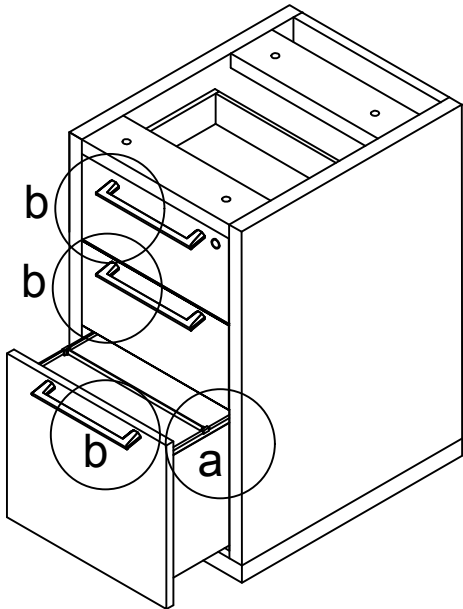
PACKED WITH MX2 FP(A)



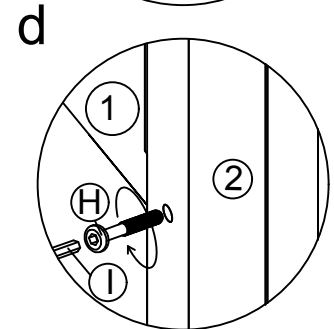
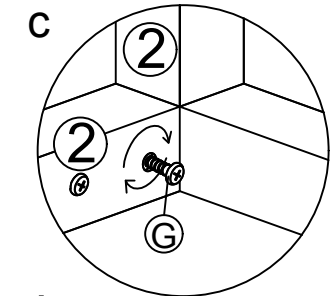
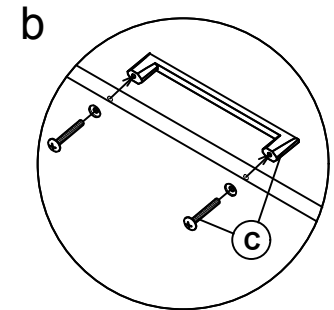
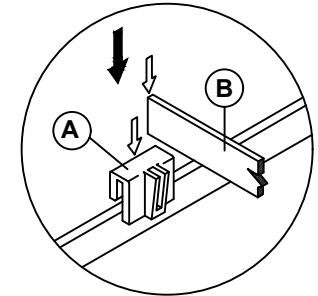
PACKED WITH MX2 MLB4070

STEP 1

STEP 2

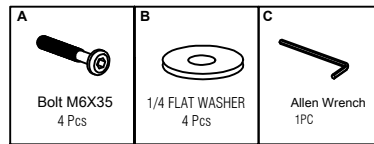
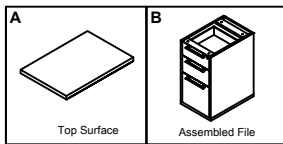


COMPLETED ASSEMBLY



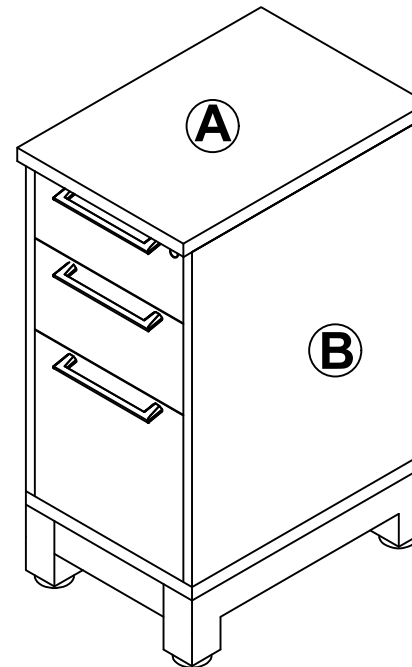
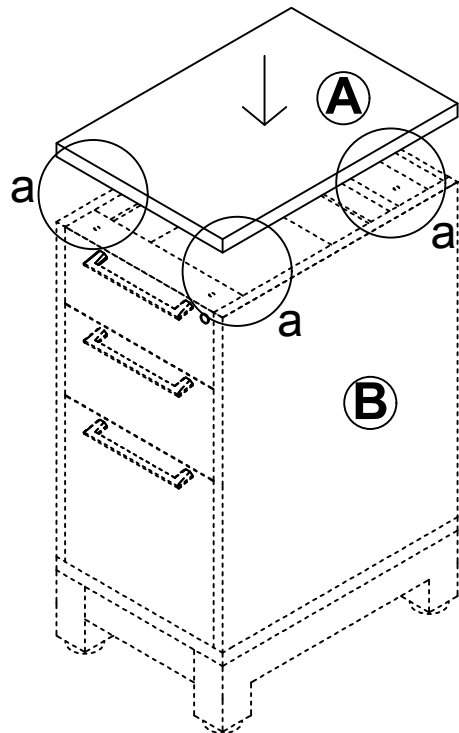
PARTS

HARDWARE



PACKED WITH MX2 FP(A)

STEP 1



COMPLETED ASSEMBLY

