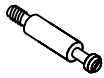


Assemble on cardboard or carpet for protection during assembly. 2-person assembly team suggested.

A x 13



1

B x 13



C x 13



D x 4



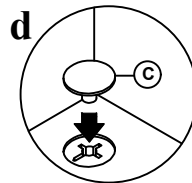
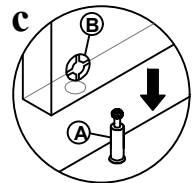
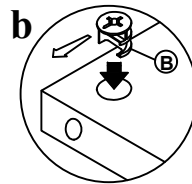
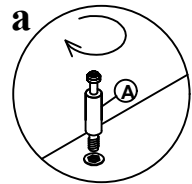
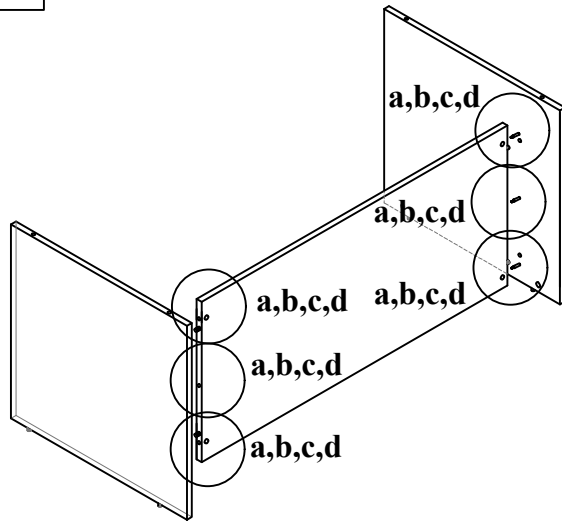
E x 7 (15mm)



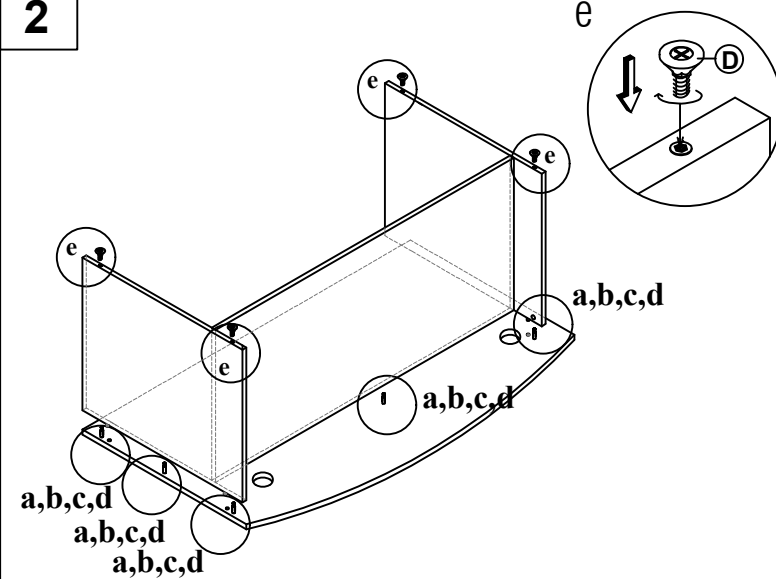
F x 11 (8mm)



G x 1

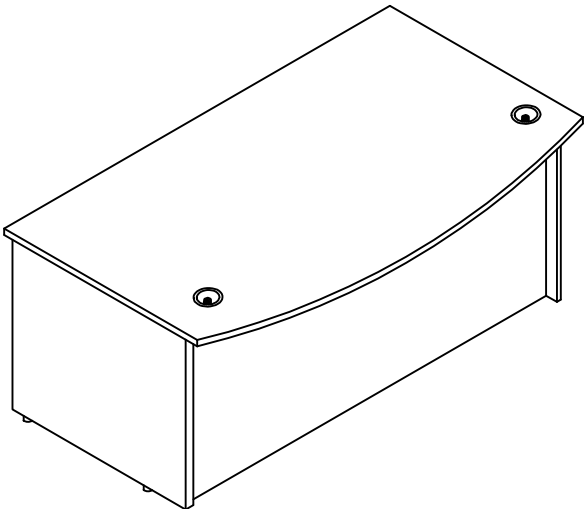


2

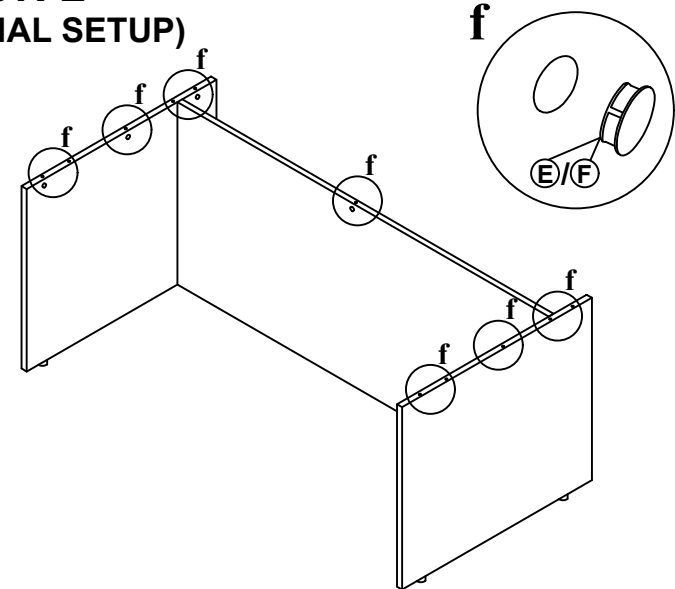


3

OPTION 1

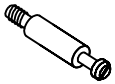


**OPTION 2
(FOR OPTIONAL SETUP)**



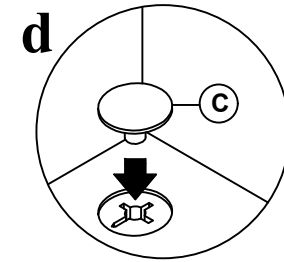
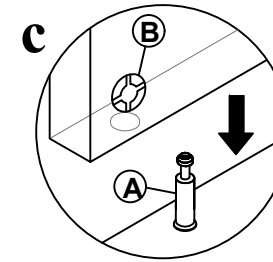
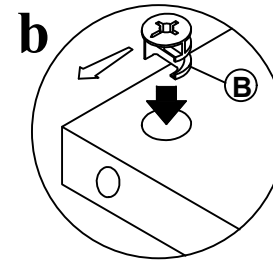
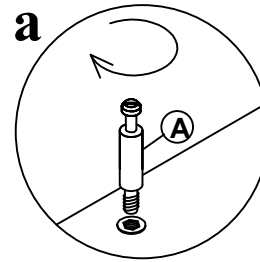
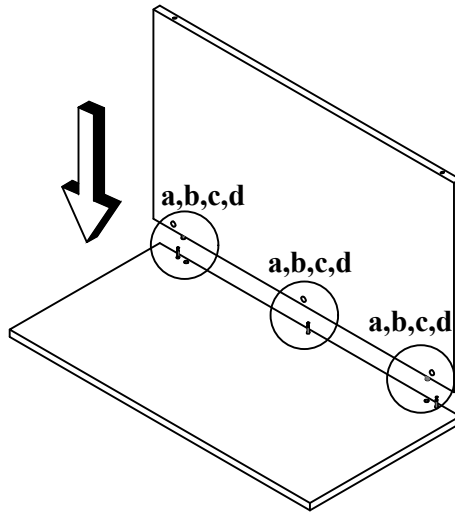
Assemble on cardboard or carpet for protection during assembly. 2-person assembly team suggested.

A x 3



1

B x 3



C x 3

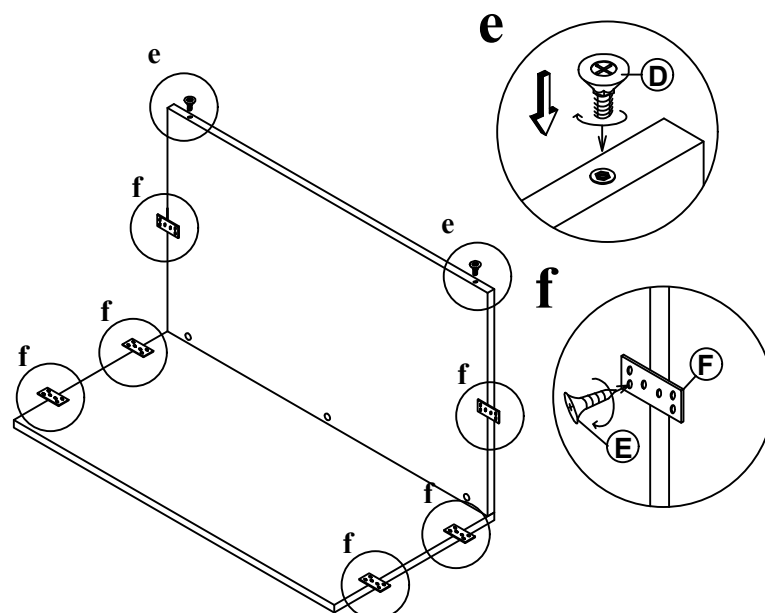


D x 2

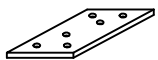


2

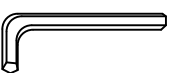
E x 36 (M3.5 x 16mm)



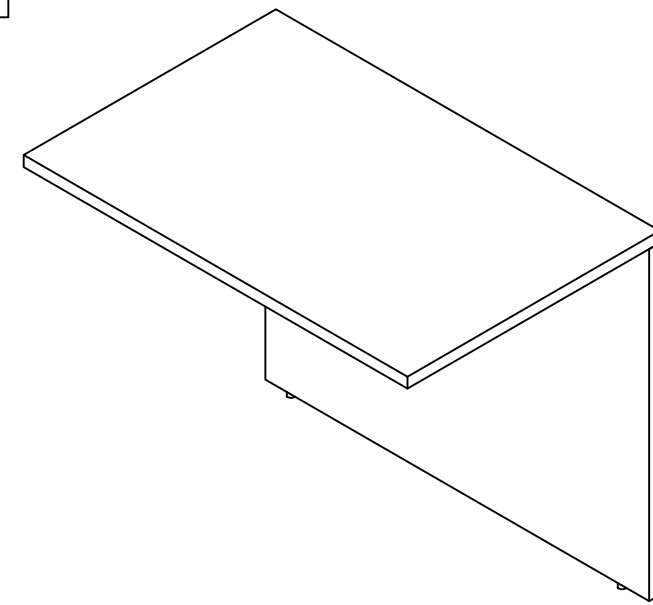
F x 6



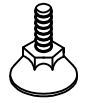
G x 1



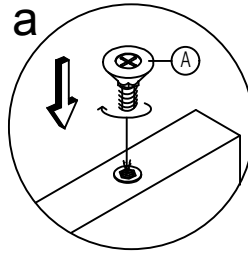
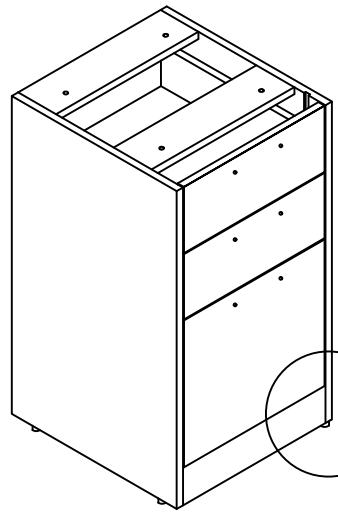
3



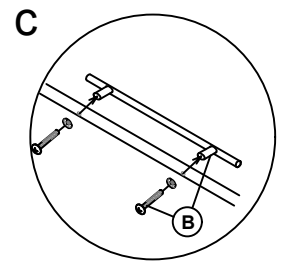
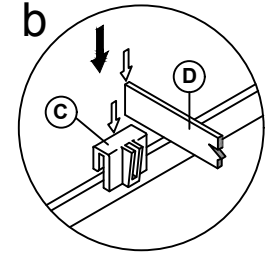
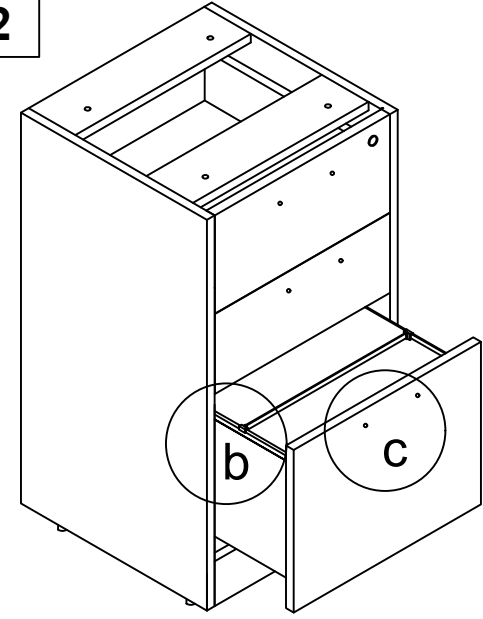
A x 4



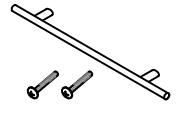
1



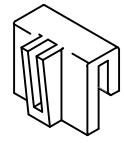
2



B x 3



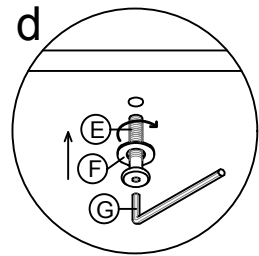
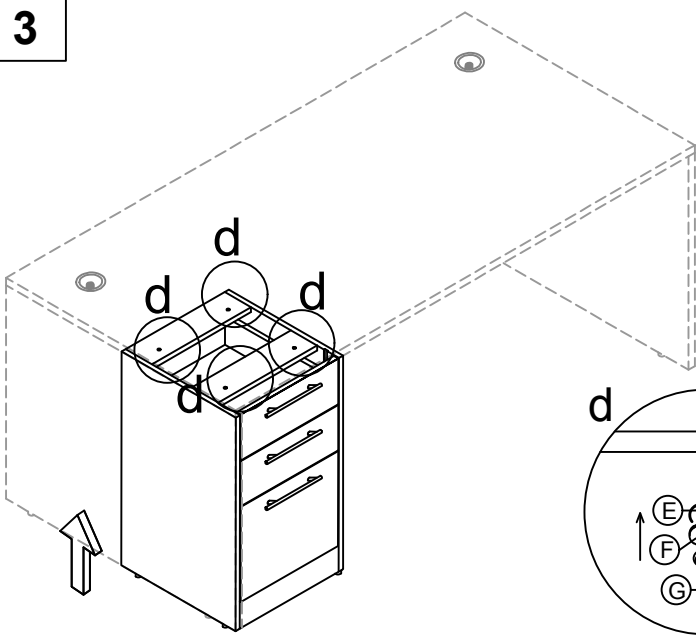
C x 2



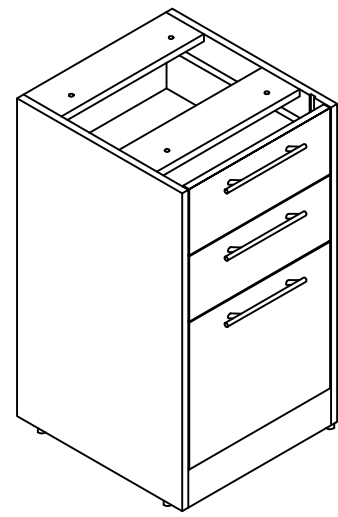
D x 1 (300 x 16 x 3mm)



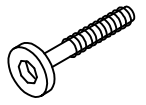
3



4



E x 4 (M6 x 35mm)



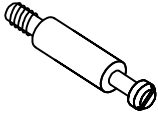
F x 4 (1/4)



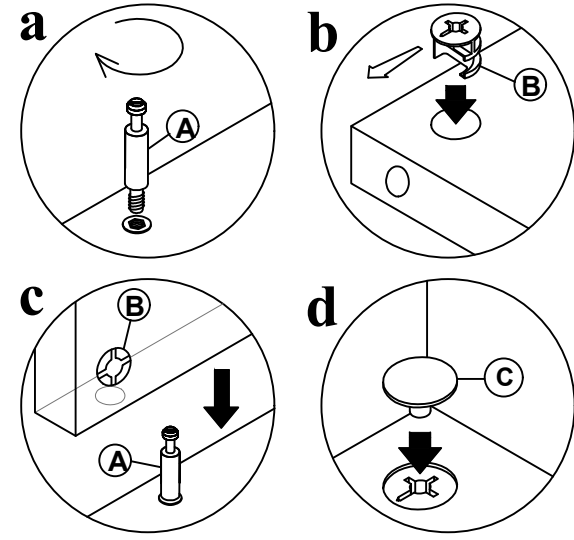
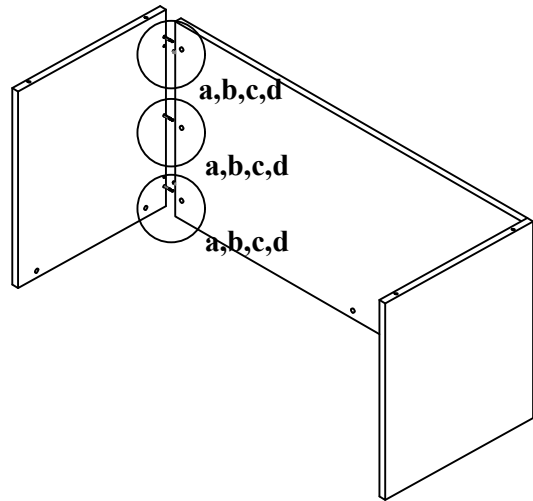
G x 1



A x 11



1



B x 11



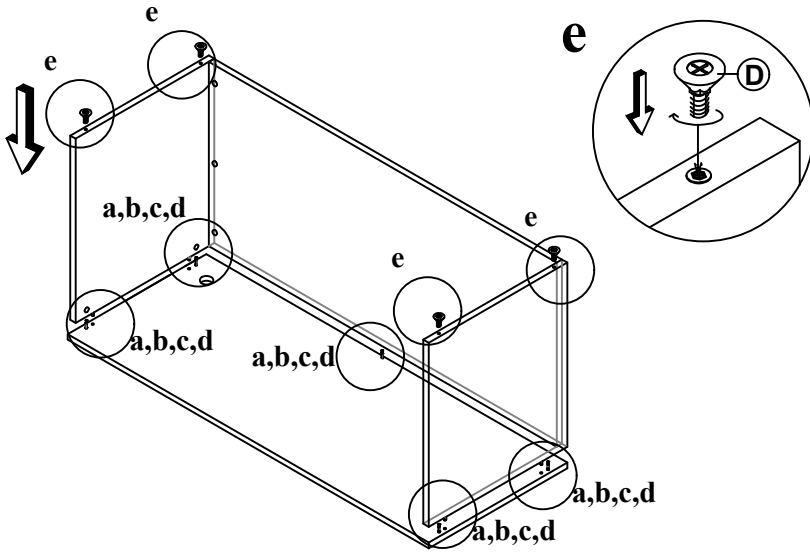
C x 11



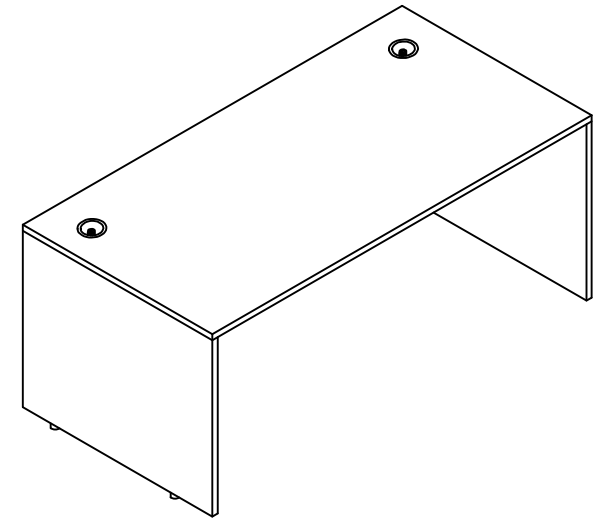
D x 4



2



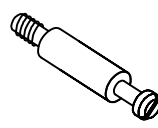
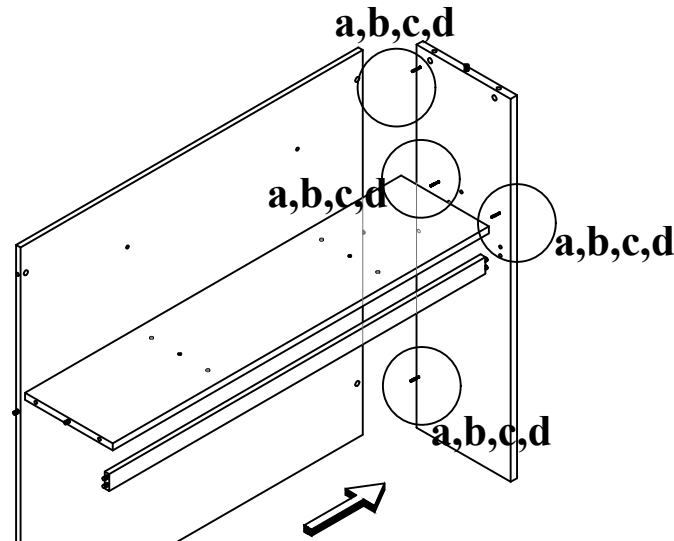
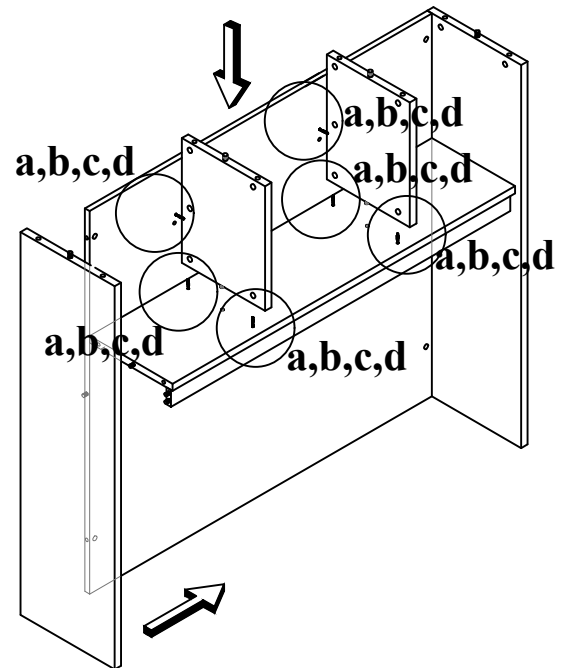


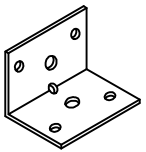

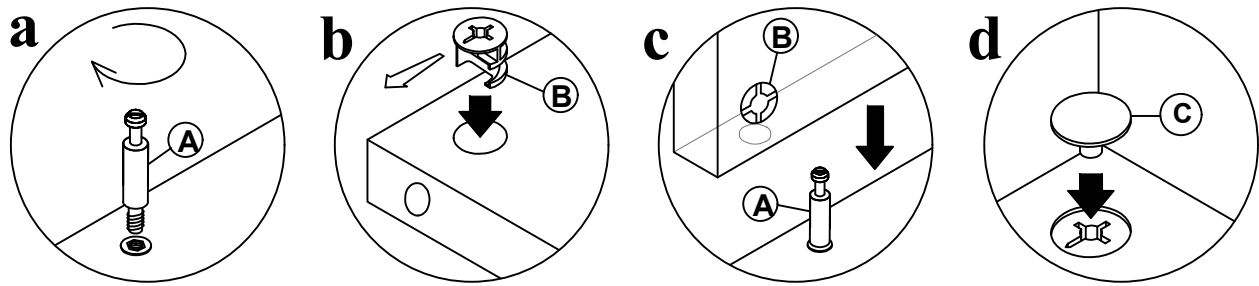

3



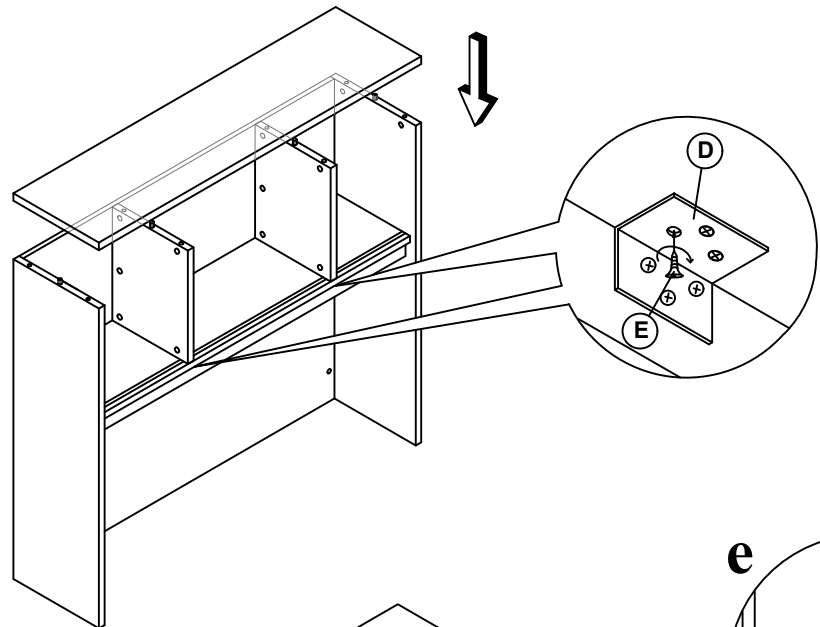
E x 1



Assemble on cardboard or carpet for protection during assembly. 2-person assembly team suggested.

<p>A x 26</p> 	<p>1</p> 	<p>2</p> 
<p>B x 26</p> 		
<p>C x 26</p> 		
<p>D x 2</p> 		
<p>E x 12 (M3.5 x 16mm)</p> 		
<p>F x 1</p> 		

3



4

