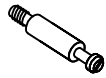


Assemble on cardboard or carpet for protection during assembly. 2-person assembly team suggested.

A x 13



1

B x 13



C x 13



D x 4



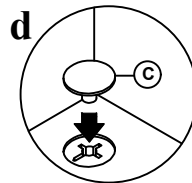
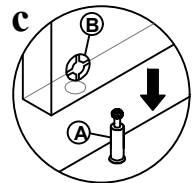
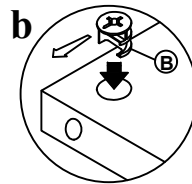
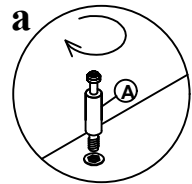
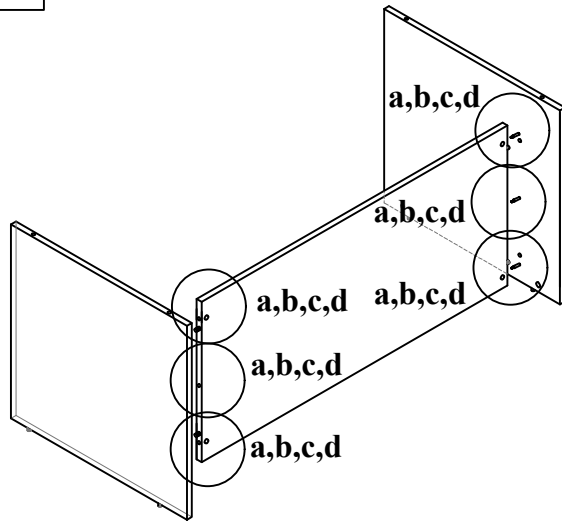
E x 7 (15mm)



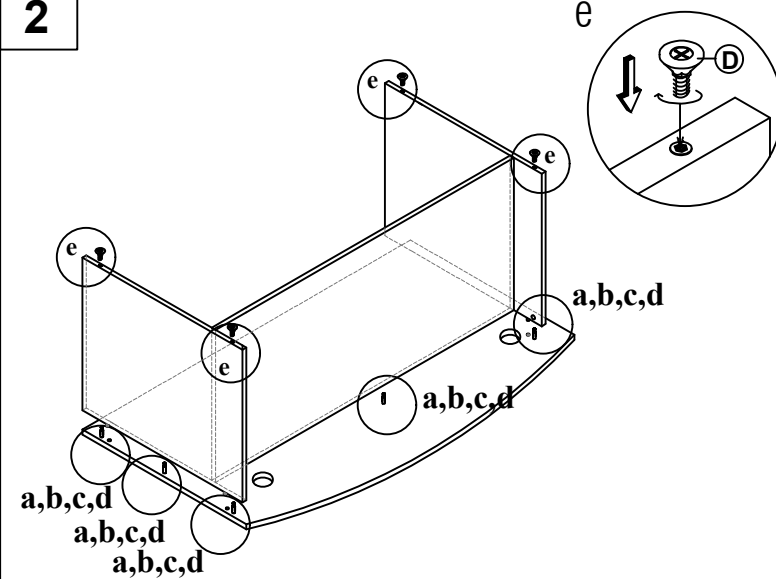
F x 11 (8mm)



G x 1

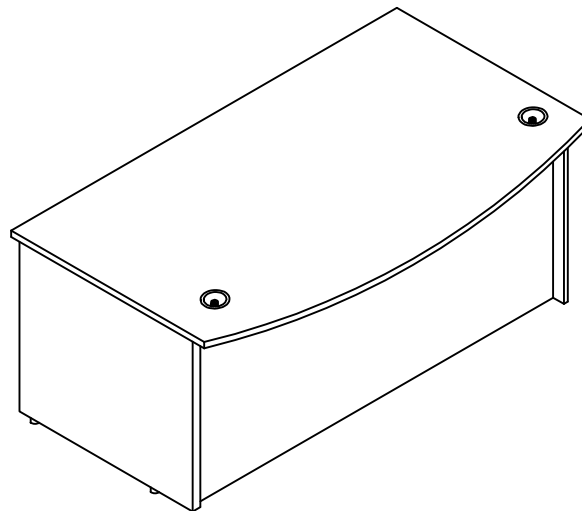


2

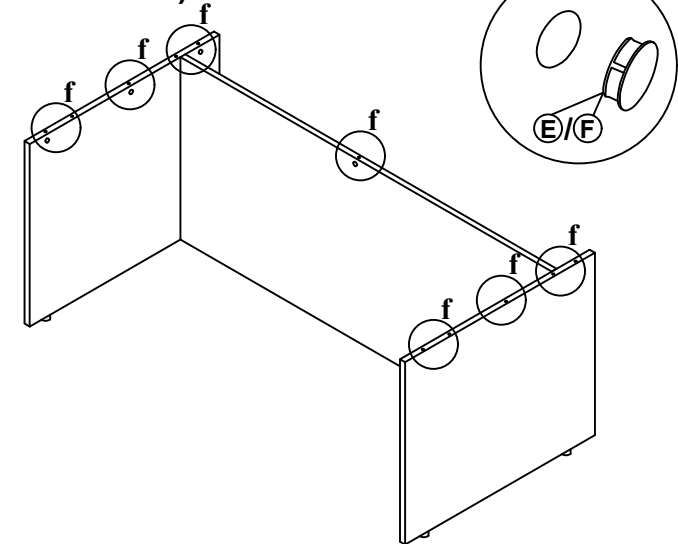


3

### OPTION 1



### OPTION 2 (FOR OPTIONAL SETUP)



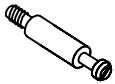
# Assembly Instructions

## Beaumont Reversible Return

Questions?  
Call Customer Service at  
1-800-443-5117, Mon-Fri, 8:30 - 5PM Central Time  
or email at  
CustomerSvc@ModernOfficeFurniture.com

Assemble on cardboard or carpet for protection during assembly. 2-person assembly team suggested.

A x 8



1

B x 8



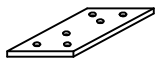
C x 8



D x 4



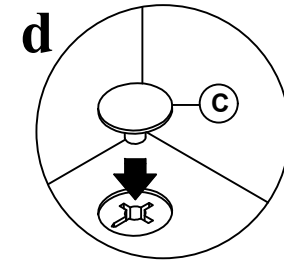
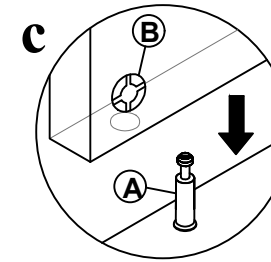
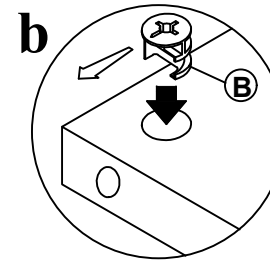
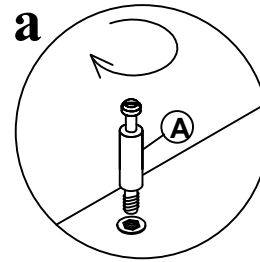
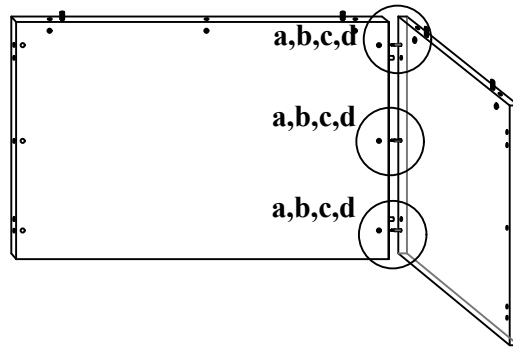
E x 3



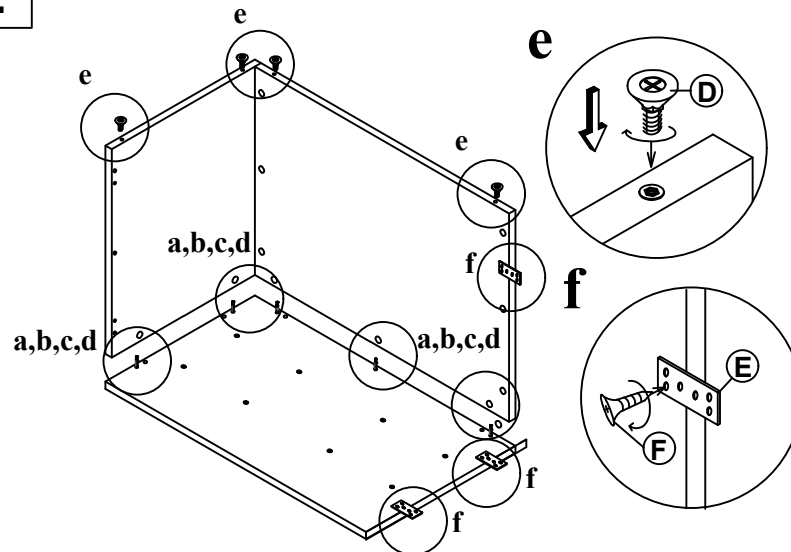
F x 18 (M3.5 x 16mm)



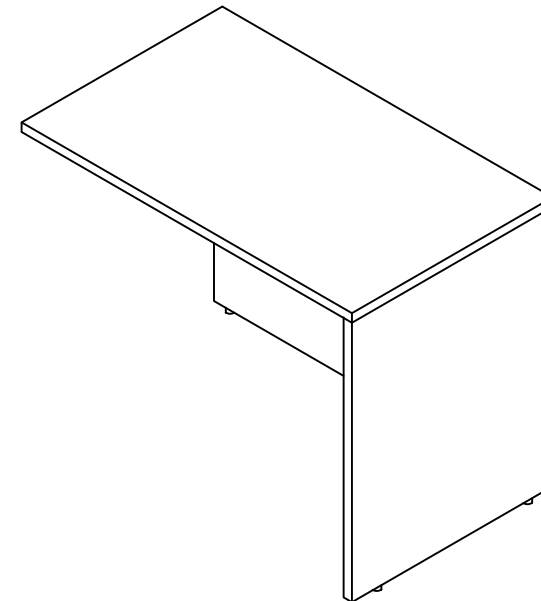
G x 1



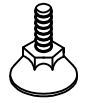
2



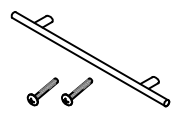
3



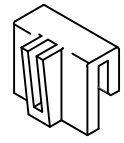
A x 4



B x 3



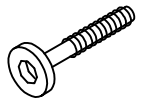
C x 2



D x 1 (300 x 16 x 3mm)



E x 4 (M6 x 35mm)



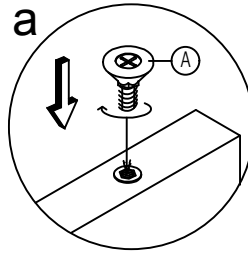
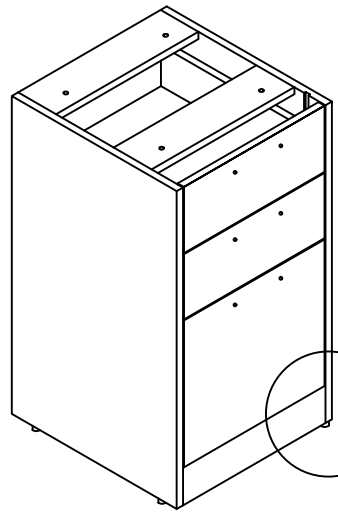
F x 4 (1/4)



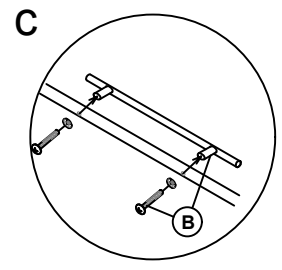
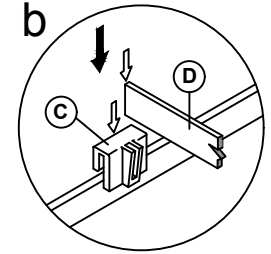
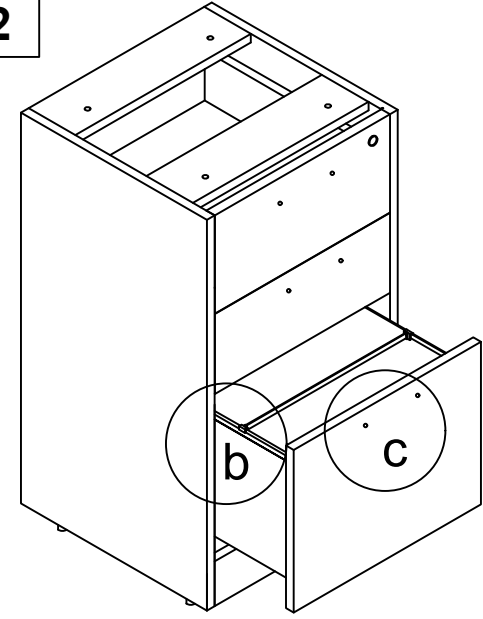
G x 1



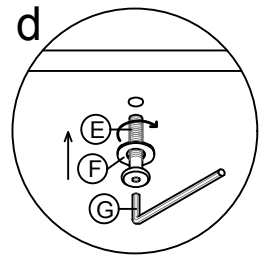
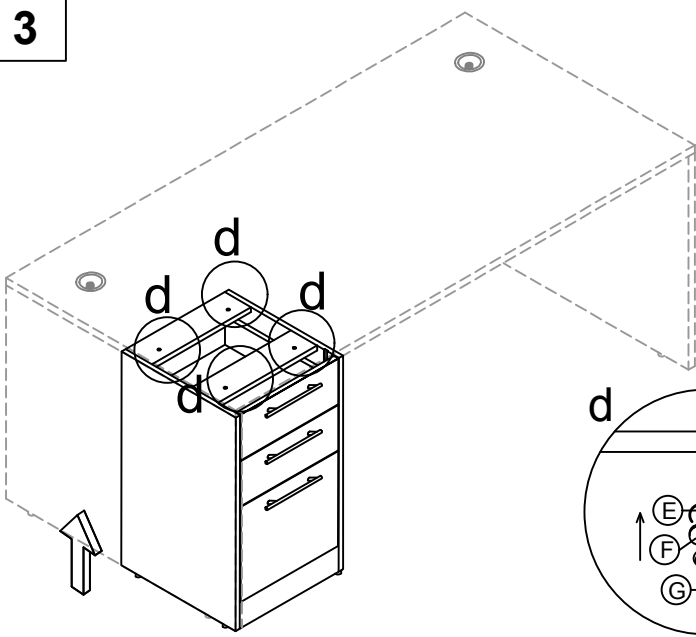
1



2



3



4

