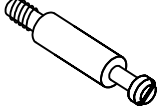






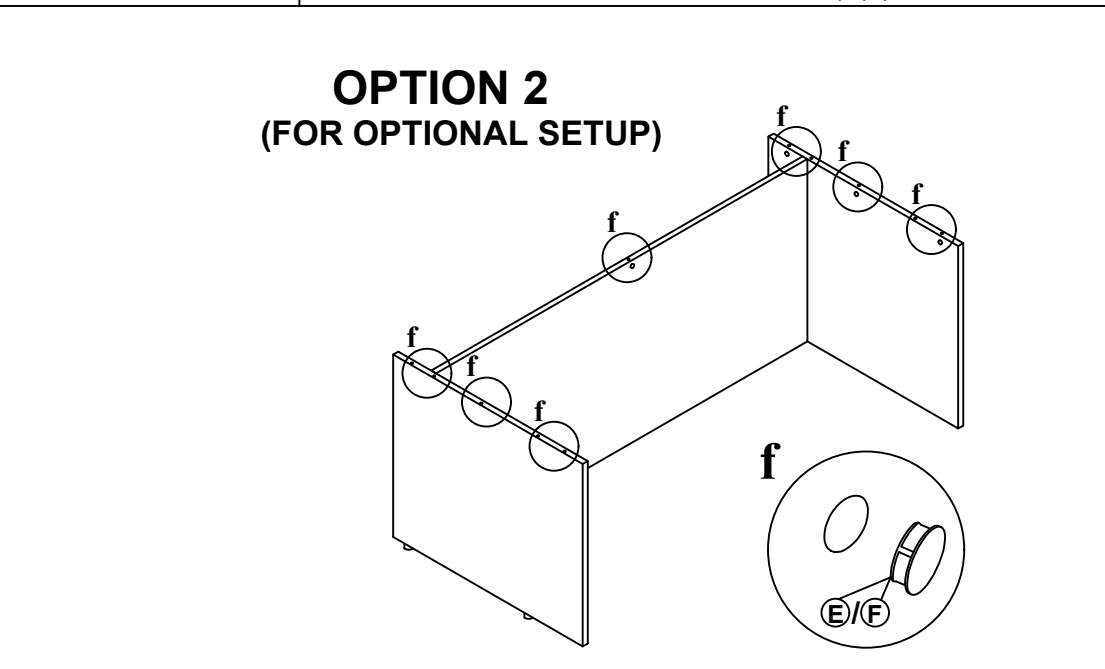
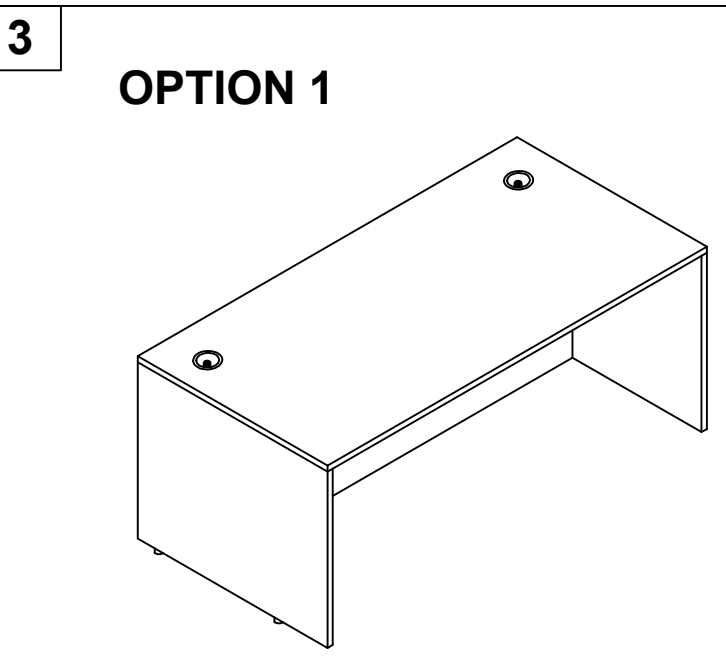
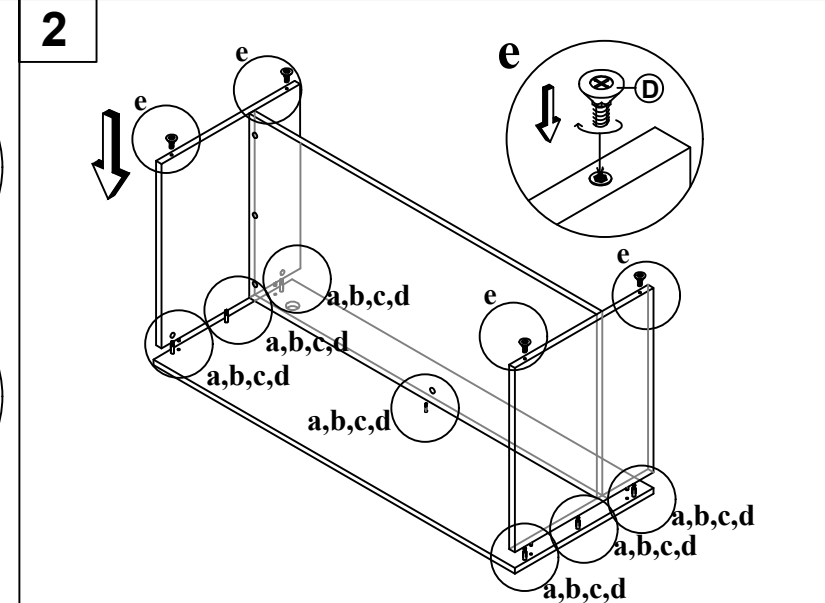
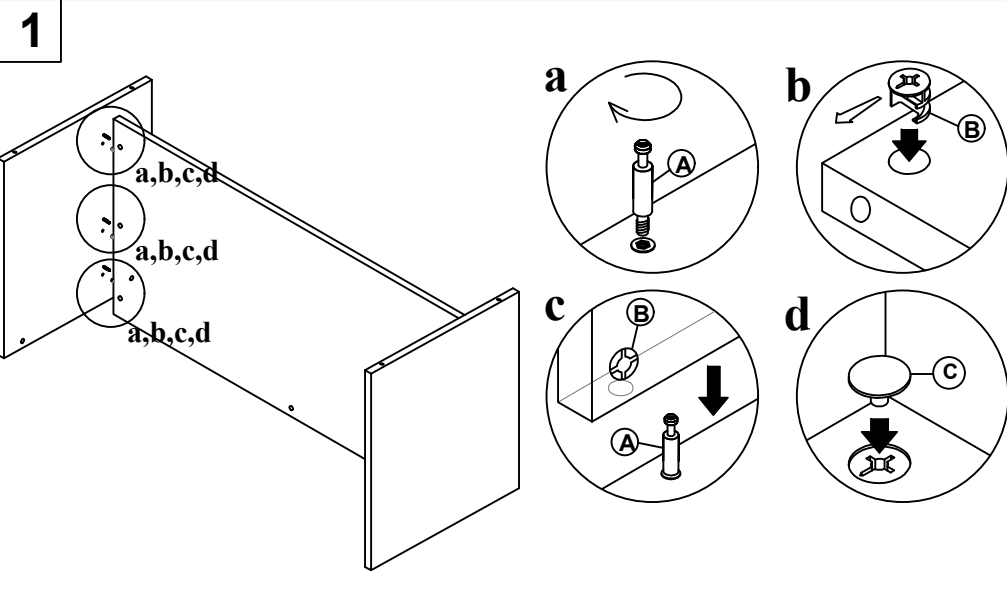


Assemble on cardboard or carpet for protection during assembly. 2-person assembly team suggested.

- A x 13**

- B x 13**

- C x 13**

- D x 4**

- E x 7 (15mm)**

- F x 11 (8mm)**

- G x 1**




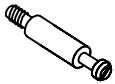
Assembly Instructions

Beaumont Reversible Return

Questions?
Call Customer Service at
1-800-443-5117, Mon-Fri, 8:30 - 5PM Central Time
or email at
CustomerSvc@ModernOfficeFurniture.com

Assemble on cardboard or carpet for protection during assembly. 2-person assembly team suggested.

A x 8



1

B x 8



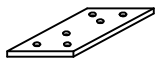
C x 8



D x 4



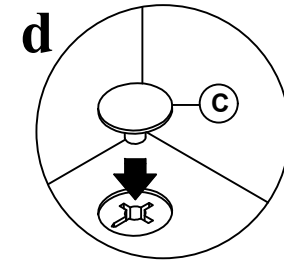
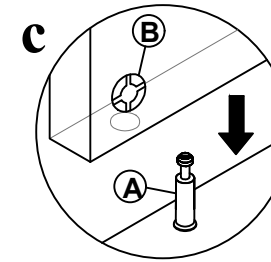
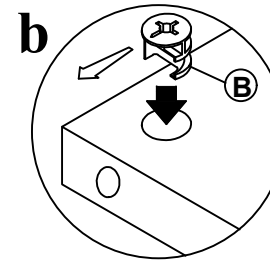
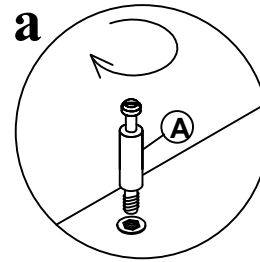
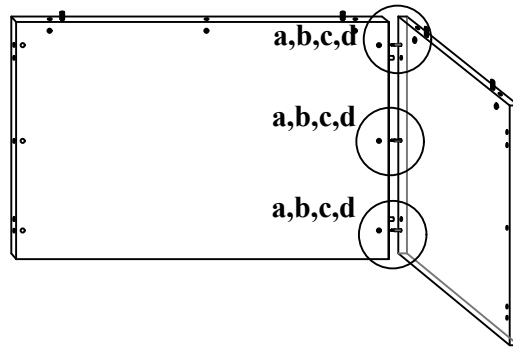
E x 3



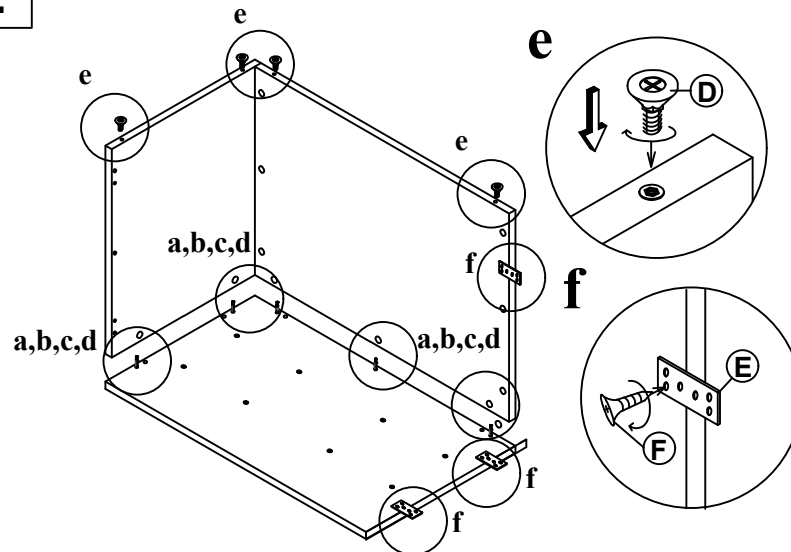
F x 18 (M3.5 x 16mm)



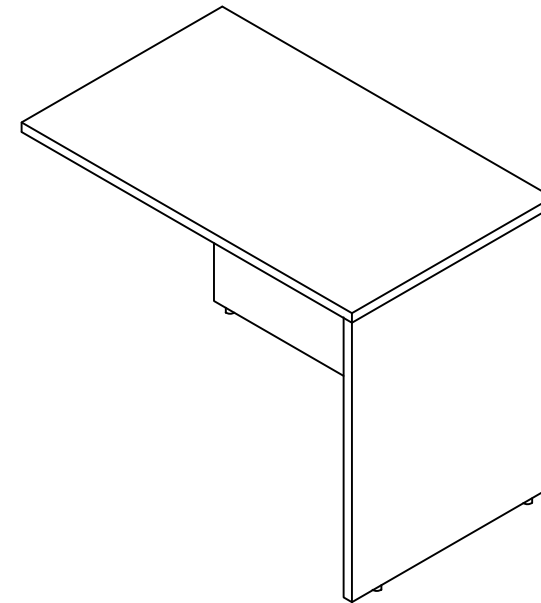
G x 1



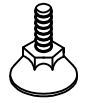
2



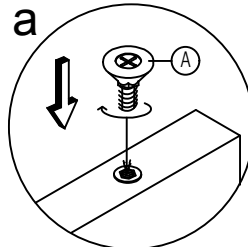
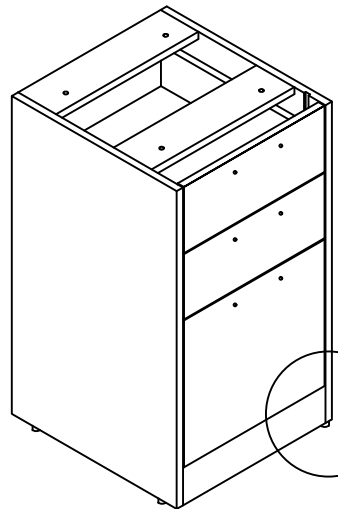
3



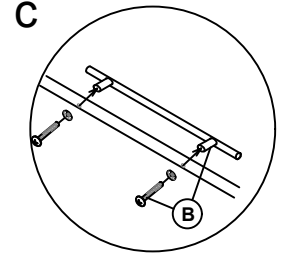
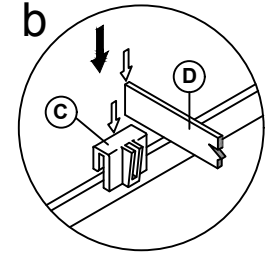
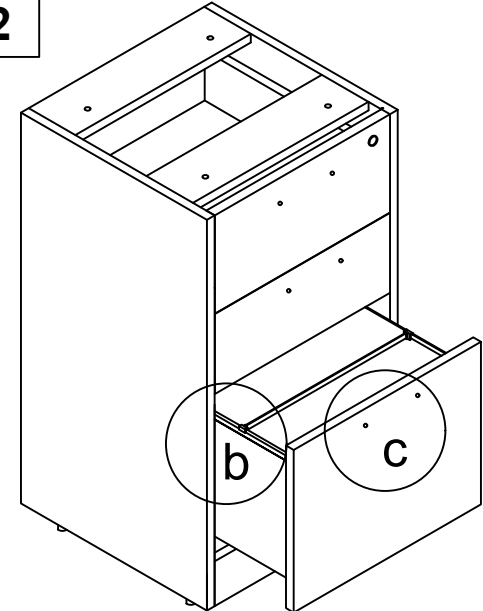
A x 4



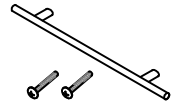
1



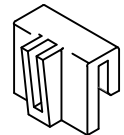
2



B x 3



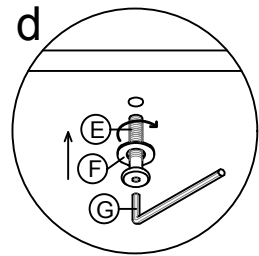
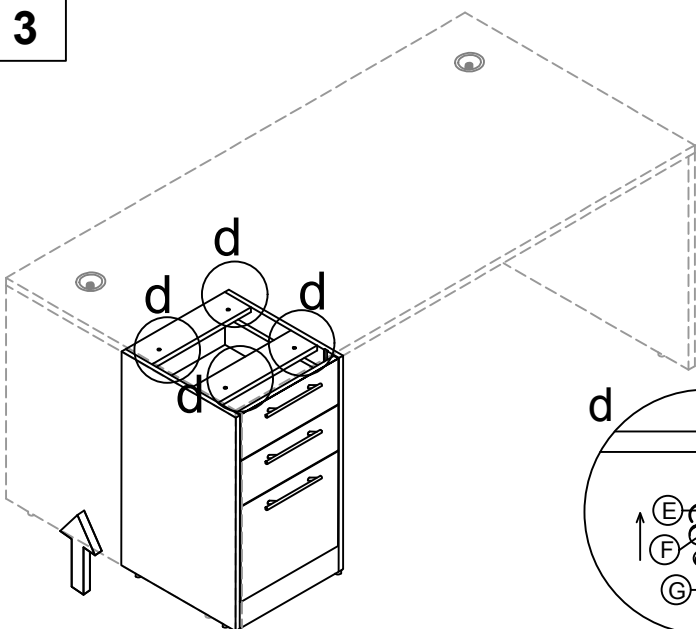
C x 2



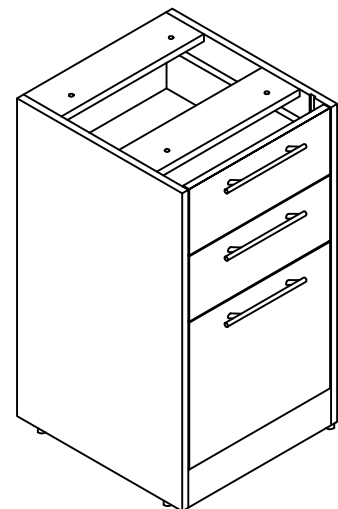
D x 1 (300 x 16 x 3mm)



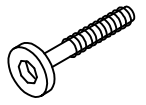
3



4



E x 4 (M6 x 35mm)



F x 4 (1/4)



G x 1

