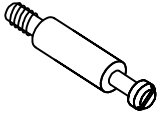
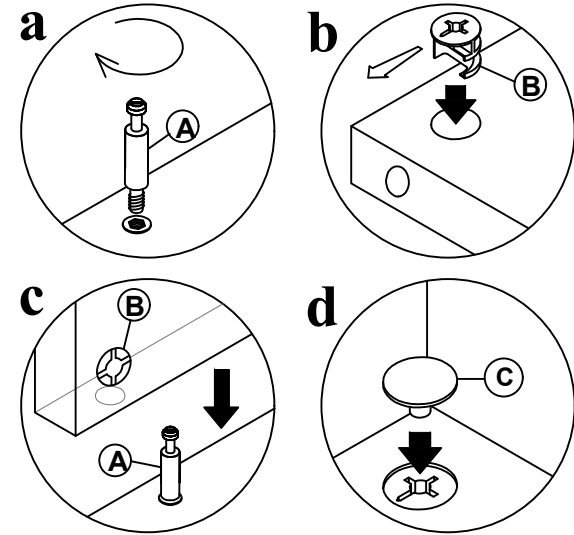
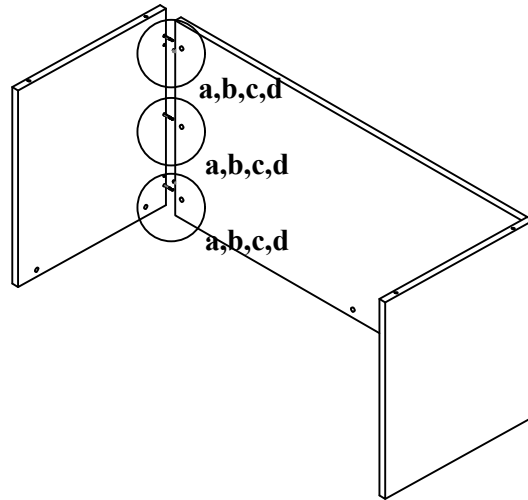


A x 11



1



B x 11



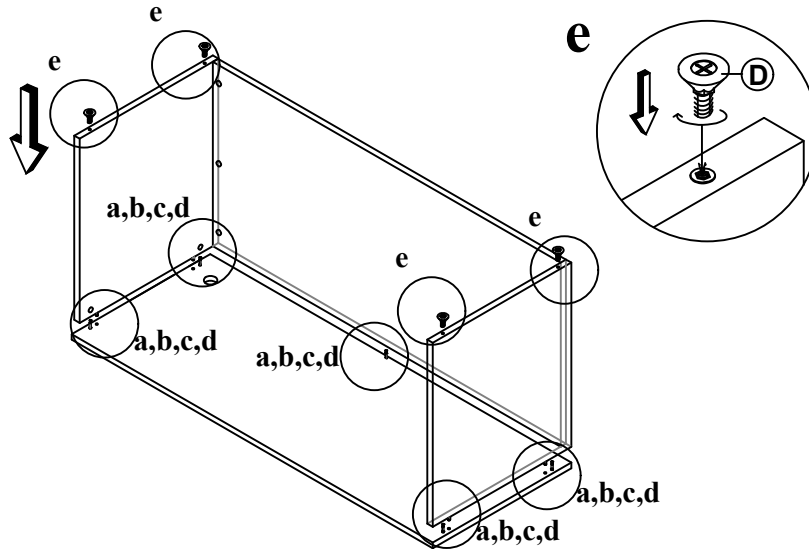
C x 11



D x 4

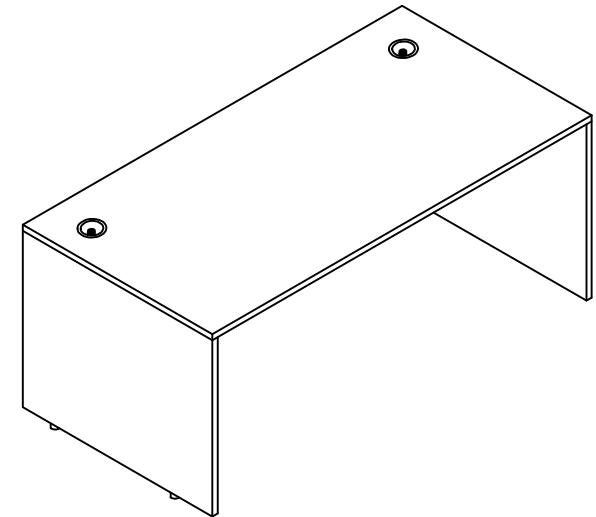


2

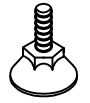


3

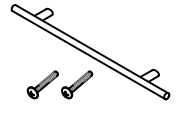
E x 1



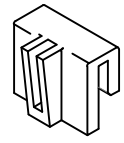
A x 4



B x 3



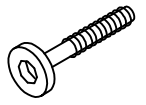
C x 2



D x 1 (300 x 16 x 3mm)



E x 4 (M6 x 35mm)



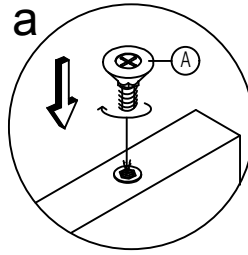
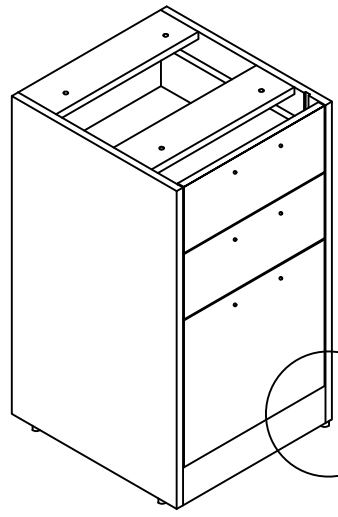
F x 4 (1/4)



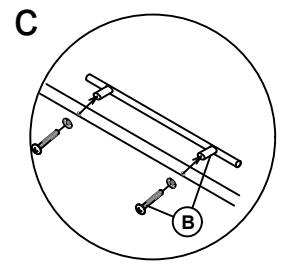
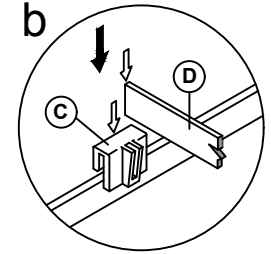
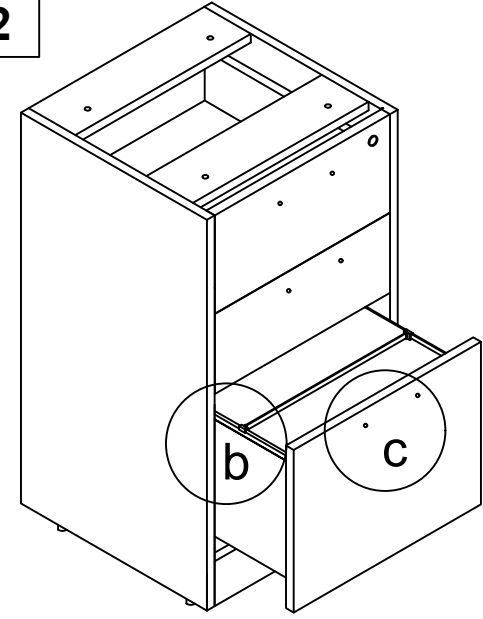
G x 1



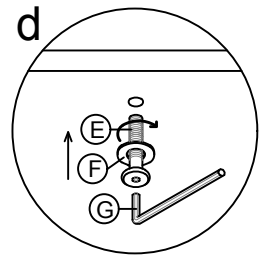
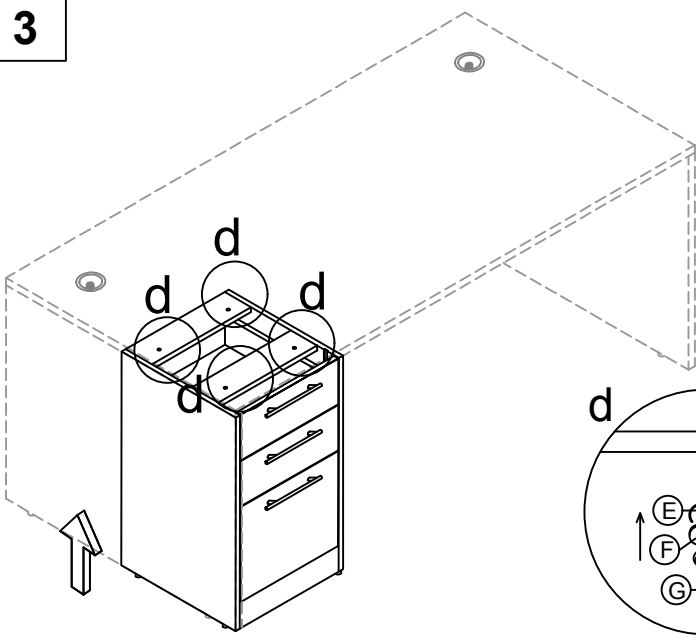
1



2



3



4

