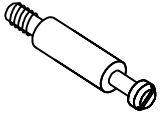
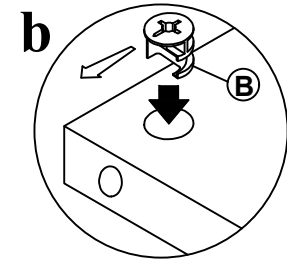
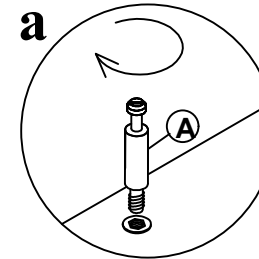
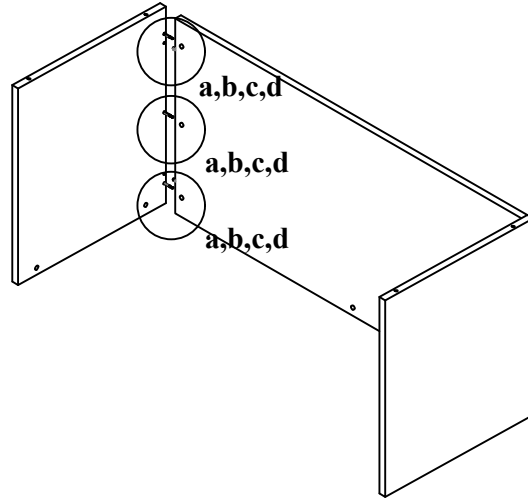


A x 11

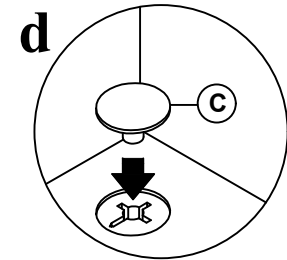
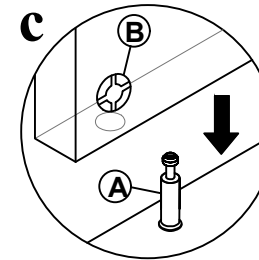


1

B x 11



C x 11

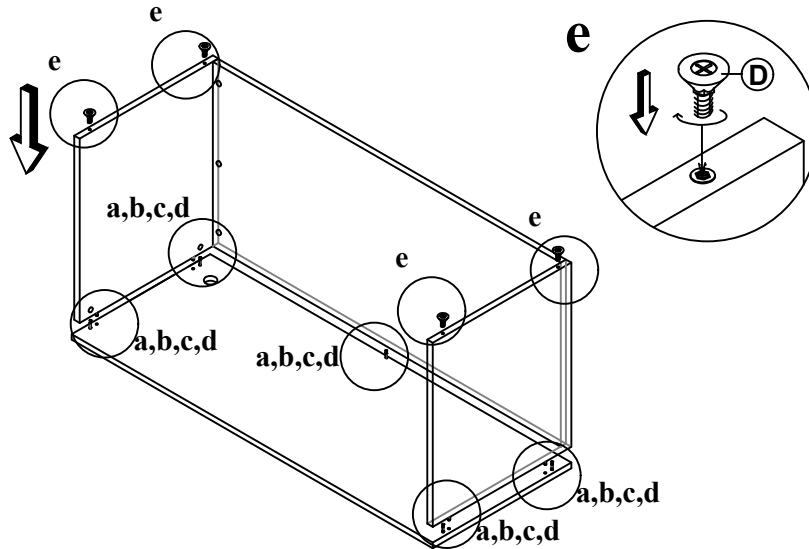


D x 4

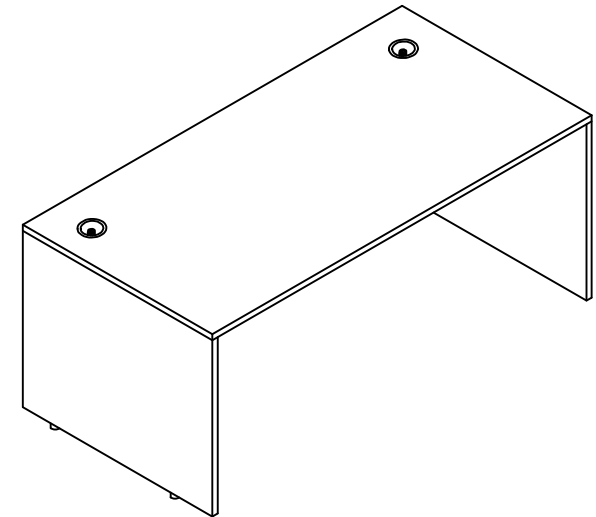


2

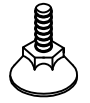
E x 1



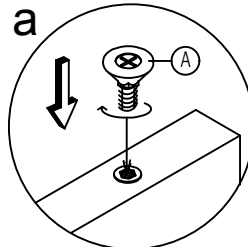
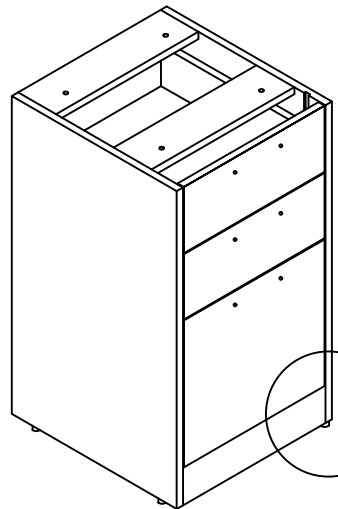
3



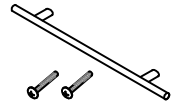
A x 4



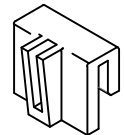
1



B x 3



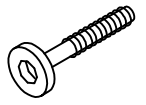
C x 2



D x 1 (300 x 16 x 3mm)



E x 4 (M6 x 35mm)



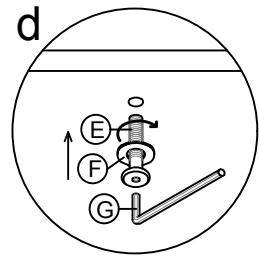
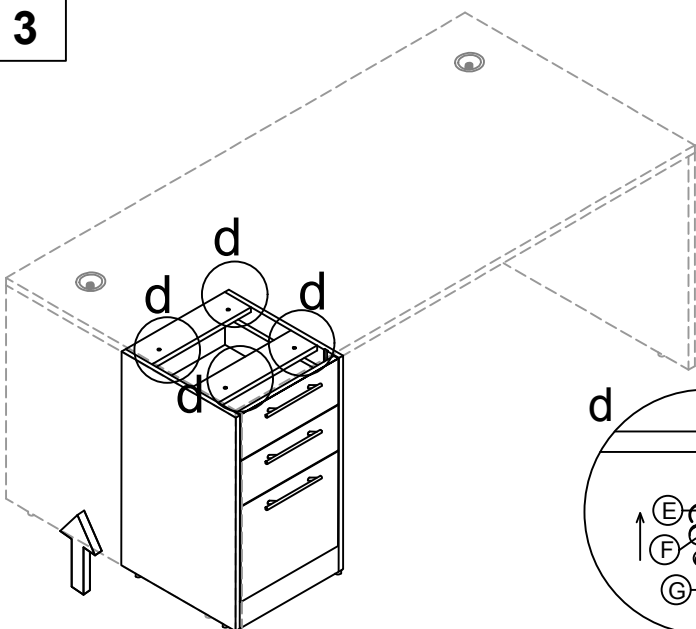
F x 4 (1/4)



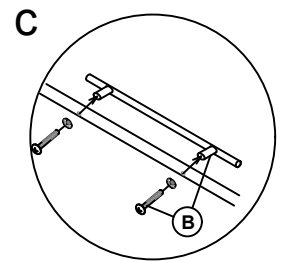
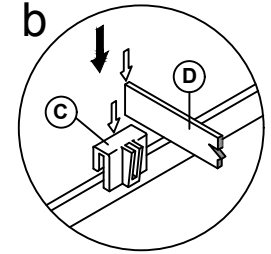
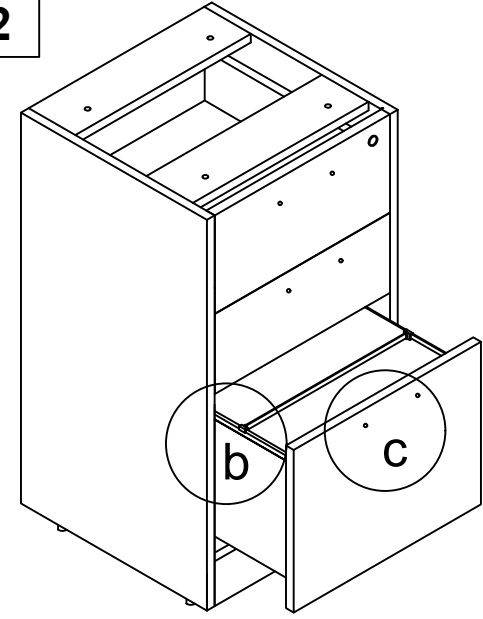
G x 1



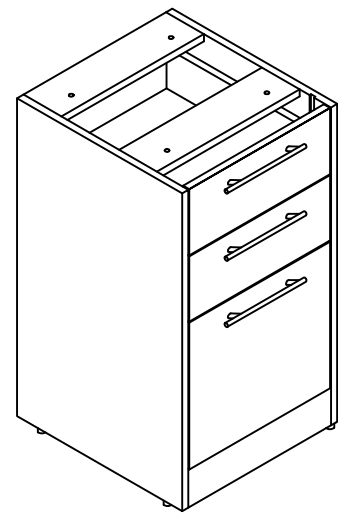
3



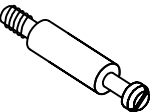
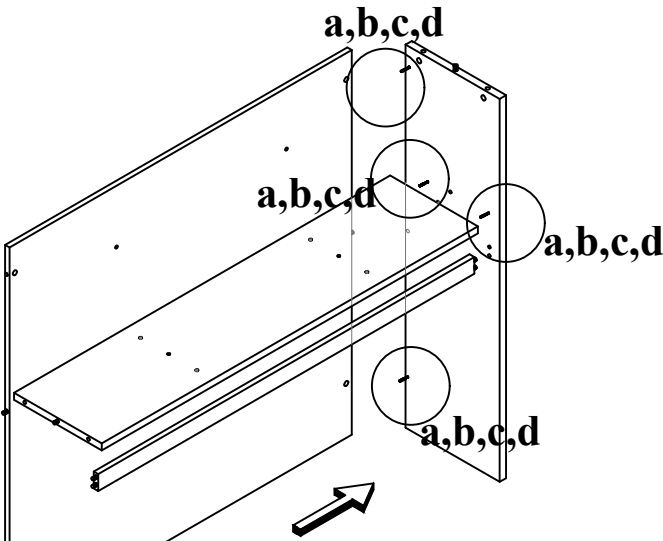
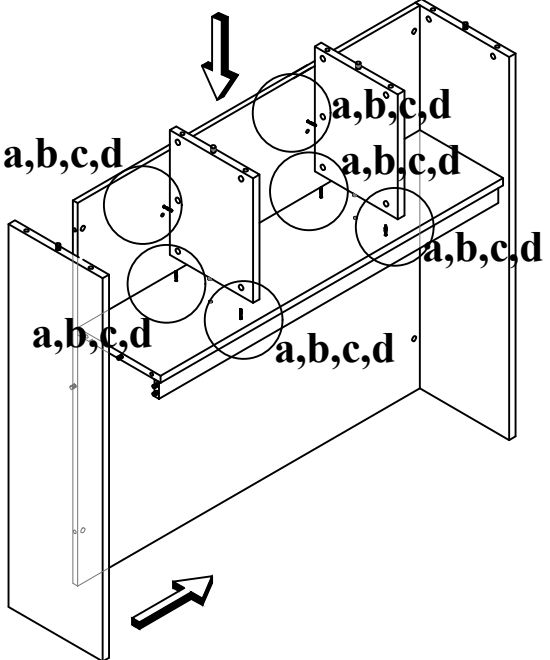


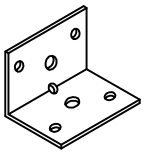

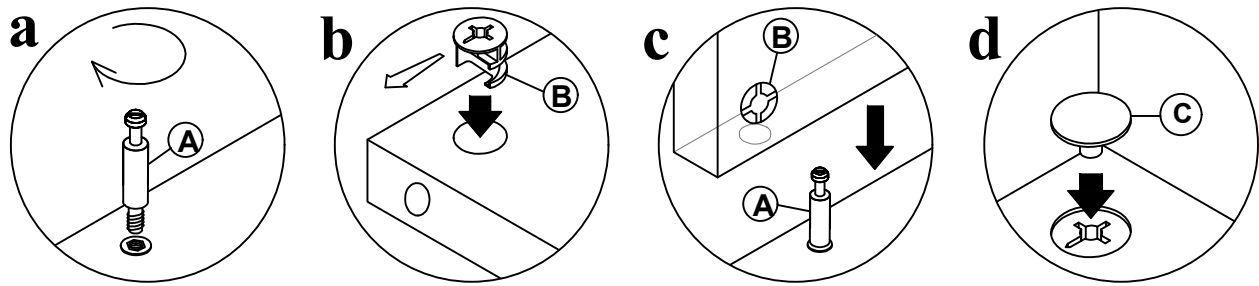

2



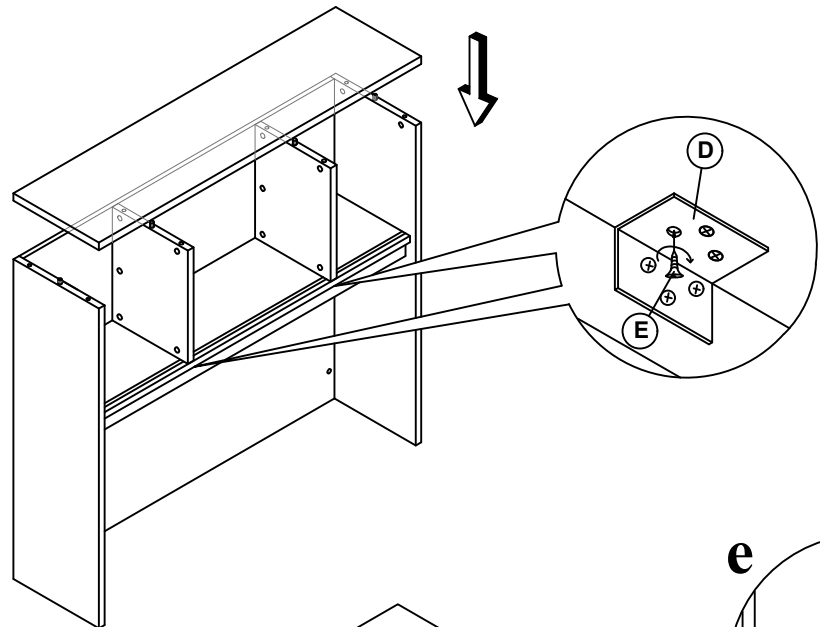
4



Assemble on cardboard or carpet for protection during assembly. 2-person assembly team suggested.

<p><b>A x 26</b></p> 	<p><b>1</b></p> 	<p><b>2</b></p> 
<p><b>B x 26</b></p> 		
<p><b>C x 26</b></p> 		
<p><b>D x 2</b></p> 		
<p><b>E x 12 (M3.5 x 16mm)</b></p> 		
<p><b>F x 1</b></p> 		

3



4

