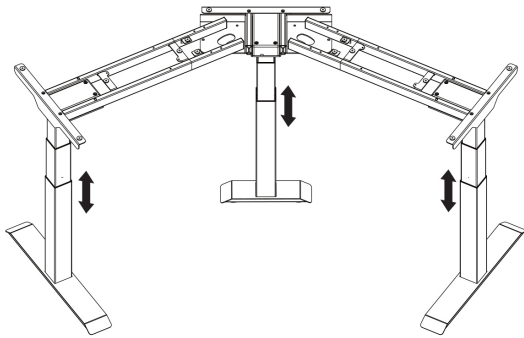











Electric Lift Conference Table Assembly Instructions



Technical data



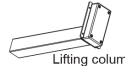



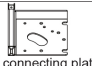
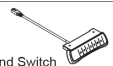
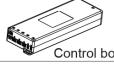
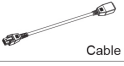
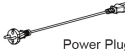
Column qty	3
Max Loading capacity	150KG
Height range	580-1230mm

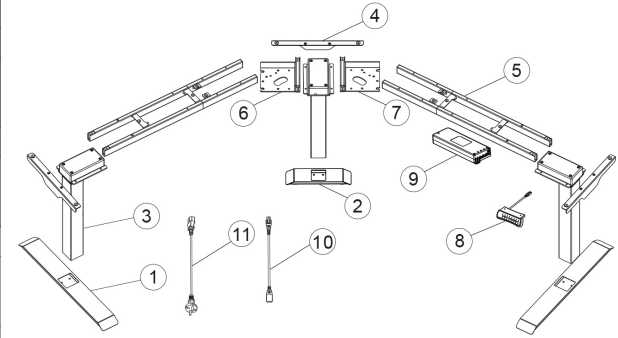
Accessory list

No.	Image	Spec	Qty
A		M6	6
B		M6	8
C		M6	16
D		M6	12
E		M8	4
F		St4.2	24
G		St4.2	6
H		Wiring fixing seat	6
I		Wrench 4x4mm Wrench (with cross) 5x5mm	1

**Separate Pack Labeled METALPLATES4747
ALSO INCLUDED**

Component list

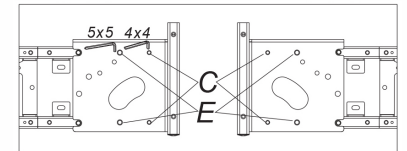
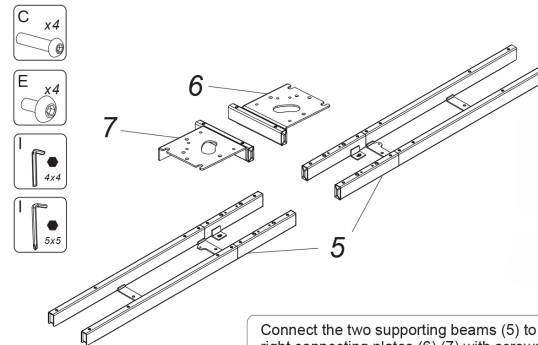
No.	Part	Qty	No.	Part	Qty
①	 Long feet	2	②	 Short feet	1
③	 Lifting column	3	④	 Supporting beam	3
⑤	 Supporting plate	2	⑥	 Left connecting plate	1
⑦	 Right connecting plate	1	⑧	 Hand Switch	1
⑨	 Control box	1	⑩	 Cable	1
⑪	 Power Plug	1			



Note: This standing desk has three angle installation methods, 90°, 120° and 180°

STEP 1

Install left and right connecting plates



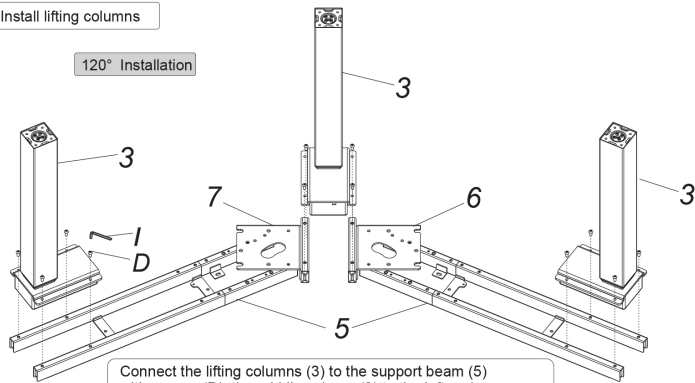
Connect the two supporting beams (5) to the left and right connecting plates (6) (7) with screws (C) and (E) respectively. There are three angles to choose at will, and finally tighten them with a wrench (I)

STEP 2

Install lifting columns



120° Installation



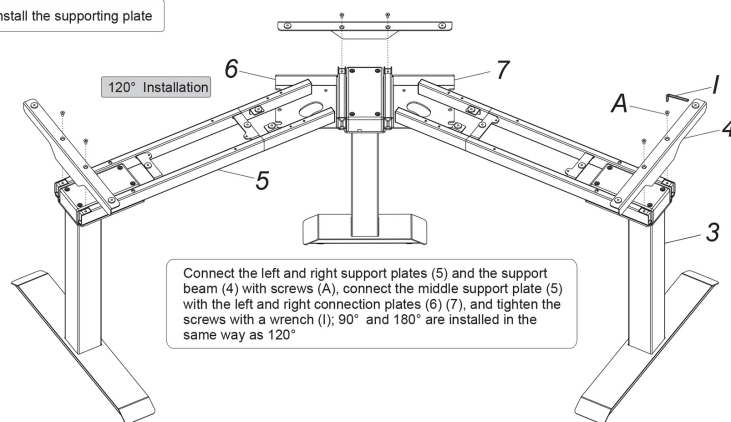
Connect the lifting columns (3) to the support beam (5) with screws (D), the middle column (3) to the left and right connecting plates (6) (7), and the wrench (I) to tighten the screws; 90° and 180° are installed in the same way as 120°.

STEP 4

Install the supporting plate



120° Installation

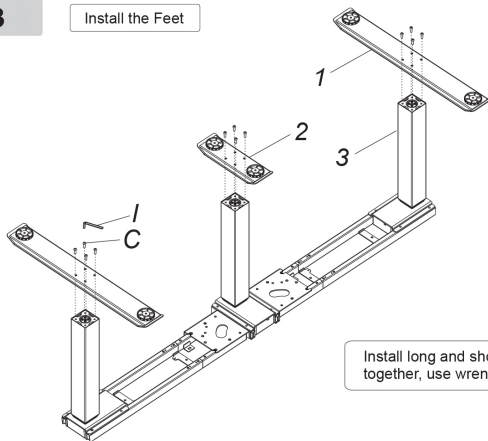


Connect the left and right support plates (5) and the support beam (4) with screws (A), connect the middle support plate (5) with the left and right connection plates (6) (7), and tighten the screws with a wrench (I); 90° and 180° are installed in the same way as 120°

Shown in 120 Degree configuration, but steps are the same.

STEP 3

Install the Feet



Install long and short the feet(1)(2) and the lifting column (3) together, use wrench (I) to tighten the screws (C).

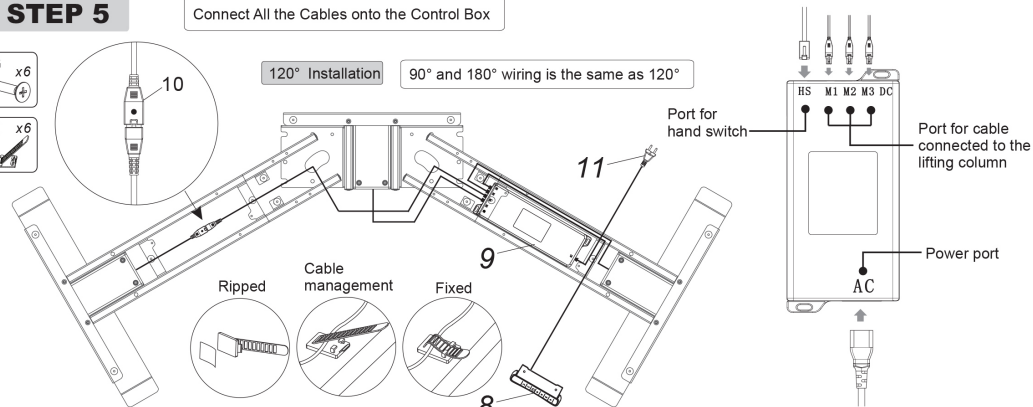
STEP 5

Connect All the Cables onto the Control Box



120° Installation

90° and 180° wiring is the same as 120°



The wiring fixing seat (H) can be glued to the desk board, and can also be screwed to the desk board with screws (G)

STEP 6

Connect Tabletops

HARDWARE IN PACK LABELED METALPLATES4747



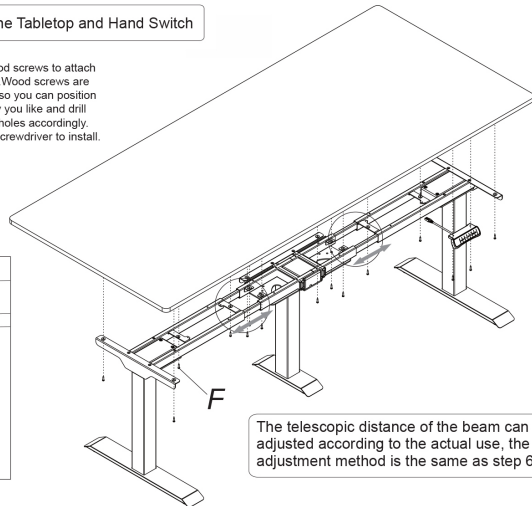
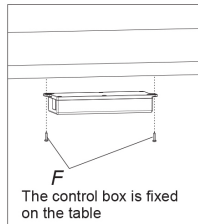
Set table tops upside down on carpet or cardboard for protection during assembly.

Locate the square brackets & screws in package METALPLATES4747. Attach the brackets with the screws over the seam of the table tops using the pre-drilled inserts.

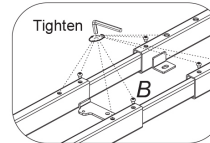
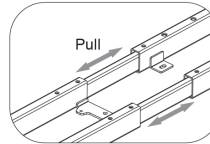
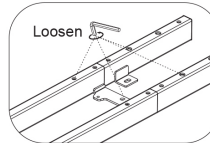
STEP 7

Install the Tabletop and Hand Switch

Use (F) wood screws to attach desktop(s). Wood screws are self-drilling so you can position top(s) how you like and drill your own holes accordingly. Use power screwdriver to install.



The telescopic distance of the beam can be adjusted according to the actual use, the adjustment method is the same as step 6-1



Troubleshooting Guide

Please try the tips below to help resolve simple performance issues. Please contact Modern Office with any questions.

Issue	Solution
Desk is not responding or moving when keypad is touched	Unplug from power source. Then, disconnect all cables from control box. Let rest for 1 minute. Then reconnect cables and plug back into power source.
Desk raises at slow speed	Make sure total weight load is not exceeding 275 lbs.
Only one side raises/lowers	One leg cable is probably slightly disconnected. Unplug/reconnect
Desk stops lowering/raising and goes opposite direction.	Collision sensor is being activated. Make sure path is clear. Adjust Collision Sensitivity if desired.
Desk is overworked (moving longer than 2 minutes)	Desk needs to rest for 18 minutes to reset.
Display shows "RST" (sometimes looks like "RST")	Desk needs to be reset. Press the DOWN button until desk goes to lowest height/rebounds to stop.



Attention

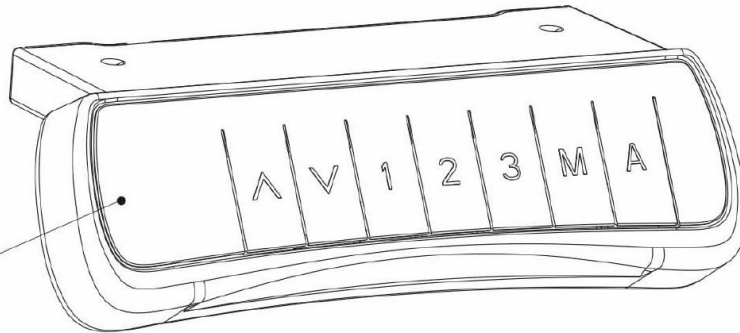
1. Power supply: AC100V-240V,50/60Hz
2. Service Environment: 0-40°C
3. Unplug the power plug before cleaning, wipe the dust on surface with slight wet dishcloth when cleaning, be careful not to let the drops into the internal parts, not loose the connector.
4. The electric box contains electronic components, metals, plastics, wires etc., so dispose of it in accordance with each country's environmental legislation, not the general household waste.
5. Check carefully to ensure correct and complete assembly before using.
6. Be familiar with all functions and program settings of the product before first use.
7. Children are forbidden to play on the product because of unforeseen action when playing, so any dangerous consequences caused by this improper action will not be on manufacturers.
8. Slight noise caused by the V-ribbed belt or brake system due to structure will not have any effect on the use of the equipment.
9. Corrosive or abrasive materials are forbidden to clean the equipment. Must ensure that the cleaner used will not pollute the environment.
10. This appliance can be used by children aged from 8 years and above and persons with reduced physical, sensory or mental capabilities or lack of experience and knowledge if they have been given supervision or instruction concerning use of the appliance in a safe way and understand the hazards involved. Children shall not play with the appliance.
11. Cleaning and user maintenance shall not be made by children without supervision.
12. If the supply cord is damaged, it must be replaced by the manufacturer, its service agent or a similarly qualified person in order to avoid a hazard.
13. Please make sure there is no hazard sources in your operating environment. e.g., do not litter the tools around. Always be careful to treat the packaging materials in order to avoid any possible danger, e.g. plastic bag may lead to choking hazard to children.
14. Keep the original package of the equipment if necessary in case of the future use in transportation.

Waste disposal



This marking indicates that this product should not be disposed with other household wastes. To prevent possible harm to the environment or human health from uncontrolled waste disposal, recycle it responsibly to promote the sustainable reuse of material resources. To return your used device, please use the return and collection systems or contact the retailer where the product was purchased. They can take this product for environmental safe recycling.

Operating Instructions



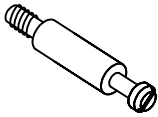



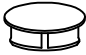


Introduction to the Buttons:

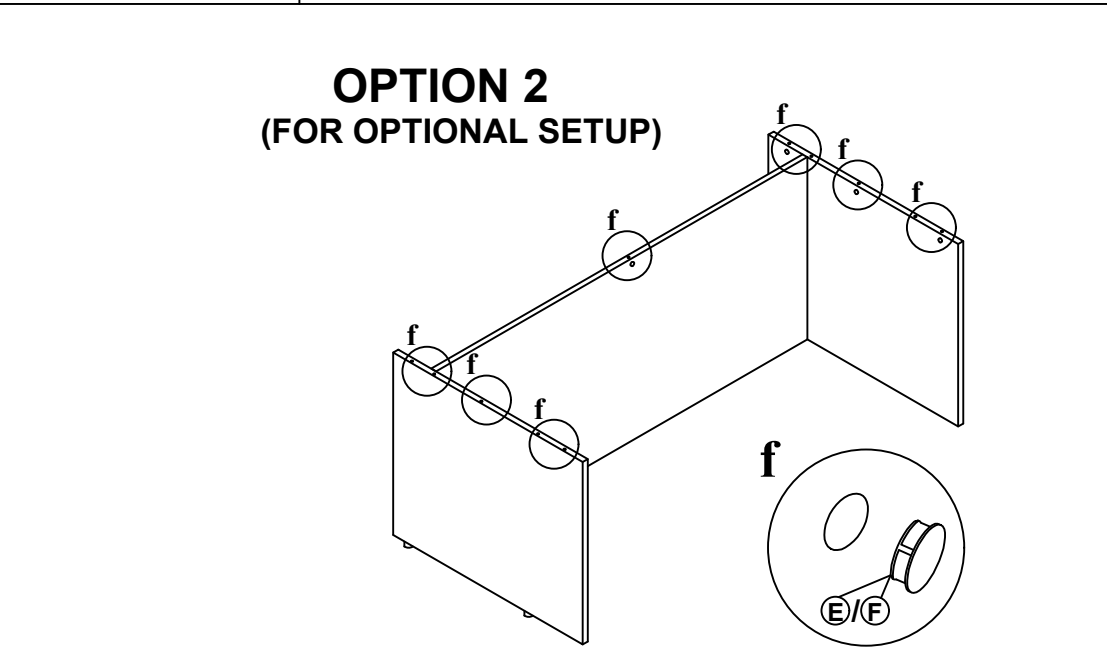
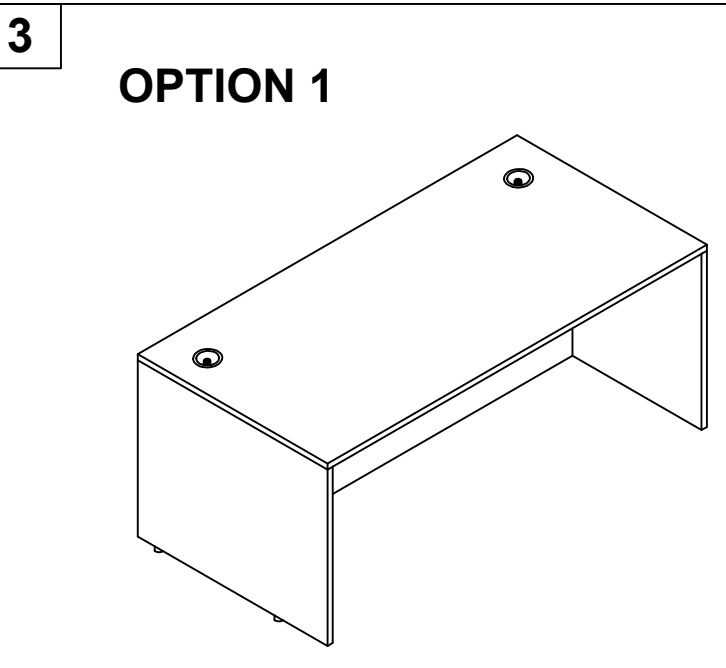
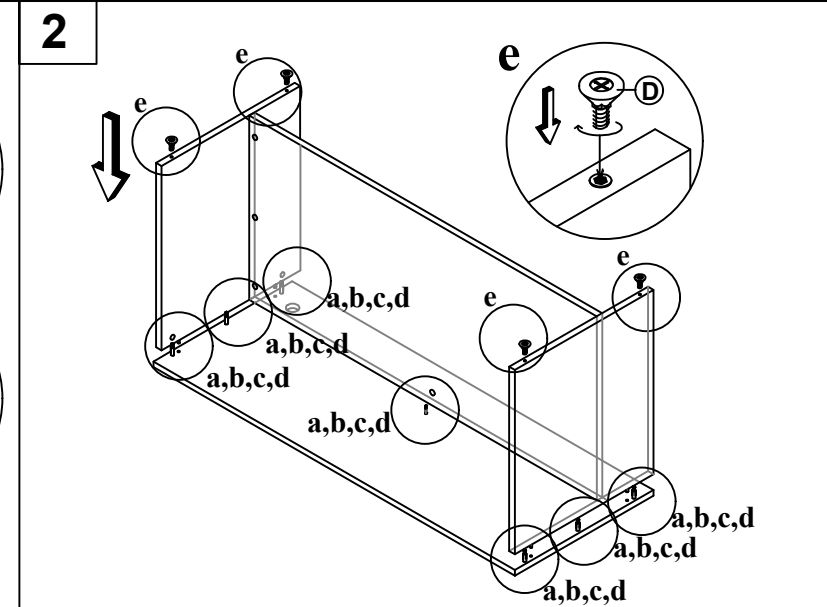
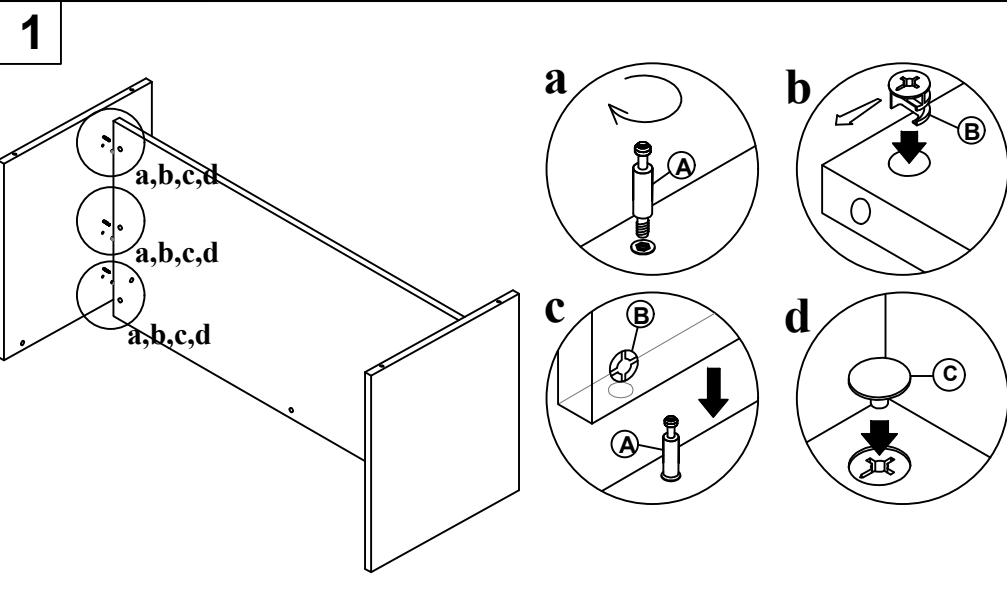
- (1) "▲" : Adjust the desk upwards
- (2) "▼" : Adjust the desk downwards
- (3) "1" : Position 1, first height position saved by the user
- (4) "2" : Position 2, second height position saved by the user
- (5) "3" : Position 3, third height position saved by the user
- (6) "M" : Height memory function
- (7) "A" : Alert button to remind users changing posture

Settings:

- Height Adjustable Function:
Press the "▲" or "▼" button to adjust the height. The LED display shows the current height.
- Height Memory Function:
 - a. Press UP or DOWN button and adjust the height to the desired height. Press "M" to save the height, and the screen will display "5-";
Press "1" , "2" ,or "3" then, that is, save the height to the corresponding position 1 or 2 or 3, which will show in the display screen as "5-1" , "5-2" , or "5-3";
 - b. Press "1", "2" and "3" button directly to automatically adjust the memory height you saved.

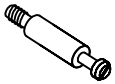
Assemble on cardboard or carpet for protection during assembly. 2-person assembly team suggested.

- A x 13**

- B x 13**

- C x 13**

- D x 4**

- E x 7 (15mm)**

- F x 11 (8mm)**

- G x 1**




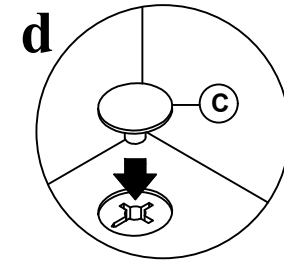
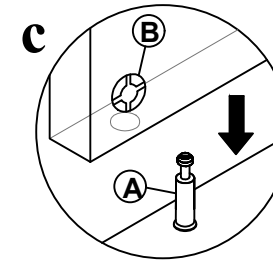
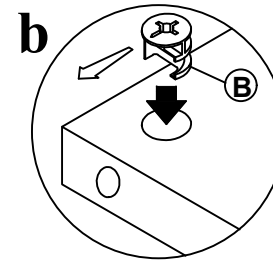
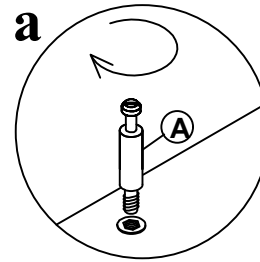
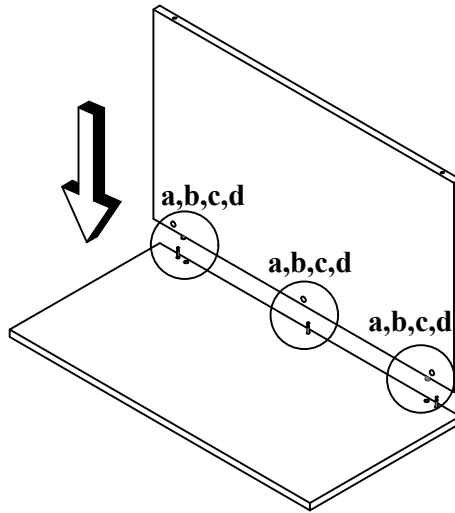
Assemble on cardboard or carpet for protection during assembly. 2-person assembly team suggested.

A x 3



1

B x 3



C x 3

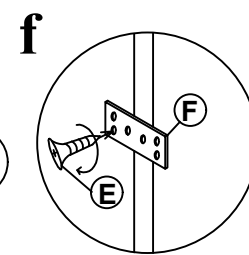
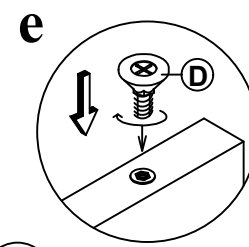
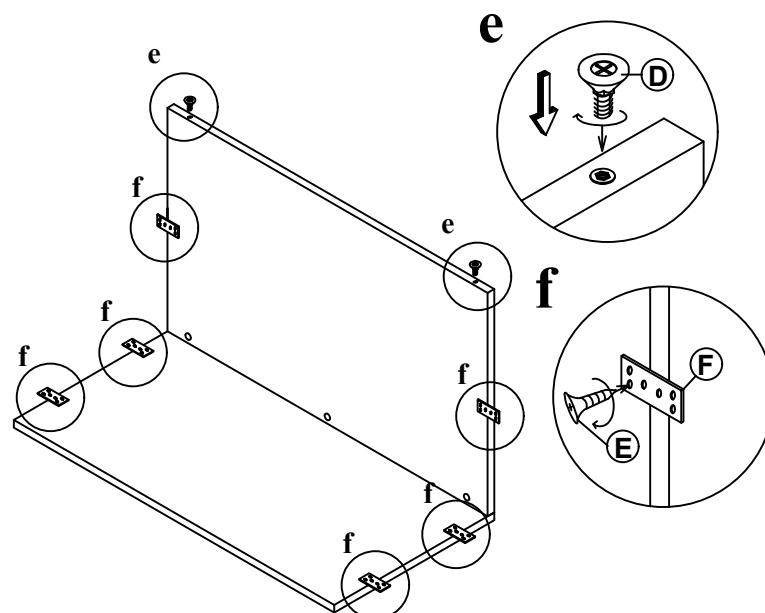


D x 2



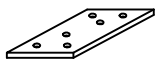
2

E x 36 (M3.5 x 16mm)

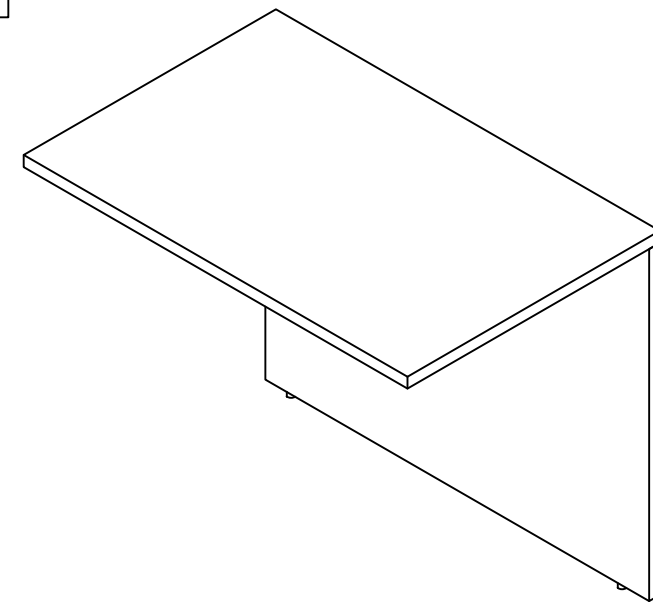
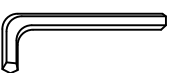


3

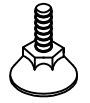
F x 6



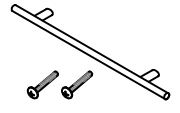
G x 1



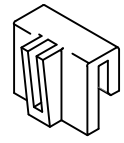
A x 4



B x 3



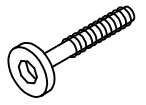
C x 2



D x 1 (300 x 16 x 3mm)



E x 4 (M6 x 35mm)



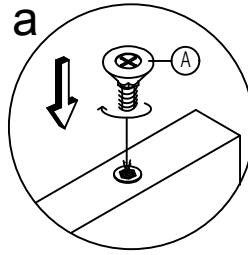
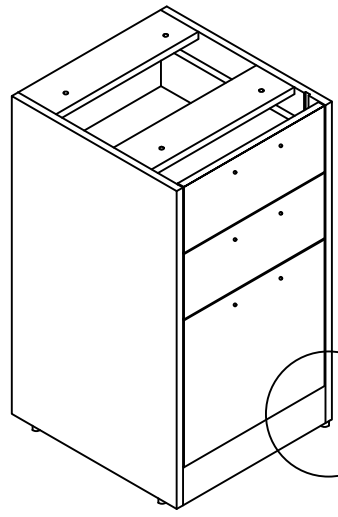
F x 4 (1/4)



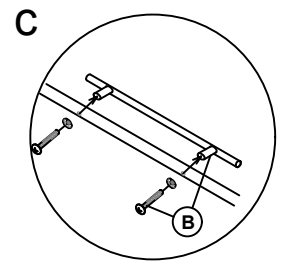
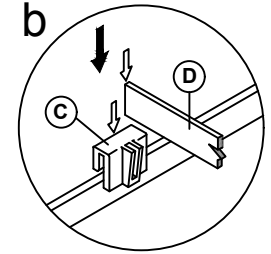
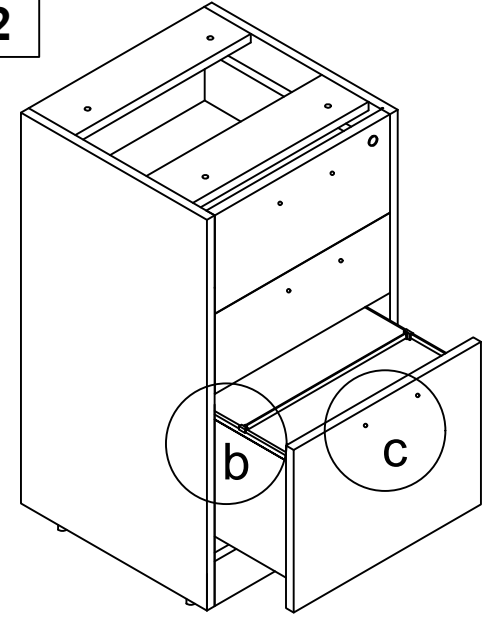
G x 1



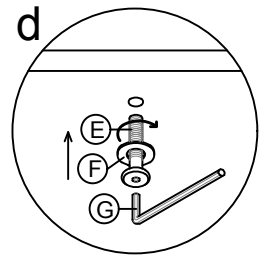
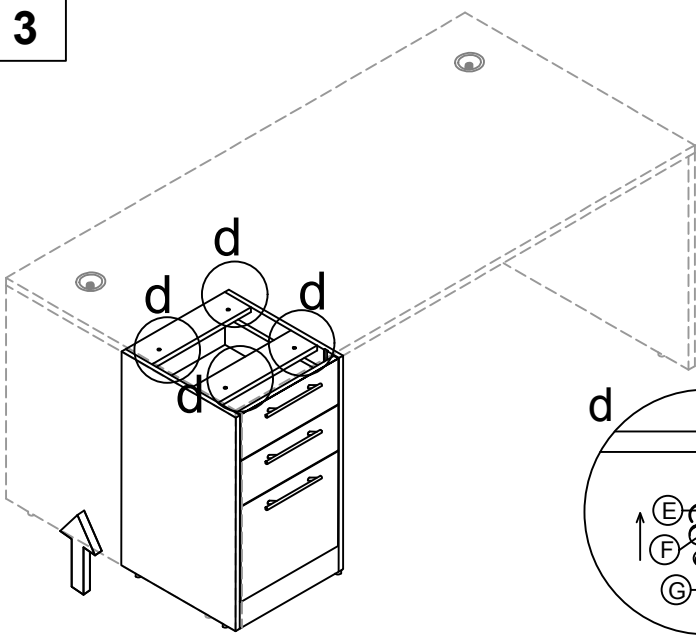
1



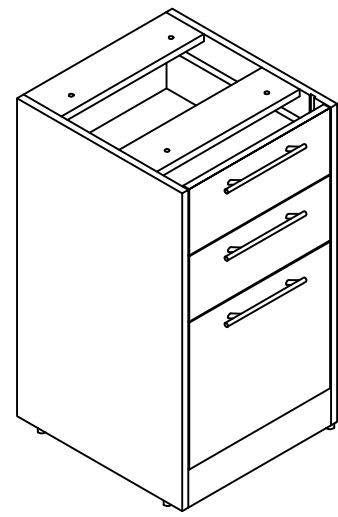
2



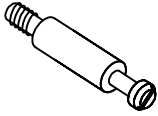
3



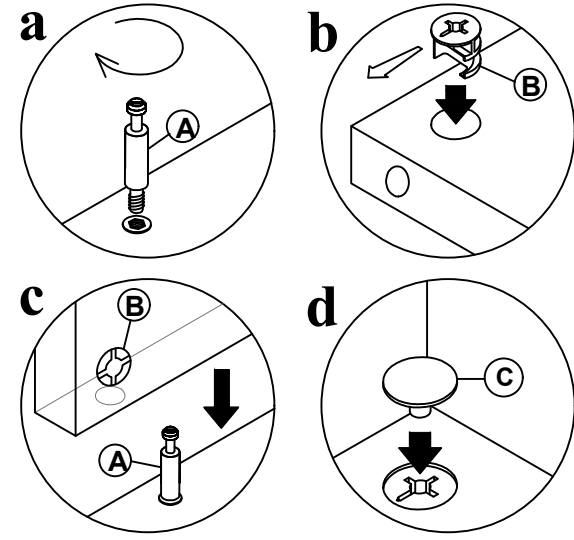
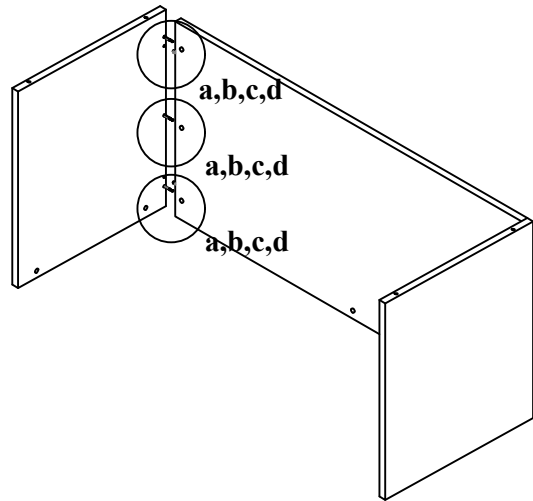
4



A x 11



1



B x 11



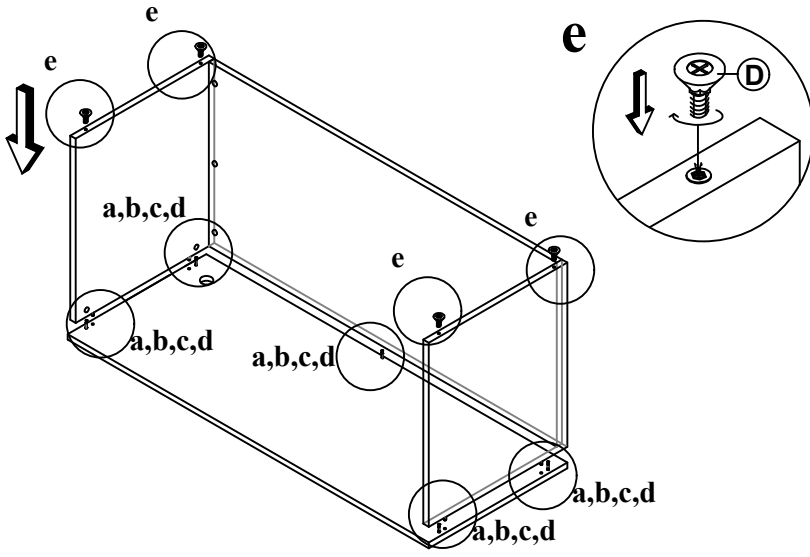
C x 11



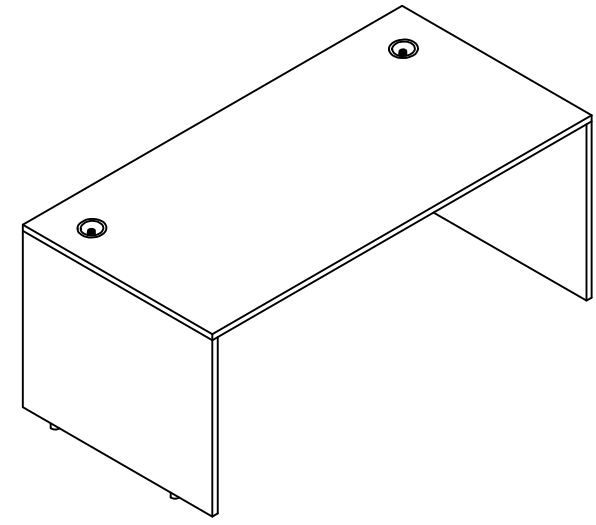
D x 4



2



3



E x 1

