



Model #: Y14441

Description: Big & Tall Chair

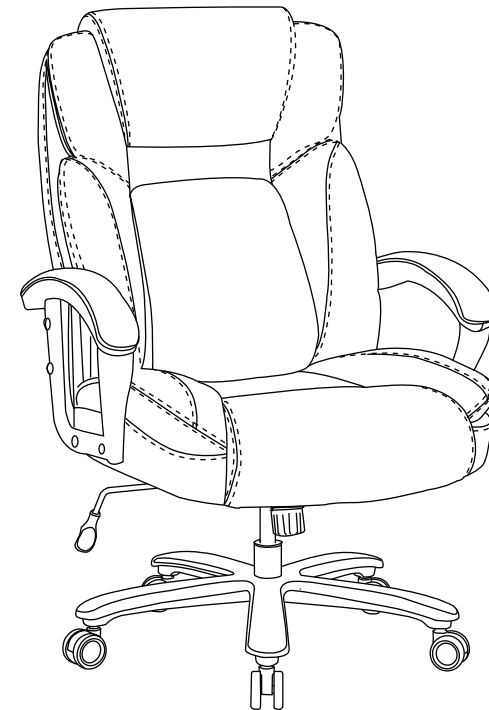
Assembly & Operating Instructions



www.modernofficefurniture.com

Customer Service

Tel:1-800-443-5117 8:30AM to 5PM M-F Central



Please read the instruction sheet(s) completely before assembly.

Maximum Weight Load: 500 LBS

Before You Begin

Please identify all component parts and hardware pieces required before you begin. Carefully remove all of the components from the packing and set aside for assembly. Assemble on a soft surface to prevent scratching during assembly.

Caution:

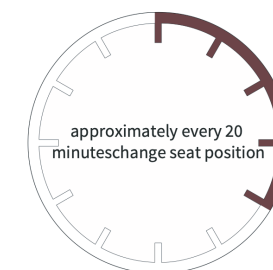
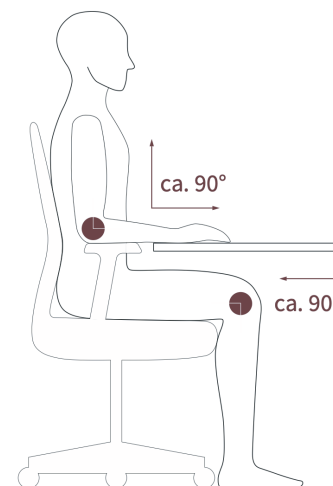
Tighten all components securely before use. Failure to do so may result in personal injury. DO NOT use any sharp objects to open plastic wrapped components as damage to product or components may result.

For best user safety, conduct regular check of nuts and bolts to insure they are always tight and secure.

Warning:

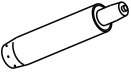


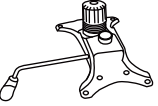

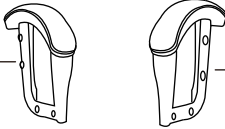

CHOKING HAZARD - Small Parts. Adult Assembly Required.

DO NOT ALLOW CHILDREN TO CLIMB ON FURNITURE.







Position chair so your feet are flat on the floor, and lower legs are at a 90-degree angle (or better) relative to upper legs.

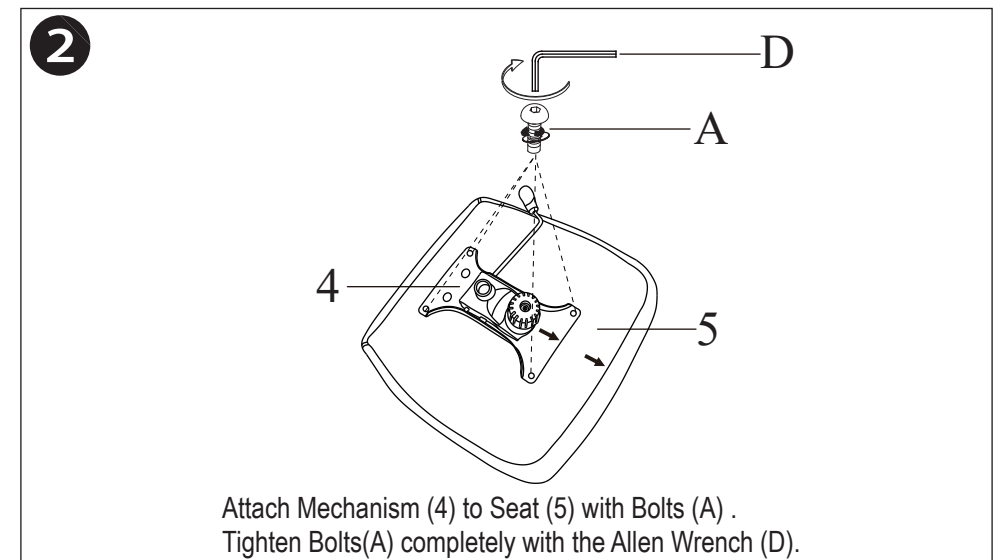
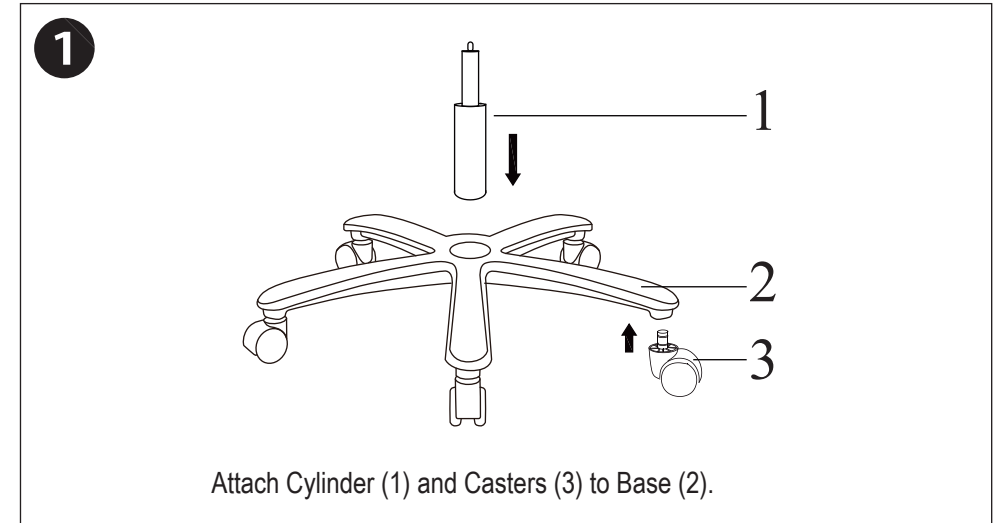
Part List

<p>1</p>  <p>Cylinder x 1 pcs</p>	<p>2</p>  <p>Base x 1 pcs</p>	<p>3</p>  <p>Caster x 5 pcs</p>
<p>4</p>  <p>Mechanism x 1 pcs</p>	<p>5</p>  <p>Seat x 1 pcs</p>	<p>6</p>  <p>6R — 6L</p> <p>Armrest x 2 pcs</p>
<p>7</p>  <p>Backrest x 1 pcs</p>		

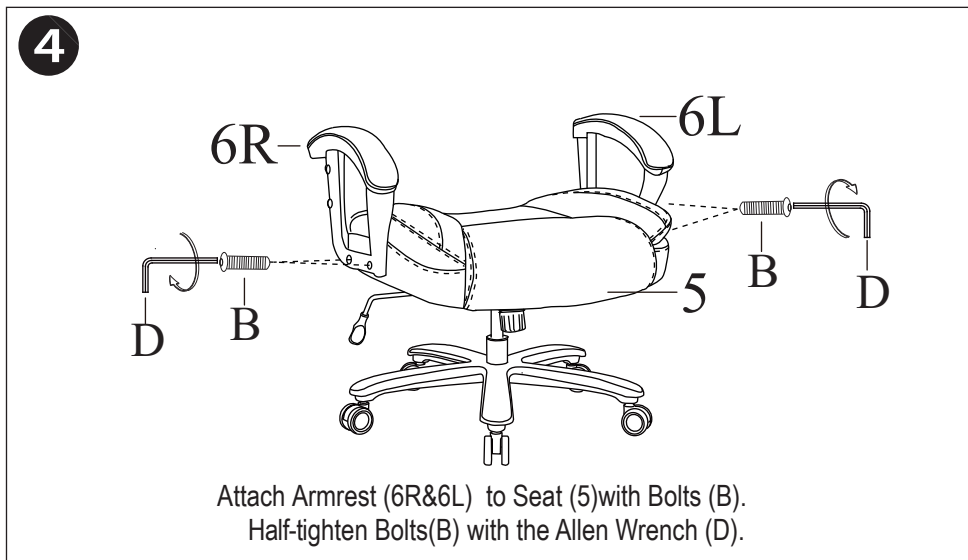
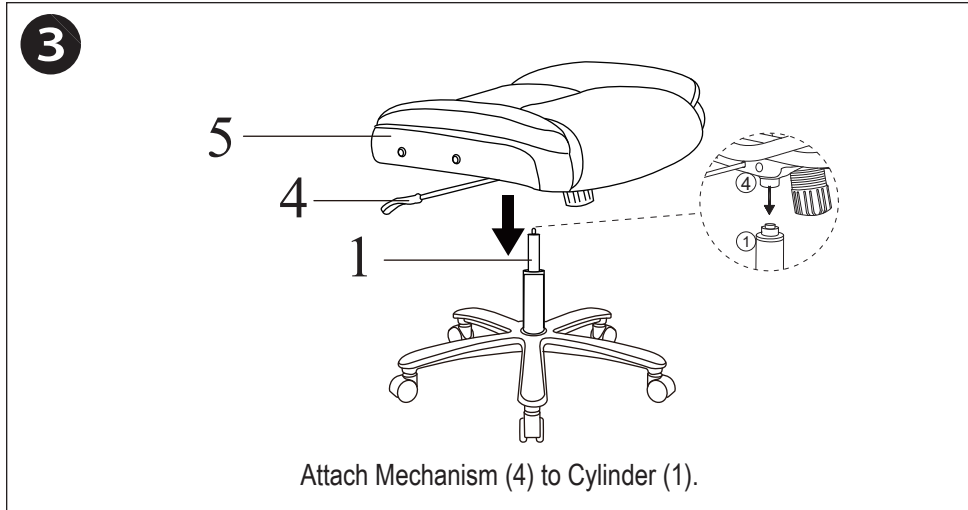
Hardware List

<p>A</p> 	<p>M6 x 20mm X 4 pcs</p>	<p>B</p> 	<p>M8 x 35mm X 8 pcs</p>
<p>C</p> 	<p>Caps x 8 pcs</p>	<p>D</p> 	<p>Allen Wrench X 1pcs</p>

Installation Steps

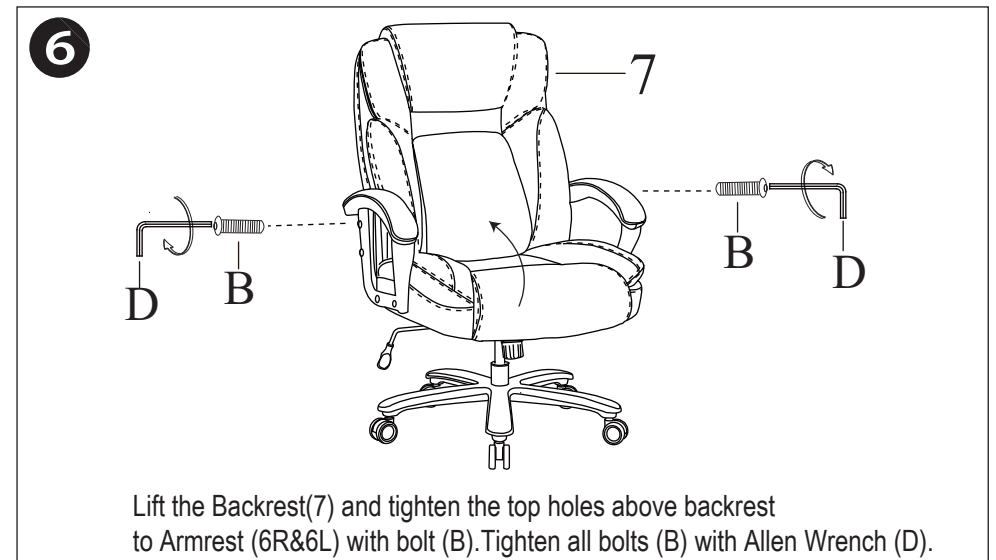
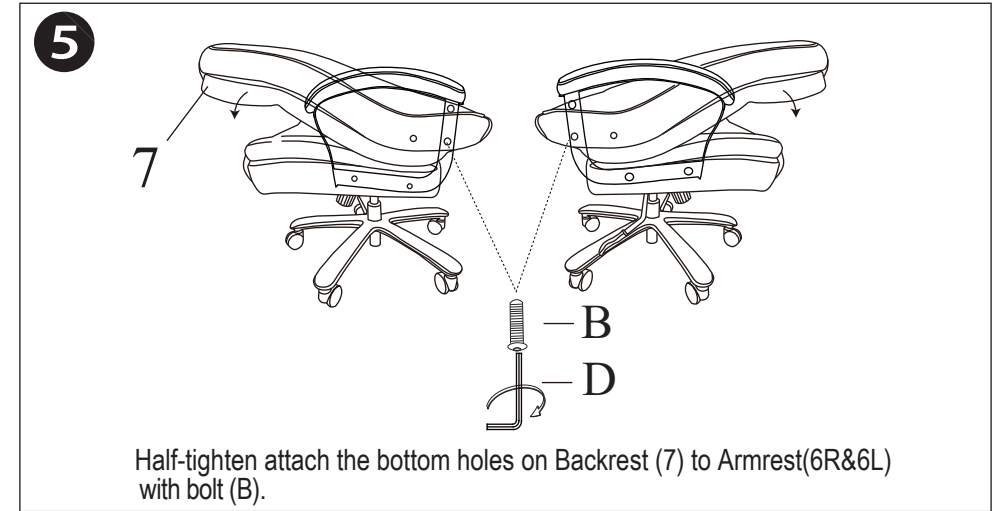


Installation Steps



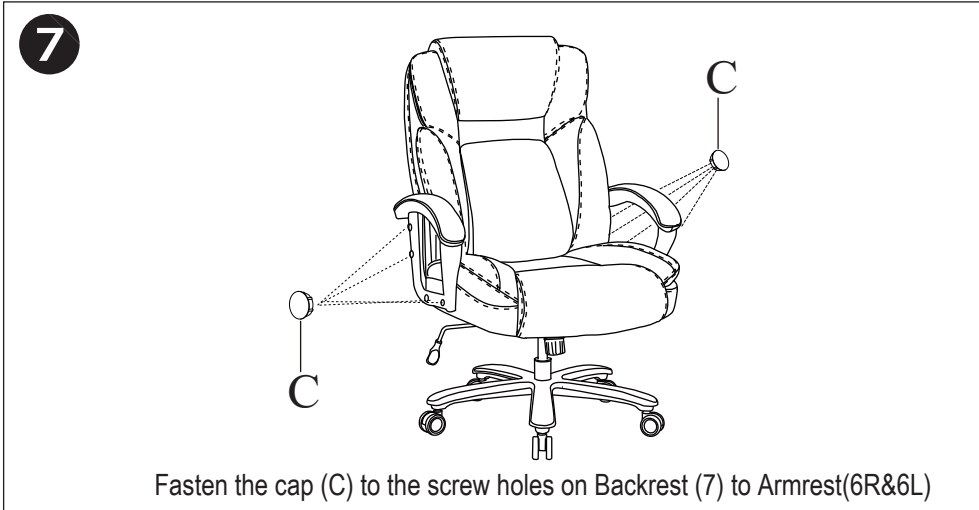
5

Installation Steps



6

Installation Steps



Care Instructions

1. Daily Dust Removal: Wipe off dust from the surface gently with a clean soft cloth or feather duster every week. Use a soft brush to sweep dust out of crevices.
2. Stain Treatment: For water stains and minor dirt, blot and wipe immediately with a slightly damp soft cloth without rubbing vigorously. For stubborn stains, apply a small amount of special leather cleaner gently and then polish with a dry cloth.
3. Prohibited Items: It is strictly forbidden to use chemical solvents such as alcohol, gasoline, dish soap, or bleach, as they may cause discoloration, cracking or hardening of the leather.
4. Regular Maintenance: Apply genuine leather care oil or lotion evenly every 1 – 3 months to nourish the leather and keep it soft and glossy.
5. Clean, check and tighten parts regularly.

Functionality



* Chair Height Adjustment

- To increase chair height pull lever upward while lifting body weight slightly off the seat.
- Release lever at desired height.
- To lower chair height sit fully into the chair and pull lever upward.
- Release lever at desired height.



* Chair Tension Adjustment

- Pull lever out to unlock & allow chair to tilt back & forth



* Chair Tension Speed Adjustment

- Turn continuously to adjust how quickly Chair tilts back & forth.

