



Model #: Y14442

Description: Ergonomic Office Chair

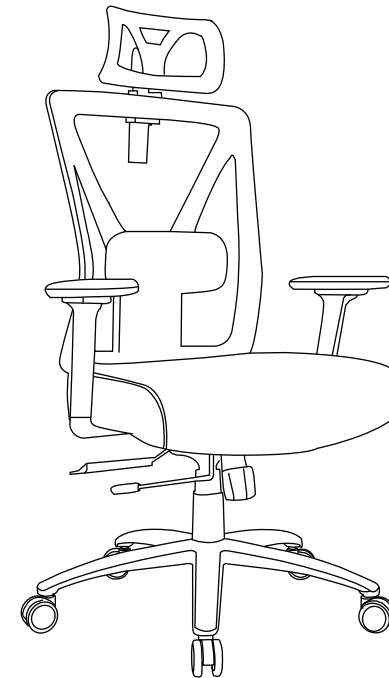
### Assembly & Operating Instructions



[www.modernofficefurniture.com](http://www.modernofficefurniture.com)

#### Customer Service

Tel:1-800-443-5117 8:30AM to 5PM M-F Central



Please read the instruction sheet(s) completely before assembly.

*Maximum Weight Load: 400 LBS*

## Before You Begin

Please identify all component parts and hardware pieces required before you begin. Carefully remove all of the components from the packing and set aside for assembly. Assemble on a soft surface to prevent scratching during assembly.

### Caution:

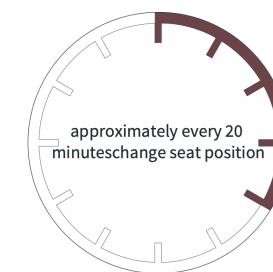
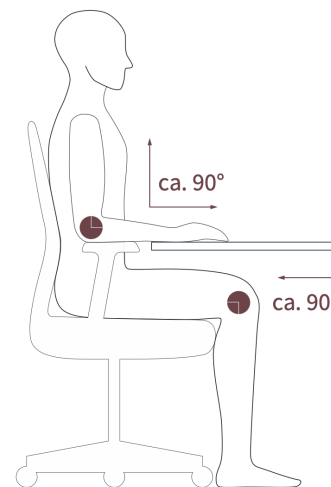
Tighten all components securely before use. Failure to do so may result in personal injury. DO NOT use any sharp objects to open plastic wrapped components as damage to product or components may result.

For best user safety, conduct regular check of nuts and bolts to insure they are always tight and secure.

### Warning:

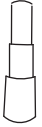



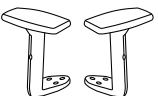

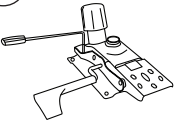




CHOKING HAZARD - Small Parts. Adult Assembly Required.

DO NOT ALLOW CHILDREN TO CLIMB ON FURNITURE.







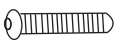



Position chair so your feet are flat on the floor, and lower legs are at a 90-degree angle (or better) relative to upper legs.

### Part List

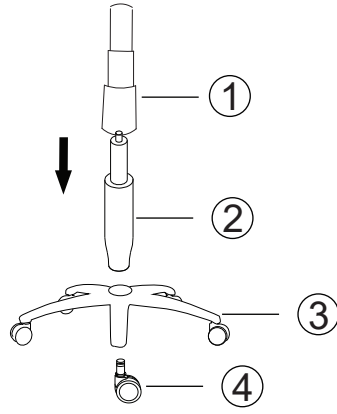
<b>1</b>  Cylinder Cover x 1	<b>2</b>  Cylinder x 1	<b>3</b>  Base x 1	<b>4</b>  Casters x 5
<b>5</b>  Arms x 1	<b>6</b>  Seat x 1	<b>7</b>  Mechanism x 1	<b>8</b>  J-bar Back Support x 1
<b>9</b>  Back x 1	<b>10</b>  Back cover x 1	<b>11</b>  Headrest x 1	

### Hardware List

<b>A</b> 	M6 x30 mm x 6 pcs	<b>E</b> 	Washer#18 x 4 pcs
<b>B</b> 	Washer#14 x 6 pcs	<b>F</b> 	M8 x20 mm x 3 pcs
<b>C</b> 	M6 x30 mm x 4 pcs	<b>G</b> 	M6 x20 mm x 1 pcs
<b>D</b> 	M6 x35 mm x 4 pcs	<b>H</b> 	Allen Wrench x1 pcs

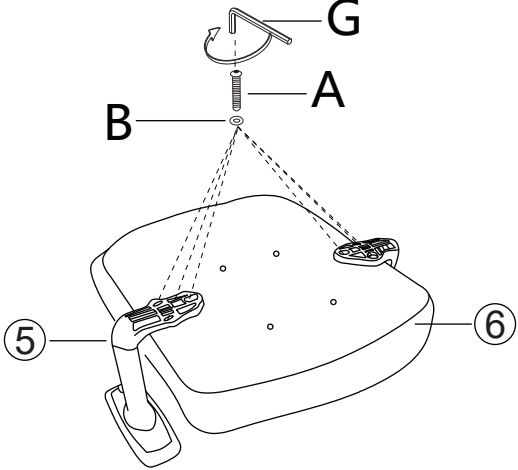
### Installation Steps

**1**



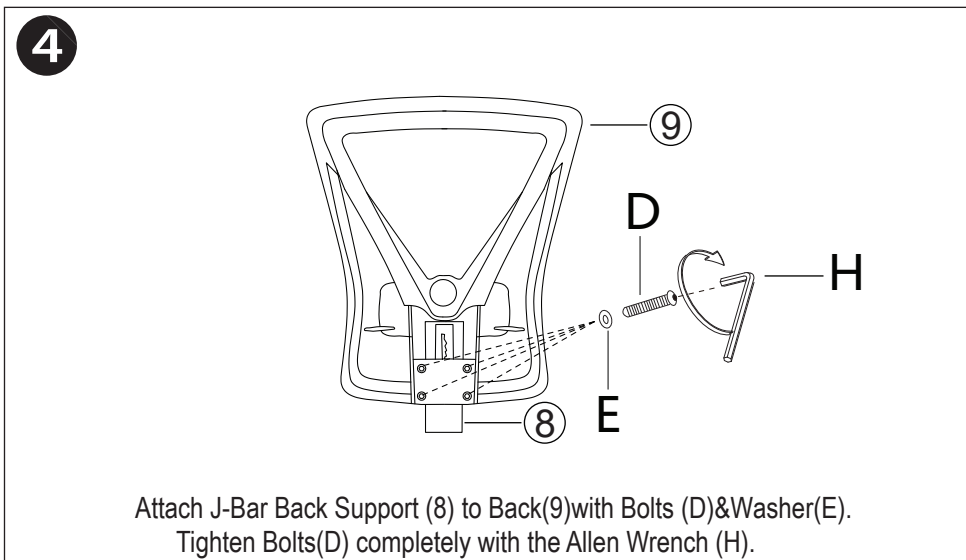
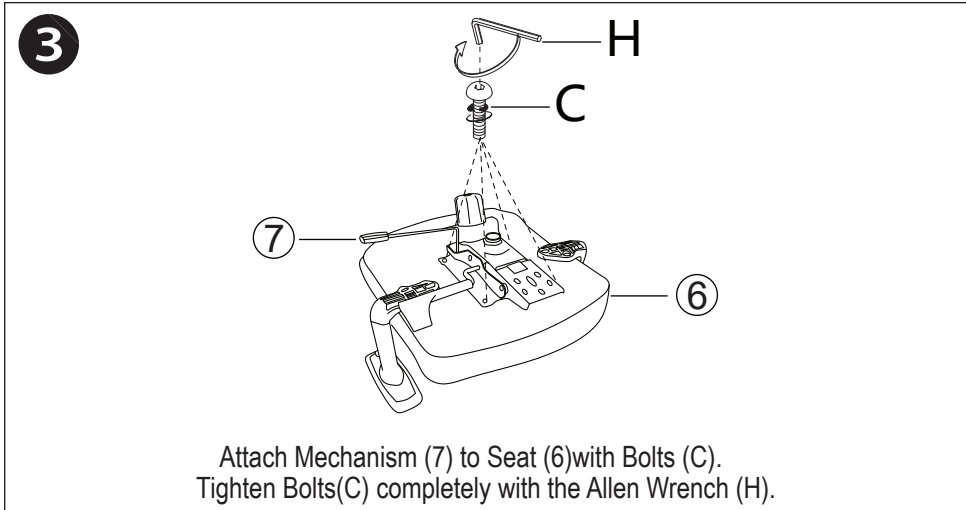
Attach Cylinder Cover(1) and Cylinder (2) to Base (3).  
Attach Casters(4) to Base (3).

**2**



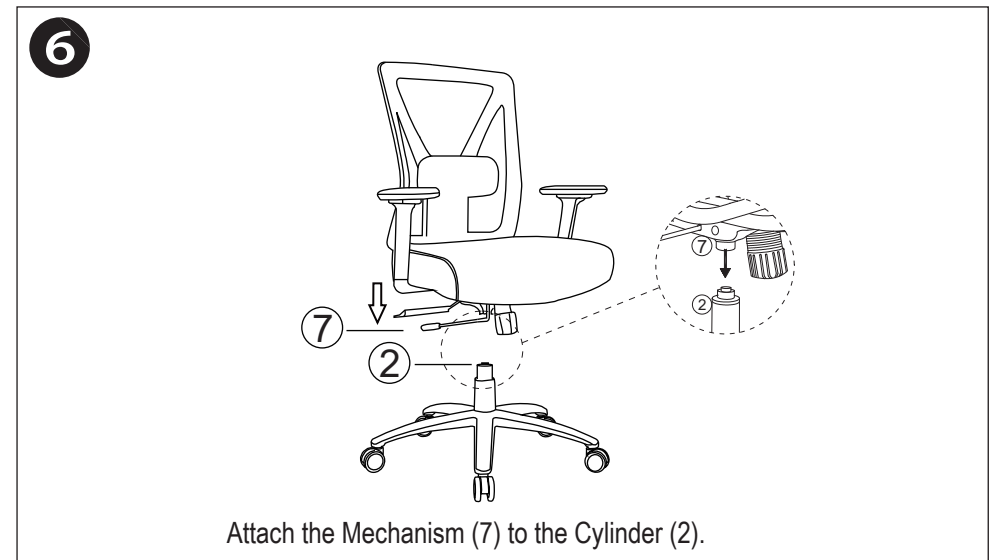
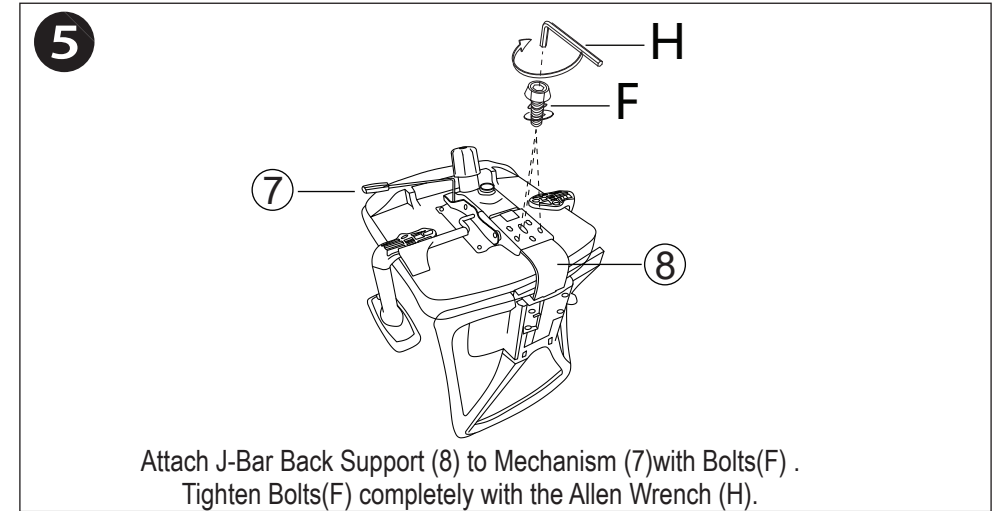
Attach Arms (5) to Seat (6) with Bolts (A) and Washers (B).  
Tighten Bolts(A) completely with the Allen Wrench (G).

### Installation Steps



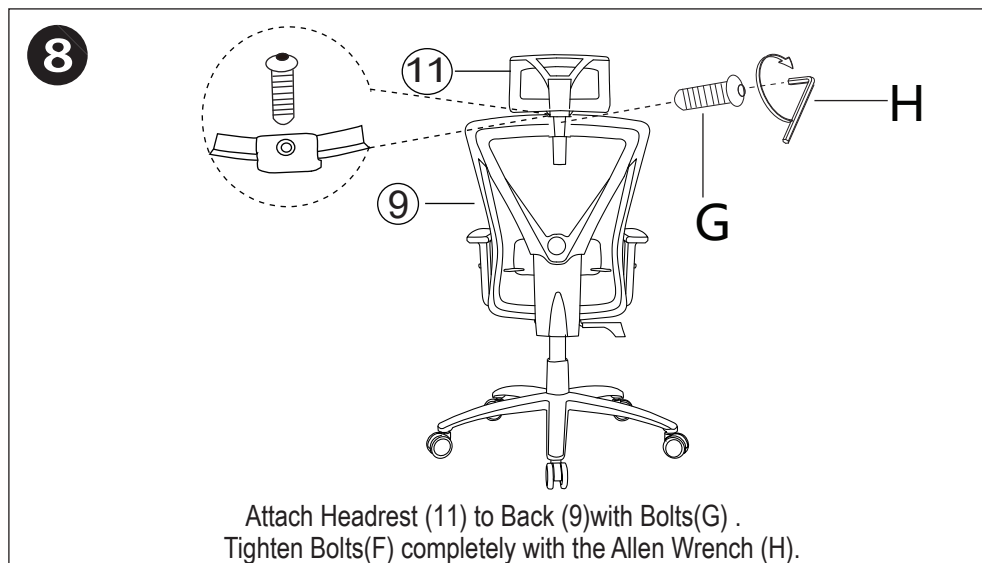
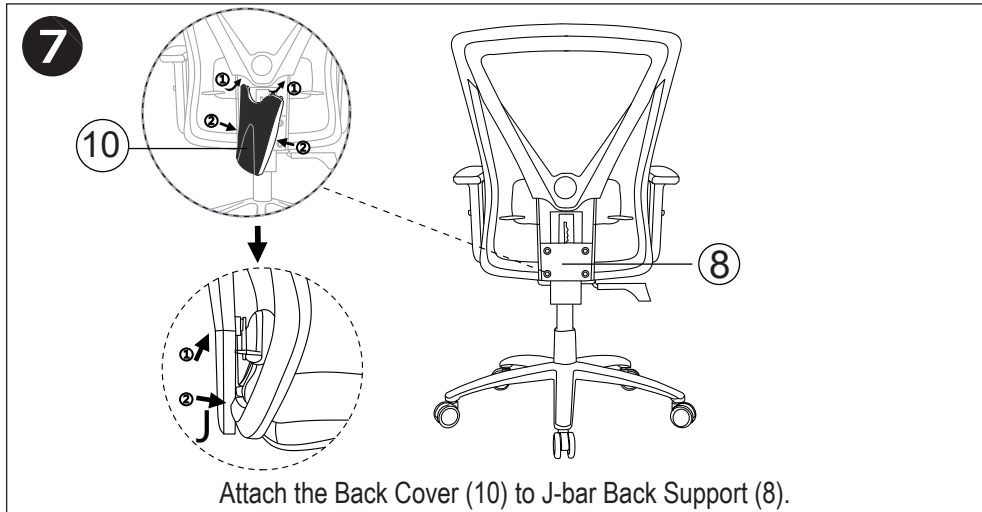
5

### Installation Steps

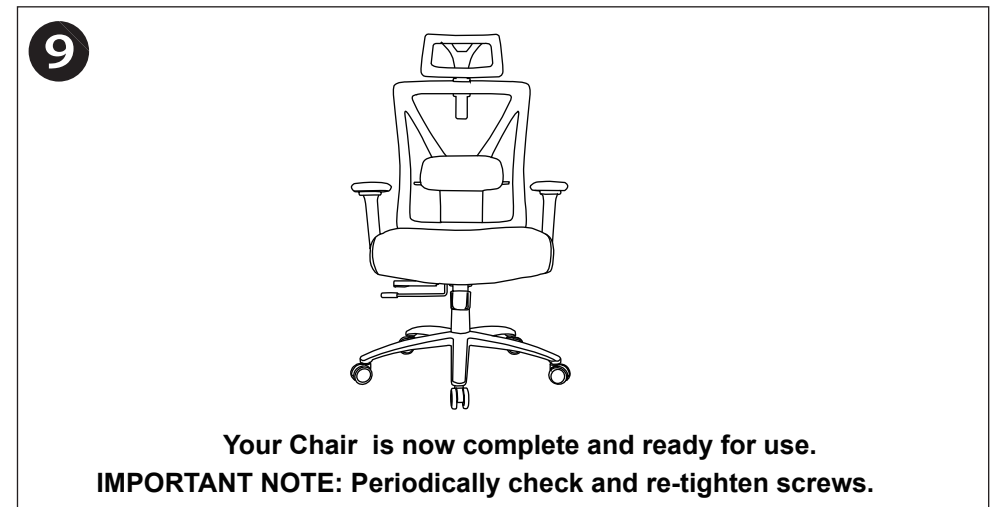


6

## Installation Steps



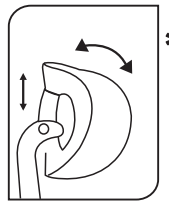
## Installation Steps



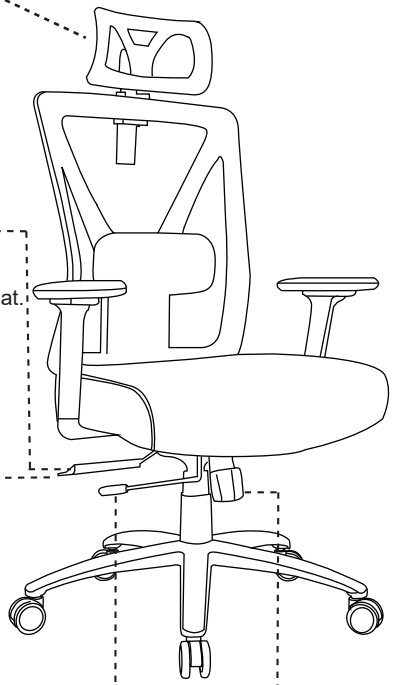
## Care Instructions

- #Vacuum regularly
- #To maintain the appearance of non-upholstered parts, wipe the surface with a clean cloth dampened with a mild soap solution .
- #Do not saturate fabric or interior with water or other cleaning products.
- #Keep away and protect from direct sunlight and heat.
- #Treat spills immediately with an absorbent cloth by blotting the spill.
- #Clean, check and tighten parts regularly.

# Functionality



**\* Adjustable Headrest**



**\* Chair Height Adjustment**

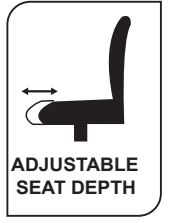
-To increase chair height pull lever upward while lifting body weight slightly off the seat.  
-Release lever at desired height.  
-To lower chair height sit fully into the chair and pull lever upward.  
-Release lever at desired height.



**\* Chair Tilt**

-Sitting in the chair flick the paddle out.  
-Lean back or forwards until you are in a comfortable sitting positions(the chair has 4 lock positions).  
-Lock the position by pulling the paddle in.

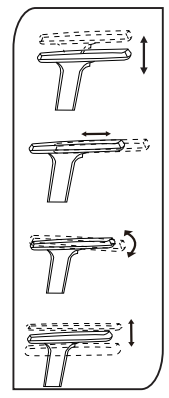
-To release the chair tilt, flick the paddle out, lean into the backrest until you hear a click. Chair should now tilt forwards.  
-Lock the position by flicking the paddle in.



**\* Seat Depth Adjustment**

-To pull lever upward and move the seat to forwards and backwards.

**\* Adjustable Tilt Tension Control**



**\* Up/down**

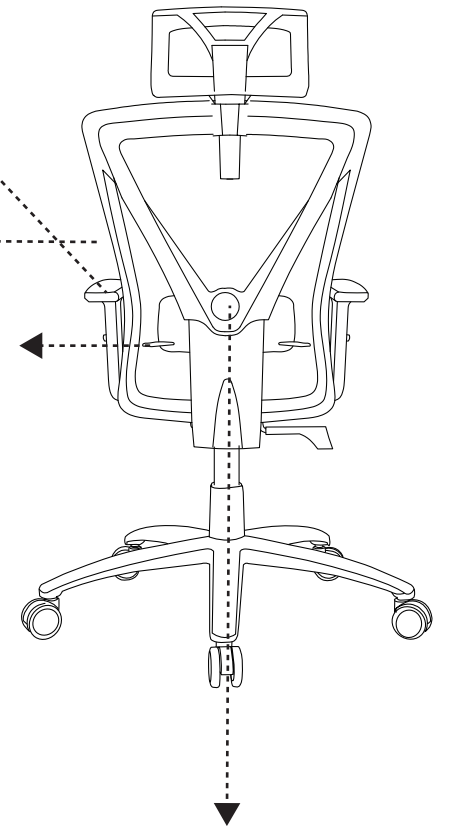
**\* Back/forth**

**\* Leftward/Rightward**

**\* Inward/outward**

**\* Back Height Adjustment**

**\* Lumbar support Height Adjustment**



**\* Lumbar support Inward/outward Adjustment**

-Turn knob continuously to adjust lumbar support inward or outward..