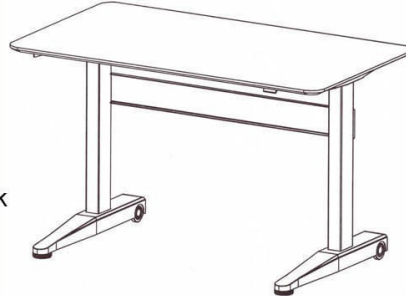


Y12687 -Y12789 Pneumatic Sit-Stand Tilt & Roll Table Assembly Instructions

Find our assembly video under "Assembly Instructions" on our website or at the link below:

<https://bcove.video/2VQGBEk>



Tools Needed:

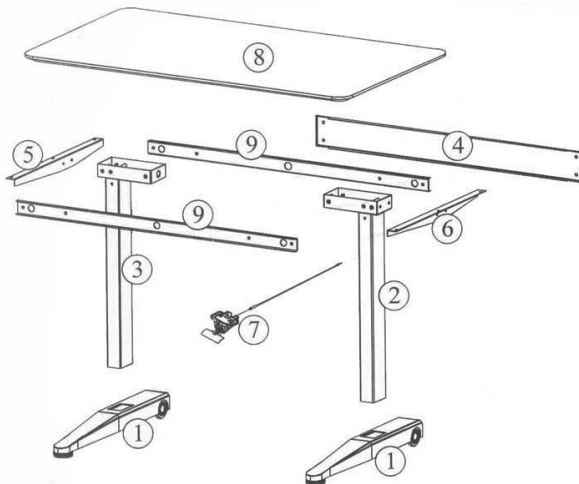


Power Screwdriver or a Phillips Screwdriver

Questions? Please call 1-800-443-5117.

Customer Service available 8:30 - 5:00 Central Time, Monday - Friday

List of Parts:

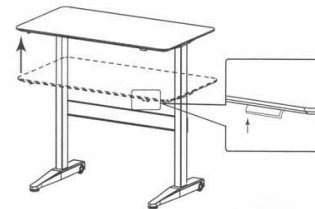


- | | |
|----------------------------|-----------------------------|
| 1 - Foot | 6 - Right Table Top Support |
| 2 - Right Leg | 7 - Paddle/Pneumatics |
| 3 - Left Leg | 8 - Table Top |
| 4 - Front Brace | 9 - Cross Beam |
| 5 - Left Table Top Support | |

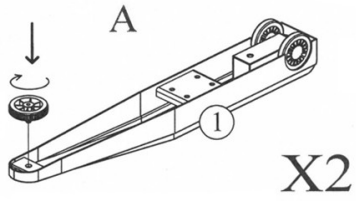
List of Hardware:

- A Leveling Glides x 2
- B M6x12mm Bolt x 12
- C M6x25mm Bolt & Washer x 8
- D M8 x10mm Bolt & Washer x 4
- E Wood Screws for Table Top and Paddle x 8
- F Allen Wrench x 1
- G Wrench x 1
- H Cable Clamp x 3
- I Wood Screw for Cable Clamps

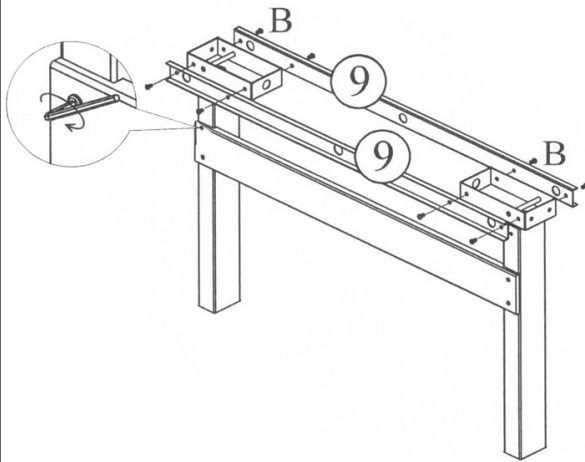
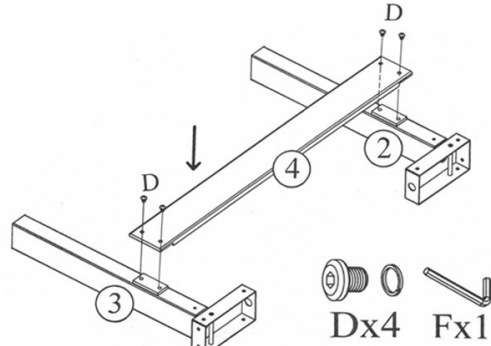
To use: Once assembled, squeeze paddle to raise the table top. To lower, squeeze paddle and push down with your free hand or arm. To roll, tilt the table onto the caster side of the base.



Step 1.) Insert "A" Leveling Glides into both Feet.

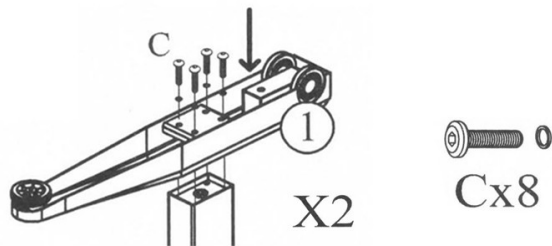


Step 2.) Use the "F" Allen Wrench and "D" screws and washers to attach Front Brace to both Legs. LEAVE SCREWS LOOSE FOR NEXT STEP! DO NOT FULLY TIGHTEN!

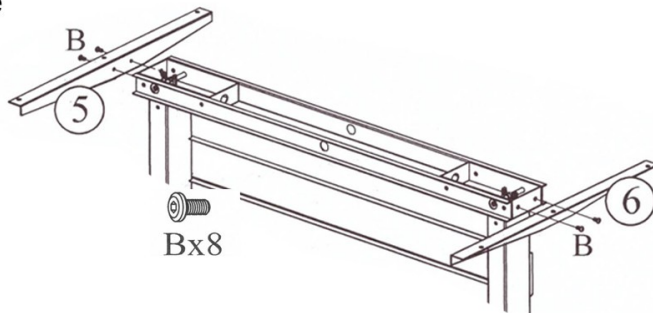


Step 3.) Use the "F" Allen Wrench to attach both Cross Beams with the "B" Screws. Then, fully tighten all screws, including those from the previous step.

Step 4.) Use the "F" Allen Wrench to attach the Feet to the Legs with the "C" Screws and Washers.



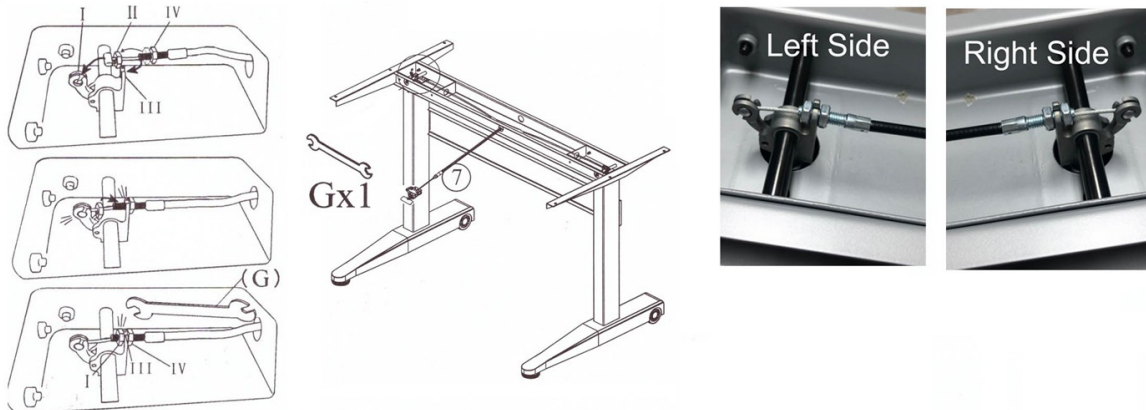
Step 5.) Attach Left and Right Side Table Top Supports using "F" Allen Wrench and "B" Bolts.



Step 6.) Insert the cables as shown in the diagrams below. Leave the nuts slightly loose.

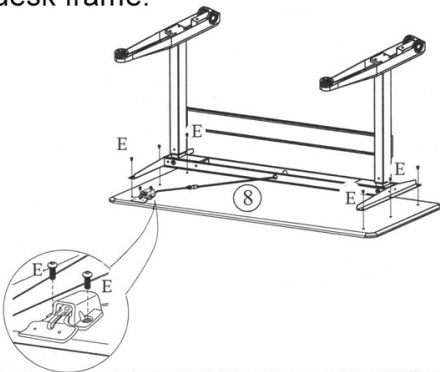
Now it is time to adjust the pneumatic cables on your table frame. This step is essential to the operation of the desk. Make sure the threaded ends of the cables are pulled through the bracket towards the center of the desk, as far as they can go. Then, use the “G” Wrench to tighten, once you have tested it to make sure the frame moves up/down.

See our video detailing this step at <https://bcove.video/2VQGBEk>



Step 7.) The next step is to attach the table top to the frame. Flipping the frame upside down is optional, but easier to assemble this way. Center the table top on the frame. Using a power Phillips screwdriver, use the “E” Wood Screws to drill through the holes in the frame into the underside of the table top. Use three screws on each side, for a total of 6. Once your table top is attached, use two additional “E” Wood Screws to attach the paddle to the underside of the top, along the edge, on either the left or right side. This step is also shown in our video referenced above.

Special Note There are no piloted holes for attaching the table top or paddle. The “E” screws are self-drilling so you are making your own holes. You may see threaded inserts on your table top. Please disregard those as those are not for attaching this desk frame.



Step 8.) The last step is to attach the “H” cable clamps to the underside of the table top. Use the self-drilling “I” Wood Screws.

