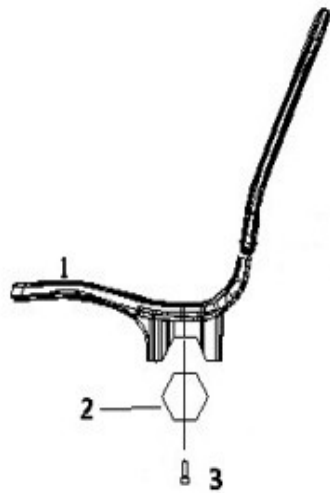


# Airport Beam Seater Assembly Instructions

Applies towards single seater, 3-seater, 4-seater and 5-seater

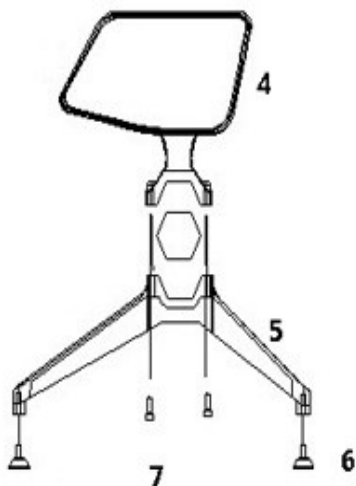


1.) Turn the seats upside down or onto a table. Attach the #1 Seat Shell(s) to the #2 Beam using the #3 Screws.

2.) Attach the #4 armrests and the #5 Legs to the #2 Beam using the #7 Screws.

3.) Insert the #6 Leveling Glides into the #5 Legs.

4.) With a helper, turn the beam seater upright.



Part No.	Description	1-Seater	3-Seater	4-Seater	5-Seater
1	Seat	1	3	4	5
2	Beam	1	1	1	1
3	Screw - M8*25	2	6	8	10
4	Armrest	2	2	2	2
5	Leg	2	2	2	3
6	Leveling Glide	4	4	4	6
7	Screw - M8*10	4	4	4	6

Questions? Please call 1-800-443-5117.

Customer Service available 8:30 - 5:00 Central Time, Monday - Friday