



# MODERN OFFICE WTT ASSEMBLY INSTRUCTION

## Small Office Electric Lift Height Adjustable Table/Return/Bridge

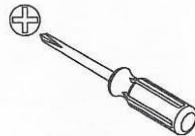
For Y12386, Y12387 and Y12388 Desks,  
Adjustable Bridge for Y12382 U-Desk,  
Adjustable Return for Y12383 & Y12384 L-Desks  
and Y12407 cubicle add-on

(TT-SILVER + Desktop)

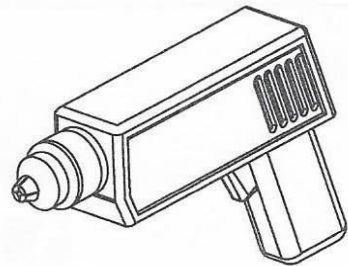


Questions? Please call 1-800-443-5117.  
Customer Service available 8:30 - 5:00 Central Time, Monday - Friday

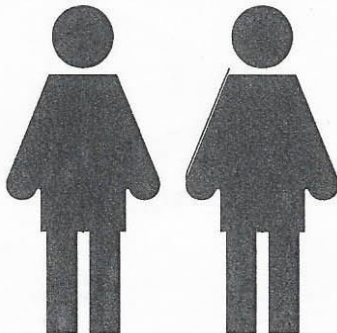
### Tools Needed:



Phillips Screwdriver



Power Screwdriver



WICHTIG - FÜR SPÄTERE VERWENDUNG  
AUFBEWAHREN - SORGFÄLTIG LESEN

AVIS - Ces instructions doivent être sauvegardées  
Pour utilisation future - Les instructions doivent  
être suivies

IMPORTANTE, conservar estas instrucciones  
para futuro uso. Siga estas instrucciones atentamente

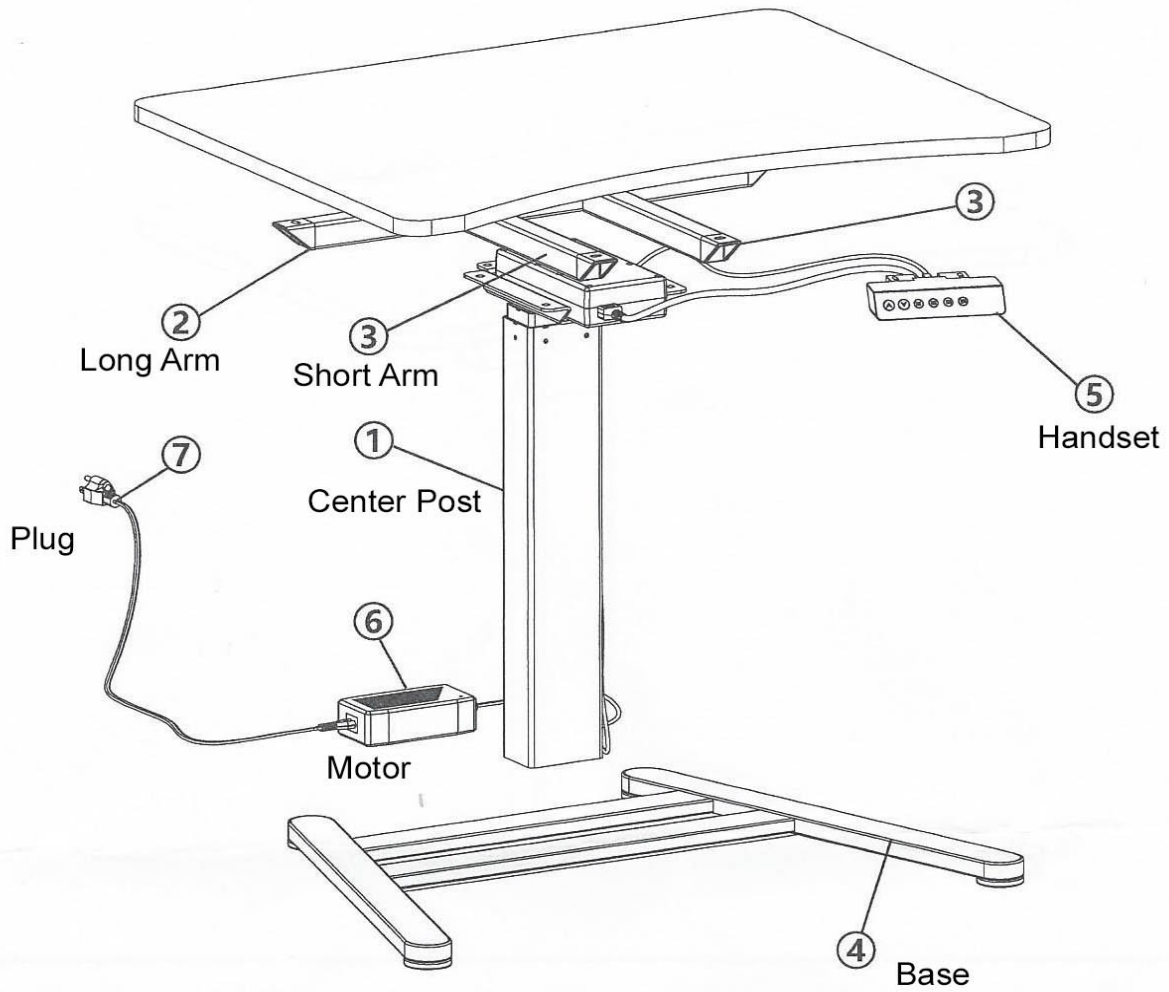
VIGTIGT - Samlevejledningen skal opbevares  
i arkiv til senere brug - Skal gennemlæses nøje

NOTICE - These instructions must be saved  
for future use - Instructions must be followed


List of Parts:

CHECK LIST


|      |   |   |   |   |   |   |   |
|------|---|---|---|---|---|---|---|
| NO.  | 1 | 2 | 3 | 4 | 5 | 6 | 7 |
| QTY. | 1 | 1 | 2 | 1 | 1 | 1 | 1 |




- A (6pcs)**




M8x10mm  
Machine Screw
  - B (4pcs)**




ST5.0x16mm  
(optional)  
Wood Screw
  - C (2pcs)**



ST4.2x16mm  
Wood Screw
  - D (4pcs)**



M8\*20  
Machine Screw
- E**



M5  
Allen Wrench

1

A (6pcs)



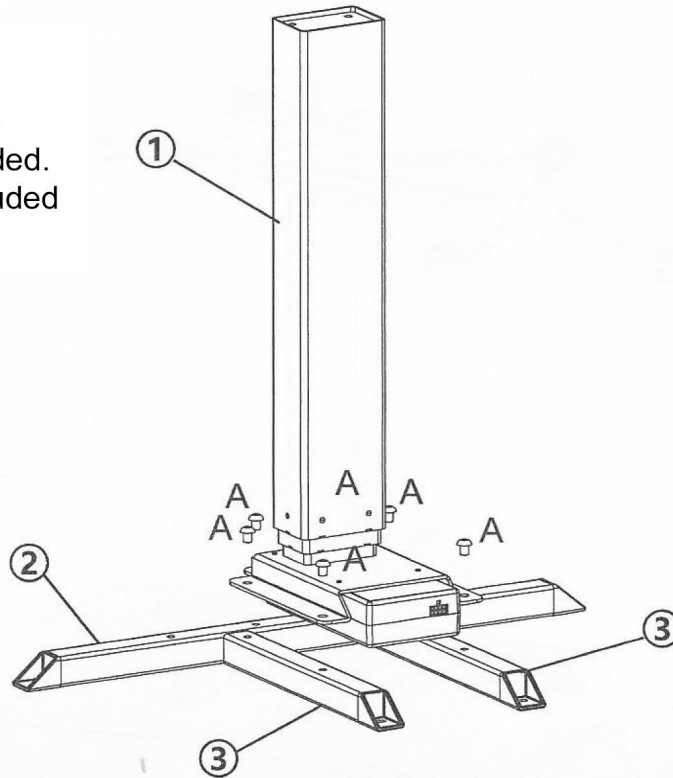
M8x10mm

E



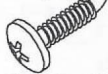
M5

Assemble upside down.  
Attach Center Post to the  
Long/Short Arms using the  
(A) Machine Screws provided.  
Use the Allen Wrench included  
to secure the screws.

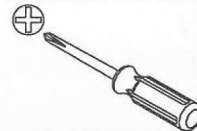


2

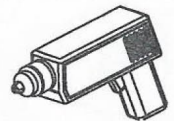
B (4pcs)



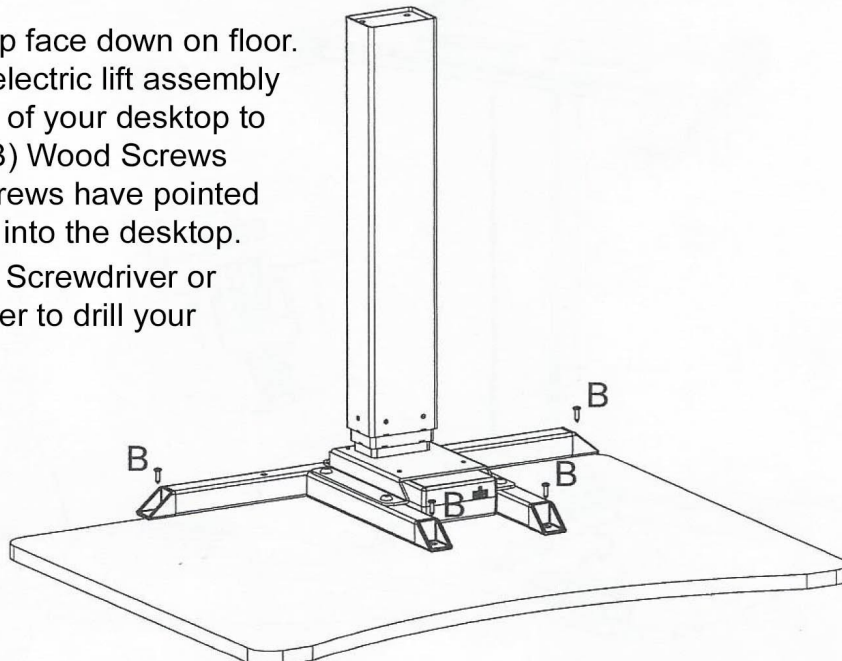
ST5.0x16mm (optional)



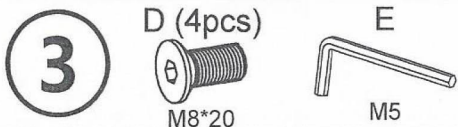
OR



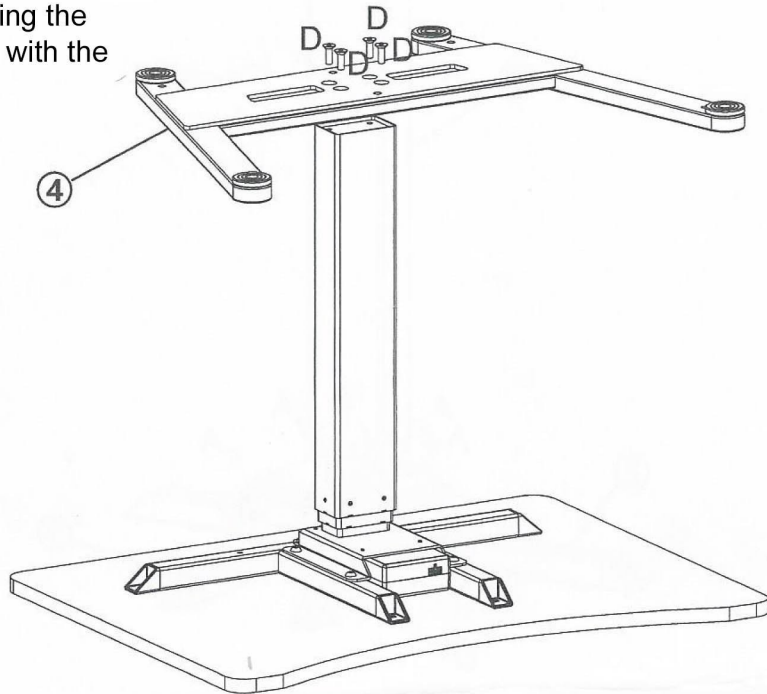
Turn your desktop face down on floor.  
Then, place the electric lift assembly  
on the underside of your desktop  
to attach with the (B) Wood Screws  
provided. The screws have pointed  
tips to easily drill into the desktop.  
Use your Phillips Screwdriver or  
Power Screwdriver to drill your  
own holes.



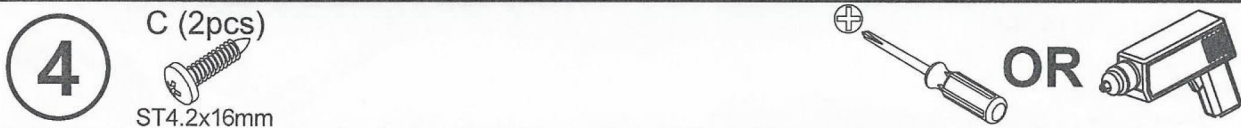
**3** D (4pcs) M8\*20 E M5



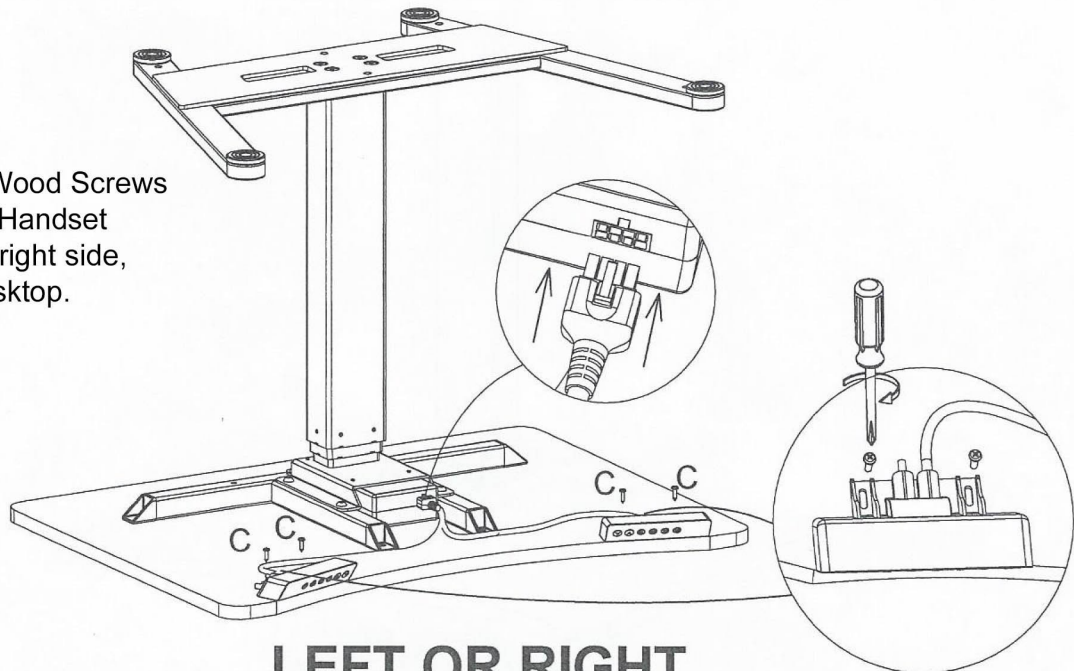
Attach the Base to the Center Post by using the (D) Machine Bolts with the Allen Wrench.



**4** C (2pcs) ST4.2x16mm



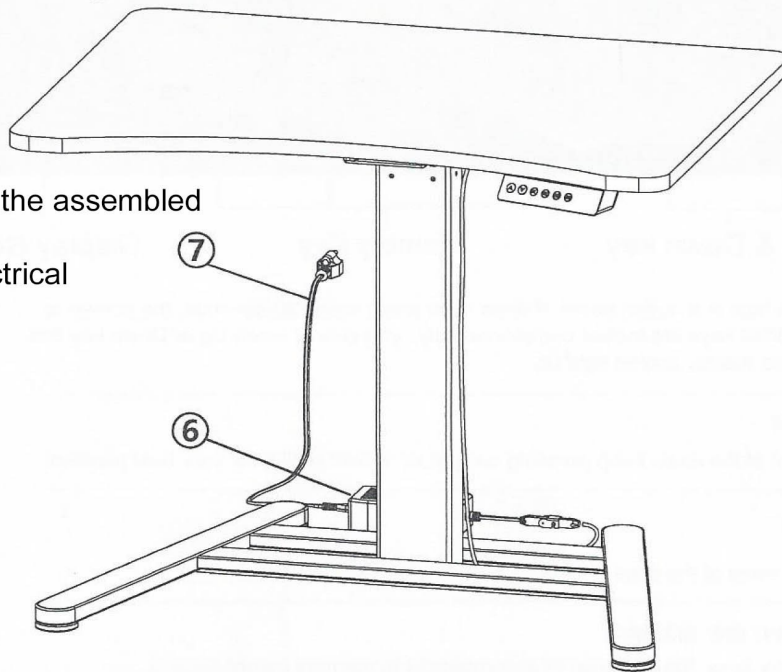
Use the (C) Wood Screws to attach the Handset on the left or right side, under the desktop.



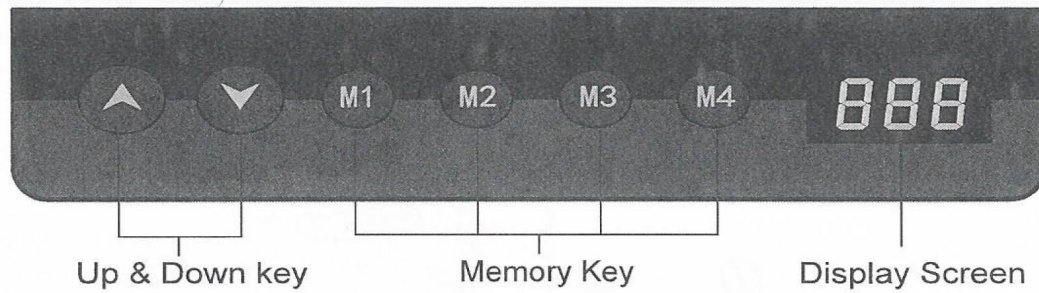
**LEFT OR RIGHT**

5

With a helper, turn the assembled desk right side up. Then plug into electrical outlet to use.



# Handset Instruction



The whole handset surface is a button panel. If there is no press within 30 seconds, the screen is locked and M1/M2/M3/M4 keys are locked correspondingly., you should press Up or Down key first, it can be used when the display screen light up.

## ■ Up or Down Key

To adjust the height of the desk, keep pressing on "up" or "down" until it fits your best position.

## ■ Display screen

Display the height value of the desk.

## ■ Memory Key (M1/ M2/ M3/ M4)

After setting memory keys, the desk can lift automatically to memory height.

※ How to set memory mode

Please keep pressing M1/M2/M3/M4 key for 5 seconds, until "be" sound, the memory height is successfully saved. Then press M1/M2/M3/M4, the desk moves to memory height automatically.

## ■ Safety function

When the desktop is on the rise or down, encountered reverse resistance, the desk will rebound.

## ■ Hot display

1, When desk keep working for 2 to 5 minutes, screen show "hot"

2, After the screen show "hot", press any key will not working, the handset can automatically reworking after 5 minutes.

## ■ Setting solution for desk function

