

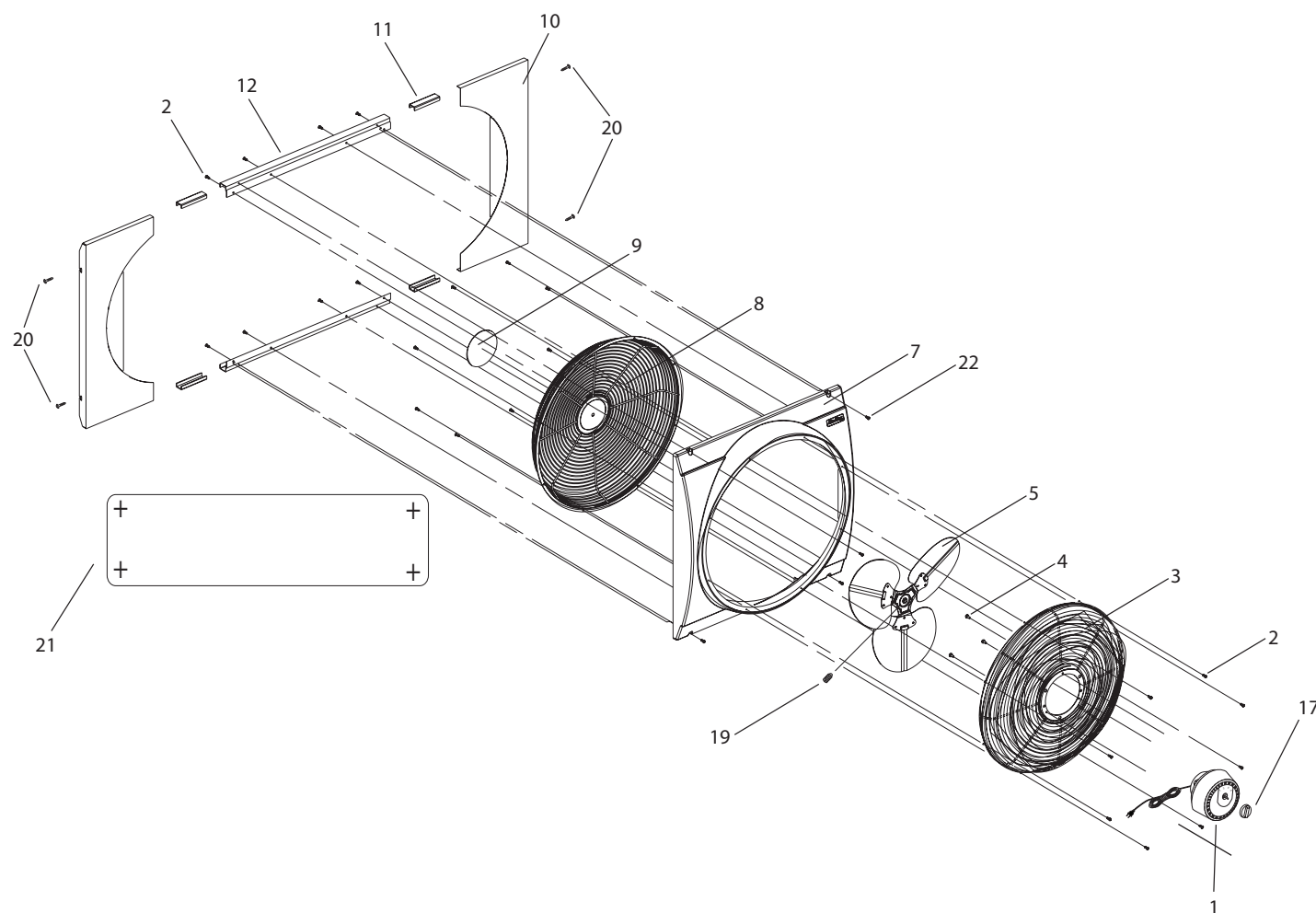


**20" WHOLE HOUSE WINDOW FAN**  
20" (50.8 cm) MODEL 3C614D/9166D

**READ AND SAVE THESE INSTRUCTIONS**

READ CAREFULLY BEFORE ATTEMPTING TO ASSEMBLE, INSTALL, OPERATE OR MAINTAIN THE PRODUCT DESCRIBED. PROTECT YOURSELF AND OTHERS BY OBSERVING ALL SAFETY INFORMATION. FAILURE TO COMPLY WITH INSTRUCTIONS COULD RESULT IN PERSONAL INJURY AND/OR PROPERTY DAMAGE!

**RETAIN INSTRUCTIONS FOR FUTURE REFERENCE.**



**DESCRIPTION**

The Air King® 20" (50.8 cm) Whole House Window Fan features three intake and three exhaust speeds. Fan will fit windows 27" (68.6 cm) to 38" (96.5 cm) wide x 26-1/4" (67.3 cm) high. The adjustable side panels are designed to accommodate Fan mounting either inside or outside interior window trim. The 3-paddle Fan blade is driven by a permanently lubricated, permanent split capacitor motor with 6' (1.8 m), 18/3 cord set.

**SPECIFICATIONS**

Motor ..... 120V, 50/60 Hz  
Blade diameter ..... 20" (50.8 cm)  
Speeds ..... 3 Intake, 3 Exhaust  
Control ..... Rotary Switch  
Approvals ..... ETL Listed. Close mesh Fan guard meets OSHA requirements.

MODEL	3C614D/9166D		
SPEED	HIGH	MED	LOW
CFM	3560	3120	2510
M <sup>3</sup> /s	1.68	1.47	1.18
RPM	1600	1450	1100
Amps	1.4	1.2	1.0
Watts	170	145	115
dB A	64	57	50

replaced with a properly grounded three-prong receptacle installed in accordance with the National Electrical Code (NEC) and all applicable local codes and ordinances. This work must be done only by a qualified electrician, using copper wire only. Contact your Grainger Distributor.

**WARNING: USE OF A THREE-PRONG TO TWO-PRONG ADAPTER IS NOT RECOMMENDED. IMPROPER CONNECTION MAY CREATE THE RISK OF ELECTROCUTION. USE OF SUCH ADAPTERS IS NOT PERMITTED IN CANADA.**

- Where possible, avoid the use of extension cords. If they must be used, minimize the risk of overheating by ensuring that they are UL listed. Never use a single extension cord to operate more than one Fan.
- Do not operate any Fan with a damaged cord or plug or after the Fan malfunctions, has been dropped or damaged in any manner. Return Fan to authorized service facility for examination, electrical or mechanical adjustment or repair.
- Do not insert or allow fingers or foreign objects to enter any ventilation or exhaust opening as it may cause an electric shock or fire, or damage the Fan. Do not block or tamper with the Fan in any manner while it is in operation.
- Always place the Fan on a stable, flat, level surface when operating, to avoid the chance of the Fan overturning. Locate the Power Cord so the Fan or other objects are not resting on it. Do not run Power Cord under carpeting. Do not cover Power Cord with throw rugs, runners, or the like. Arrange Power Cord away from room traffic and where it will not be tripped over.
- This Fan is not intended for use in wet or damp locations. Never locate a Fan where it may fall into a bathtub or other water container.
- Do not use Fan outdoors.
- This Fan is not suitable for use in agricultural facilities including areas where livestock, poultry or other animals are confined. Please refer to National Electric Code (NEC) Article 547-7 (2008), or applicable state or local codes or standards relating to electrical requirements for Agricultural Buildings. **THIS FAN DOES NOT MEET THE REQUIREMENTS OF NEC ARTICLE 547-7 (2008).**
- This Fan is not suitable for use in hazardous locations. Please refer to National Electric Code (NEC) Article 500 or applicable state or local codes or standards relating to electrical requirements for Hazardous locations. **THIS FAN DOES NOT MEET THE REQUIREMENTS OF NEC ARTICLE 500 (2008).**

**LISTE DES PIECES DE REMPLACEMENT**

Clé	No de Pièce	Description	Qte
1	02030113	Moteur Assemblage	1
2	2090008	Vis #8 x 1,27 cm de type PPH 25 ZP	24
3	05097110CG	Grille intérieure	1
4	5090045	Vis #10-32 x 1,27 cm HWH Serr F-ZP	3
5	5082090CH	Lame	1
7	2010722	Bâti	1
8	05097100CG	Grille extérieure	1
9	02084613	Plaque centrale	1
10	2060087	Panneau latéral	2
11	02090508	Guide en caoutchouc	4
12	2060086	Canal	2
17	05010109	Bouton de l'interrupteur	1
19	5090044	Vis de réglage 0,64 cm 28 x 0,95 cm	1
20	2091413	Vis à bois #8 x 1,91 cm	4
21	2084076	Gabarit	1
22	2090024	Vis #8 x 1,91 cm PPH de type 25 ZP	4

**GENERAL SAFETY INFORMATION**

**When using electrical appliances, basic precautions should always be followed to reduce the risk of fire, electric shock and injury to person, including the following:**

- Read all instructions before using Fan.
  - Make certain that the power source conforms to the electrical requirements of the Fan.
  - Use this Fan only as described in this manual. Any other use not recommended by the manufacturer may cause fire, electrical shock, or injury to persons.
  - Unplug power cord before installing, servicing, or moving the Fan.
- WARNING: DO NOT DEPEND UPON THE ON-OFF SWITCH AS THE SOLE MEANS OF DISCONNECTING POWER WHEN INSTALLING OR SERVICING THE FAN. ALWAYS UNPLUG THE POWER CORD.**
- This Fan must NOT be used in potentially dangerous locations such as flammable, explosive, chemical-laden or wet atmospheres.
  - The power cord is equipped with a three-prong grounded plug that must be inserted into a matching receptacle. Under no circumstances must the grounding prong be cut off the plug. Where a two-prong wall receptacle is encountered, it must be

**WARNING: REDUCE THE RISK OF FIRE OR ELECTRIC SHOCK – DO NOT USE THIS FAN WITH ANY SOLID STATE SPEED CONTROL DEVICES.**

**SAVE THESE INSTRUCTIONS**

# MODEL 3C614D/9166D

## ASSEMBLY AND INSTALLATION

The large number of window styles and types makes it impossible to describe one universal installation procedure.

**NOTE:** Prior to installation, you must loosen Extender Panel Screws and completely remove Side Panels and then re-install Side Panels with Flanges facing towards outside of window. You may now continue with installation.

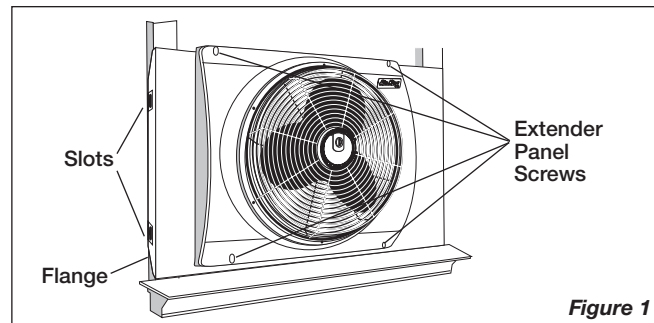
The methods outlined below are recommended as being well-suited for most common styles of double-hung windows. Whichever method you choose, you should allow the window to be closed easily for security and protection of home furnishings against the weather. Refer to illustrations while following **METHOD A (OUTSIDE OF TRIM)** or **METHOD B (INSIDE OF TRIM)** below.

Tools Required: Slotted and Phillips Screwdrivers

Hardware Provided: Four #8 x 3/4" Slotted Head Screws

### METHOD A (OUTSIDE OF TRIM)

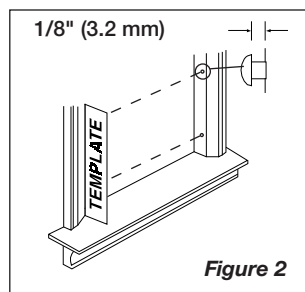
- Loosen 4 Extender Panel Screws and extend Side Panels to clear the outer edge of trim on each side of window. (Figure 1)



- Rest Fan on window sill with Flange on Side Panels over trim. Push in Side Panels tight against outer edge of trim. With Side Panel in position, mark Screw locations at top of Slot and drive in the Wood Screws (provided) until tight.
- Retighten Extender Panel Screws to complete installation.

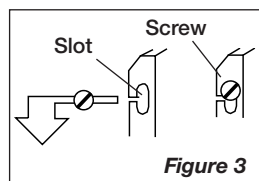
### METHOD B (INSIDE OF TRIM)

- Mark Screw locations on inside edges of window trim using enclosed Template. (Figure 2)



- Drive 4 Wood Screws (provided) into trim. DO NOT TIGHTEN FLUSH. Leave 1/8" space between Screw Heads and window trim.

- Loosen 4 Extender Panel Screws (Figure 1) and extend Panels on each side of Housing until the Fan fits snugly between right and left window trim.



- Mount Fan in window by engaging Slots with installed Wood Screws on inside edge of trim. Lower Fan onto 4 Screws until it rests on window sill or sash moulding. (Figure 3)

- Retighten Extender Panel Screws to secure Fan in position.

## OPERATION

This Air King® Whole House Window Fan is powered by a durable, electrically reversible, 3-speed permanent split capacitor motor. (High, Medium and Low speed settings are available for both INTAKE and EXHAUST mode.) The Control Switch is conveniently located on the Motor Cover of Fan. Adjust Knob direction and Speed desired.

## MAINTENANCE

**WARNING: ALWAYS UNPLUG THE CORD BEFORE MOVING OR SERVICING.**

**WARNING: DO NOT IMMERSER FAN IN WATER!**

**CLEANING:** Clean the Fan with the vacuum brush attachment on your vacuum cleaner. This will remove dirt and lint that may accumulate over time. DO NOT ATTEMPT TO TAKE APART FAN. Clean the body of the Fan with a soft cloth.

**CAUTION: Do not use gasoline, benzene, thinner, harsh cleaners, etc. as they may damage the Fan. NEVER use ALCOHOL OR SOLVENTS.**

**SERVICING:** All other servicing, with the exception of general user maintenance, should be performed by an authorized service representative.

**STORAGE:** Store the Fan, with these instructions, in a cool, dry place.

**MOTOR IS PERMANENTLY LUBRICATED.**

## REPLACEMENT PARTS LIST

Key	Part No.	Description	Qty.
1	02030113	Motor Assembly	1
2	2090008	Screw #8 x 1/2" PPH Type 25 ZP	24
3	05097110CG	Inside Grill	1
4	5090045	Screw #10 -32 x1/2" HWH Serr F-ZP	3
5	5082090CH	Blade	1
7	2010722	Body	1
8	05097100CG	Outside Grill	1
9	02084613	Bullseye	1
10	2060087	Side Panel	2
11	02090508	Rubber Channel	4
12	2060086	Channel	2
17	05010109	Switch Knob	1
19	5090044	Set Screw 1/4-28 x 3/8	1
20	2091413	#8 x 3/4 Wood Screw	4
21	2084076	Template	1
22	2090024	Screw #8 x 3/4" PPH Type 25 ZP	4

## LIMITED WARRANTY

**WHAT THIS WARRANTY COVERS:** This product is warranted against defects in workmanship and/or materials.

**HOW LONG THIS WARRANTY LASTS:** This warranty extends only to the original purchaser of the product and lasts for one (1) year from the date of original purchase or until the original purchaser of the product sells or transfers the product, whichever first occurs.

**WHAT AIR KING WILL DO:** During the warranty period, Air King will, at its sole option, repair or replace any part or parts that prove to be defective or replace the whole product with the same or comparable model.

**WHAT THIS WARRANTY DOES NOT COVER:** This warranty does not apply if the product was damaged or failed because of accident, improper handling or operation, shipping damage, abuse, misuse, unauthorized repairs made or attempted. This warranty does not cover shipping costs for the return of products to Air King for repair or replacement. Air King will pay return shipping charges from Air King following warranty repairs or replacement.

ANY AND ALL WARRANTIES, EXPRESSED OR IMPLIED (INCLUDING, WITHOUT LIMITATION, ANY IMPLIED WARRANTY OF MERCHANTABILITY), LAST ONE YEAR FROM THE DATE OF ORIGINAL PURCHASE OR UNTIL THE ORIGINAL PURCHASER OF THE PRODUCT SELLS OR TRANSFERS THE PRODUCT, WHICHEVER FIRST OCCURS AND IN NO EVENT SHALL AIR KING'S LIABILITY UNDER ANY EXPRESS OR IMPLIED WARRANTY INCLUDE (I) INCIDENTAL OR CONSEQUENTIAL DAMAGES FROM ANY CAUSE WHATSOEVER, OR (II) REPLACEMENT OR REPAIR OF ANY HOUSE FUSES, CIRCUIT BREAKERS OR RECEPTACLES. NOTWITHSTANDING ANYTHING TO THE CONTRARY, IN NO EVENT SHALL AIR KING'S LIABILITY UNDER ANY EXPRESS OR IMPLIED WARRANTY EXCEED THE PURCHASE PRICE OF THE PRODUCT AND ANY SUCH LIABILITY SHALL TERMINATE UPON THE EXPIRATION OF THE WARRANTY PERIOD.

Some states and provinces do not allow limitations on how long an implied warranty lasts, or the exclusion or limitation of incidental or consequential damages, so these exclusions or limitations may not apply to you. This warranty gives you specific legal rights. You may also have other rights which vary from state to state and province to province.

Proof of purchase is required before a warranty claim will be accepted.

## GARANTÍA LIMITADA

**QUÉ CUBRE ESTA GARANTÍA:** Este producto está garantizado contra defectos de mano de obra y/o materiales.

**CUÁNTO DURA ESTA GARANTÍA:** Esta garantía se extiende únicamente al comprador original del producto y dura un (1) año a partir de la fecha original de compra o hasta que el comprador original del producto venda o transfiera el producto, cualesquiera de ambas que ocurriera en primer lugar.

**QUÉ HARÁ AIR KING:** Durante el período de garantía, Air King, a opción propia, reparará o reemplazará cualquier parte o partes que demuestren ser defectuosas o reemplazará el producto completo por el mismo modelo u otro comparable.

**QUÉ NO CUBRE ESTA GARANTÍA:** Esta garantía no tiene validez si el producto fue dañado o falló debido a un accidente, manipulación u operación inadecuadas, daño en el envío, abuso, mal uso, reparaciones no autorizadas hechas o el intento de hacerlas. Esta garantía no cubre los costos de envío para la devolución de productos a Air King para su reparación o reemplazo. Air King abonará los cargos de envío de devolución a Air King con posterioridad a las reparaciones o el reemplazo bajo garantía.

CUALESQUIERA Y TODAS LAS GARANTÍAS, EXPLÍCITAS O IMPLÍCITAS (INCLUYENDO, SIN LIMITACIÓN, CUALESQUIERA GARANTÍA IMPLÍCITA DE COMERCIABILIDAD), DURAN UN AÑO A PARTIR DE LA FECHA ORIGINAL DE COMPRA O HASTA QUE EL COMPRADOR ORIGINAL DEL PRODUCTO VENDA O TRANSFIERA EL PRODUCTO, CUALESQUIERA DE AMBAS QUE OCURRIERA EN PRIMER LUGAR Y EN NINGÚN CASO LA RESPONSABILIDAD DE AIR KING BAJO CUALQUIER GARANTÍA EXPLÍCITA O IMPLÍCITA INCLUIRÁ (I) DAÑOS INCIDENTALES O POR CONSECUENCIA POR CUALQUIER CAUSA QUE FUERE, O (II) REEMPLAZO O REPARACIÓN DE CUALESQUIERA FUSIBLES HOGAREÑOS, CORTA-CIRCUITOS O TOMACORRIENTES. INDEPENDIENTEMENTE DE CUALQUIER DECLARACIÓN CONTRARIA, EN NINGÚN CASO LA RESPONSABILIDAD DE AIR KING BAJO CUALQUIER GARANTÍA EXPLÍCITA O IMPLÍCITA PODRÁ EXCEDER EL PRECIO DE COMPRA DEL PRODUCTO Y DICHA RESPONSABILIDAD TERMINARÁ AL VENCIMIENTO DEL PERÍODO DE GARANTÍA.

Algunos estados y provincias no permiten limitaciones sobre la duración de una garantía implícita, o sobre la exclusión o limitación de los daños incidentales o por consecuencia, por lo tanto dichas exclusiones o limitaciones podrían no aplicarse en su caso. Esta garantía le otorga a usted derechos legales específicos. Usted también podría tener otros derechos que varían de estado en estado y de provincia en provincia.

Se requiere prueba de compra antes que se acepte un reclamo bajo garantía.

## GARANTIE LIMITÉE

**CE QUI EST COUVERT PAR CETTE GARANTIE :** Ce produit est garanti contre les vices de fabrication en main-d'œuvre et/ou en matériaux.

**QUELLE EST LA DURÉE DE CETTE GARANTIE :** Cette garantie s'étend uniquement à l'acheteur d'origine du produit et dure pour une (1) année de la date d'achat d'origine ou jusqu'à ce que le propriétaire d'origine du produit vende ou transfère le produit, le premier des deux prévalant.

**CE QUE AIR KING FERA :** Durant la période de garantie, Air King va, à sa seule option, réparer ou remplacer toute pièce ou toutes pièces qui sera (seront) jugée(s) défectueuse(s) ou remplacera le produit complet avec le même modèle ou un modèle comparable.

**CE QUE LA GARANTIE NE COUVRE PAS :** Cette garantie ne s'applique pas si le produit fut endommagé ou a failli en raison d'un accident, d'une utilisation ou d'une manipulation impropre, dommage lors de l'expédition, abus, mauvais usage, réparations non-autorisées effectuées ou tentées. Cette garantie ne couvre pas les frais d'expédition pour le retour de produits à Air King pour réparation ou remplacement. Air King paiera les frais d'expédition encourus par Air King pour vous retourner le produit suivant les réparations ou le remplacement sous garantie.

TOUTE ET TOUTES LES GARANTIES, EXPRESSE OU IMPLICITE (INCLUANT SANS LIMITATION, TOUTE GARANTIE IMPLICITE DE QUALITÉ MARCHANDE), DURE UNE ANNÉE DE LA DATE D'ACHAT D'ORIGINE OU JUSQU'À CE QUE LE PROPRIÉTAIRE D'ORIGINE DU PRODUIT Vende OU TRANSFÈRE LE PRODUIT, LE PREMIER DES DEUX PRÉVALANT ET EN AUCUN CAS LA RESPONSABILITÉ DE AIR KING SOUS QUELQUE GARANTIE EXPRESSE OU IMPLICITE INCLURE (I) DOMMAGES CONSÉCUTIFS OU INDIRECTS DE TOUTE CAUSE QUELLE QU'ELLE SOIT, OU (II) LE REMPLACEMENT OU LA RÉPARATION DE TOUT FUSIBLE RÉSIDENTIEL, DE TOUT DISJONCTEUR, PRISE DE COURANT OU RÉCEPTACLE. NONOBTANT TOUTE CHOSE CONTRAIRE, EN AUCUN CAS LA RESPONSABILITÉ DE AIR KING SOUS TOUTE GARANTIE EXPRESSE OU IMPLICITE NE DOIT EXCÉDER LE PRIX D'ACHAT DU PRODUIT ET TOUTE RESPONSABILITÉ TELLE DOIT EXPIRER AU MOMENT DE L'EXPIRATION DE LA PÉRIODE DE GARANTIE.

Certains États et provinces ne permettent pas de limitation sur la durée d'une garantie implicite, ou l'exclusion ou la limitation de dommages indirects ou consécutifs, ainsi, ces exclusions ou limitations peuvent ne pas s'appliquer à vous. Cette garantie vous donne certains droits légaux. Vous pouvez aussi avoir d'autres droits qui varient d'un État à l'autre et d'une province à une autre.

Une preuve d'achat est requise avant qu'une réclamation sous garantie soit acceptée.