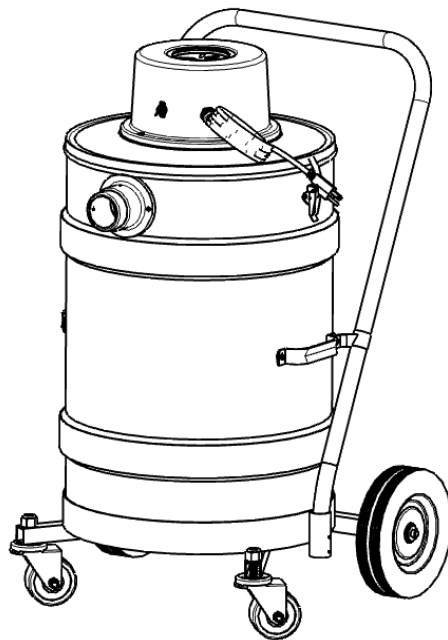


NIKRO

INSTRUCTION MANUAL

MODEL #WC20110

20 GALLON WET/DRY, CI VACUUM



PACKAGING

Please do not discard any of the packaging until you have inspected the vacuum and it is operational.

Make sure the contents are intact and complete. If there are any missing parts please contact Nikro immediately.

CONTENTS

1 - #WC20110 – 20 Gallon Wet/Dry Vacuum



1 - #PKW200 Tool Kit:

#520332 – 1 ½" x 10' Hose Assembly



#520454 – Double Bend Wand

#520112 – 3" Round Plastic Dust Brush



#520455 – 11" Crevice Tool



#520649 – 14" Plastic Gulper Tool



#520340 – 14" Plastic Squeegee Tool



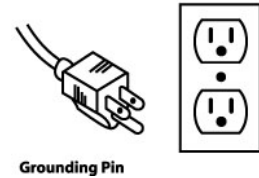
OPERATING & SAFETY INSTRUCTIONS

Electrical Specification

This machine is designed to operate on a 15 amp. 115V., 60 hz., AC circuit. A deviance of this could cause serious damage to the unit.

Grounding Instructions

This machine is equipped with a grounding type cord and three prong plug. Make sure that the plug is connected to an outlet with three receptacles designed for use with the three prong plug. (See Illustration) Never use an adapter with machine.



Maintenance

Lubrication of this motor is not required as it is equipped with sealed bearings.

Always keep the air cooling intake screen free, not allowing any restriction of airflow. Airflow restriction will overheat and damage the motor.

SAFETY INSTRUCTIONS

Read all safety instructions before using!

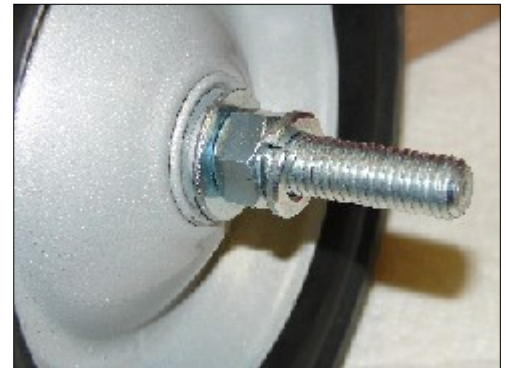
1. Electrical shock could occur if used outdoors or on wet surfaces.
2. Always store machine indoors in a dry area. If machine is dropped in water or left in rain, it should be serviced by an authorized service technician prior to plugging the unit in.
3. Prior to plugging in machine, always inspect cord for cuts and exposed wires. If these problems are found, return the machine to an authorized service technician..
4. Never use the cord as a handle, or pull the machine by using the cord.
5. Never unplug this machine or any other electrical appliance by pulling on the cord.
6. Do not wrap the cord around the dome. Wrapping the cord around the dome will restrict the motor from exhausting properly and will result in overheating and damaging the motor.
7. Keep hair, fingers, and other objects away from all moving parts and openings on this machine.
8. This vacuum cleaner should never be used in explosion-hazardous areas or to pick up combustible or flammable liquids such as gasoline, etc.
9. Never leave the machine unattended when plugged in or running.
10. Always have the switch in the OFF position before unplugging the unit.
11. Do not operate this machine with any of the openings blocked; always keep these areas free of lint and dust or any other particles that could reduce the airflow.
12. Never operate or plug in this machine or any other electrical appliance with wet hands or when standing in water.
13. This machine should never be operated without the proper filters installed in the manner described in the following pages of this manual.
14. This machine should never be serviced by anyone other than an authorized technician.
15. Use only original NIKRO replacement parts and attachments.

ASSEMBLY INSTRUCTIONS

1. Locate parts box and remove two 8" rear wheels and two front casters.



2. Attach 8" left and right rear wheels by screwing into the threaded rear axle until seated and tighten with wrench. (Be sure to use 1 supplied lock washer on each axle.)



3. Insert a threaded caster into each front arm and install a locknut. While holding the casters bottom nut tighten the locknut until firmly seated.



OPERATION INSTRUCTIONS

1. Make sure the vacuum lid is securely in place using the two lid latches located on the vacuum tank.
2. Plug in power cord.
3. Place metal hose cuff end of the hose into the vacuum intake and secure it with the intake knob.
4. Place desired vacuum tools into the plastic hose cuff.
5. On/off switch is located on the motor dome. Turn on the unit.
6. When picking up dry materials, the black foam filter bag and white Dacron filter bag should be used.
7. When picking up wet materials, use only the black foam filter bag.
8. Always turn the vacuum off and unplug it before removing the motor and lid assembly and prior to emptying the water or debris within the tank.

FILTER SET-UP PROCEDURES

DRY PICK-UP



**BLACK FOAM FILTER BAG &
WHITE DACRON FILTER BAG**

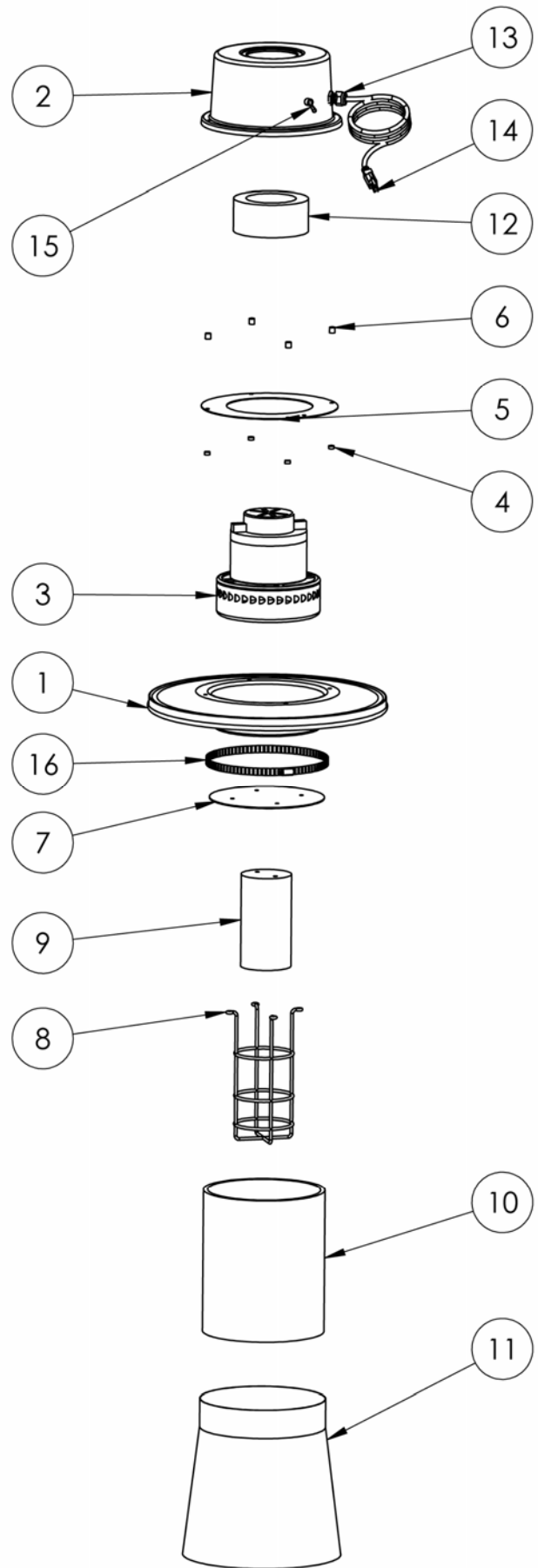
WET PICK-UP

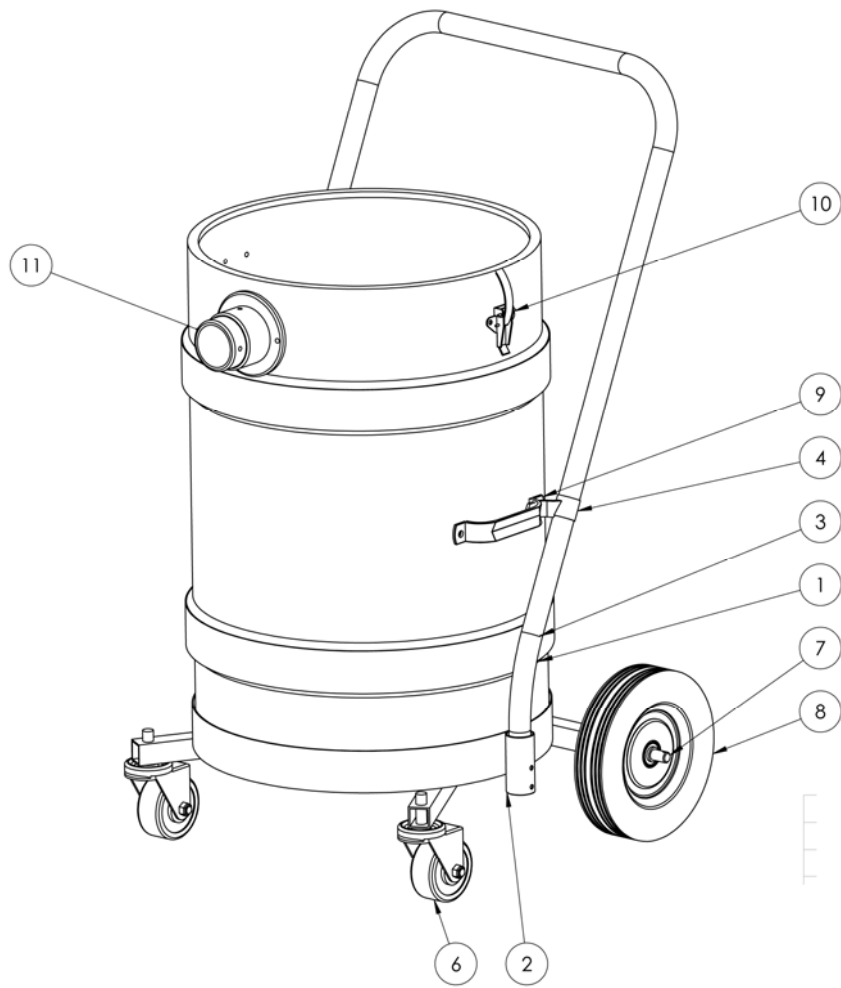


**BLACK FOAM FILTER BAG
(THE ONLY FILTER USED FOR WET PICK-UP)**

NOTE: FAILURE TO USE AND MAINTAIN THE FOAM AND DACRON FILTERS WILL VOID WARRANTY.

PC NO	PART NO	PART NAME	QTY
1	860466	LID W/ MOUNTING PLATE	1
2	520001	DOME	1
3	520365	MOTOR	1
4	520215	SMALL SPACER	4
5	520304	MOTOR HOLD DOWN	1
6	520214	LARGE SPACER	4
7	550013	FLOAT MOUNTING PLATE	1
8	520309	FLOAT CAGE	1
9	520310	FLOAT	1
10	550015	FOAM FILTER BAG	1
11	520210	DACRON FILTER BAG	1
12	520016	FOAM RING	1
13	520013	STRAIN RELIEF	1
14	520010	POWER CORD	1
15	520015	TOGGLE SWITCH	1
16	860792	BAG CLAMP	1
NOT SHOWN	520018	LID GASKET	1
NOT SHOWN	550016	MOTOR & LID ASSY	





PC NO	PART NO	PART NAME	QTY
1	540047	20 GALLON TANK	1
2	540021	LOWER FRAME	1
3	520229	REAR HANDLE	1
4	520320	HANDLE CLAMP	2
6	860465	FRONT CASTER	2
7	861937	AXLE	2
8	520227	REAR WHEEL	2
9	520222	SIDE HANDLES	2
10	860803	LID LATCH	2
11	520220	INTAKE	1
NOT SHOWN	520216	INTAKE GASKET	1
NOT SHOWN	520217	INTAKE KNOB	1
NOT SHOWN	860357	DRAIN PLUG	1
NOT SHOWN	540001	DOWN TUBE ELBOW	1
	540046	20 GALLON TANK COMPLETE	

WARRANTY

Nikro Vacuums are warranted for 1 years from the date delivered to the original end user and may not be assigned or transferred.

Parts, which become defective due to faulty workmanship or materials during normal use in this period will be repaired or exchanged at no charge if returned and approved by an authorized Nikro service center. All replaced or repaired parts shall only be warranted for the remainder of the original one year warranty period.

After the expiration of the one year warranty. All warranties on this unit including fitness for a proposed usage or purpose will become void.

The end user shall be responsible for freight charges incurred to deliver warranted product to an approved Nikro service center. Nikro shall be responsible for freight charges incurred in returning unit to customer, but not to exceed the original freight charges to customer.

It shall be wholly Nikro's decision to repair, replace or refund the purchase price of any such defective goods.

This warranty does not apply to normal wear and tear, neglect, misuse, abuse or incorrect installation. If any other replacement parts, filters or attachments are used other than original Nikro parts, this warranty will become void.

Nikro disclaims responsibility for loss of production, profits, goodwill or any other costs that may indirectly occur due to the failure of this product.