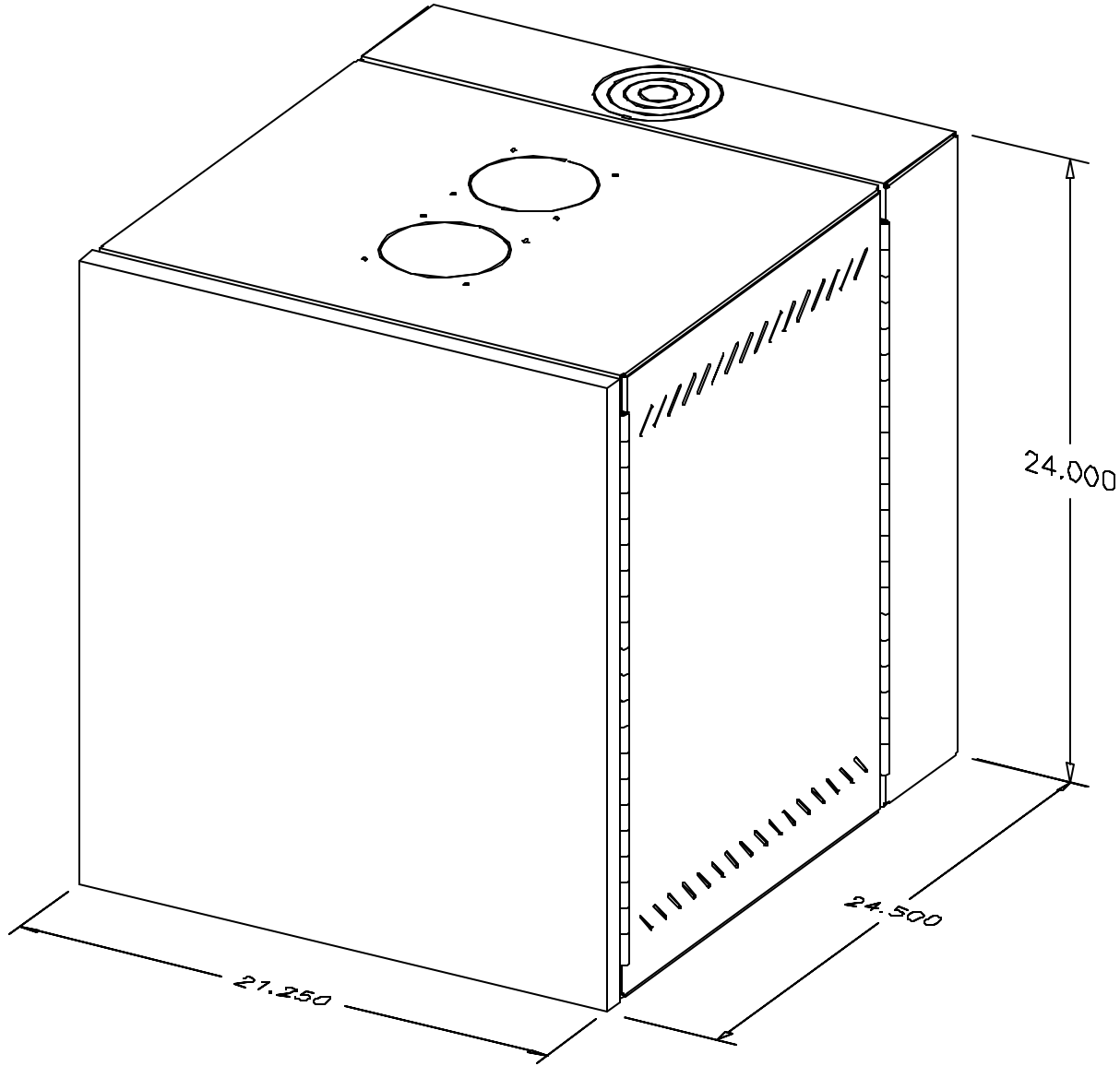


FOR REFERENCE ONLY

REV	DESCRIPTION



This document contains Great Lakes Case & Cabinet/Proprietary information and may not be reproduced, disclosed, or utilized in whole or in part without its prior written authorization. Unpublished - All rights reserved under copyright.

DIMENSIONS IN INCHES DO NOT SCALE
 TOLERANCES ON DIMENSIONS UNLESS OTHERWISE SPECIFIED
 DECIMAL .00X ± .010 .0X ± .015 .X ± .020 ANGULAR ± 1/2°
 FILE LOCATION: E:\1-DWG\1-STANDARD-WALL MOUNTS\GL24WMS\3K-1.dwg

DESIGN CHG#
 QTY PER UNIT
 SCALE: N.T.S.
 MATERIAL

DRAWN BY: SHANIN
 ISSUE DATE: 4/26/01
 CUSTOMER#
 SHEET: 1 OF 4

REV. DATE:
 PART DESCRIPTION:
 GL24WMS WALL MOUNT/SWINGOUT ENCLOSURE

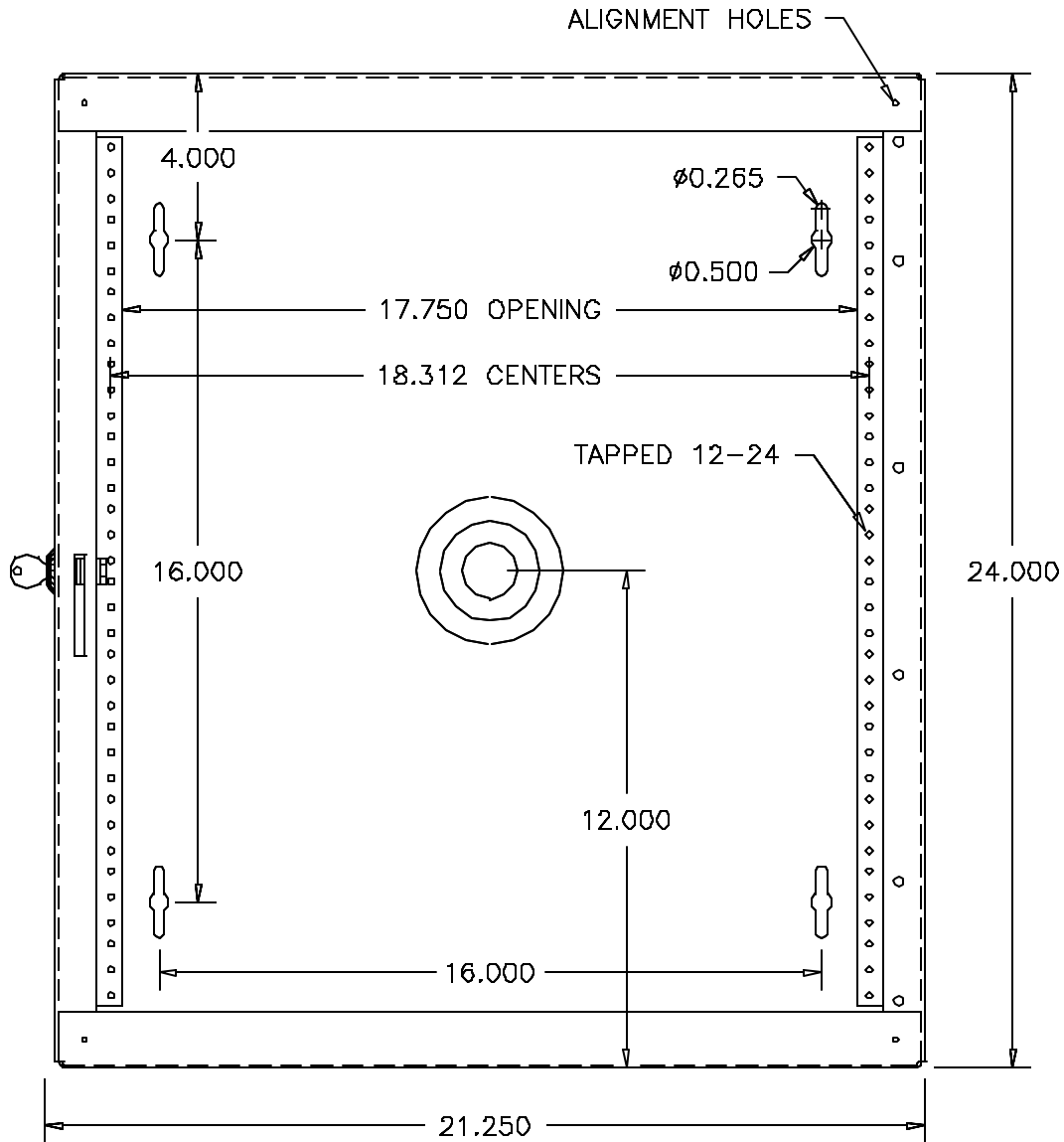


Great Lakes Case & Cabinet Co.
 P.O. Box 551 / Edinboro, PA 16412
 PHONE: 814-673-7303 FAX: 814-673-3807 EMAIL: glc@glcaseandcabinet.com

REV.	DRAWING NO.
0	GL24WMS

FOR REFERENCE ONLY

FRONT VIEW
(DOOR REMOVED FOR CLARITY)



This document contains Great Lakes Case & Cabinet/Proprietary information and may not be reproduced, disclosed, or utilized in whole or in part without its prior written authorization. Unpublished - All rights reserved under copyright.

DIMENSIONS IN INCHES DO NOT SCALE
TOLERANCES ON DIMENSIONS UNLESS OTHERWISE SPECIFIED
DECIMAL .00X ± .010 .0X ± .015 .X ± .020 ANGULAR ± 1/2°
FILE LOCATION: E:\1-DWG\1-STANDARD-WALL MOUNTS\GL24WMS\9K-2.dwg

DESIGN CRG#
QTY PER UNIT:
SCALE: N.T.S.
MATERIAL

DRAWN BY: SHANIN
DATE: 4/28/01
CUSTOMER#
SHEET: 2 OF 4

REV. DATE:
PART DESCRIPTION:
GL24WMS WALL MOUNT/SWINGOUT ENCLOSURE

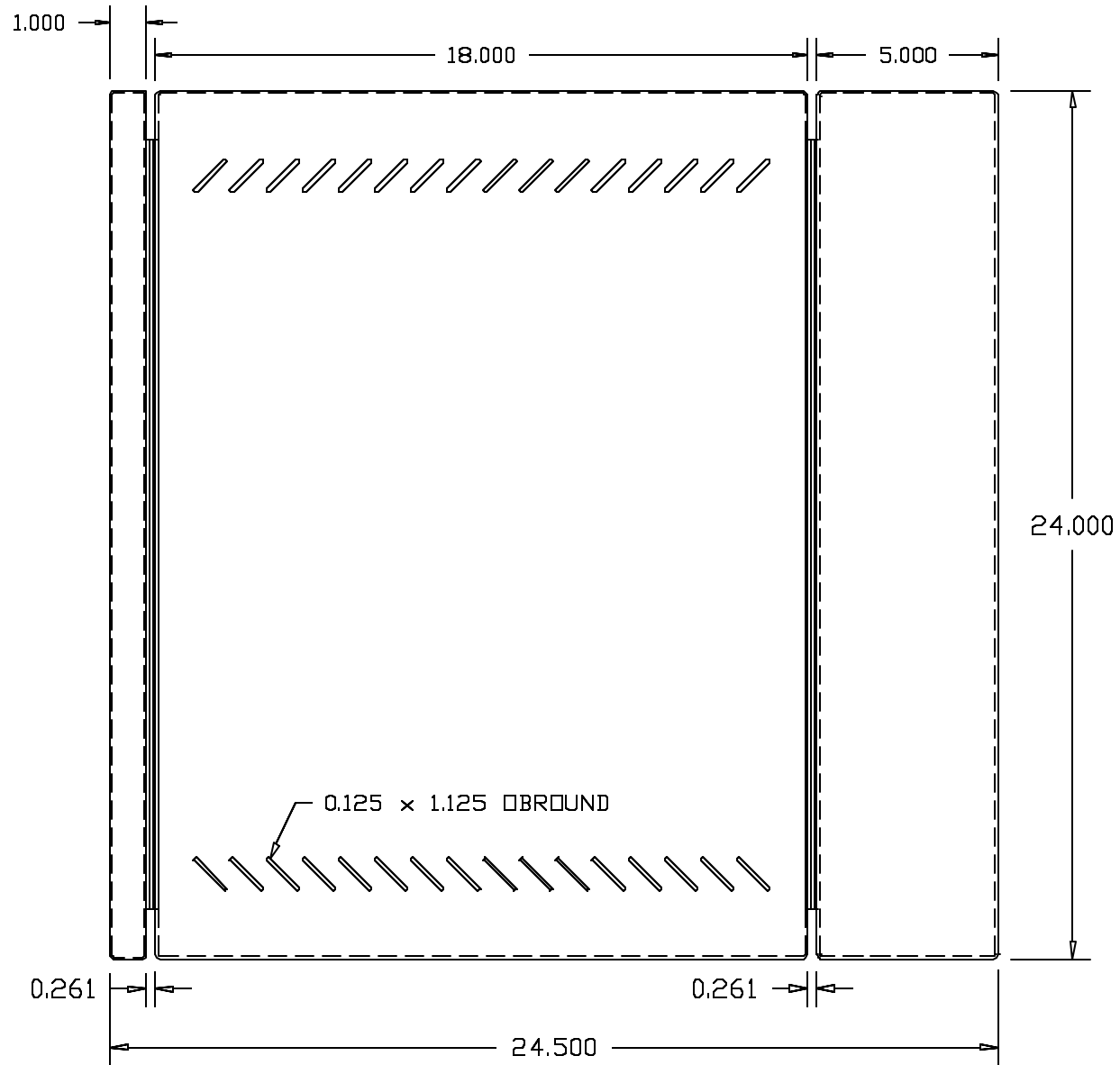


Great Lakes Case & Cabinet Co.
P.O. Box 551 / Edinboro, PA 16412
Phone: 814-473-7303 Fax: 814-473-3807 Email: glc@glcc.com
REV: 0 DRAWING NO: GL24WMS

FOR REFERENCE ONLY

REV DESCRIPTION

RIGHT SIDE VIEW



This document contains Great Lakes Case & Cabinet/Proprietary information and may not be reproduced, disclosed, or utilized in whole or in part without its prior written authorization. Unpublished - All rights reserved under copyright.

DIMENSIONS IN INCHES DO NOT SCALE
 TOLERANCES ON DIMENSIONS UNLESS OTHERWISE SPECIFIED
 DECIMAL .00X ± .010 .0X ± .015 .X ± .020 ANGULAR ± 1/2°
 FILE LOCATION: E:\1-DWG\1-STANDARD-WALL MOUNTS\GL24WMS\3K-3.dwg

DESIGN CHG#
 QTY PER UNIT:
 SCALE: N.T.S.
 MATERIAL

DRAWN BY: SHANIN
 ISSUE DATE: 4/28/01
 CUSTOMER#
 SHEET: 3 OF 4

REV. DATE:
 PART DESCRIPTION:
 GL24WMS WALL MOUNT/SWINGOUT ENCLOSURE

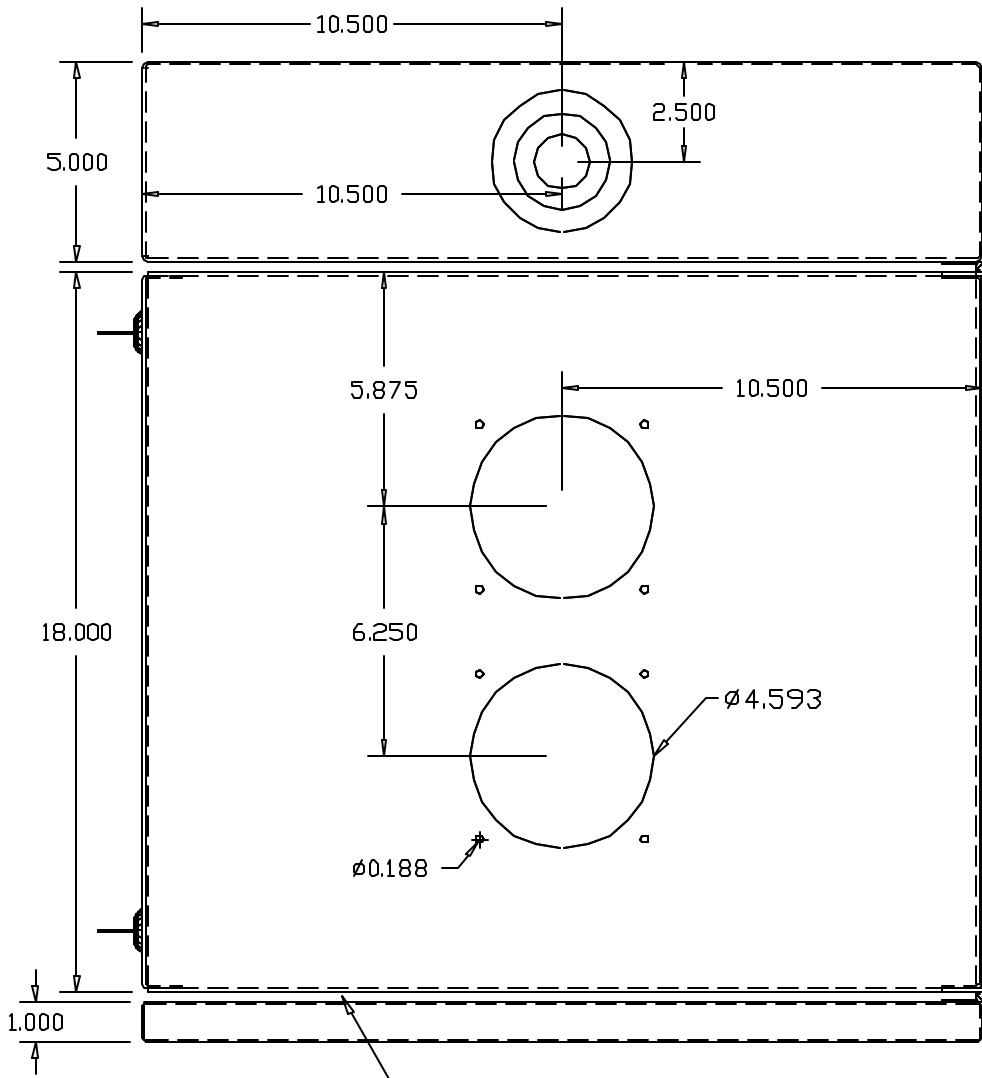


Great Lakes Case & Cabinet Co.
 P.O. Box 551 / Edinboro, PA 16412
 Phone: 814-473-7303 Fax: 814-473-3807 Email: glc@glcase.com

REV.	DRAWING NO.
0	GL24WMS

FOR REFERENCE ONLY

TOP VIEW
(BOTTOM VIEW IS TYPICAL)



This document contains Great Lakes Case & Cabinet/ Proprietary information and may not be reproduced, disclosed, or utilized in whole or in part without its prior written authorization. Unpublished - All rights reserved under copyright

DIMENSIONS IN INCHES DO NOT SCALE
TOLERANCES ON DIMENSIONS UNLESS OTHERWISE SPECIFIED
DECIMAL .XXX ± .010 .XX ± .015 .X ± .020 ANGULAR ± 1/2°
FILE LOCATION: E:\1-DWG\1\STANDARD\WALL MOUNTS\GL24WMS\9K-4.dwg

DESIGN CHG#
QTY PER UNIT:
SCALE: N.T.S.
MATERIAL

DRAWN BY: SHANIN
ISSUE DATE: 4/26/01
CUSTOMER#
SHEET: 4 OF 4

REV. DATE:
PART DESCRIPTION:
GL24WMS WALL MOUNT/SWINGOUT ENCLOSURE



Great Lakes Case & Cabinet Co.
P.O. Box 551 / Edinboro, PA 16412
Phone: 814-473-7303 Fax: 814-473-3807 Email: glcase@glcase.com
REV: 0 DRAWING NO: GL24WMS