

Part Number.....7215-30A

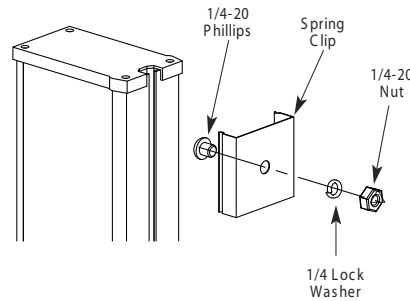
Made in the USA..... Yes
 Mounting..... Vertical
 AC Rating Volts..... 127
 AC Rating Amps..... 30
 AC Rating Watts..... 3600
 AC Rating Frequency-Hz..... 60 HZ
 Circuit Breaker..... (2) 15 Amps
 Pilot Light..... None
 On/Off Switch..... None
 Over Current Protection..... CB (UL489)
 Power Cable AWG..... 10/3 SJT
 Power Cable Length..... 12'
 Plug Type..... NEMA L5-30P
 Receptacle Type..... NEMA 5-20R
 Receptacle Style..... Single
 Receptacle Quantity..... 2 banks of 12
 Max. Output per Powerstrip..... 24 Amp
 Joule Rating..... N/A
 UL Rating..... UL60950-1
 Clamping Level..... N/A
 Response Time..... N/A
 Max. Surge Current..... N/A
 EMI/RFI Noise Reduction..... N/A
 Surge Indicator Red LED..... N/A
 Connected Equipment Warranty..... N/A
 Product Warranty-GLCC..... 1 year
 Certification/Agency Approvals..... UL Approved
 Unit Weight lbs..... N/A

30 Amp Power Distribution Units

Increase your IT closet's potential with a 30Amp Power Distribution Unit (PDU). 30 Amps allows you to safely draw twice as much power as the standard 15A power strip, translating into more equipment in the same amount of space.

Among the first in the industry to meet the new UL60950-1 1st Edition and ITE standards, the PDU features UL489 Listed breakers increasing the safety and reliability of distributed power.

Designed to support your valuable IT equipment used in cabinets and enclosures, the 30A PDU is the ideal solution to ever-expanding power needs in a confined space.

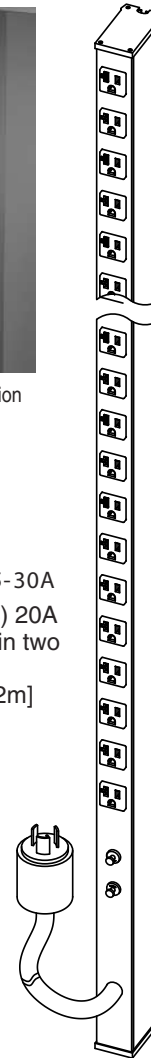


Attach the Spring Clips to the cabinet frame or cabinet wall making sure the top clip is no more than 1 inch (25mm) from the top of the unit. Insert the 1/4 - 20 phillips screw through the spring clip as shown, and then through the cabinet frame or cabinet wall. On the other side of the mounting surface, put the 1/4 lock washer over the exposed phillips screw and tighten into place with the 1/4-20 nut. Once the spring clips are secure, place unit in one side of the clips and snap the other side into position.



7215-30A Power Distribution Unit shown mounted in an IT cabinet.

Catalog No. 7215-30A
 Twenty-four (24) 20A
 simplex outlets in two
 banks of 12.
 Length: 48" [1.2m]



Features & Benefits

- **Narrow aluminum profile.** Streamlines housing saves valuable space. 1 1/2"W x 2 7/8"H (39mm x 73mm).
- **Dual circuit design.** Power is still supplied to the second circuit if the first is overloaded. Receptacle banks are clearly labeled.
- **Easy access breakers.** Circuit breakers are located on the unit's face for quick and easy reset.
- **Built in mounting rail.** T-slot mounting rail allows several installation options within tight spaces.
- **Fully configurable.** This versatile product can be customized to fit your specific need.
- **UL Listed.** Meets UL60950-1 1st Edition and ITE standards.



Circuit breakers are easily accessible located on the unit's face.



Standard NEMA 5-20R Receptacle in 30 Amp units (not for individual sale).

TOLERANCES UNLESS OTHERWISE SPECIFIED	In.	Date:	Title 721530A GREAT LAKES
DECIMALS 0.0 = ± 0.100 0.00 = ± 0.0020 0.000 = ± 0.0005 ANGLES = ± 1°	mm	Date:	
	APPROVALS	Date:	DWG No. _____ Rev. _____
SCALE N/A	SHT 1 of 1		
Great Lakes CORP. & CUSTOMER CO., INC.			