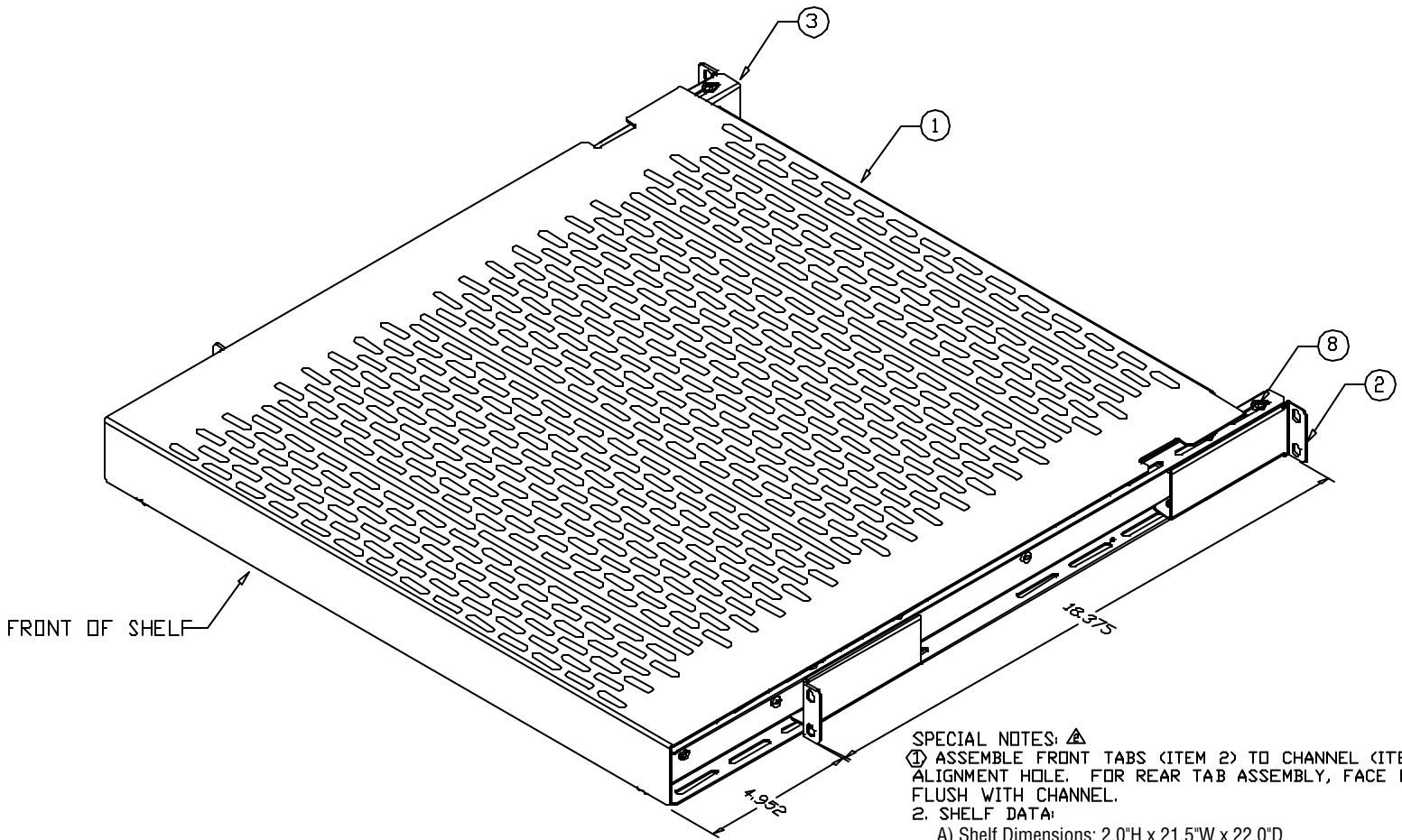


PARTS LIST						
ITEM NO.	PART NO.	DRAWING #	QUANTITY	REV	REQD	DESCRIPTION
1	7207FRSLAX101	GLO01589	MFOR	2	1	SHELF
2	7206FRSLAX102	GLO00522	MFOR	4	4	MOUNTING TAB
3	7206FRSLAX104	GLO01843	MFOR	4	2	CHANNEL SLIDE MOUNTING
4	7206FRSLAX105	GLO01844	MFOR	5	2	ANGLE SLIDE MOUNTING
5	XS1B		GLCC		2	SLIDES, DISCONNECT
6	10/32NUT		GLCC		10	NUT, #10-32/ CAPTIVE STAR WASHER
7	8/32X1/4SC23		GLCC		12	SCREW, #8-32 x 1/4", TYPE 23 ZN PAN HD PHIL
8	10/32X1/2SC23		GLCC		16	SCREW, #10-32 x 1/2" TYPE 23 ZN PAN HD PHIL
9	7207FRSLAX103	GLO01588	MFOR	3	5	STIFFENER, 23" EIA SLIDING SHELF

REVISIONS		
REV	DATE	INITIALS
1	03/13/01	WSS
2	09/27/01	DL



SPECIAL NOTES: **⚠**
 ① ASSEMBLE FRONT TABS (ITEM 2) TO CHANNEL (ITEM 3) IN ALIGNMENT HOLE. FOR REAR TAB ASSEMBLY, FACE OF TAB IS FLUSH WITH CHANNEL.
 2. SHELF DATA:
 A) Shelf Dimensions: 2.0"H x 21.5"W x 22.0"D
 B) Rack Mounting: 23" EIA
 C) Weight Capacity: 110 lbs.
 D) Standard Tab Placement: 18.375"
 E) Maximum Tab Placement: 26.127"
 F) Gauge: 16 Ga. CRS/Powder Coat, Black Texture
 G) Slide Travel: 17.50"
 3. SEE SHEET 2 FOR ASSEMBLY DETAILS; TYPICAL ASSEMBLY FOR OPPOSITE SIDE.

PART NUMBER: 7207FRSLAHD

Use of this document is subject to a confidentiality & nondisclosure agreement w/ Great Lakes Case & Cabinet Co., Inc. (GLCC) & may not be reproduced, disclosed or utilized in whole or in part without prior written authorization from GLCC.

DIMENSIONS IN INCHES	DO NOT SCALE	QTY PER UNIT: 1	DRAWN BY: WSS
TOLERANCES ON DIMENSIONS UNLESS OTHERWISE SPECIFIED	SCALE: NTS	DWG DATE: 03/13/01	
DECIMAL .XXX ± .010 .XX ± .015 .X ± .020 ANGULAR ± 1/2°	MATERIAL: N/A	SHEET: 1 OF 2	
FINISH: N/A			

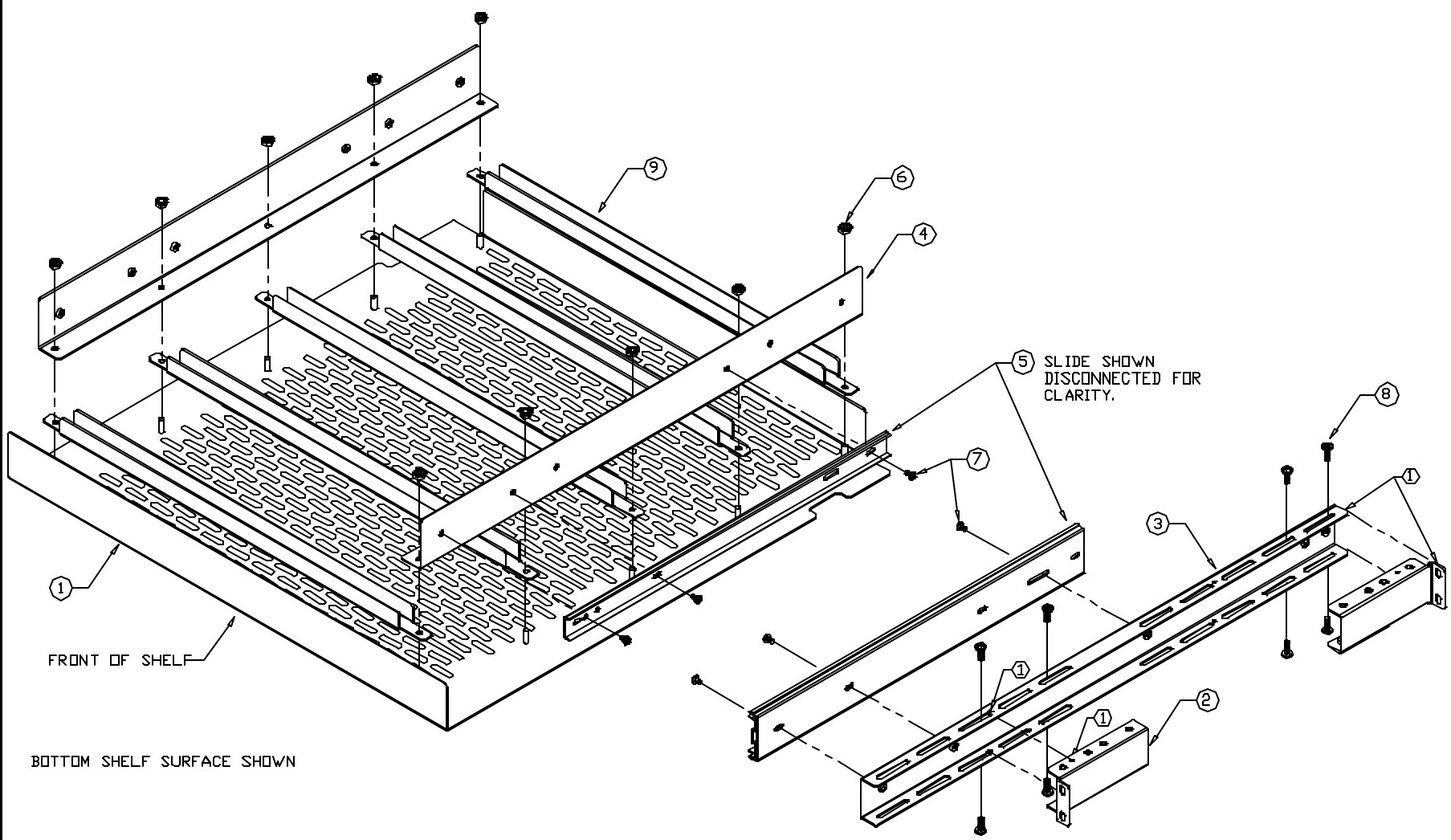
PART DESCRIPTION:
 7207-FRSLA-HD
 23" EIA MTG. SHELF
 EXPLODED VIEW



Great Lakes Case & Cabinet Co.
 P.O. Box 551 / Edinboro, PA 16412
 (814) 225-7225 FAX (814) 225-7227 MAIL ORDER DEPARTMENT

REV: 2	DRAWING NO.: GLO01837
--------	-----------------------

REVISIONS		
REV	DATE	INITIALS
SEE SHEET 1		



PART NUMBER: 7207FRSLAHD

Use of this document is subject to a confidentiality & nondisclosure agreement w/ Great Lakes Case & Cabinet Co., Inc. (GLCC) & may not be reproduced, disclosed or utilized in whole or in part without prior written authorization from GLCC.

DIMENSIONS IN INCHES	DO NOT SCALE
TOLERANCES ON DIMENSIONS UNLESS OTHERWISE SPECIFIED	
DECIMAL .XXX ± .010 .XX ± .015 .X ± .020 ANGULAR ± 1/2°	
FINISH: N/A	

QTY PER UNIT: 1	DRAWN BY: WSS
SCALE: NTS	DWG DATE: 03/13/01
MATERIAL: N/A	SHEET: 2 OF 2

PART DESCRIPTION:
7207-FRSLA-HD
23" EIA MTG. SHELF
EXPLODED VIEW



Great Lakes Case & Cabinet Co.
P.O. Box 551 / Edinboro, PA 16412
REV. 2 DRAWING NO. GL001837