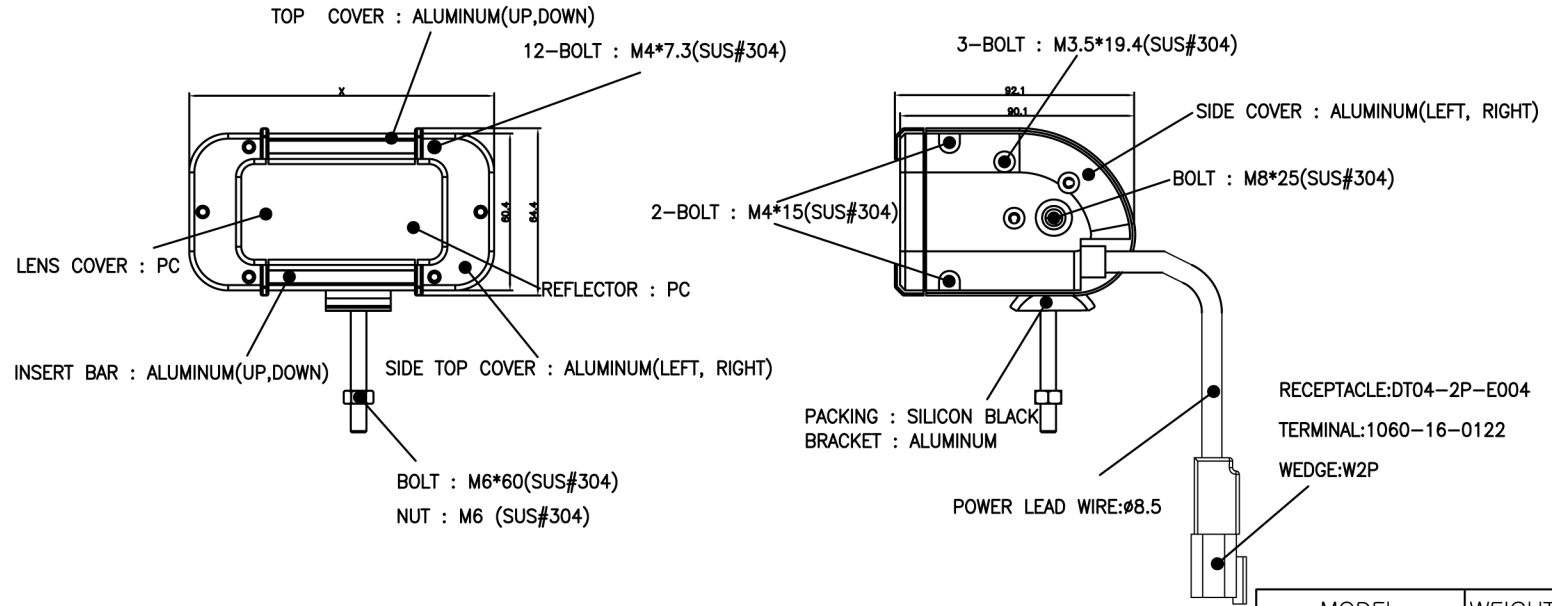
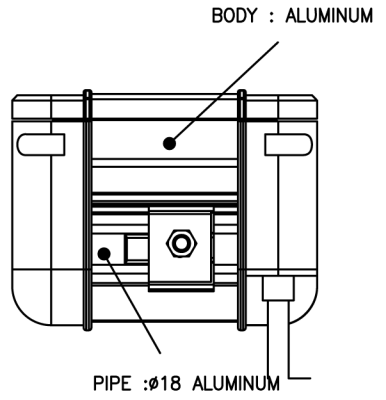


DATE	SIGN	REVISION	REMARKS



**[SPECIFICATION]**

1. OPERATING VOLTAGE : DC 10V ~ 46V
2. WATTAGE : 12.0V/16.5W (IN POWER)
3. LED : 10W (CREE)
4. LUMEN : 1140(LM)/@570(LM)
4. LENS : LL01CR-DG XX L-M2(20'30'40')
5. VIBRATION : 15.6 (Grms)
6. WATER PROOF & DUST RESISTANCE
7. TEMPERATURE : -40 °C ~ 80°C
8. LIFE : 50,000 (Hr)
9. IP RATING : IP68



**LENGTH**

MODEL	WEIGHTS	LUMEN	APMERAGE	"X" (+0/-0.2)	INCH
2 LED 16.5W	1.1Kg	1140LM	1.38A	117.4(mm)	4.6(in)
4 LED 33W	1.6Kg	2280LM	2.75A	197(mm)	7.8(in)
6 LED 49.5W	2.1Kg	3420LM	4.13A	276.6(mm)	10.9(in)
8 LED 66W	2.6Kg	4560LM	5.50A	356.2(mm)	14(in)
10 LED 82.5W	3.1Kg	5700LM	6.88A	435.8(mm)	17.2(in)
12 LED 99W	3.6Kg	6840LM	8.25A	515.4(mm)	20.3(in)
14 LED 115.5W	4.1Kg	7980LM	9.63A	595(mm)	23.4(in)
16 LED 132W	4.6Kg	9120LM	11.00A	674.6(mm)	26.6(in)
18 LED 148.5W	5.1Kg	10260LM	12.38A	754.2(mm)	29.7(in)
20 LED 165W	5.6Kg	11400LM	13.75A	833.8(mm)	32.8(in)
22 LED 181.5W	6.1Kg	12540LM	15.13A	913.4(mm)	36(in)
24 LED 198W	6.6Kg	13680LM	16.50A	993(mm)	39.1(in)
26 LED 214.5W	7.1Kg	14820LM	17.88A	1072.6(mm)	42.2(in)



UNIT	mm	DRAWING	CHECK	APPROVAL	TITAL	10W X MITTER PRIME SINGLE BAR
TOL.		M.J.PARK				
SCALE	1:1					
DATE	2010.07.29	2010.07.29				
VISION X ASIA CO.,LTD.					DRAWING NO.	VX-BD-0000-0