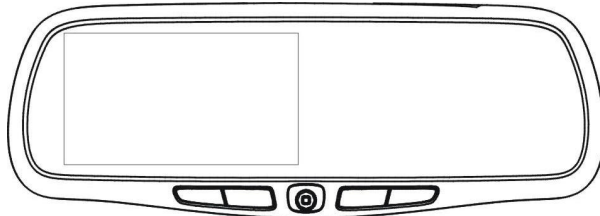




**Replacement Rear View Mirror with built-in
4.5in LCD Monitor & Hands-Free Phone
Interface
Model: SV-9145
Owner's Manual**



Features:

- **Rearview Mirror with 4.5" LCD**
- **Auxiliary Video Input**
- **Rearview Camera Input**
- **PAL/NTSC system compatible**
- **Cellular Phone Hands Free Input**
- **Hands Free Microphone Built-in**

This product must be installed and used only in accordance with these instructions. Any alteration of this product that enables it to be used in ways other than those stated in this manual could distract the driver and result in an accident or injury.

Warning: Backing up vehicle

Do not back up vehicle while watching the mirror/monitor screen. Always look in the direction of vehicle motion. Use the mirror/monitor as an aid in safety confirmation. The distance looks different in the monitor. The actual distance may be shorter than it looks in the monitor. The range of image is limited. Beware of blind spots.

Cautions

Product is intended to assist in safe driving and to allow the driver to have a broader rearview during reversing. You, as the driver, are solely responsible for the safe operation of your vehicle and the safety of your passengers according to the country and their local traffic regulations. Do not use any features of this system to the extent it distracts you from safe driving. Your first priority while driving should always be the safe operation of your vehicle.

1. Functions

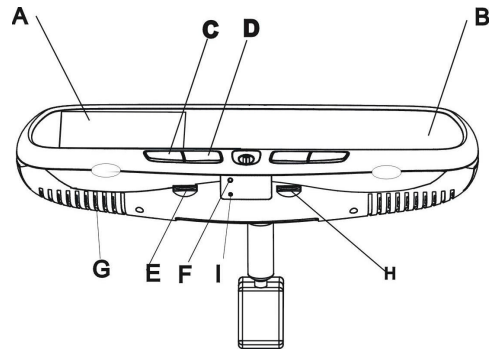


Figure 1

Figure 1 shows the functions of the rearview mirror.

- A: 4.5" LCD panel;
- B: Rearview Mirror;
- C: SW1;
- D: SW2;
- E: LCD Brightness Control;
- F: Power Indicator (Red when Power is on).
- G: Internal Speaker;
- H: Volume control;
- I: Internal microphone;

SW1 AND SW 2

- 1). Vehicle Reversing:
No function
- 2). Vehicle Driving:
SW1: When the vehicle is parking, press the button will turn on or off the display monitor.

SW2: Press the button will display or off the image from the rearview camera.

2. Operation

1) How to turn the Rearview Mirror on/off

- A) The system is automatically on when ignition is turned on.
- B) The system turns off when ignition is turned off.

2) How to view the Rear-observation Camera Image

- A. The LCD can display the rearview camera image automatically whenever the vehicle is shifted into the reverse gear.
- B. When press SW2, the LCD can display the rearview camera image.
- C. Press SW2 again the LCD can automatically switch back to the original setting.

3) Volume Control

- A. The switch H is adjusted for control volume.
- B. The switch is on the right bottom of the mirror.

4) LCD Monitor Brightness Control

- A. The brightness adjustment control is switch E.
- B. The switch is on the left bottom of the rearview mirror.
- C. Rotating the wheel to the right can decrease the brightness.
- D. Rotating the wheel to the left can increase the brightness.

5) How to play an external audio or video signal

- A. Be sure the external audio or video device is engaged.
- B. Press SW1 to turn **on/off** the LCD and the external signal input.

NOTE: The function can be used only when the vehicle is parked.

6) Cellular Phone Hands-Free Operation

- A. Firstly, attach the round metal adhesive disc to the back of your mobile phone while it not in use; secondly, attach the mobile phone adhesive magnetic mount to your selected spot of the dash area; finally, place the cell phone with the metal disc over the center of the magnetic seat, it can be attached tightly to the dash.
- B. Plug in the 2.5mm hands free cable into your cell phone headset jack. The other end of this cable should be connected to the mirror jack.

NOTE: An adapter must be used if your cell phone hasn't a 2.5mm headphone jack. There aren't any cell phones compatible with this mirror hands-free circuit.

**CRIMESTOPPER
SECURITY PRODUCTS, INC.
1770 S. TAPO STREET
SIMI VALLEY, CA. 93063**

**TECH SUPPORT:
PHONE: 800-998-6880
FAX: 805-581-9500
WWW.CRIMESTOPPER.COM**

