



MODEL NO. 09.201LED
Rechargeable Light W/Wall-Mount Charger
INSTRUCTIONS

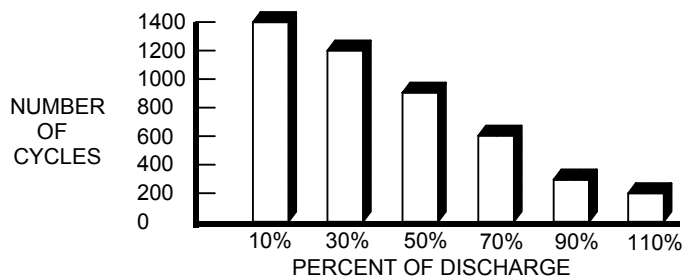
Before using, place light in charger so the contacts on the light will match up with the contacts on the charger. When the green LED light is glowing, the battery is fully charged. If the red light is glowing, the battery is being charged. (Red and green LED lights are located on the rechargeable light on the left-hand side of the handle.)

Your new SHO-ME LED Rechargeable has both "Flood" and "Spot" capabilities. By moving the two way toggle switch to the right you activate the High Intensity 5 Watt LED for the Spot Function. This function is used for shining long distances. When the two way switch is moved to the left the "Flood" function is activated. This function is for working in a close area, when you need to light up a wide area. The "Flood" function will run for an estimated time of 50 hrs, before requiring a recharge. The "Spot" function will run for an estimated time of 5 hrs before needing to be recharged. Although your NEW LED Rechargeable is capable of going for long periods of time without being recharged, it is recommended that you leave it on the charger when not in use.

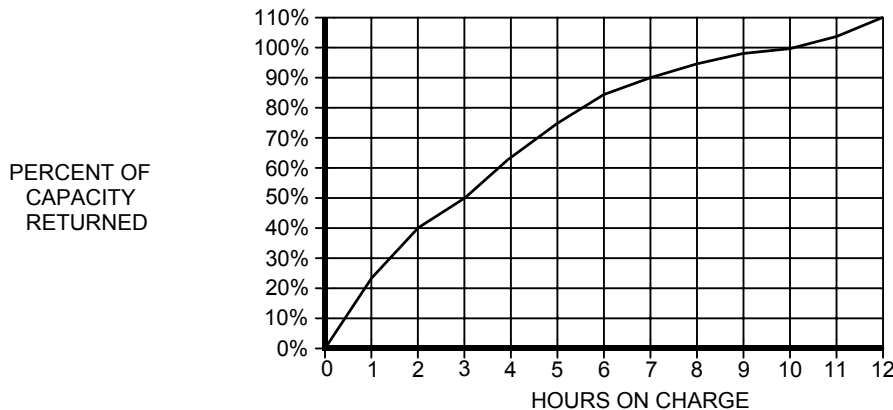
Your new SHO-ME rechargeable light is protected by a charging regulator, therefore it cannot be overcharged. When not in use, leave light in the charger so it will always be charged.

The SHO-ME rechargeable light should be mounted and charged with the bulb pointed up

NOTE: The battery used in your new SHO-ME rechargeable light is lead-acid battery. This is not a memory type battery and DOES NOT require being fully discharged. The battery can be recharged hundreds of times, depending on the depth of discharge. For prolonged battery life, always keep your rechargeable light in the charger and avoid running the light till the battery is completely dead.



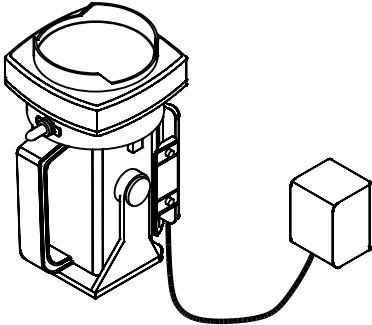
Number of discharge cycles at various depths of discharge to reach 60% of original life.





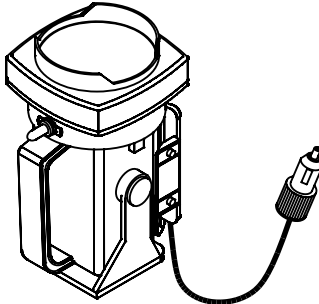
## Installation Instructions for the Wall-Mounted AC & DC Rechargeable Lights

### AC Charger



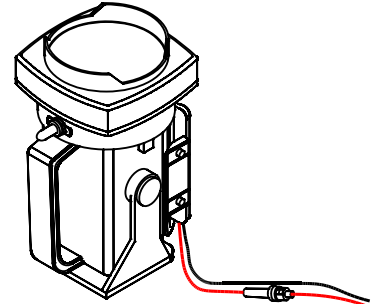
Mount the charger-base in an upright position (as in illustration) near a 110-volt receptacle. Plug the AC charger into the receptacle. Red light indicates the battery is charging.

### DC Charger



Mount the charger-base in a vehicle in an upright position (as in illustration) near the cigarette lighter or other accessory outlet and plug the DC charger into the receptacle.

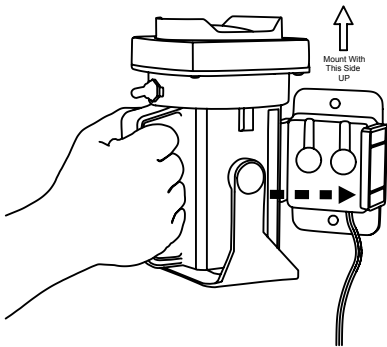
### Direct-Wire DC Charger



Mount the charger-base in a vehicle in an upright position (as in illustration). Connect the Black wire to ground and the Red wire to a constant +12-volt positive.

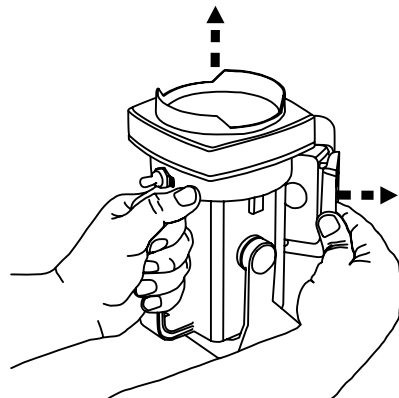
### Placing light on charging base

Hold light firmly in hand. Place left side of the light in the charging base then rotate light to the right until it latches into place.



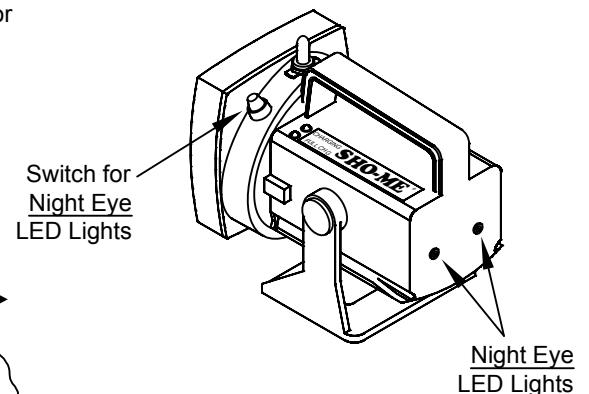
### Removing light from charging base

Hold light firmly in hand. Press out on the locking tab on the charging base then pull light from charging base or pull up on light to slide light from charging base.



### For Model No 09.201LEDTL & 09.201LEDTL Turning the Night Eye LED lights On & Off

Simply press the on/off button one time. This will turn the LED lights on in either a steady or flashing mode. To go to the other mode, simply turn the light off and turn it on again. Each time the LED lights are turned on, they will change modes.



**PRODUCTS COMPANY** 804 East Hwy 248 Cassville, MO 65625  
U.S. and Canada Toll Free Numbers Phone: 800-641-4098 FAX: 800-526-1240  
E-mail: sales@able2products.com WEB: www.able2products.com