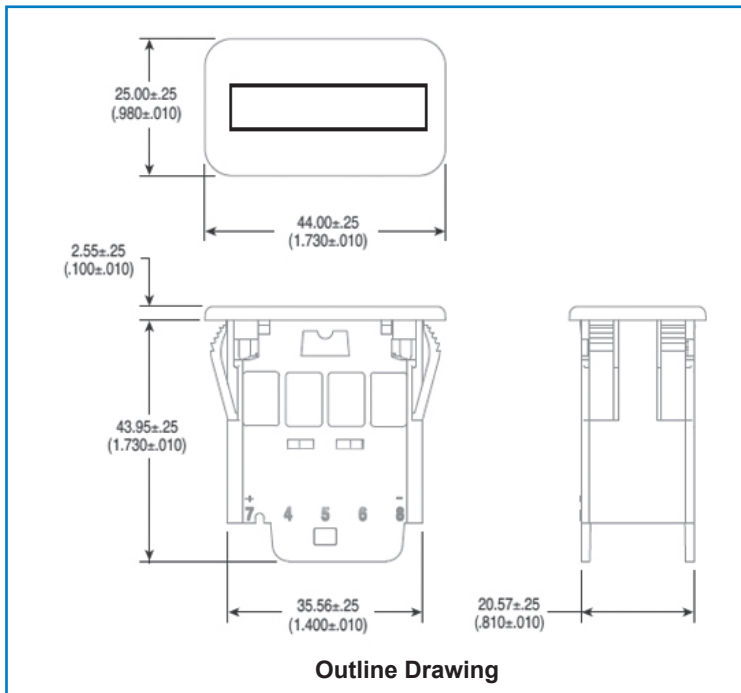
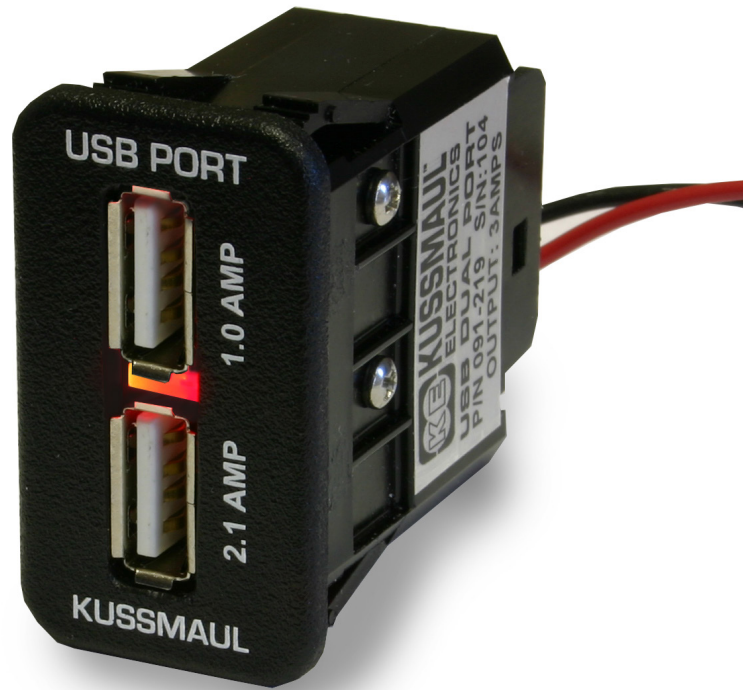


USB Dual Port

Dual USB Charging Port

Features

- Dual USB Charging Ports
- Quick and easy way to recharge electronic devices in a vehicle
- 3 Amps max output allows charging of both an iPad and iPhone at the same time
- Built-In LED Indicator indicates device is powered
- Designed for easy installation in vehicle switch panels
- Reverse polarity protected
- Can be connected to 12V switched ignition or directly to battery



Specifications: USB Dual Port

Input Voltage: 11-16 Vdc

Input Current: 1.5 Amps Max

Output Voltage: 5.0 Volts

Output Current: 3 Amps Max

Indicator: Device Powered: Red LED

Cut-Out Size: 1.45" x .83"

Warranty: 3 Years



Part Number	Description	Electrical Data		Dimensions			Wgt.
		DC Volts	DC Amps	L	W	D	
091-219	USB Dual Port	5	3	1.73"	.98"	1.73"	.25