

Limited Warranty

Able 2 Products Company warrants each new product (except bulbs, strobe power supplies and strobe tubes) to be free from defects in material and workmanship for a period of two years from the date of purchase. During this warranty period, the obligation of Able 2 is limited to repairing or replacing, as Able 2 may elect, any part or parts, which after examination by Able 2 are determined to be defective, when they are delivered pre-paid. This limited warranty does not cover travel expense, the cost of specialized equipment for gaining access to the product, or labor charges for the removal and re-installation of the product.

Able 2 Products Company shall not be liable for incidental or consequential damages, including but not limited to: Loss of use of vehicle, Rental of substitute vehicle, Loss of time, Loss of work, Inconvenience, Transportation expenses, Telephone, Lodging, Loss of revenue, Loss of and/or damage to personal property for or arising out of breach of any express or implied warranty of its products.

Use of lamp or other electrical load of a wattage higher than installed or recommended by the factory, or use of inappropriate or inadequate wiring or circuit protection causes this limited warranty to become void. Able 2 Products Company will in no way be liable for any loss of profits or any indirect or consequential damages arising out of any such defect in material and workmanship whether loss is due to negligence or breach of warranty. This limited warranty does not apply to shipping damage, accident, alteration, tampering, misuse or abuse and unauthorized service.

This limited warranty is expressly in lieu of all other express or implied warranties, including the implied warranty of merchantability and the implied warranty of fitness for a particular purpose, and of all other obligations or liabilities on the part of Able 2 Products Company. There are no warranties, unless expressed in authorized Able 2 literature, which extend beyond the description of the face hereof. No dealer, distributor, employee, or representative of the company is authorized to change this warranty in any way or to grant any other warranty.

Product Returns

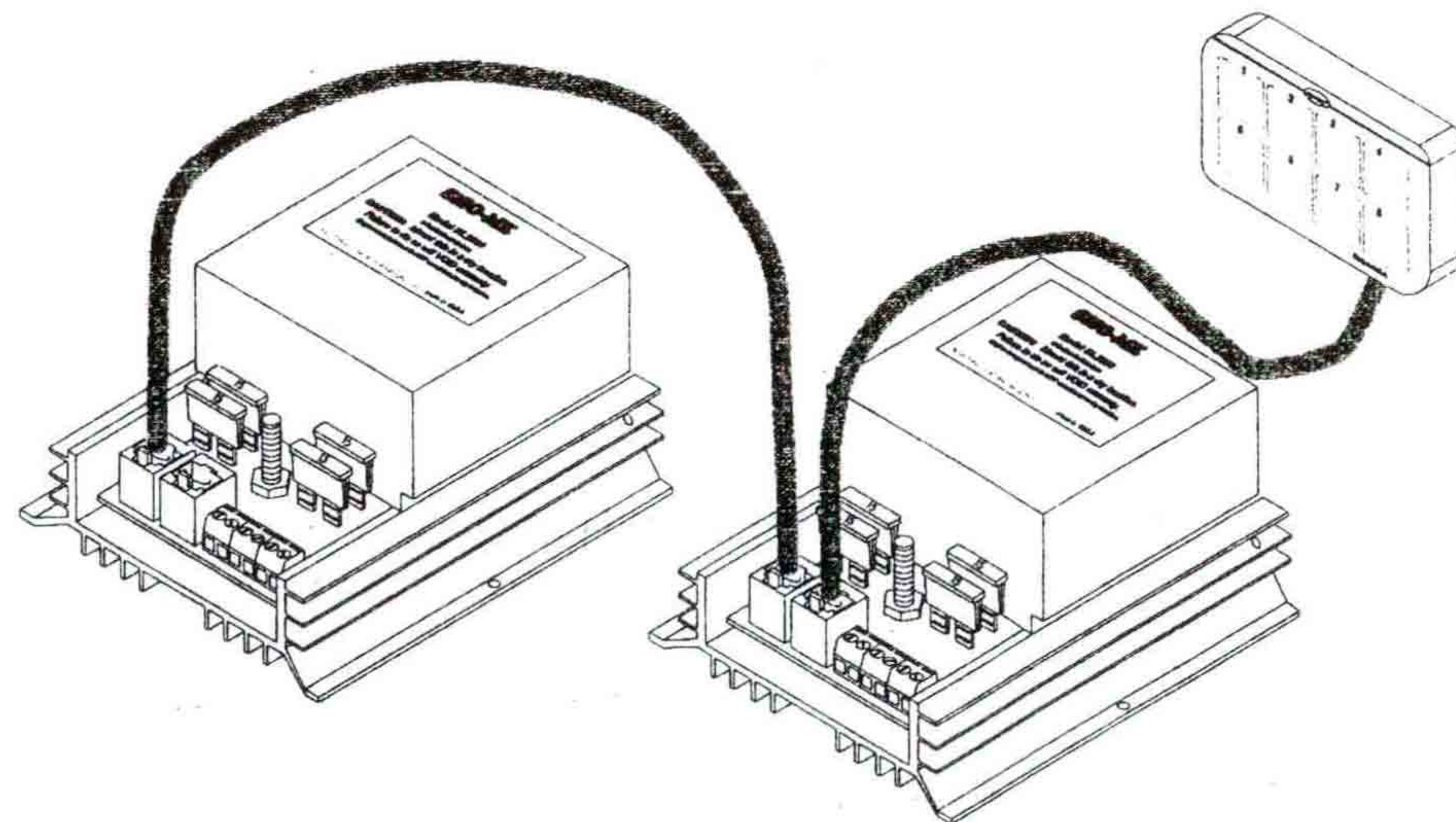
If a product must be returned, contact our factory by calling 1-800-641-4098 to obtain a Return Authorization Number (RA) before you ship the product. Write the RA Number clearly on the package and return it to Able 2 Products Company, P.O. Box 543, 804 E. Hwy. 248, Cassville, MO 65625-0543. A packing slip should be included with all shipments listing the sender's name, address, daytime phone number and description of defect. Your product will be put in first-class operating condition or replaced with a new part, and returned pre-paid.

WARRANTIES:

Strobe Power Supplies ————— 5 years
All other products (EXCEPT Bulbs) — 2 years (Under normal use)
Note: Strobe Tubes - 1 Year Warranty (Under normal use)
Halogen and Incandescent bulbs are not covered by warranty.



Model 31.8040 8 Outlet Switch box kit with remote mini controller Operating Manual



SWPS.COM
SOUTHWEST PUBLIC SAFETY

Able 2

PRODUCTS COMPANY 804 East Hwy 248 Cassville, MO 65625
U.S. and Canada Toll Free Numbers Phone: 800-641-4098 FAX: 800-526-1240
E-mail: sales@able2products.com WEB: www.able2products.com

Specifications

- * 8 - 15 amp outlets:
- * Compact remote mini controller mounts in tight spaces or can be hand-held.
- * Soft-touch switches
- * LED lights illuminate each switch and highlight selected function.
- * Controller easily connects to switch box with plug-in attachment.
- * Solid-state electrical components.
- * Engineered to withstand reverse polarity and high-voltage spikes.
- * Made in the U.S.A.
- * Mini Controller Dimensions : 1-13/16" H x 3-1/8" W x 1/2" D
- * Switch Box Dimensions (each) : 2-3/8" H x 4-3/8" W x 5-3/8" D

Keypad

These 8 keys select all of the operating features on the 31.2508 .
Switches 1-8 operate 1 - 15 amp output each.

Connections

Connect the 16 gauge Black wires to the Gnd location on the terminal strips and connect the opposite end of the 16 gauge Black wires to chassis ground.
Connect the ring terminal ends of the Red 12 gauge wires to the +12 Power brass studs on the switch boxes. Install the brass nuts and tighten firmly but do not over tighten. Connect the bare ends of the Red 12 gauge wires to the positive terminal of the vehicle's battery (Note: This wire should be connected to a 50 amp circuit breaker at the battery, not included).
Connect the Red 16 gauge wires to the +12 Ign location on the terminal strips and connect the opposite ends of the Red 16 gauge wires to the vehicle's +12 volt ignition circuit and install 20 amp inline fuses (not included).
Connect the cable from the 31.2508 mini controller to the master switch box model 31.2000 as shown in diagram below.
Connect the data cable model 31.2002 from the master switch box model 31.2000 to the slave switch box model 31.2005 as shown in diagram below.

Connections continued

Connections for outlets 1 -4 on master switch box Fig .C and 1-4 on slave switch box Fig .B
Connect each 16 gauge wire to the corresponding number on the master switch box and slave switch box terminal bars shown in Fig .B & Fig .C .

Slave - Fig .B		Master - Fig .C	
Terminal	Wire Color	Terminal	Wire Color
1	Green	1	Blue
2	White	2	Orange
3	Yellow	3	Gray
4	Brown	4	Purple

