

OPERATING INSTRUCTIONS - 121494

PRODUCT:

Oil Mist Eliminator (Ø 30mm – 21m³/h)

PART NUMBER:

121494

COMPATIBILITY:

This Oil Mist Eliminator **REPLACES** Part Number: **107348**



SAFETY PRECAUTIONS:



Duty To Inform

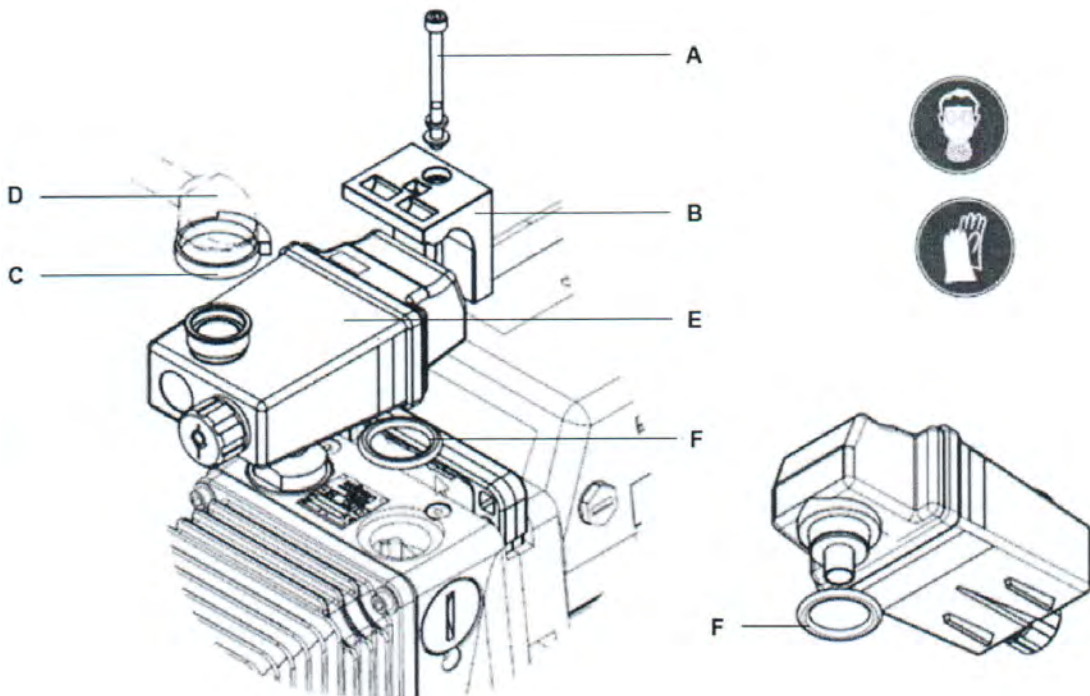
Every person who is involved in maintenance and servicing work on the pump must read and follow the safety-relevant parts of all associated documents.

WARNING



Environmental Protection

The product or its components must be disposed of in accordance with the applicable regulations relating to environmental protection and human health, with a view or reducing natural resource wastage and preventing pollution.



Tools

5 mm Allen key

To locate the oil mist eliminator, see the leak detector manual.

MAKE SURE THE LEAK DETECTOR IS OFF

Procedure

- ✓ Loosen the screw (A) of the oil mist eliminator's bracket (B).
- ✓ Remove the fixing clamp (C) of the hose and then the hose (D).
- ✓ Remove the oil moist eliminator (E) and the o'ring (F).
- ✓ Install the new oil moist eliminator in the reverse dismantling order

