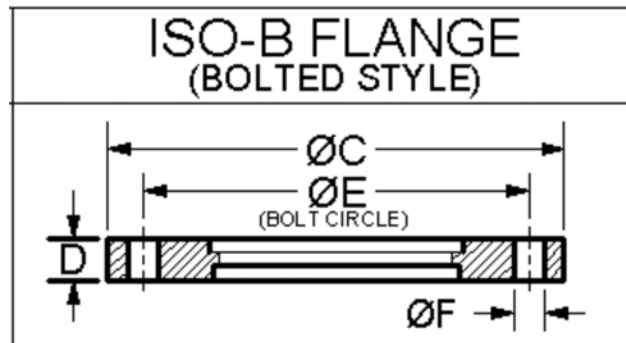
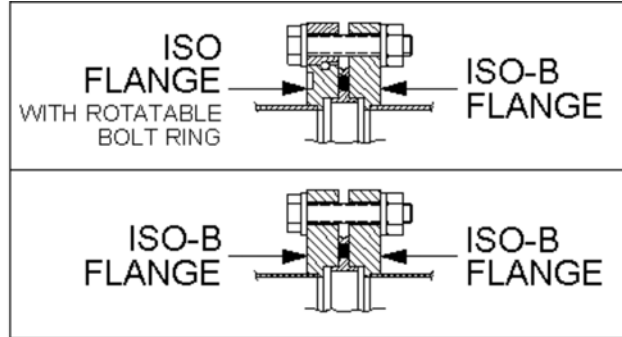


Knowledge Is Power!

Read about ISO Bolted Flanges – They are very unpopular!

ISO-B (bolted) flanges are sexless, self-centering, available for either internal or butt welding, and if bolted to a rotatable bolt ring (which contain an ISO style flange) can be infinitely rotatable.



Nominal Flange Size Designation (mm)	Suggested Tubing Dims: O.D. x Wall (inches)	C (OD) (mm)	D (Thickness) (mm)	E (Bolt Circle) (mm)	F (Bolt Holes) (mm)	N (No. Holes)	Wrench (mm)
<b>ISOB63</b>	2.50 x .065	5.12 (130)	0.47 (12)	4.33 (110)	0.35 (9)	4	13
<b>ISOB80</b>	3.00 x .065	5.71 (145)	0.47 (12)	4.92 (125)	0.35 (9)	8	13
<b>ISOB100</b>	4.0 x .065	6.5 (165)	0.47 (12)	5.71 (145)	0.35 (9)	8	13
<b>ISOB160</b>	6.00 x .083	8.86 (225)	0.63 (16)	7.87 (200)	0.45 (11)	8	17
<b>ISOB200</b>	8.00 x .120	11.22 (285)	0.63 (16)	10.24 (260)	0.43 (11)	12	17
<b>ISOB250</b>	10.00 x .125	13.19 (335)	0.63 (16)	12.2 (310)	0.43 (11)	12	17

Knowledge Is Power!  
 Read about ISO Bolted Flanges – They are very unpopular!

<b>ISOB320</b>	12.75 x .165	16.73 (425)	0.79 (20)	15.55 (395)	0.55 (14)	12	19
<b>ISOB400</b>	16.00 x .188	20.08 (425)	0.79 (20)	18.9 (480)	0.55 (14)	16	19
<b>ISOB500</b>	20.00 x .188	24.02 (610)	0.79 (20)	22.83 (580)	0.55 (14)	16	19