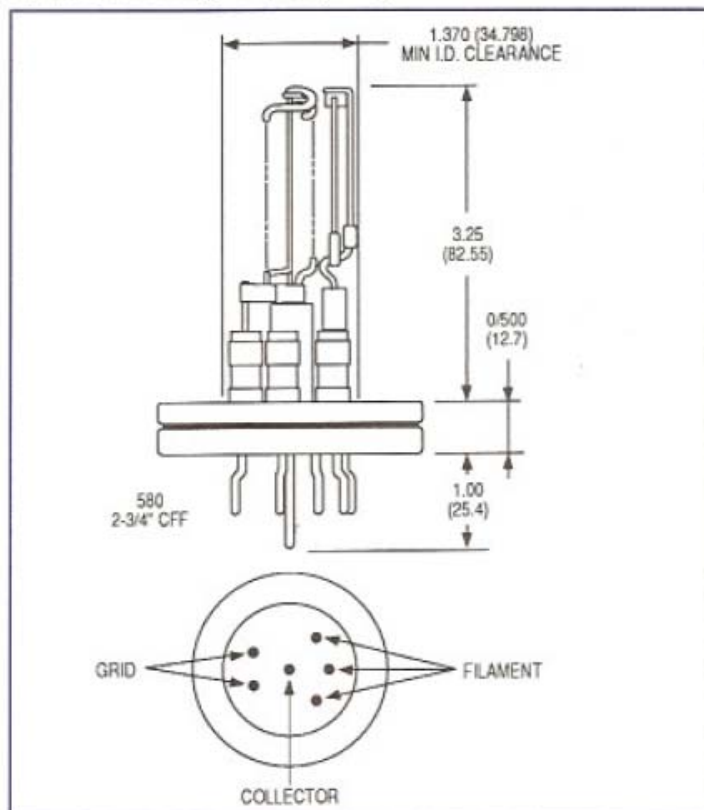


# 580 Nude Bayard-Alpert Type Ionization Gauge Tube

The 580 is a rugged, open gauge with broad range operating pressure capabilities. Available on either a ConFlat® flange (bakeable to 450° C) or a NW 40 Klamp Flange™, the gauge can be used with a variety of controllers. The 580 utilizes a long-life thoria-coated iridium filament that is easily replaceable in the field.

outline drawing inches(mm)



## INFORMATION ONLY

Sensitivity:	8 (Torr) <sup>-1</sup>
X-Ray Limit:	4 x 10 <sup>-10</sup> Torr, (5.2 x 10 <sup>-10</sup> mbar)
Operating Pressure:	4 x 10 <sup>-10</sup> to 5 x 10 <sup>-2</sup> Torr (Air) 4 x 10 <sup>-10</sup> to 1 x 10 <sup>-1</sup> Torr (Argon)

## specifications

## ordering information

Order Number

580 nude ionization gauge tube	
On 2-3/4" ConFlat flange (thoria-coated iridium)	0580-L5150-302
On 2 3/4" ConFlat flange, tungsten filament	0580-L5150-304
On NW 40 KF, thoria-coated iridium	0580-L5150-303
On NW 40 KF, tungsten filament	0580-L5150-305
Filament replacement kit (thoria-coated iridium)	0581-L5151-301
Filament replacement kit (tungsten filament)	0581-L5151-302
Bakeable mating cable for 880 digital ion/TC gauge controller	0891-L5149-310