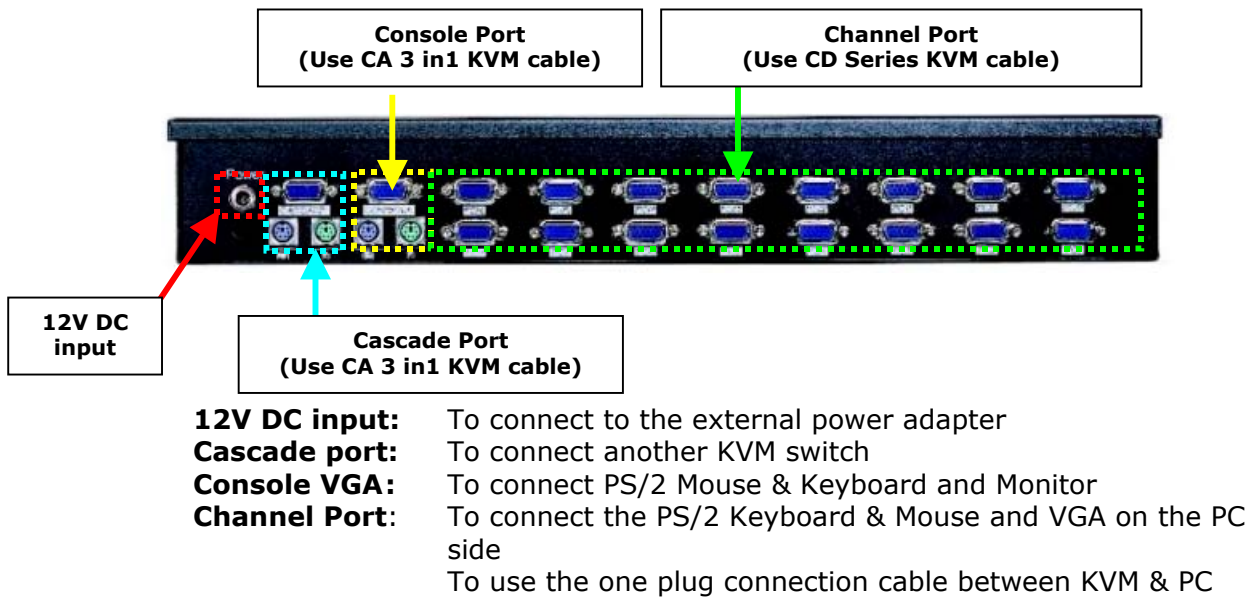


# KVM Switch/Cascade

## KVM:



## Cascade:

Using 3 in 1 KVM cable connect from **Bank1's "Cascade port"** to **Bank 2's "Console port"**. After connected please press "Bank" & "Channel" button on the front of the KVM switch to reset the KVM switch

**Bank 1** (Individual KVM switch)



Use CA  
KVM Cable

**Bank 2**(Individual KVM switch)



Use CA  
KVM Cable

**Bank 3**(Individual KVM switch)



Use CA  
KVM Cable

**Bank 8 Max.** (Individual KVM switch)



## **Cascade Level Max. Level**

- Max. PC connection is 128( all using 16 ports)
- All KVM Switch is compatible and can cascade with each other
- Using 3 in 1 KVM cable to cascade
- Normal distance from one KVM to another is 15ft