

# Hydronic Omnipanel Specifications

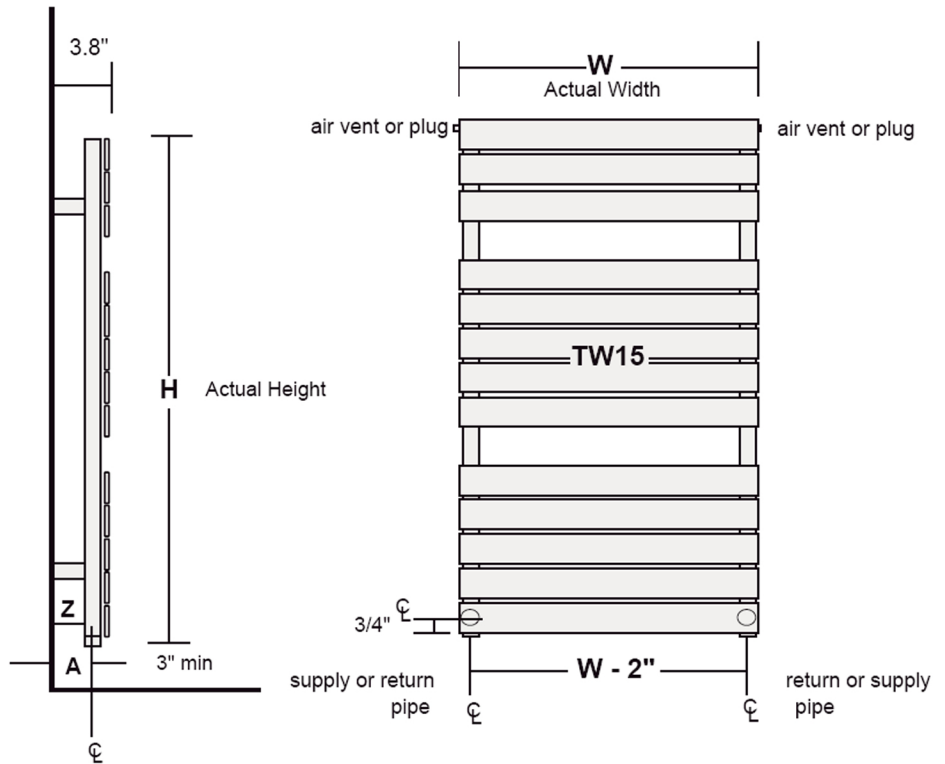
Model : TW18

Height : 52.3"

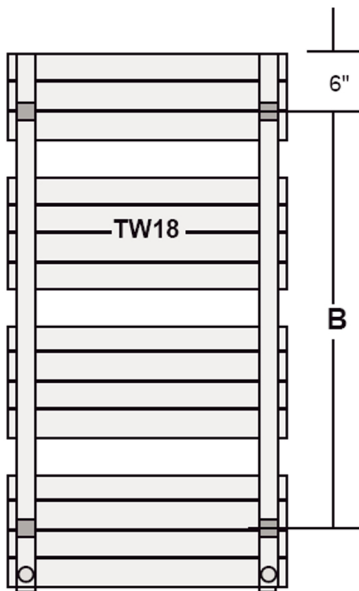
A Connection CL to Wall : 2.8"

Bracket to Bracket : 40.8"

Z Connection Wall to Panel : 2.0"



## Mounting Bracket Locations



Actual Width W	16 in	20 in	24 in	30 in	36 in
Pipe CL to CL	14 in	18 in	22 in	28 in	34 in

**Runtal North America, Inc.**  
 187 Neck Road  
 PO Box 8278  
 Ward Hill, MA 01835  
 1-800-526-2621  
 In Canada: 1-888-829-4901  
 Fax 1-978-372-7140  
<http://www.runtalnorthamerica.com>  
[info@runtalnorthamerica.com](mailto:info@runtalnorthamerica.com)