

# GLOBAL KING™ MONORAIL WIRE ROPE HOISTS





# Global King™ Monorail Hoists

Capacities from  
1 to 15 ton

Yale *Global King* monorail wire rope hoists are built for the world market and combine over 130 years of experience with the latest in manufacturing and materials technology, rigid design standards and the best quality components available to create a feature-filled, rugged, easily maintained hoist line.

All Yale *Global King* monorail hoists are metric capacity rated, low headroom, heavy-duty, built to meet and exceed either FEM 2m or 3m duty (similar to ASME H4 or H4+ duty) providing long life in heavy applications with the higher lifting speeds and precise positioning control demanded by industry worldwide.



## Top Running Series Available

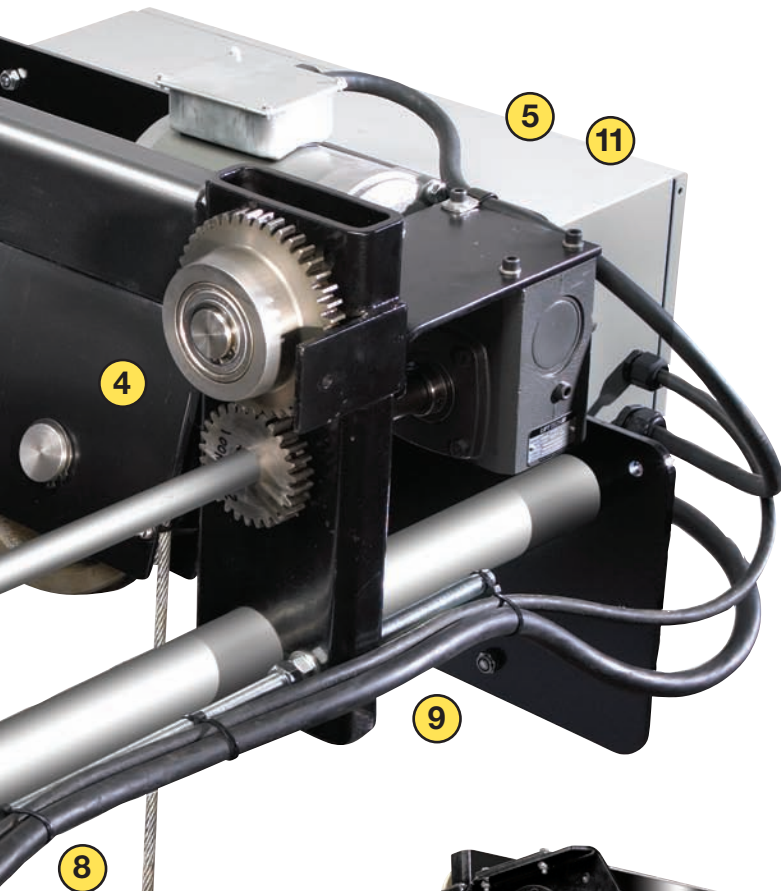
Our entire series of Yale Global King™ Monorail hoists are available in top-running versions, from 5 to 25 ton capacities.



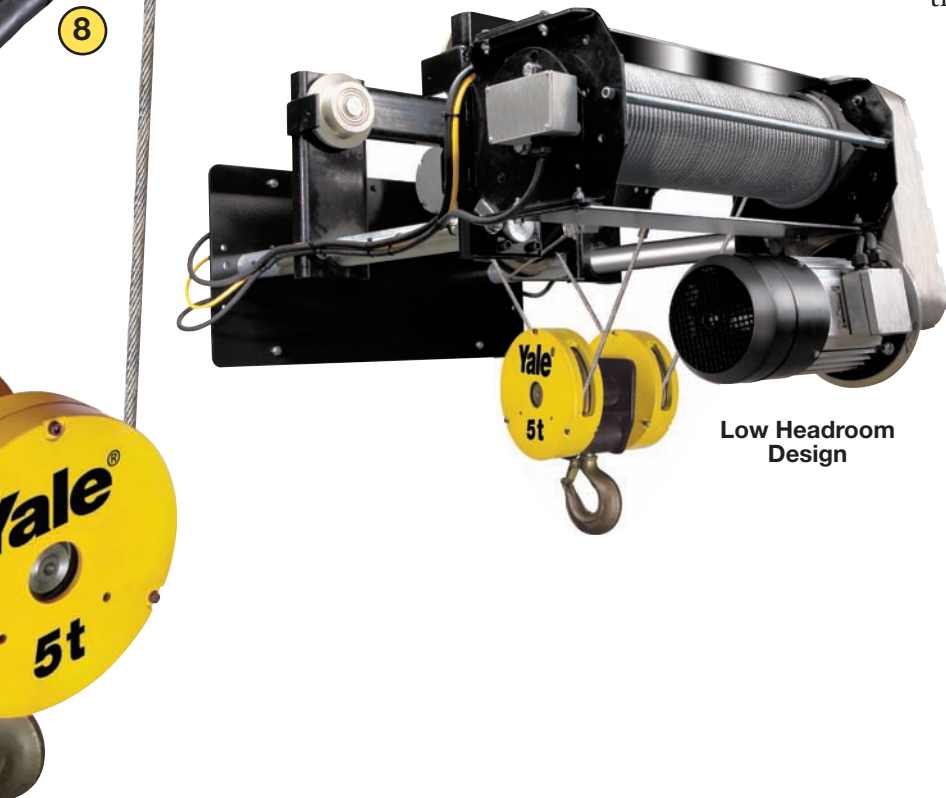
Shown: 5 ton capacity

# Global King™ Monorail Hoists

Designed and Built to Meet Global Requirements

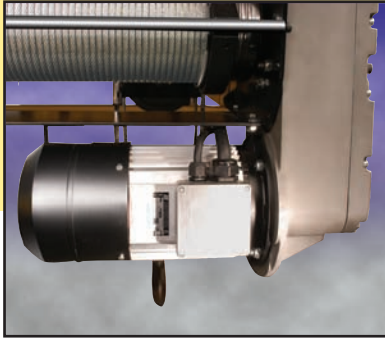


- 1 Rope drum deep-grooved with heavy-duty rope guide as standard.
- 2 Heavy-duty DC disc brake rated at 200% torque, provides quick, positive stops and load holding.
- 3 Motors designed and manufactured specifically for hoisting service.
- 4 Steel compound tread wheels for long life and use on either wide-flange or “S” beams. One wheel on each side of trolley driven for positive tracking.
- 5 All controls housed in a NEMA 4/12 enclosure with easily accessible electrical components.
- 6 Triple reduction hoist gearing in an oil tight gear case.



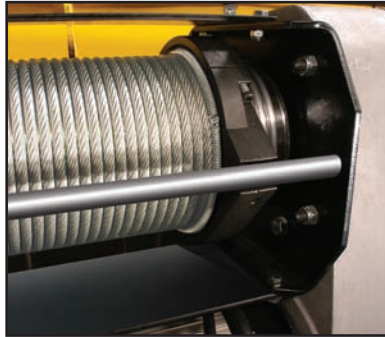
- 7 Heavy steel frame provides a solid foundation and positive alignment of key components.
- 8 Low headroom design assures maximum hook travel.
- 9 Trolley is easily adjustable to handle a wide range of beam flange widths.
- 10 Upper/lower geared limit switch is standard for regulated load travel.
- 11 Two-speed hoist and trolley control for smooth acceleration and precise load positioning.

# Yale® STANDARD FEATURES



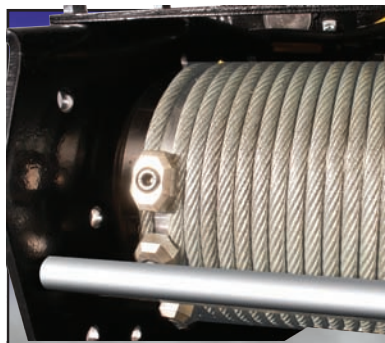
## HOIST GEAR CASE & MOTOR

Triple reduction hoist gearing is oil bath lubricated, operating in an oil-tight, cast aluminum gear case. The gear case is conveniently located to allow ease of access in the air, while providing a low headroom design with maximum lift. The motor is two-speed with a 4:1 ratio from high to low speed; giving a low speed for precise load handling and a high speed for fast throughput.



## WIRE ROPE DRUM and ROPE GUIDE

The wire rope drum is machined from quality steel, deep-grooved with a rope guide to help ensure the rope stays in the grooves.



## DRUM, REEVING and LOWER BLOCK

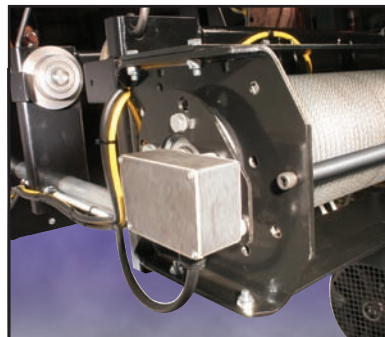
Hoist is reeved to a low-headroom design lower block for minimum headroom and maximum lift. Wire rope is secured to the drum with three heavy ductile iron clamps and designed to have three extra wraps of wire rope on the drum with the rope at full extension (low hook).



## TRUNNION STYLE BLOCK AND HOOK

Each hoist comes with a bearing mounted trunnion hook that rotates 360° and swings back and forth 180° for easier load adjustment.

NOTE: Standard on 2 to 15 ton capacity hoists.

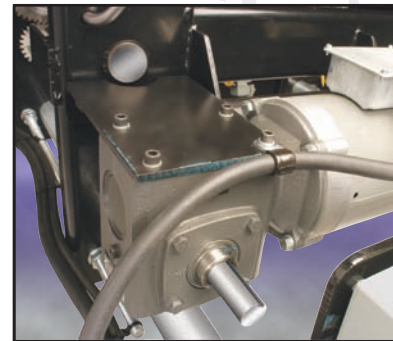


## UPPER/LOWER GEARED LIMIT SWITCH

The hoist is provided with an upper/lower, geared control circuit hoist motion limit switch as standard. An additional block-operated upper control circuit limit switch is available as an option.

## HOIST OVERCAPACITY LIMIT SWITCH

A hoist overcapacity limit switch is provided as standard to prevent lifting excessive overloads.



## TROLLEY TRAVERSE DRIVE

Two wheels are driven; one on each side of the frame for maximum traction and uniform tracking. Traverse motor drives a right angle worm gear reducer for smooth starting and stopping.



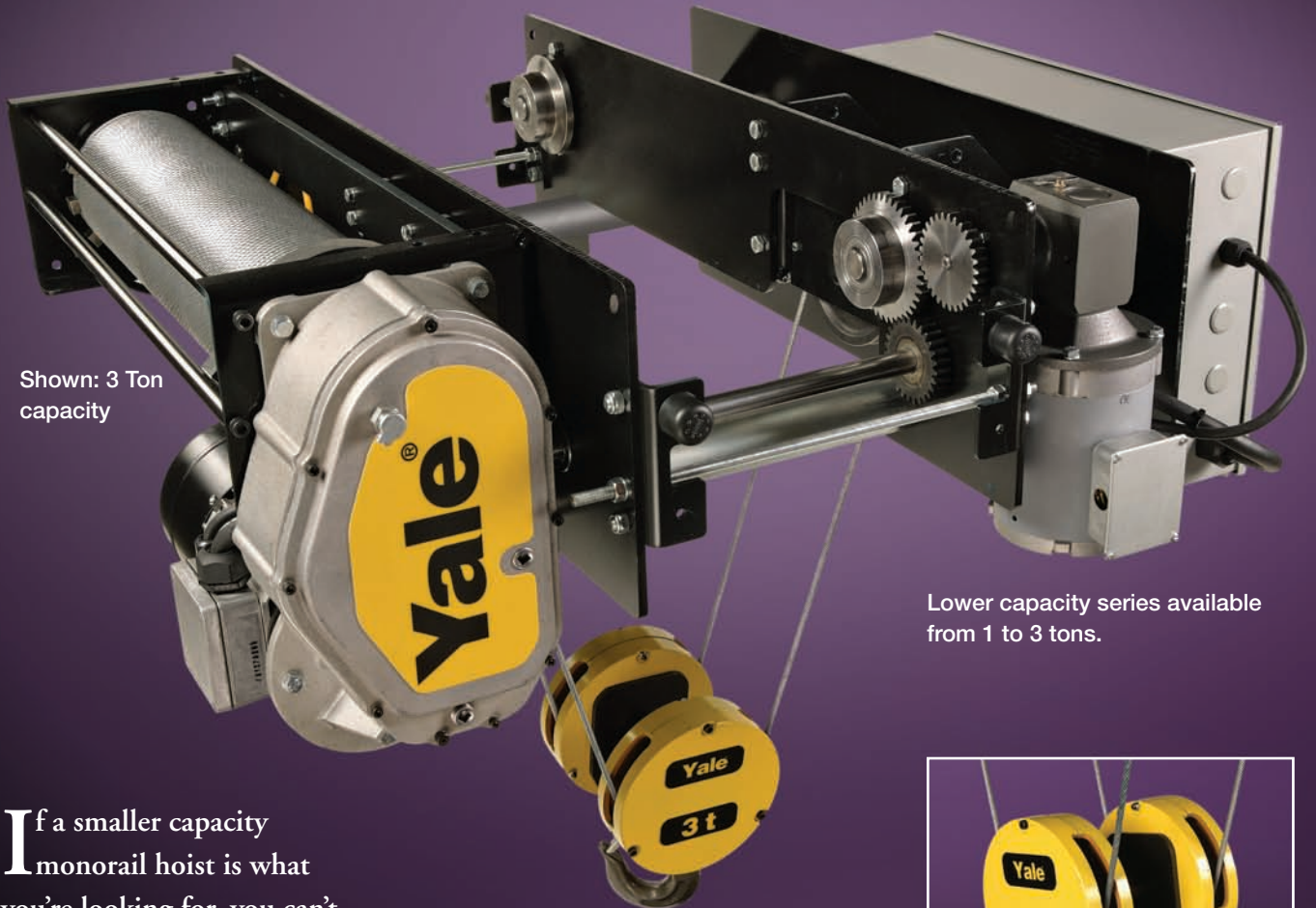
## CONTROL PANEL

Hoist and trolley controls are housed in a common NEMA 4/12 enclosure with the following features as standard:

- Phase-loss detection/protection
- Motor line fusing
- Fused control circuit transformer
- Hoist motion monitor
- Motor thermal overloads
- Hoist over capacity limit switch
- All components are of the highest quality and the panel design meets National Electric Code (NEC).

# Our Smaller Capacity Hoists Have All The Same Features As Our Larger Hoists

Smaller Capacity. Big Performance.



Shown: 3 Ton capacity

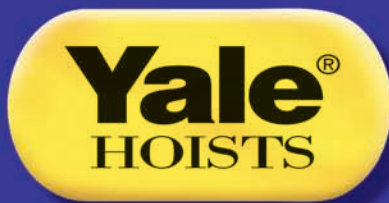
Lower capacity series available from 1 to 3 tons.

If a smaller capacity monorail hoist is what you're looking for, you can't beat the Yale Global King™ 1-3 Ton Series. They're not only made under the same high standards as their big brothers, but come with all the same great features.

Bearing mounted trunnion hook rotates 360° and swings back and forth 180° for easier load adjustment. Standard on 2 to 15 ton capacities.



Ultra-Low headroom design—as low as 16" from wheel tread to saddle of hook.



**⚠ WARNING**

**To Avoid Injury:**

- Do not exceed working load limit, load rating, or capacity.
- Do not use to lift people or loads over people.
- Read and follow all instructions.

For additional information, contact your Yale representative or Yale headquarters direct

**414 West Broadway Ave. • P.O. Box 769 • Muskegon, MI 49443**  
**PH: 800-742-9269 • FX: 800-742-9270**

PRINTED IN U.S.A. / COPYRIGHT 2007, YALE / LIFT-TECH, DIVISION OF COLUMBUS MCKINNON CORPORATION / BULLETIN NO Y/L-1013-0907

