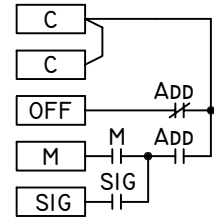
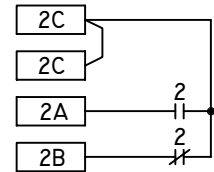
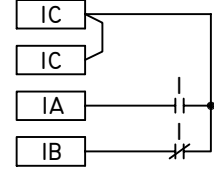


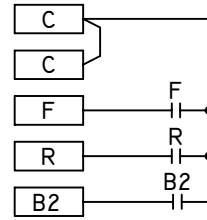
MASTER



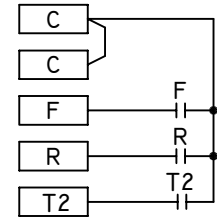
AUXES



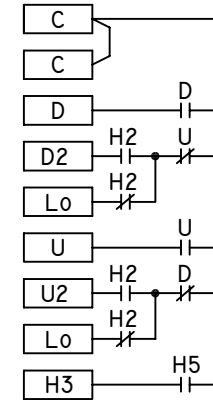
B RIDGE



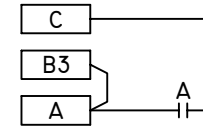
T ROLLEY



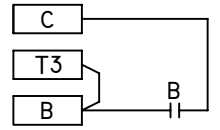
H OIST



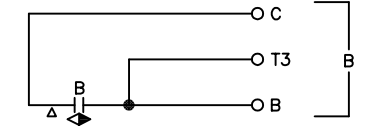
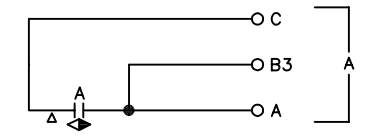
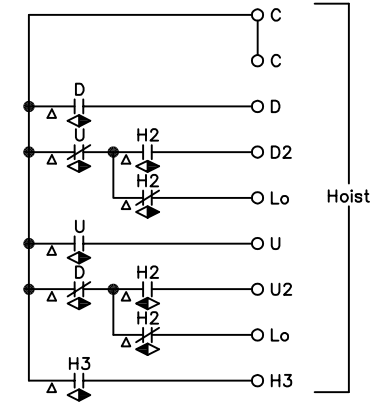
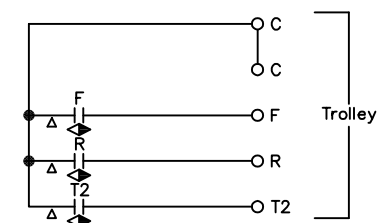
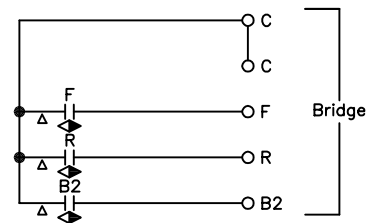
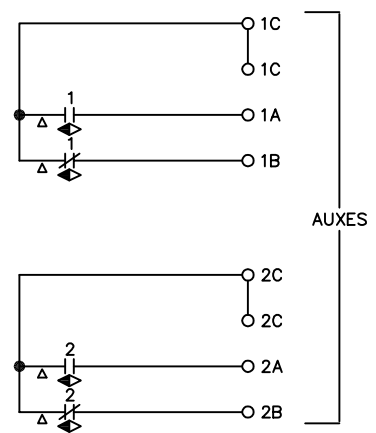
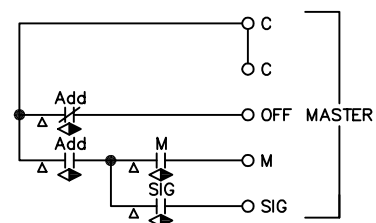
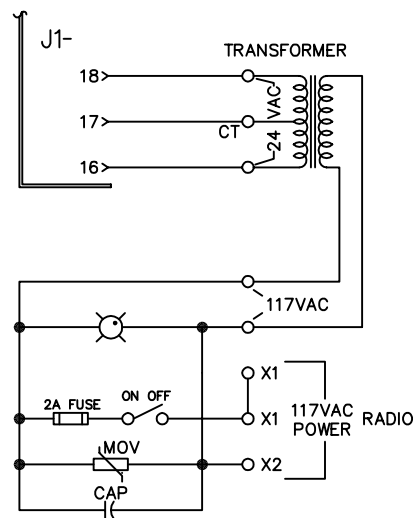
A



B



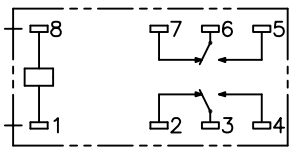
FILE NO.	SCALE	THIS DRAWING IS THE PROPERTY OF ROBINSON ENGINEERING CO. AND IS SUBJECT TO RETURN UPON DEMAND. IT SHALL BE CONSIDERED CONFIDENTIAL AND SHALL NOT BE USED IN ANY MANNER THAT IS DETRIMENTAL TO THEIR BEST INTERESTS.	ROBINSON ENGINEERING COMPANY <small>GARLAND, TEXAS</small>
DATE 8-20-99			
ASSY REF.		OUTPUT CIRCUITS	
RELEASE			
CUST. NO.			
DRAWN Scott Booker	STANDARD TOLERANCES EXCEPT AS NOTED: .XXX DECIMALS ± .010 FRACTIONS ± 1/32 .XX DECIMALS ± .020 ANGLES ± 1°	DWG. NO. 12-1767	REV.
DATE 8-20-99	ALL DIMENSIONS IN INCHES	SHEET 1 OF 1	



G2R-2-SN(DC)
CONTACT LOCATOR
(BOTTOM VIEW OF RELAY)

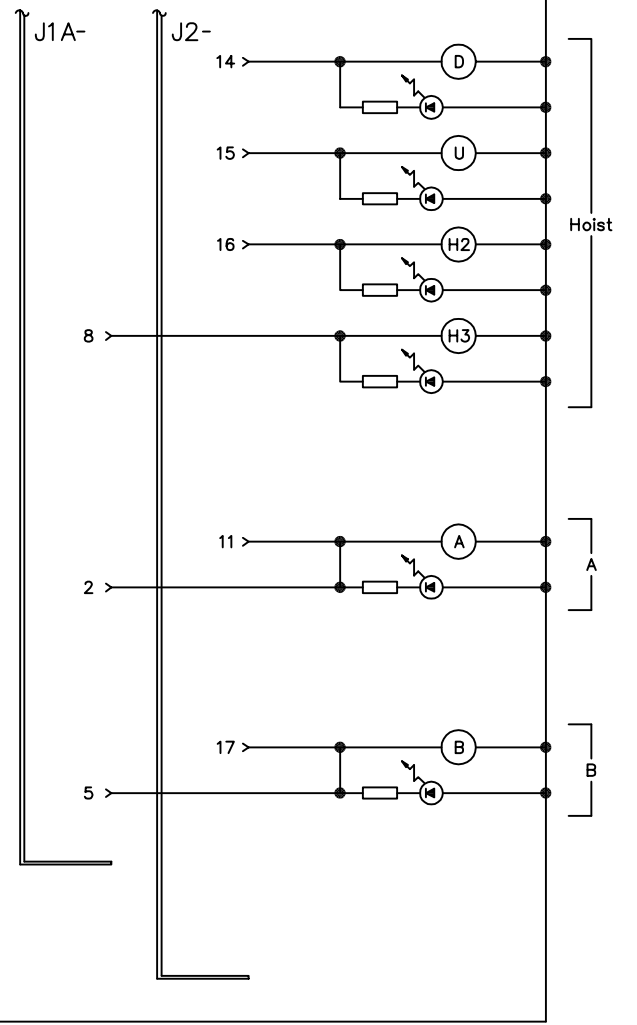
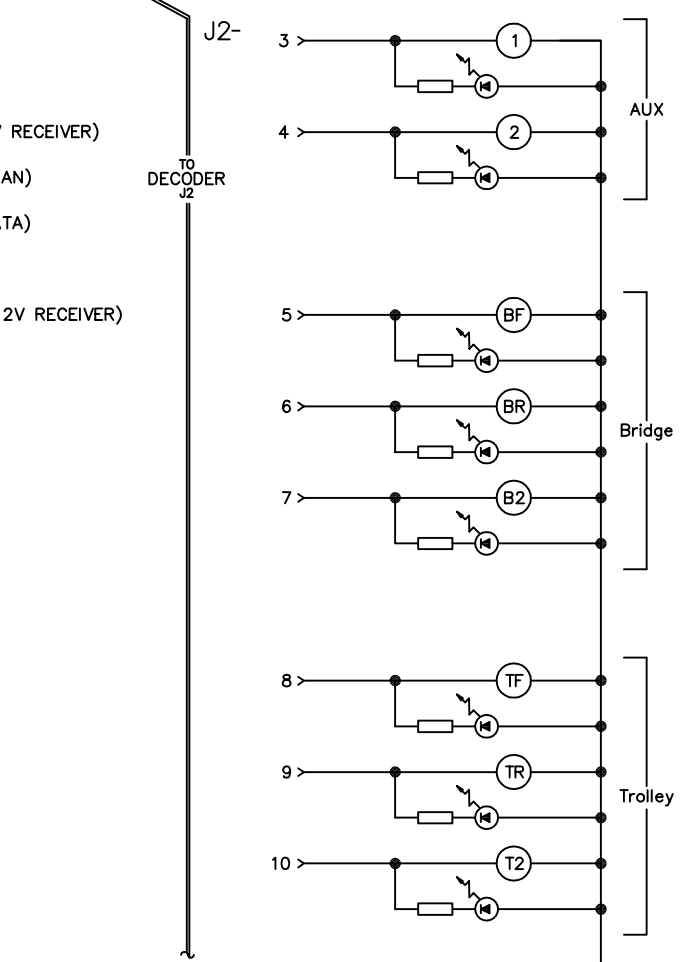
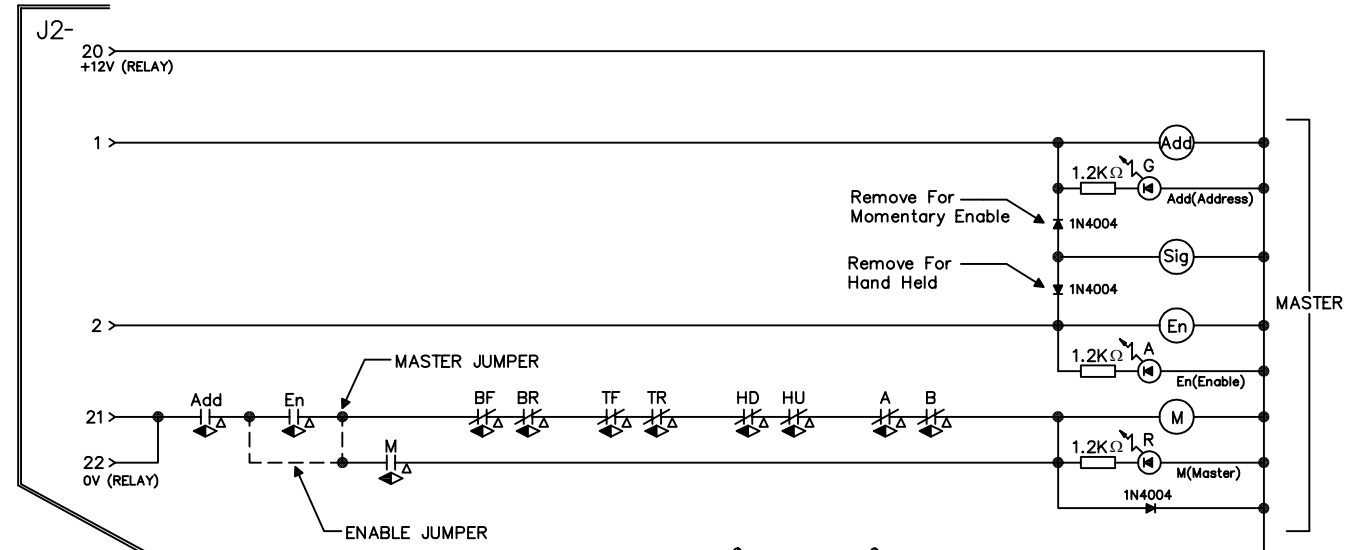
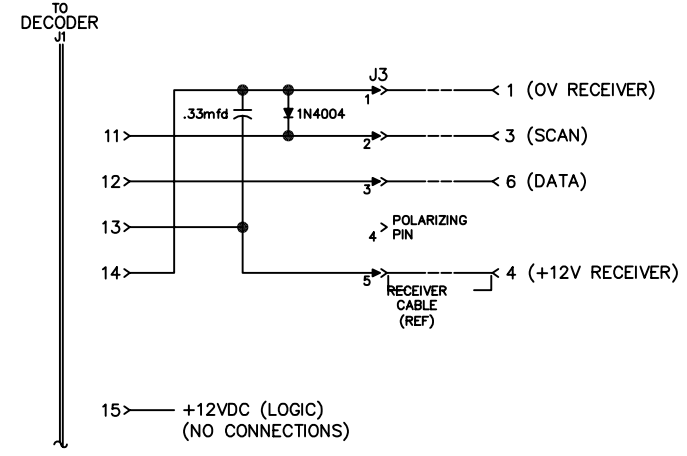
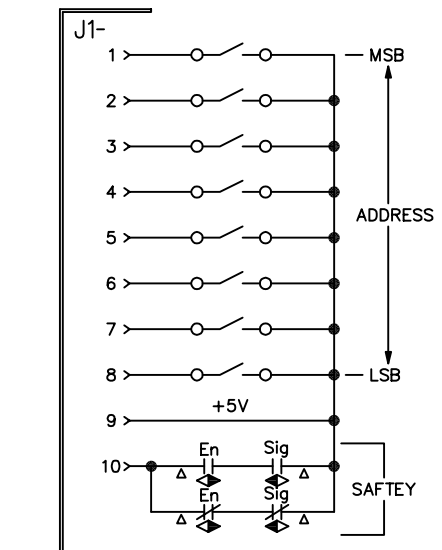
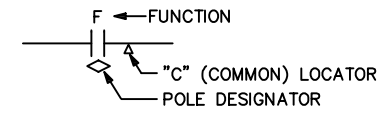
TO +12V (RELAY) - COIL
ALL RELAYS.

TO J2-ALL - COIL
RELAYS EXCEPT
MASTER.



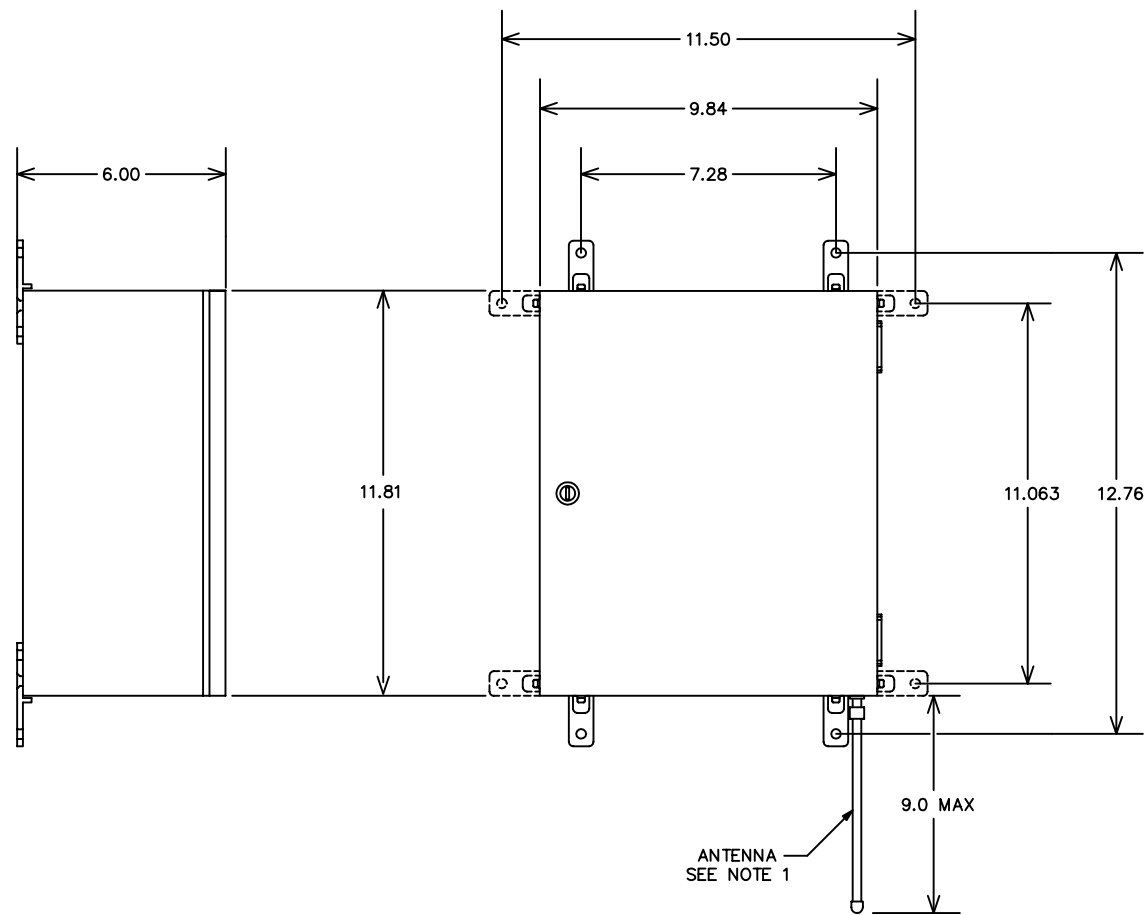
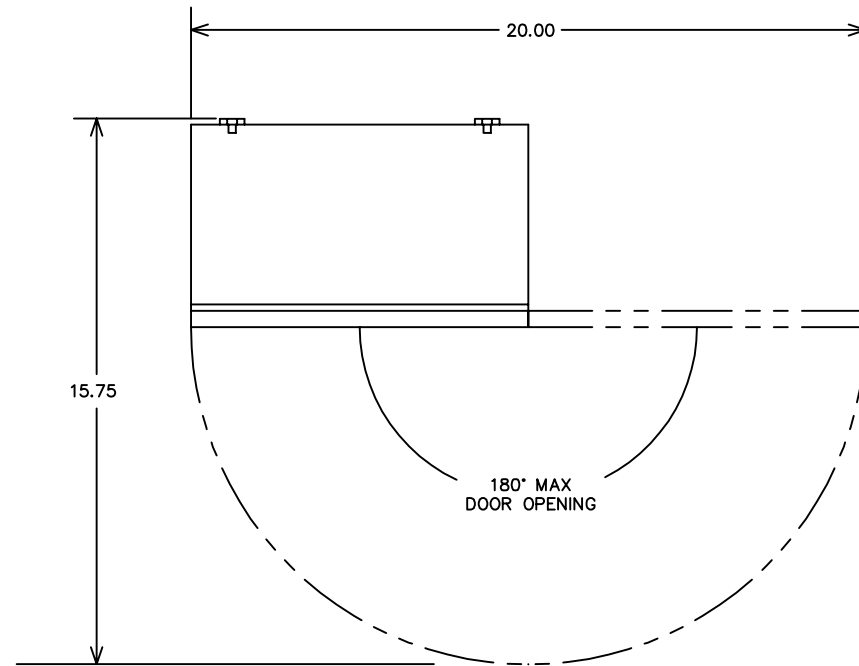
POLE
DESIGNATOR
◀ BOTTOM
◀ TOP

CONTACT SYMBOL



FILE NO.	SCALE	THIS DRAWING IS THE PROPERTY OF ROBINSON ENGINEERING CO. AND IS SUBJECT TO RETURN UPON DEMAND. IT SHALL BE CONSIDERED CONFIDENTIAL AND SHALL NOT BE USED IN ANY MANNER THAT IS DETRIMENTAL TO THEIR BEST INTERESTS.	ROBINSON ENGINEERING COMPANY Garland, Texas
DATE 11-23-99	ASSY REF.		
RELEASE	SCHEMATIC, CONTROLLER		
CUST. NO.	STANDARD TOLERANCES EXCEPT AS NOTED: XXX DECIMALS ± .010 FRACTIONS ± 1/32 .XX DECIMALS ± .020 ANGLES ± 1°	DWG. NO. 12-1768	REV. A
A	Revised Contact Locator Diagram	9-26-03	DRAWN Scott Booker
REV.	DESCRIPTION	DATE	DATE 11-23-99

A	Revised Contact Locator Diagram	9-26-03
REV.	DESCRIPTION	DATE



NOTES:

1. ENCLOSURE SHOULD BE LOCATED SO THAT ANTENNA IS VERTICAL AND CLEAR OF LARGE METAL OBJECTS AND CRANE ELECTRIFICATION. FOR ANTENNA LOCATED REMOTELY, CONTACT ROBINSON ENGINEERING COMPANY FOR REMOTE ANTENNA INSTALLATION KIT. PREFERABLY, ANTENNA SHOULD BE IN VIEW OF OPERATOR.
2. CONDUIT ENTRY MUST BE CONFINED THRU GLAND PLATE ON THE BOTTOM AND NO CONDUCTORS SHOULD BE ROUTED ABOVE THE TERMINAL STRIP AREA.

FILE NO.	SCALE 3/8"	THIS DRAWING IS THE PROPERTY OF ROBINSON ENGINEERING CO. AND IS SUBJECT TO RETURN UPON DEMAND. IT SHALL BE CONSIDERED CONFIDENTIAL AND SHALL NOT BE USED IN ANY MANNER THAT IS DETRIMENTAL TO THEIR BEST INTERESTS.	ROBINSON ENGINEERING COMPANY Garland, Texas
DATE 11-29-99	ASSY REF.		
RELEASE	OUTLINE		
CUST. NO.	CRANE RADIO CONTROL		
DRAWN Scott Booker	STANDARD TOLERANCES EXCEPT AS NOTED: .XXX DECIMALS ± .010 FRACTIONS ± 1/32 .XX DECIMALS ± .020 ANGLES ± 1°	DWG. NO. 12-1769	REV.
DATE 11-29-99	ALL DIMENSIONS IN INCHES	SHEET 1 OF 1	