



## IGS-501S

5x 10/100/1000Base-T + 1x 100/1000Base-X SFP

## IGS-500

5x 10/100/1000Base-T

## IGS-800

8x 10/100/1000Base-T



These models are 5/8-port 10/100/1000Base-T Ethernet unmanaged Gigabit switches, with either 1 or 0 port 1000Base-X SFP port, that provide stable and reliable Ethernet transmission. Housed in rugged DIN rail or wall mountable enclosures, these switches are designed for harsh environments, such as industrial networking, intelligent transportation systems (ITS) and are also suitable for many military and utility market applications where environmental conditions exceed commercial product specifications (See Figure 1). Standard operating temperature range models (-10 to 60°C) and wide operating temperature range models (-40 to 75°C) fulfill the special needs of industrial automation applications.

### Features

- 5x 10/100/1000Base-T RJ-45 + 1x100/1000Base-X SFP (IGS-501S)
- 5x 10/100/1000Base-T RJ-45 (IGS-500)
- 8x 10/100/1000Base-T RJ-45 (IGS-800)
- Supports broadcast storm protection
- Supports power failure alarm message by relay
- Supports flow control
- Jumbo frame support
- Support IEEE802.3az Green Ethernet
- Supports auto-negotiation and auto-MDI/MDI-X
- Redundant dual DC input power 12/24/48VDC (9.6~60VDC)
- IP30 rugged metal housing, Fanless
- Supports DIN Rail or wall mounting installation
- Wide operating temperature -40~75°C (-E model)
- EN50121-4, CE, FCC Certification
- Heavy industrial grade EMS, EMI, EN61000-6-2, EN61000-6-4 certified

### Specifications

|  |  |
|--|--|
| <b>IEEE Standard</b>                       | IEEE 802.3 10Base-T Ethernet<br>IEEE 802.3u 100Base-TX, 100Base-FX, Fast Ethernet<br>IEEE 802.3ab 1000Base-T Gbit/s Ethernet over twisted pair<br>IEEE802.3x Flow Control<br>IEEE 802.3z 1000Base-X Gbit/s Ethernet over Fiber-Optic   |
| <b>Switch Architecture</b>                 | Back-plane (Switching Fabric):<br>12Gbps (IGS-501S) 10Gbps (IGS-500)<br>16Gbps (IGS-800)<br>Full wire-speed  |
| <b>Data Processing</b>                     | Store and Forward  |
| <b>Flow Control</b>                        | IEEE 802.3x flow control for Full duplex, back pressure for half duplex  |
| <b>Provides Broadcast Storm Protection</b> | Supported  |
| <b>Jumbo Frame</b>                         | 9.6KBytes  |
| <b>MAC Address Table</b>                   | 8K   |
| <b>Packet Buffer Size</b>                  | 128KByte   |
| <b>Network Connector</b>                   | 5 x 10/100/1000Base-T RJ-45 (IGS-500, IGS-501S)<br>8 x 10/100/1000Base-T RJ-45 (IGS-800)<br>1x 100/1000Base-X SFP connector (only for IGS-501S)<br>10/100/1000Base-TX auto negotiation speed, Auto MDI/MDI-X function, Full/Half duplex                                      |
| <b>Network Cable</b>                       | 10Base-T: 2-pair UTP/STP Cat. 5 cable<br>EIA/TIA-568 100-ohm (100m)<br>100Base-TX: 2-pair UTP/STP Cat. 5 cable<br>EIA/TIA-568 100-ohm (100m)<br>Fiber Cable (Multi-mode): 50/125um, 62.5/125um (only for IGS-501S)<br>Fiber Cable (Single-mode): 9/125um (only for IGS-501S) |
| <b>Protocols</b>                           | CSMA/CD  |
| <b>LED</b>                                 | Per unit: Power 1 (Green), Power 2 (Green), Fault (Amber)<br>Per RJ45 Link/Act 1000 (Yellow) Link/Act 10/100 (Green)<br>Fiber LED Link/Act (Green)   |
| <b>DIP SW</b>                              | DIP 1 ON : Disable<br>OFF : Enable power failure alarm<br>DIP 2 ON : Disables broadcast storm protection<br>OFF : Enable broadcast storm protection  |

| <b>DIP SW</b>                             | Green Ethernet<br>DIP 3 ON : Disable Green Ethernet<br>OFF : Enable 802.3az Green Ethernet<br>DIP 4 SFP speed (only for IGS-501S)<br>ON : 100M OFF : 1000M  |          |         |          |         |       |      |      |      |       |      |      |      |       |      |      |      |
|---|---|----------|---------|----------|---------|-------|------|------|------|-------|------|------|------|-------|------|------|------|
| <b>Reverse Polarity Protection</b>        | Supported for Power Input   |          |         |          |         |       |      |      |      |       |      |      |      |       |      |      |      |
| <b>Overload Current Protection</b>        | Supported   |          |         |          |         |       |      |      |      |       |      |      |      |       |      |      |      |
| <b>Power Supply</b>                       | Redundant Dual DC 12/24/48V (9.6~60VDC), or AC 24V (18~36VAC) Input power (Removable Terminal Block)  |          |         |          |         |       |      |      |      |       |      |      |      |       |      |      |      |
| <b>Power Consumption</b>                  | <table border="1"> <thead> <tr> <th>Input</th> <th>IGS-500</th> <th>IGS-501S</th> <th>IGS-800</th> </tr> </thead> <tbody> <tr> <td>12VDC</td> <td>3.3W</td> <td>3.9W</td> <td>7.0W</td> </tr> <tr> <td>24VDC</td> <td>3.4W</td> <td>3.9W</td> <td>7.0W</td> </tr> <tr> <td>48VDC</td> <td>4.8W</td> <td>5.3W</td> <td>8.7W</td> </tr> </tbody> </table> | Input    | IGS-500 | IGS-501S | IGS-800 | 12VDC | 3.3W | 3.9W | 7.0W | 24VDC | 3.4W | 3.9W | 7.0W | 48VDC | 4.8W | 5.3W | 8.7W |
| Input                                     | IGS-500   | IGS-501S | IGS-800 |          |         |       |      |      |      |       |      |      |      |       |      |      |      |
| 12VDC                                     | 3.3W  | 3.9W     | 7.0W    |          |         |       |      |      |      |       |      |      |      |       |      |      |      |
| 24VDC                                     | 3.4W  | 3.9W     | 7.0W    |          |         |       |      |      |      |       |      |      |      |       |      |      |      |
| 48VDC                                     | 4.8W  | 5.3W     | 8.7W    |          |         |       |      |      |      |       |      |      |      |       |      |      |      |
| <b>Alarm Relay Contact</b>                | Relay outputs with current carrying capacity of 1 A @24VDC, NC  |          |         |          |         |       |      |      |      |       |      |      |      |       |      |      |      |
| <b>Removable Terminal Block</b>           | Provides 2 redundant power, alarm relay contact, 6 Pin  |          |         |          |         |       |      |      |      |       |      |      |      |       |      |      |      |
| <b>Operating Temperature</b>              | -10°C~60°C (IGS-501S, IGS-500, IGS-800)<br>-40°C~75°C (IGS-501S-E, IGS-500-E, IGS-800-E)  |          |         |          |         |       |      |      |      |       |      |      |      |       |      |      |      |
| <b>Operating Humidity</b>                 | 5% to 95% (Non-condensing)  |          |         |          |         |       |      |      |      |       |      |      |      |       |      |      |      |
| <b>Storage Temperature</b>                | -40 ~ 85°C  |          |         |          |         |       |      |      |      |       |      |      |      |       |      |      |      |
| <b>Housing</b>                            | Rugged Metal, IP30 Protection and fanless   |          |         |          |         |       |      |      |      |       |      |      |      |       |      |      |      |
| <b>Dimensions</b>                         | 106 x 31.6 x 142 mm (D x W x H)   |          |         |          |         |       |      |      |      |       |      |      |      |       |      |      |      |
| <b>Weight</b>                             | 0.415kg (IGS-501S)<br>0.41kg (IGS-500)<br>0.44kg (IGS-800)  |          |         |          |         |       |      |      |      |       |      |      |      |       |      |      |      |
| <b>Installation Mounting</b>              | DIN Rail mounting, or wall mounting (Optional)  |          |         |          |         |       |      |      |      |       |      |      |      |       |      |      |      |
| <b>MTBF</b>                               | 1,101,374 hrs (IGS-501S)<br>1,154,166hrs (IGS-500)<br>747,984hrs (IGS-800)<br>(MIL-HDBK-217)  |          |         |          |         |       |      |      |      |       |      |      |      |       |      |      |      |
| <b>Warranty</b>                           | 5 years   |          |         |          |         |       |      |      |      |       |      |      |      |       |      |      |      |
| <b>Certification</b>                      |   |          |         |          |         |       |      |      |      |       |      |      |      |       |      |      |      |
| <b>EMC/EMS</b>                            | CE  |          |         |          |         |       |      |      |      |       |      |      |      |       |      |      |      |
| <b>EMI (Electromagnetic Interference)</b> | FCC Part 15 Subpart B Class A, CE   |          |         |          |         |       |      |      |      |       |      |      |      |       |      |      |      |
| <b>Railway Traffic</b>                    | EN50121-4   |          |         |          |         |       |      |      |      |       |      |      |      |       |      |      |      |

|  |  |
|--|--|
| <b>Immunity for Heavy Industrial Environment</b>             | EN61000-6-2  |
| <b>Emission for Heavy Industrial Environment</b>             | EN61000-6-4  |
| <b>EMS (Electromagnetic Susceptibility) Protection Level</b> | EN61000-4-2 (ESD) Level 3, Criteria B<br>EN61000-4-3 (RS) Level 3, Criteria A<br>EN61000-4-4 (Burst) Level 3, Criteria A |

|  |  |
|--|--|
| <b>EMS (Electromagnetic Susceptibility) Protection Level</b> | EN61000-4-5 (Surge) Level 3, Criteria B<br>EN61000-4-6 (CS) Level 3, Criteria A<br>EN61000-4-8 (PFMF, Magnetic Field) Field Strength: 300A/m, Criteria A |
| <b>Shock</b>   | IEC 60068-2-27   |
| <b>Freefall</b>  | IEC 60068-2-32   |
| <b>Vibration</b>   | IEC 60068-2-6  |

## Application

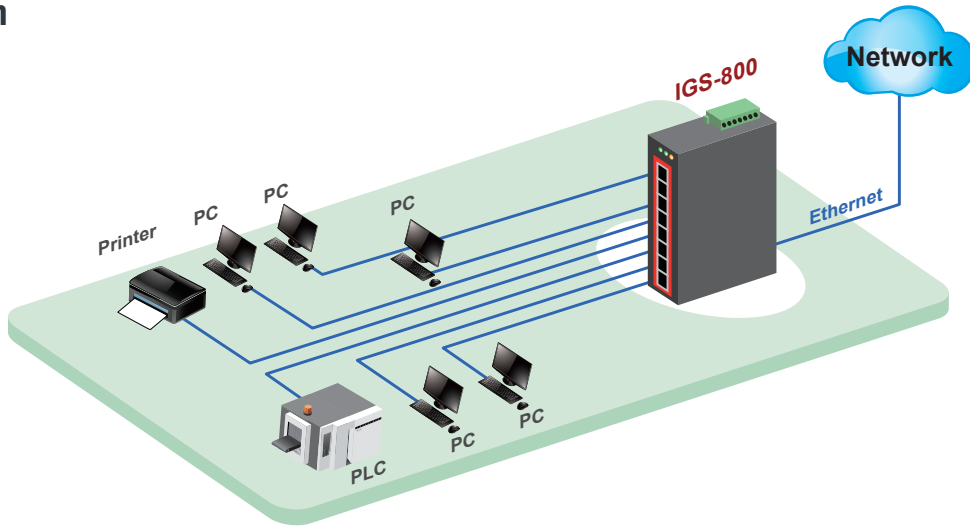
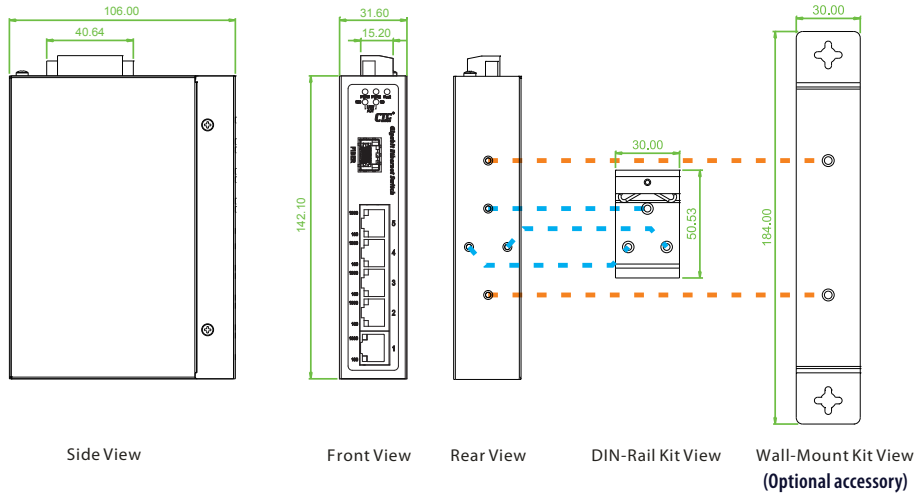


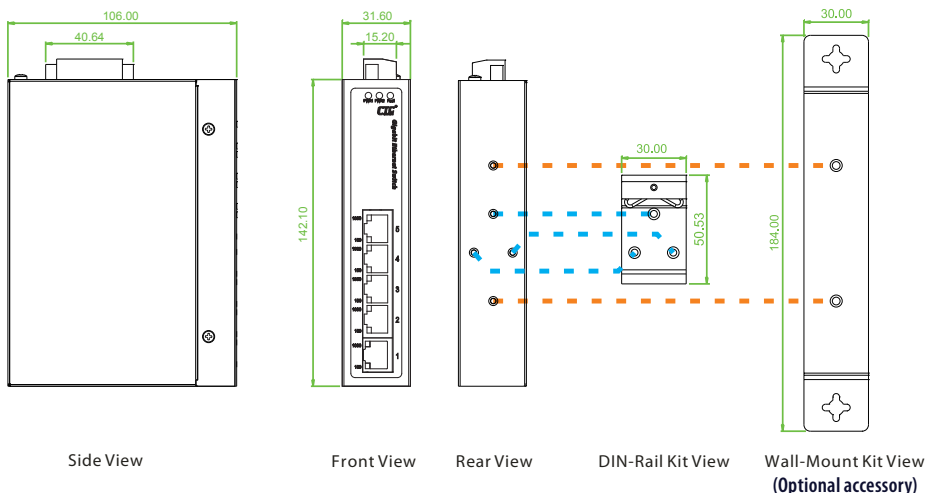
Figure 1 : IGS-800 Gigabit Ethernet Switch Transmission

## Dimensions

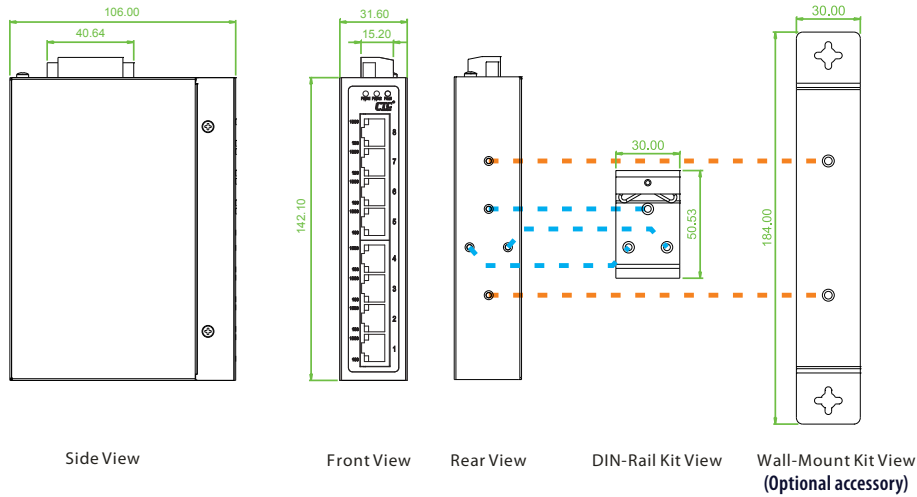
### ► IGS-501S



### ► IGS-500



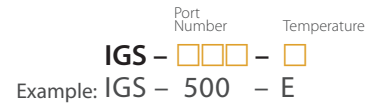
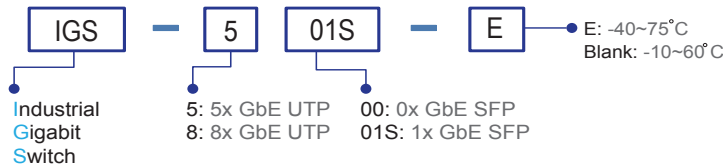
▶ IGS-800



**Ordering Information**

| Model Name | Total Port | RJ45 UTP port      | Fiber Port     | Power Input | Certification     |                         |    |     | Operating Temperature |
|------------|------------|--------------------|----------------|-------------|-------------------|-------------------------|----|-----|-----------------------|
|            |            | 10/100/1000 Base-T | 100/1000Base-X | Redundant   | Railway EN50121-4 | EN61000-6-2 EN61000-6-4 | CE | FCC |                       |
| IGS-501S   | 6          | 5                  | 1x SFP         | 12/24/48VDC | V                 | V                       | V  | V   | -10~60°C              |
| IGS-501S-E | 6          | 5                  | 1x SFP         | 12/24/48VDC | V                 | V                       | V  | V   | -40~75°C              |
| IGS-500    | 5          | 5                  |                | 12/24/48VDC | V                 | V                       | V  | V   | -10~60°C              |
| IGS-500-E  | 5          | 5                  |                | 12/24/48VDC | V                 | V                       | V  | V   | -40~75°C              |
| IGS-800    | 8          | 8                  |                | 12/24/48VDC | V                 | V                       | V  | V   | -10~60°C              |
| IGS-800-E  | 8          | 8                  |                | 12/24/48VDC | V                 | V                       | V  | V   | -40~75°C              |

**Model Naming Rule**



**Optional Accessories**

**Wall mount kit accessories**

|           |  |
|-----------|--|
| IND-WMK01 | Wall Mount kit for Industrial product (184 x 30mm) |
|-----------|--|

**Industrial SFP Transceiver**

The ISFP series of industrial grade SFP modules have been fully tested with the IGS-501S product for guaranteed compatibility and performance. The best performance can be guaranteed even in mission-critical applications. (Please see CTC Union's Industrial SFP datasheet for more details and more items.)

|                   |   |
|-------------------|---|
| ISFP-M7000-85-(E) | Industrial SFP GbE 1000Base-SX, M/M, 500 meter, wave length 850nm, 7.5dB, LC, -10~70°C (-40~85°C) |
| ISFP-S7020-31-(E) | Industrial SFP 1000Base-LX, S/M, 20km, wave length 1310nm, 15dB, LC, -10~70°C (-40~85°C)          |
| ISFP-T7T00-00-(E) | Industrial SFP 1000Base-T UTP 100meter, -10~70°C (-40~85°C)                                       |
| ISFP-M5002-31-(E) | Industrial SFP 155M 100Base-FX, MM, 2km, wave length 1310nm, 12dB, LC, -10~70°C (-40~85°C)        |
| ISFP-S5030-31-(E) | Industrial SFP 155M 100Base-FX, SM, 30km, 1310nm, 19dB, LC, -10~70°C (-40~85°C)                   |

**Package List**

- One device of the series
- Protective caps for SFP ports (for IGS-501S)
- Quickly installation guide
- Din Rail with screws
- Terminal block

**SFP Naming Rule**

