

MC-FXO-2 & MC-FXS-2



【Product introduction】

MC-FXO-2 and MC-FXS-2 are 2CH POTS over fiber converters using the most advanced digital multiplexing communications solutions and fiber optic transmission technology, which can transmit analog and PSTN telephones and Ethernet data signals on a single fiber in real-time synchronization, no distortion, high quality. Plug and play design makes installation easy, no need for field settings and adjustment. Please use FXO unit as a transmitter to connect with PBX analog phone lines and use FXS unit as a receiver to link with your telephone sets or fax machines. Two year standard warranty.

【Package List】

2 Channel POTS Converter: 1 pair (2 units)
 UL AC to DC External power adapter: 2 pieces
 User manual: 1 copy

【Product Features】

- All-digital uncompressed transmission
- PCM Pulse Code Modulation
- Clear voice quality, stable and reliable calls
- Support FXO/FXS POTS, FAX, etc.
- Network, fiber and pots link LED's show the status.
- Low power consumption, low heat, stable operation.
- Signal and power surge protection
- Industrial grade design -30°C ~ +75°C
- Support caller ID/Fax and hot swap

【Technical Parameters】

- Telephone channel: 2
- Phone Connector: 2 x RJ11 Jack

- Fast Ethernet Port: 1
- Maximum Bandwidth: 50Mbps
- Ethernet Connector: RJ45
- Voice bandwidth: 8kHz
- Distortion: <1%
- Signal to Noise Ratio: >95db

FXS Telephone Mode

- Ring Voltage: 75V
- Ring Frequency: 25Hz
- Input impedance: 200 - 600Ω
- Return Loss: 40db
- Insertion Loss: -3±0.75dB
- Frequency characteristics: 300~3400Hz(-0.6~+3dB)
- Crosstalk attenuation: ≥65dB

FXO Switch Mode

- Ring detection voltage: 35V
- Ring detection frequency: 17Hz - 60Hz
- Input impedance: 600Ω
- Return Loss: 40dB

Optical Interface

- Bit rate: 155Mbps±20ppm
- Line code: NRZ+ Scrambler
- Wavelength: 850nm, 1310nm, 1550nm
- WDM 1310Tx/1550Rx (type A)
- 1550Tx/1310Rx (type B)
- Transmit optical power: >-12dBm
- Receiver sensitivity: <-30dBm
- Fiber connector: FC

【Environmental Requirements】

- Operating Temperature: -30°C ~ +75°C
- Dimensions: 105x92x25mm (DxWxH)
- Relative humidity: 0~95% (Non condensing)
- Power Input: AC100-240V to DC12V 2A
- MTBF: ≥100000h
- Power Consumption: ≤5W

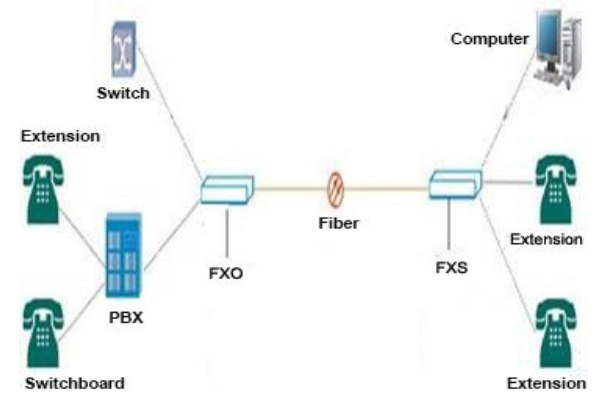
【LED Indicators】

Name	LED Indications	Status Descriptions
LINK	ON & Flashing	Network connected
	OFF	Network not connected
SYN	OFF	Fiber doesn't pass
	ON & Flashing	Fiber Link OK
P1-P2	ON Bright	Telephone line connected
	OFF	Telephone line not connected
	Slow Flashing	During call or Off hook
	Flashing	Telephone Ringing

【Applications】

- ◆ Metro optical broadband network: Telecommunications, network System integration and other data network operators.
- ◆ Communications professional network: Applies to finance, government, oil, railway, electricity, public security, transportation, education and other industry professionals network.
- ◆ Multimedia transmission: Voice, data and integrated transmission.
- ◆ Resistance to harsh environments: Applicable to strong electromagnetic interference, long-distance network under harsh environments.

【Connection Diagram】



Ordering Information:

- MC-FXO-2-FC02A and MC-FXS-2-FC02B: Use one multi-mode fiber, FC and WDM transmission up to 2Km and one Fast Ethernet Port.
- MC-FXO-2-FC20A and MC-FXS-2-FC20B: Use one single mode fiber, FC and WDM transmission up to 20Km and one Fast Ethernet Port.

NOTE:

Other 40Km, 60Km, 80Km, 100Km or 120Km converters are available upon customer's request

Megatel Industries Corporation

664 Wagner Court
 North Wales, PA 19454
 USA

Tel: 1-610-239-8812
 Fax: 1-215-699-3348

Email: Support@megatelindustries.com
www.megatelindustries.com