

HardCabs

A DFK AMERICA COMPANY

INSTALLATION INSTRUCTIONS

CF MOTO **UFORCE 800EX**



SAFETY INSTRUCTIONS

Warning: Failure to heed all safety and operating instructions and warnings regarding use of this product can result in serious bodily injury.

READ PROPERLY COMPLETE ASSEMBLY INSTRUCTIONS BEFORE STARTING OF ASSEMBLY

Install all parts indicated in assembly instructions. Failure to fully assemble product before use could result in personal injury.

Assembly of product requires use of hand or power tools. If you are not experienced in using these types of tools, have product dealer do the install for you.

Some parts contain sharp edges, wear protective gloves if necessary.

Always keep your assembly area clean, uncluttered and well lit.

Keep visitors and children a safe distance away from the assembly area. Visitors should wear the same safety equipment described under.

Never operate your UTV with the cab doors open. Failure to properly latch the doors before moving the vehicle could result in serious injury.

Dress for safety. DO NOT wear loose clothing, gloves, neckties or jewelry if using power tools to assemble this product.

Insert all nut covers after you finish installation.

Never drive your UTV with the cab front window in open position. Failure of improperly latched/locked front window before driving the vehicle could result in serious injury.

Please be careful to not break the plastic washers, if you are tightening screws with plastic washers use maximal power 3,7 foot-pound force (5 Nm)!!!

WARNING: For safety purposes, if the DFK Cab doors are removed, it is mandatory that the OEM manufactured Half Doors or Nets are **REINSTALLED** before operating the vehicle.

MAINTENANCE AND CLEANING

To clean polycarbonate surface use soapy water solution or other subtle means.

Dirt and dust wash by gently water stream and swipe only with wet or damp means in the direction from top to bottom.

The recommended frequency of cleaning of polycarbonate part is about 1 time per month or according to the actual degree of pollution.

*Do not use detergents that could scratch the surface plates.
(abrasives, harsh fabrics, etc.)*

*Do not use solvents or alkaline detergents or cleaners with ammonia
(ammonium hydroxide).*

Do not remove the impurities from the surface of the razor blades or other sharp items.

Do not clean cabine, when the polycarbonate plates are heated by the sun.

Do not use the squeegee, it could be scratched surface plates.

Do not clean the water current strength greater than 50 bar (WAP)

The manufacturer is not responsible for scratching the surface in case of failure to comply with the above instructions.

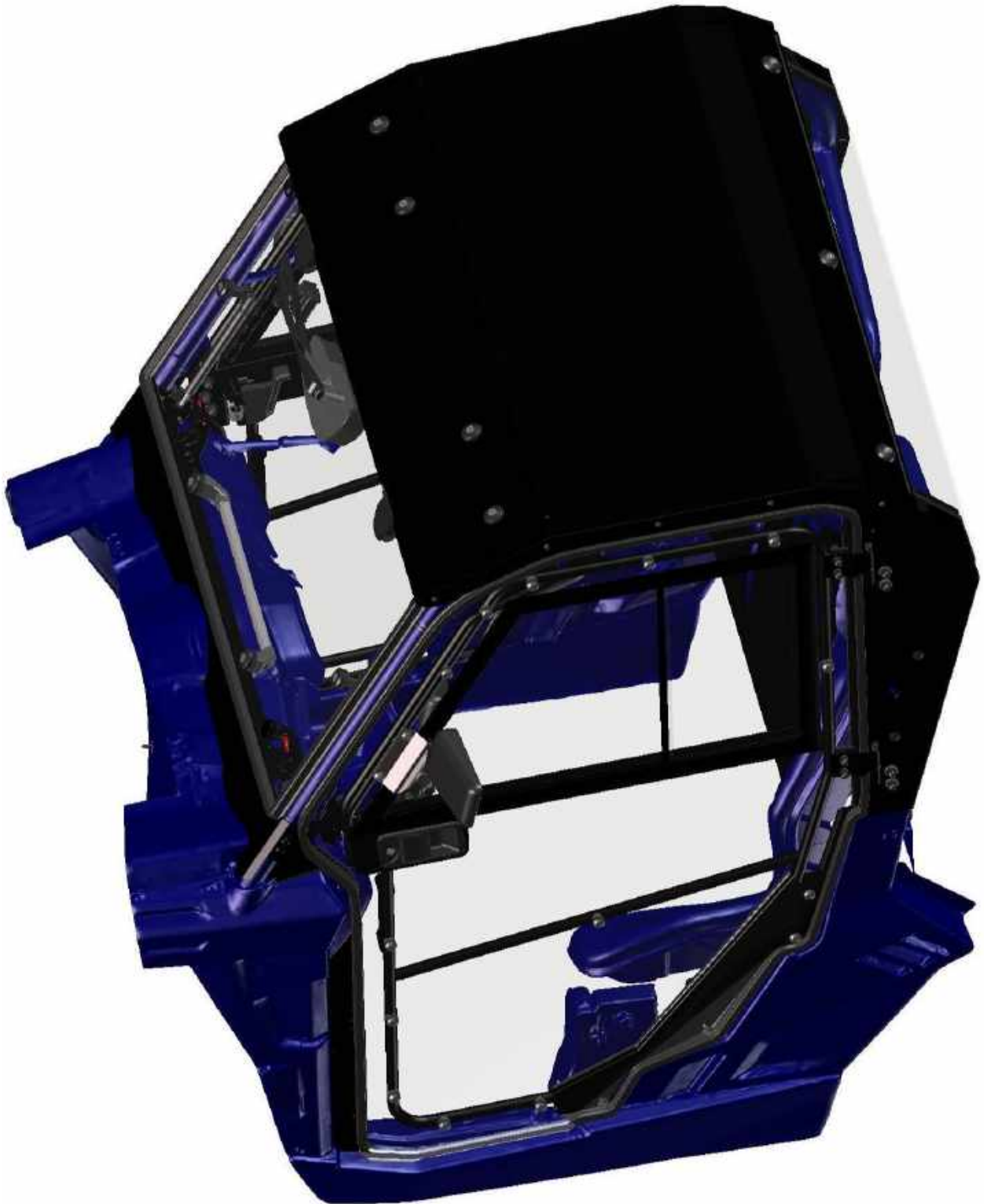
All bolted connections of cab must be by user at regular intervals checked and tightened.

Please by carefull to not broken the plastic washers, if you tightening screws with plastic washers use maximal power 3,7 foot-pound force (5 Nm)!!!

PREPARATION FOR INSTALLATION:

Uninstall all additional systems from the roller cages (work lights, rear mirrors, drink holders etc.)

[CAB PREVIEW](#)



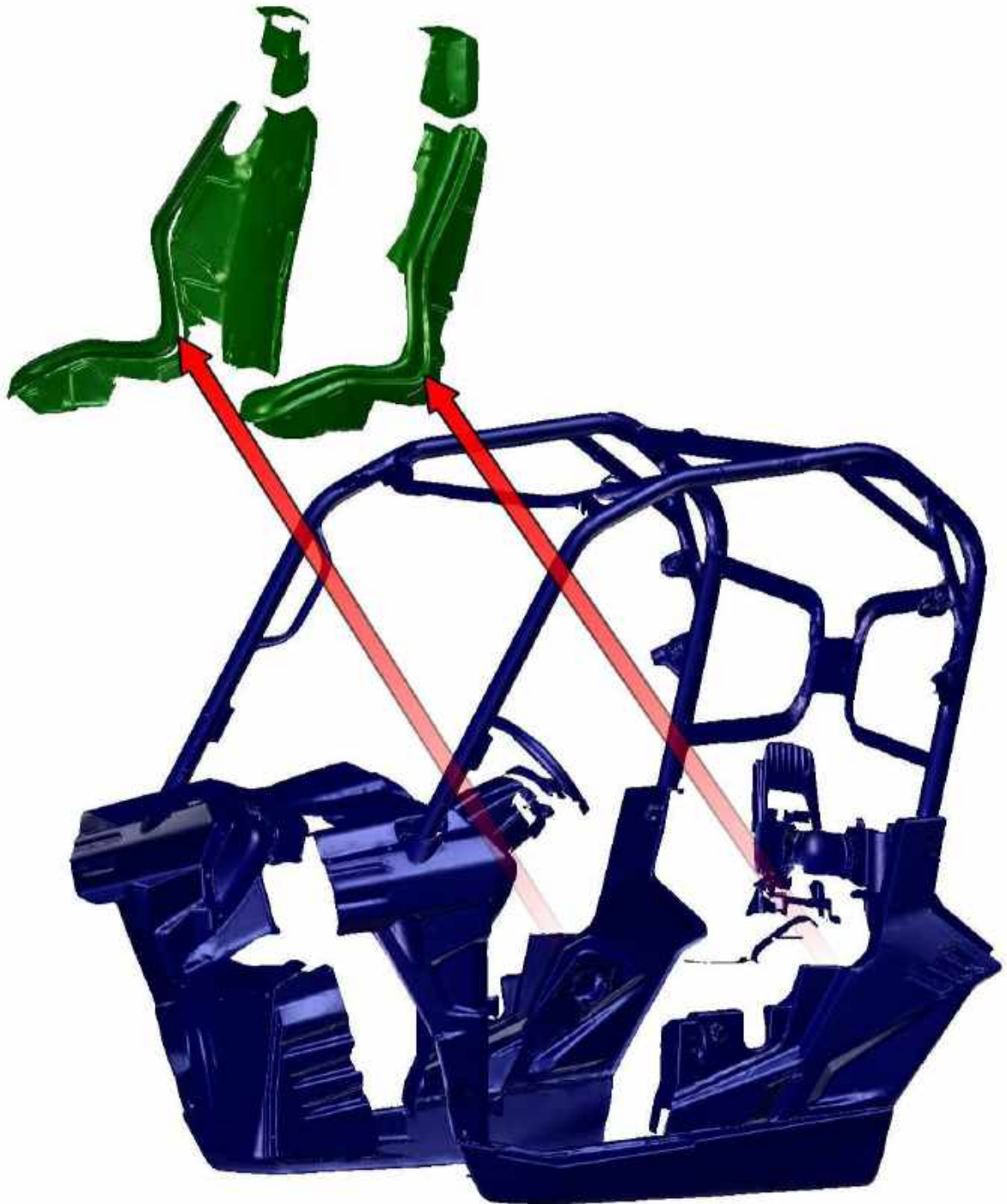
4

Uninstall safety side ledge from UTV roller cage on both sides.



5

Uninstall the seats from the UTV cab.

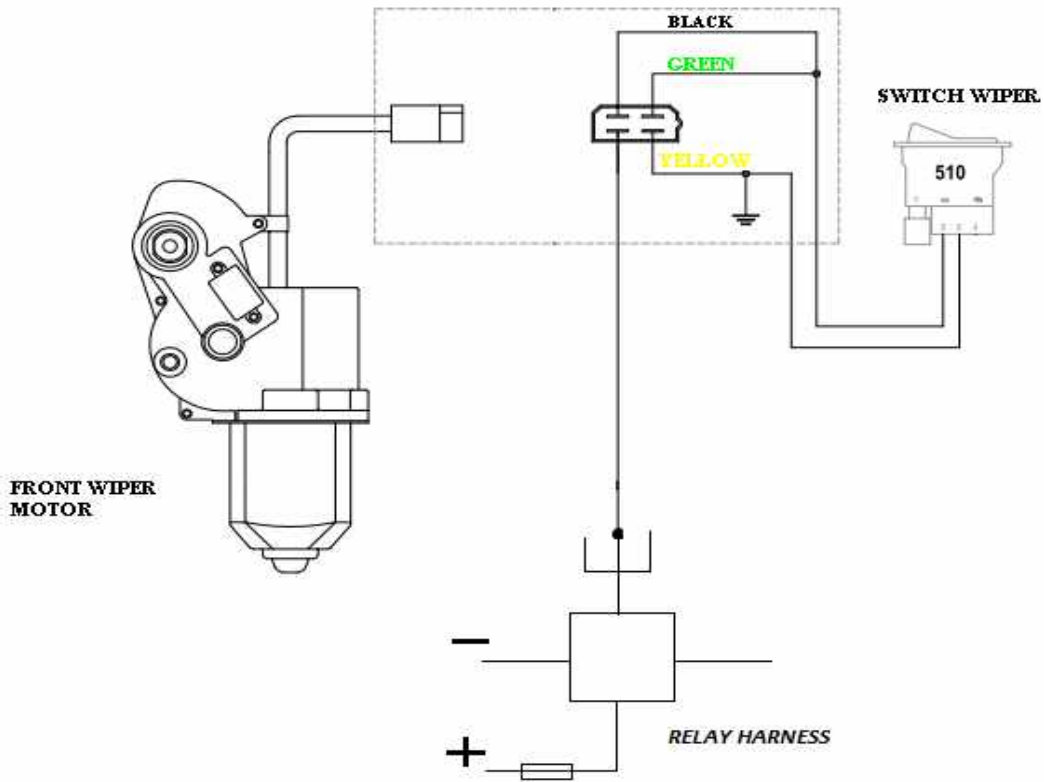


6

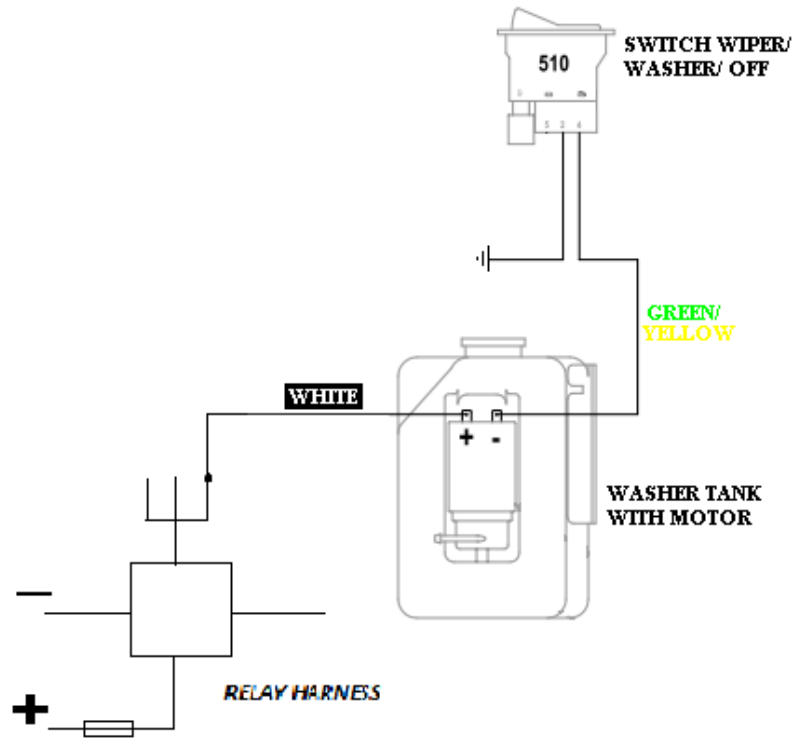
ELECTROINSTALLATION 1.

Overall wiring diagrams

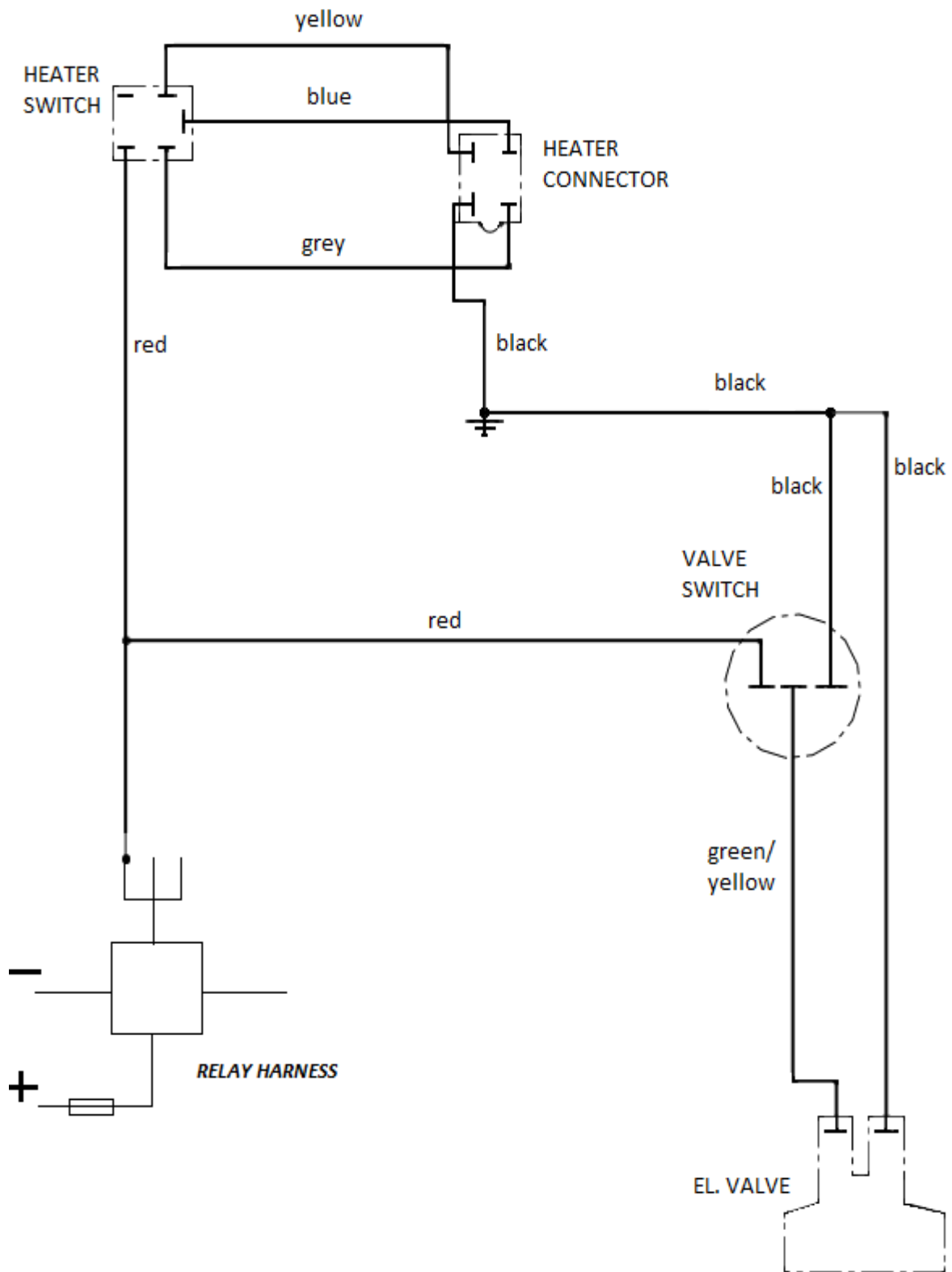
Wiper harness



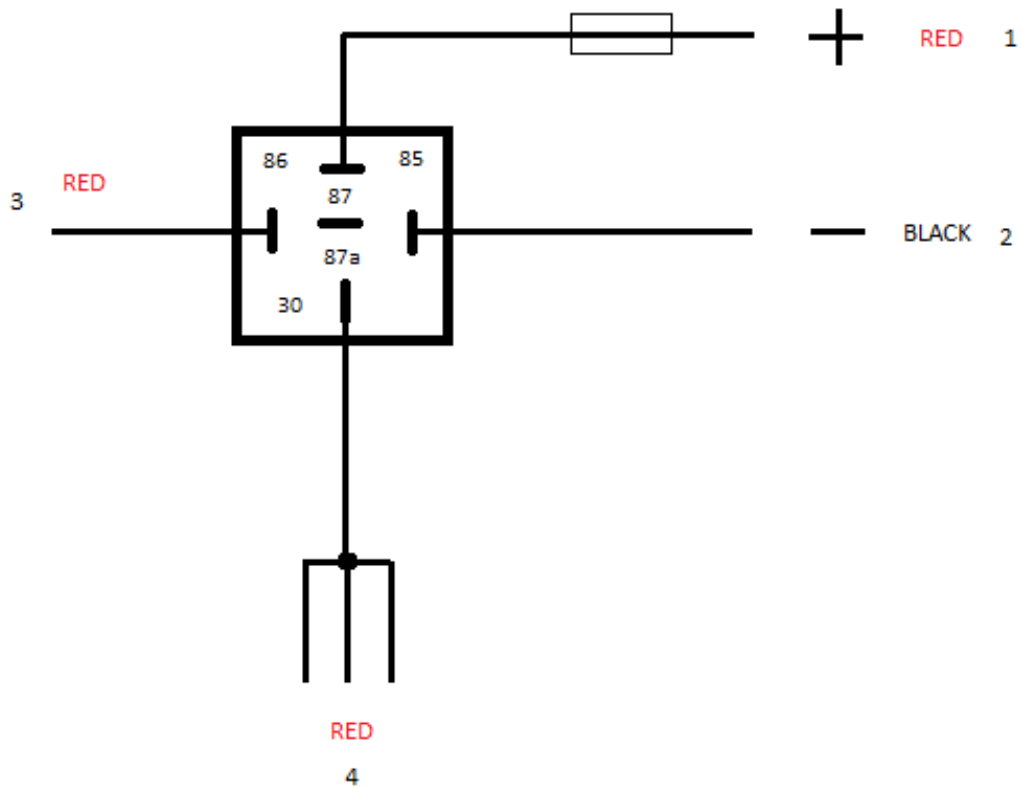
Washer harness



Heater harness



Relay harness



WIPER/WASHER 1.
Need to installation (included)





Uninstall the floor tunnel cover.



Drill hole $\varnothing 8\text{mm}$ (0,33-0,38in) into the plastic wall and install the washer tank holder “ Ω ” (green circle) by included screw, washers and nut. Drill hole $\varnothing 16\text{mm}$ (0,66-0,7in) into the case plastic wall (red circle).



Lead the washer harness through the hole from previous step and install the washer tank onto the holder.



Run the washer harness to the front dashboard inner space near the original harness.



Uninstall the front dashboard cover. Insert the wiper harness into this space.



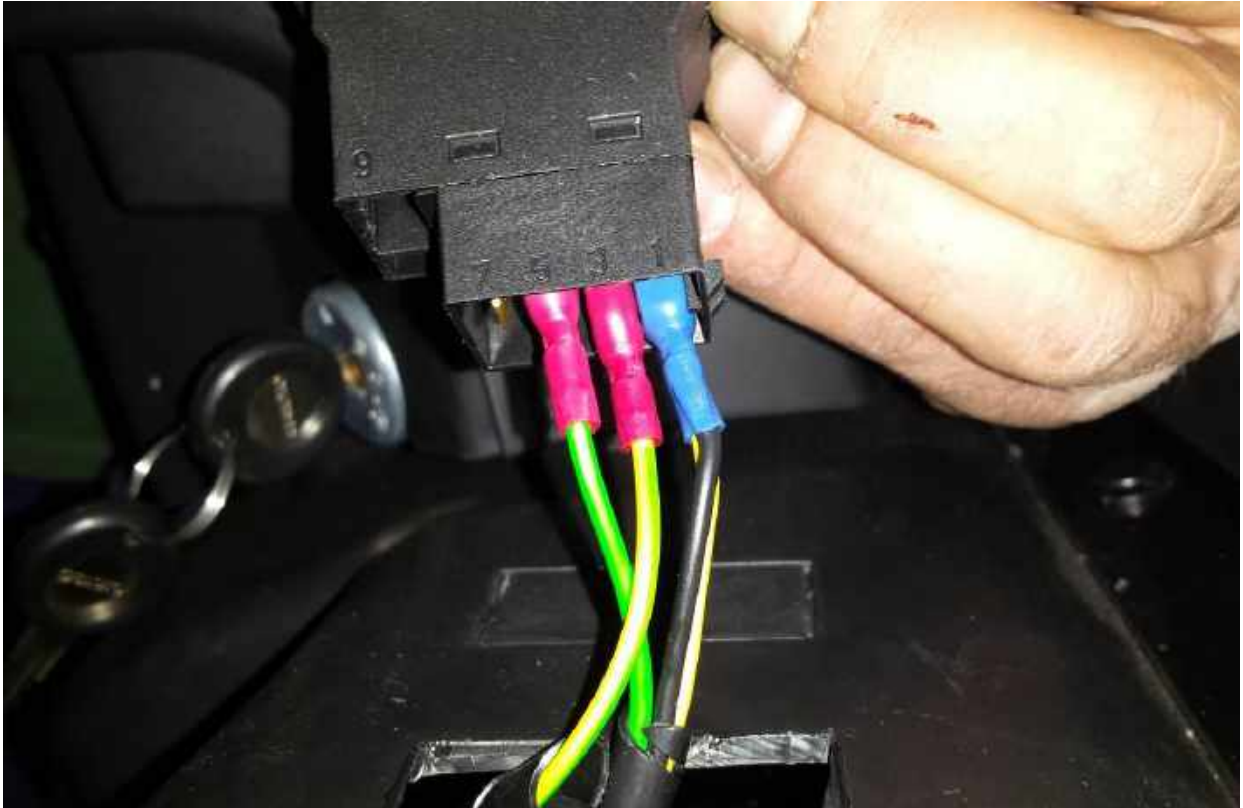
14

Install the wiper/washer switch into the dashboard, if you don't have original hole, cut the rectangle 44,1x22,1mm into the dashboard into the best position.



15

Run the wiper harness from the front battery space through the switch hole.
Connect the wiper and the washer harnesses with the switch and press the switch into the dashboard.



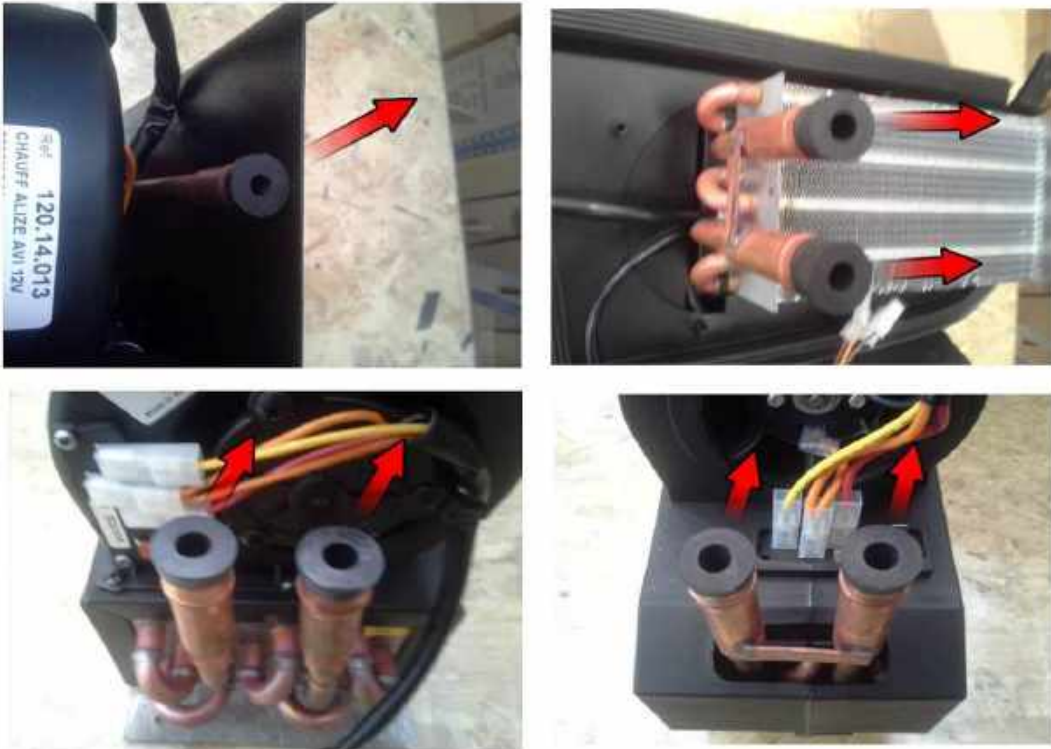
Run the washer hose and wiper harness under the dashboard to the right side.
Run the wiper harness and washer hose through the space between the dashboard and UTV rollercage.



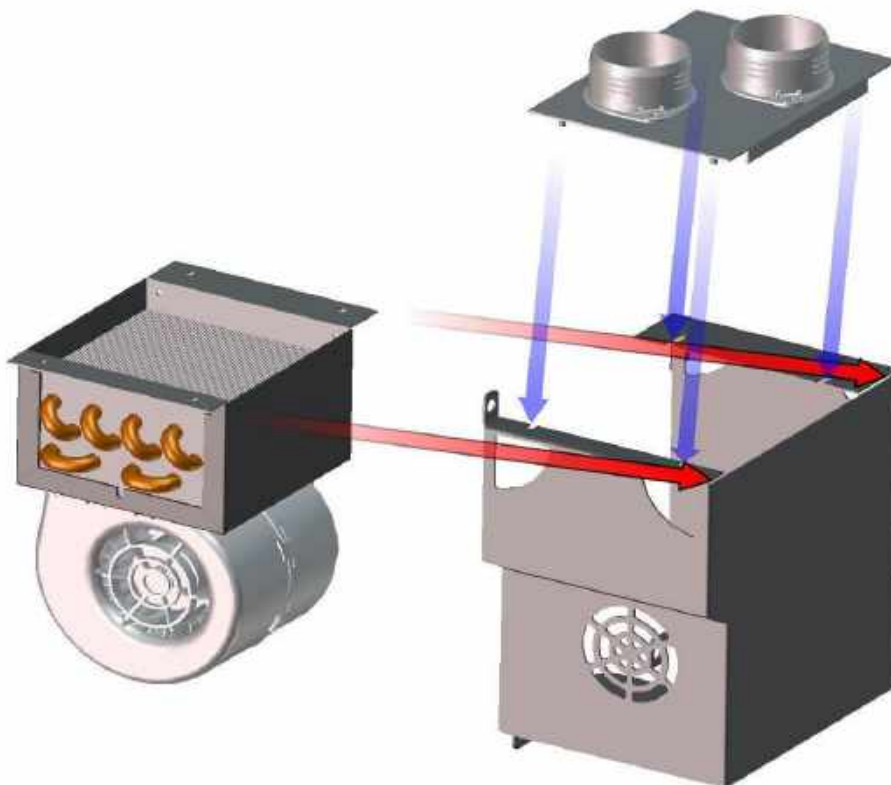
Before first usage fill the washer tank with the washer liquid.

HEATER

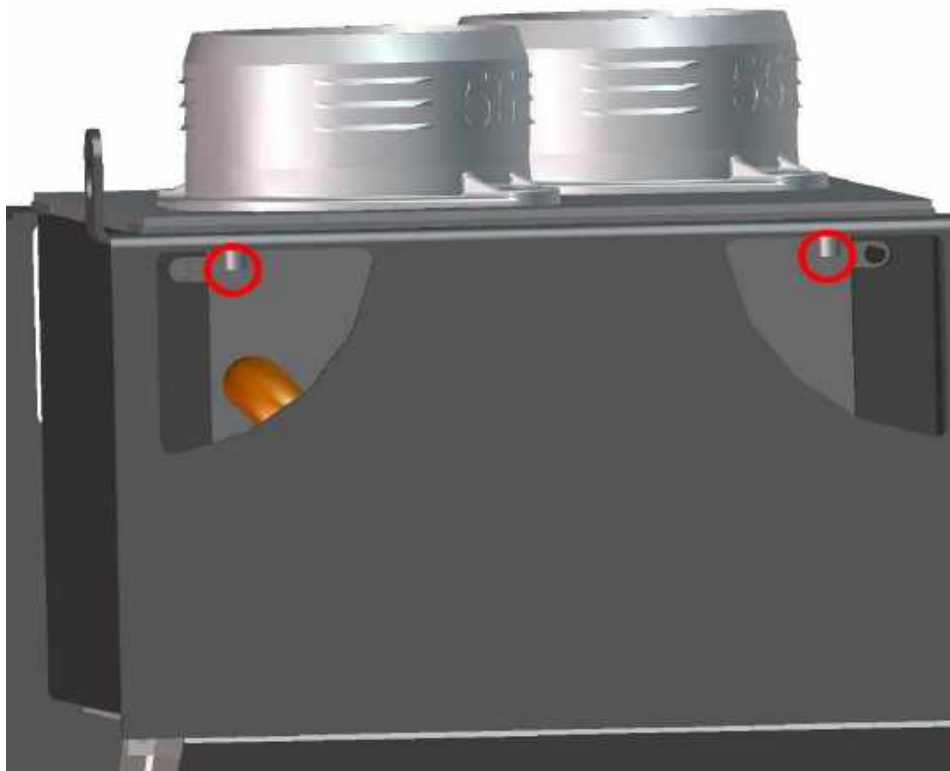
TAKE OUT THE RUBBER PLUGS FROM HEATER TUBES.



Install the heater assembly into the heater holder.



Fix the heater assembly with the heater holder by included nuts and washers.



Install the air hoses PVC onto the heater air tubes and fix by included aluminium tape.



Place the heater onto the inner front wall and adjust that into the best position. Make marks onto the inner front wall in accordance heater holder holes. Take out the heater assembly and drill holes $\varnothing 9\text{mm}$ into the marks centers.



Make marks onto the inner front wall in accordance with the heater holder as shown.



Drill 2 holes $\varnothing 25\text{mm}$ into the inner front wall in accordance with the marks from previous step.



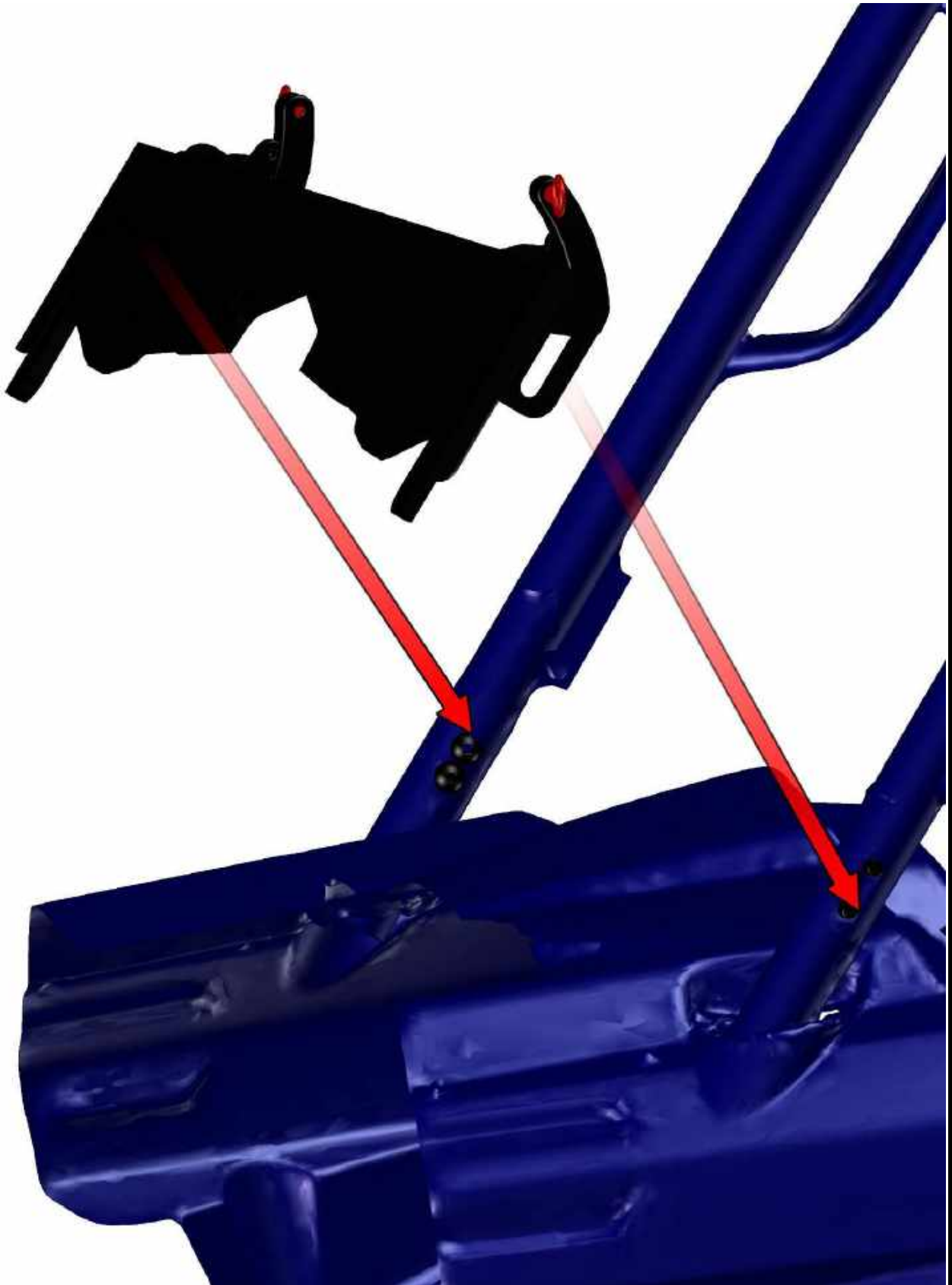
Cut 2 holes $\varnothing 50\text{mm}$ into the bottom part of the dashboard as close to the inner front wall as possible.



DETAILED VIEW



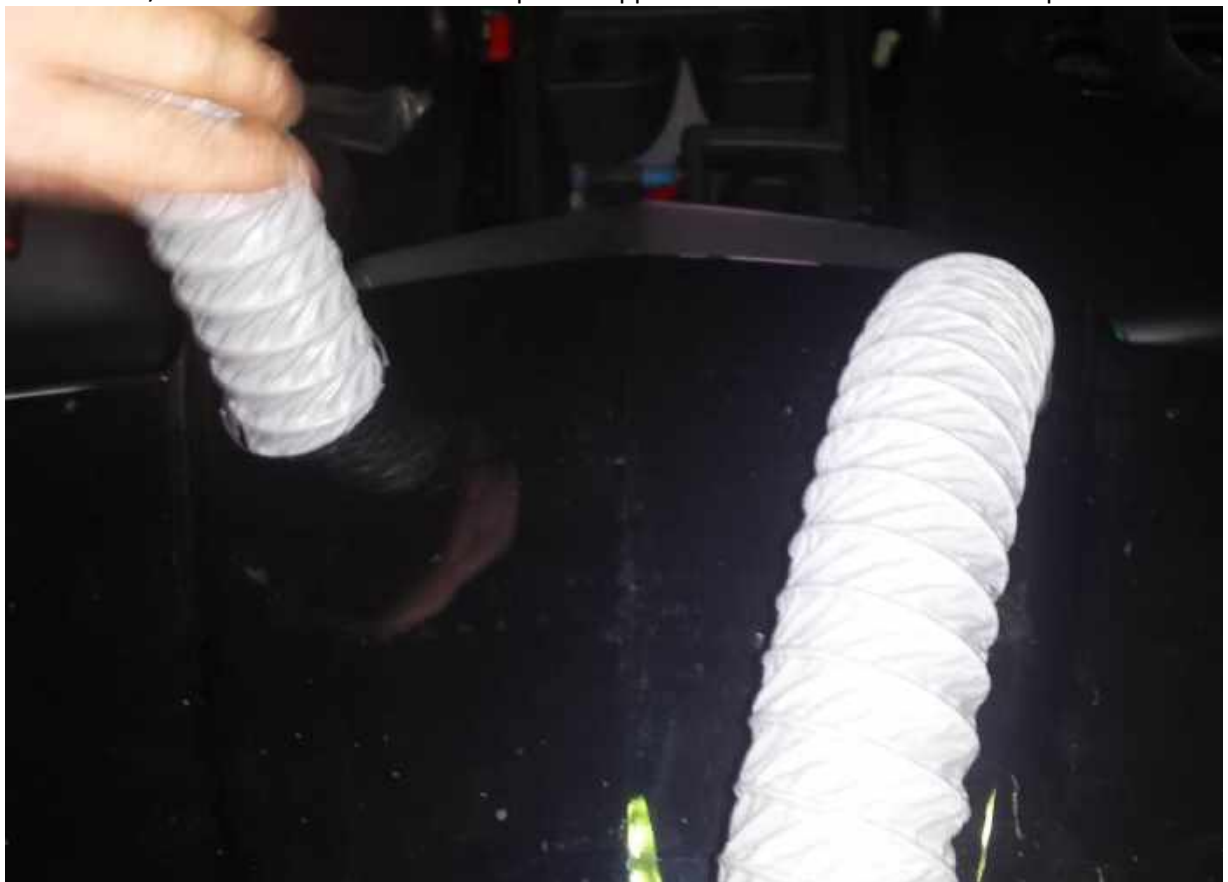
Place the front bottom ledge assembly onto the UTV rollerage. Make marks on the upper dashboard cover to fit the air vents.



DETAILED VIEW



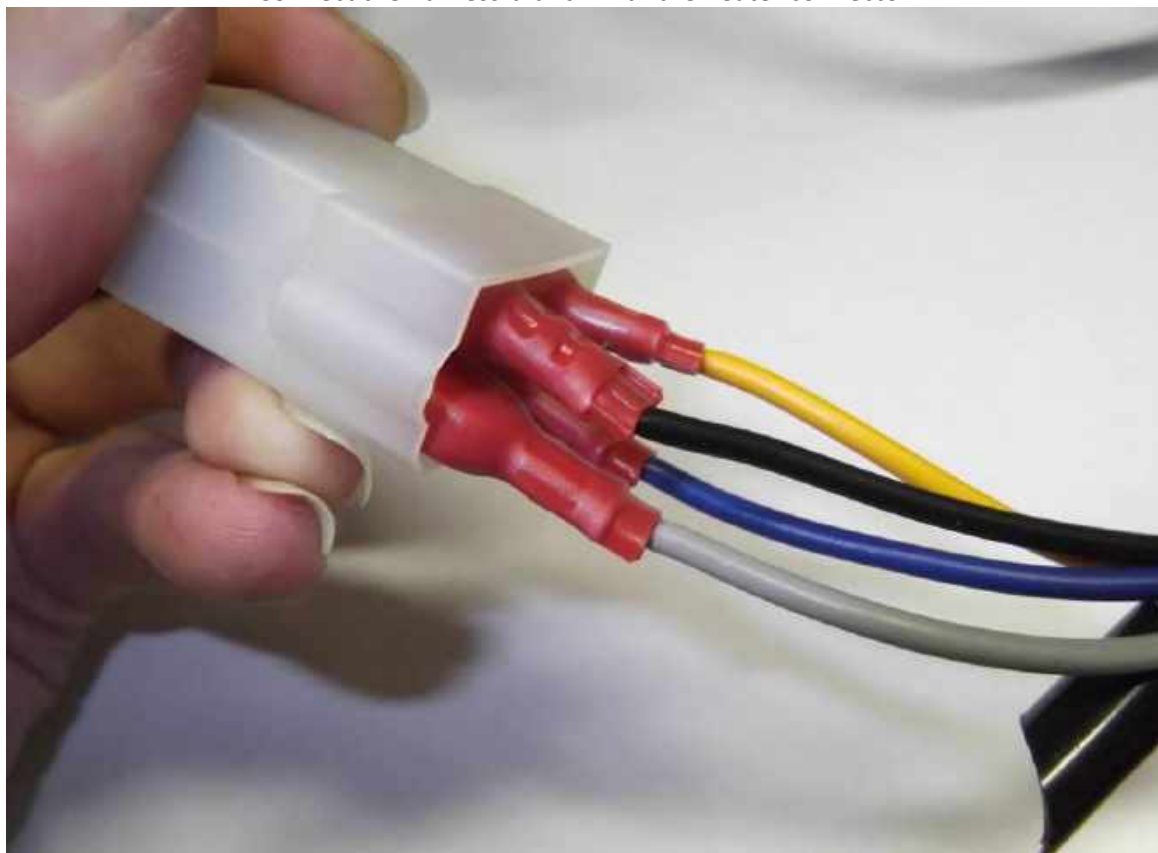
Cut 2 Ø50mm holes into the middle part of upper dashboard cover into the best position.



Connect the bended hoses with the heater tubes and fix by tightening straps.



Connect the harness branch with the heater connector.



Insert the bended hoses and air hoses PVC into the prepared holes.
Run the heater harness alongside with the air hoses PVC.



Run the air hoses through the prepared holes in the upper dashboard cover. Cut the hoses to best fit.



Install the air vents into the air hoses and fix by included aluminium tape. Press the air vent into the upper dashboard cover.



SEE NEXT PAGES

Connect the harness branch with the el. Valve
Cut the original engine cooling system hoses and insert "Y" couplings. Install the heater hose onto the right "Y" coupling. Fix the hoses with the coupling by tightening straps.



27

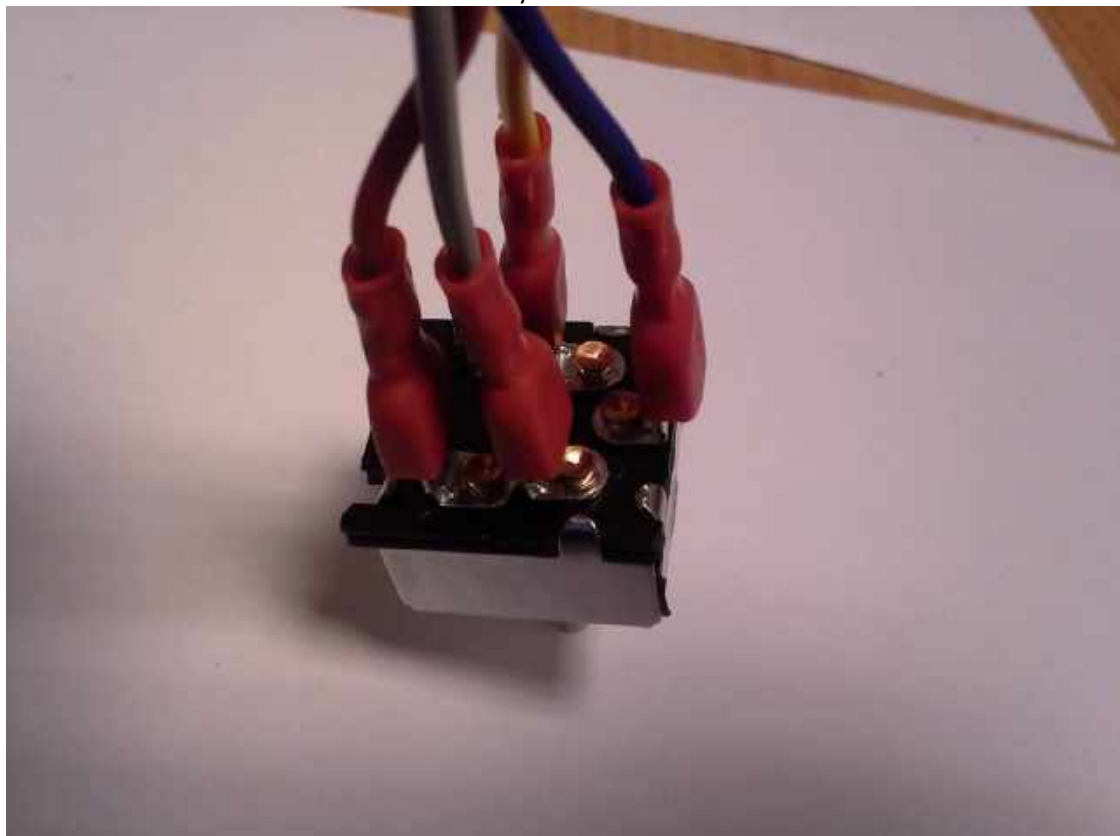
Install the el. valve onto the remaining heater hose and fix by tightening strap. Connect the el. valve with the left "Y" coupling by short piece of heater hose and fix by thightening strap.



Drill 1 hole \varnothing 11,5-14mm (0,45-0,55 in) and 2 holes \varnothing 2,5-4 mm (0,1- 0,16 in) into the dashboard in accordance with the heater switch base.



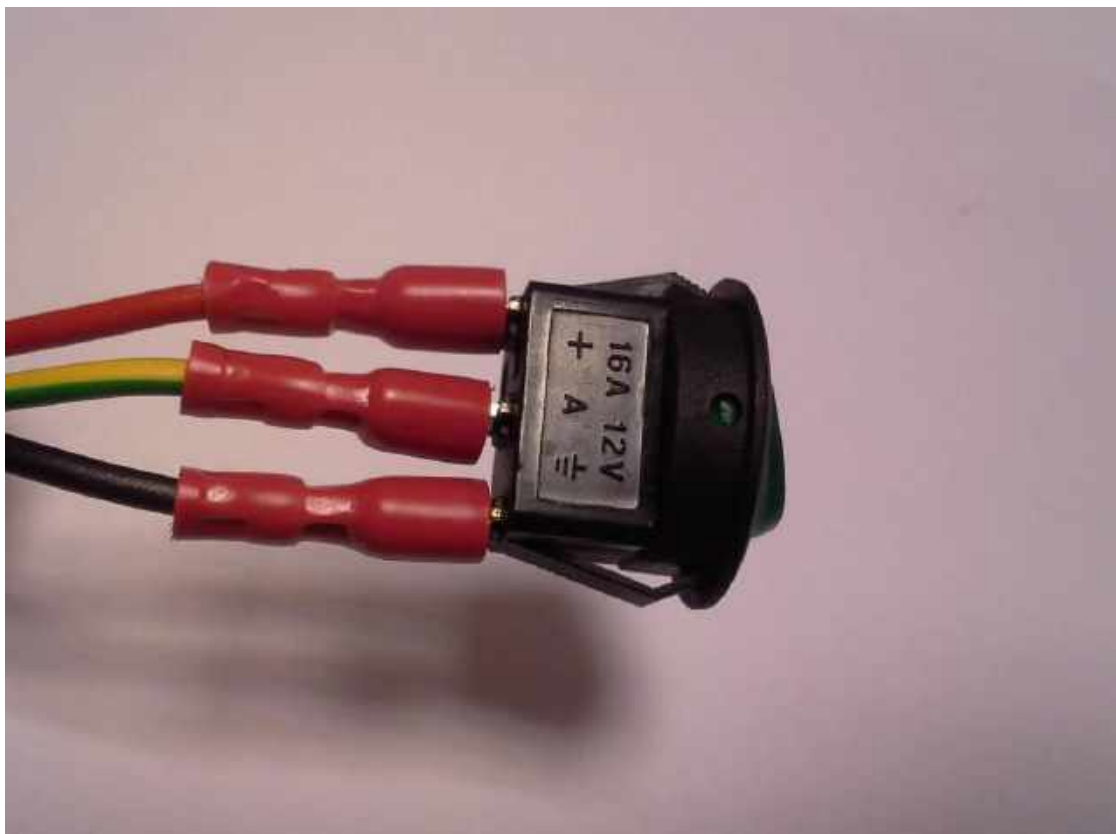
Connect the heater switch body with the harness branch. Detail view.



Drill the hole $\varnothing 21$ mm into the dashboard for the el.valve. Place the selfglued stick onto the dashboard.



Connect the harness branch with the switch. Detail of connection.



Press the el. valve switch into the hole.
Install the heater switch body from inner side into the hole. Install the switch base and switch head onto the switch body.



Connect the relay harness to the original electroinstallation (detailed view).



Pull up the this original electroinstallation block.



Cut the yellow wire from the original harness and connect that with the relay harness.



Connect the heater, washer and wiper harness with the relay harness.
Connect the black wires from the harnesses to the original electroinstallation “-”.

It is absolutely necessary to bleed the air out of the UTV's engine cooling system. Incomplete bleeding of cooling system can result in engine damage. If you don't have sufficient experience with this process, we strongly recommend professional service technician assistance. We are not responsible for damages when cooling system bled incompletely. Please note that additional heater system will absorb more than 2 liters of coolant fluid.

- 1. Important: After the heater system installed check the system for leaks. Turn on the electric vent switch and confirm that the engine is cold. Start the engine and wait until engine warms up.***

Important: Always check engine temperature – if it overheats turn off engine.

- 2. To achieve engine operating temperature depress the accelerator to increase the engine RPM. This will increase the pressure and flow of the water pump forcing more coolant through the heater. After operating temperature reaches turn off engine and open it. Trapped air should come out from heater system throughout cooler. Repeat this procedure until heater/cooling system is completely bled out. Fill the cooling liquid into the cooler very carefully.***

COOLER CAP IS HOT, USE GLOVES

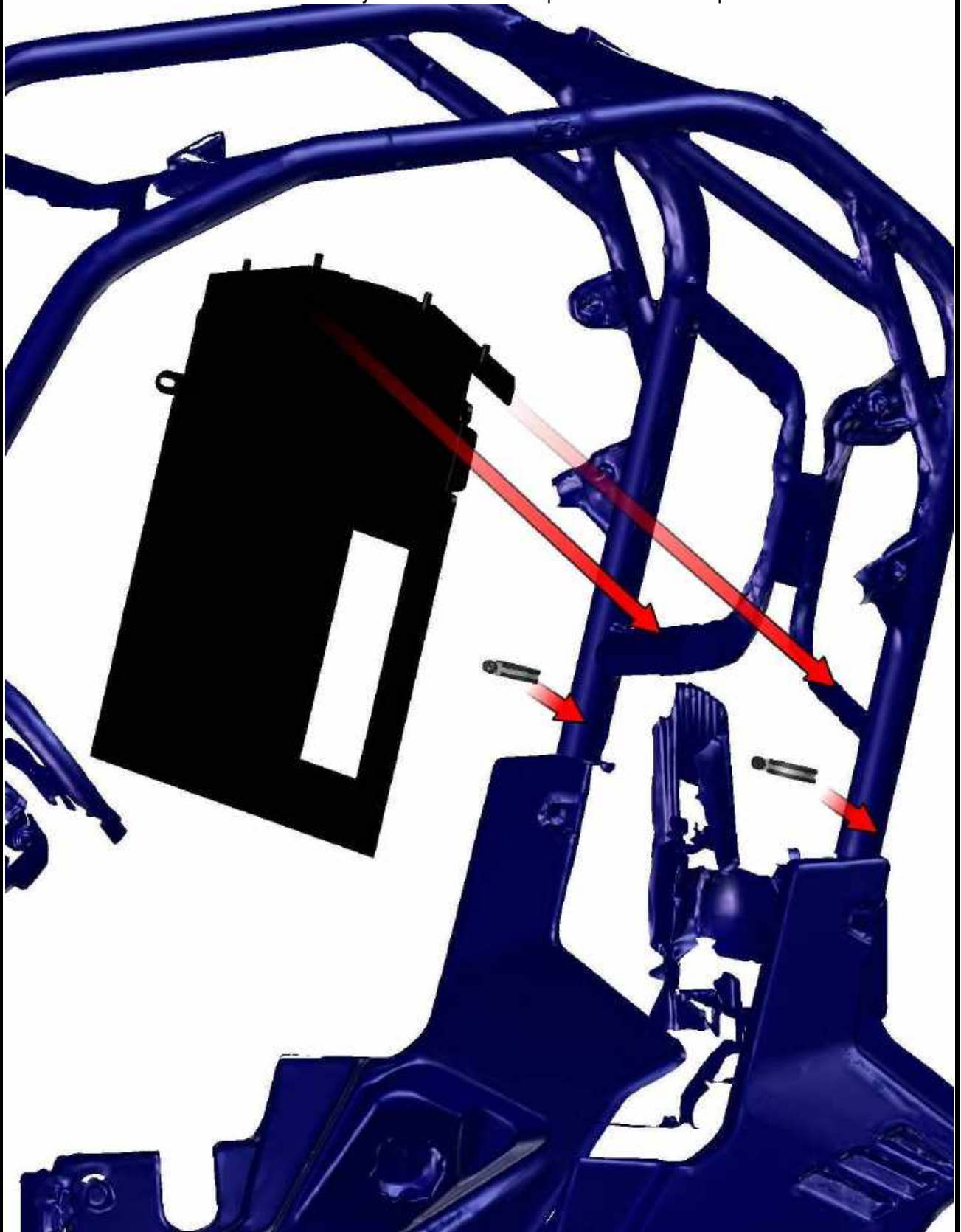
The DFK Cab heater, like the heater in a car, generates heat from the vehicle's engine.

In nearly all cases, the heater should generate enough heat from your UTV, side by side, or tractor engine that you may need to turn the heater off periodically otherwise the air in the cabin may be too hot.

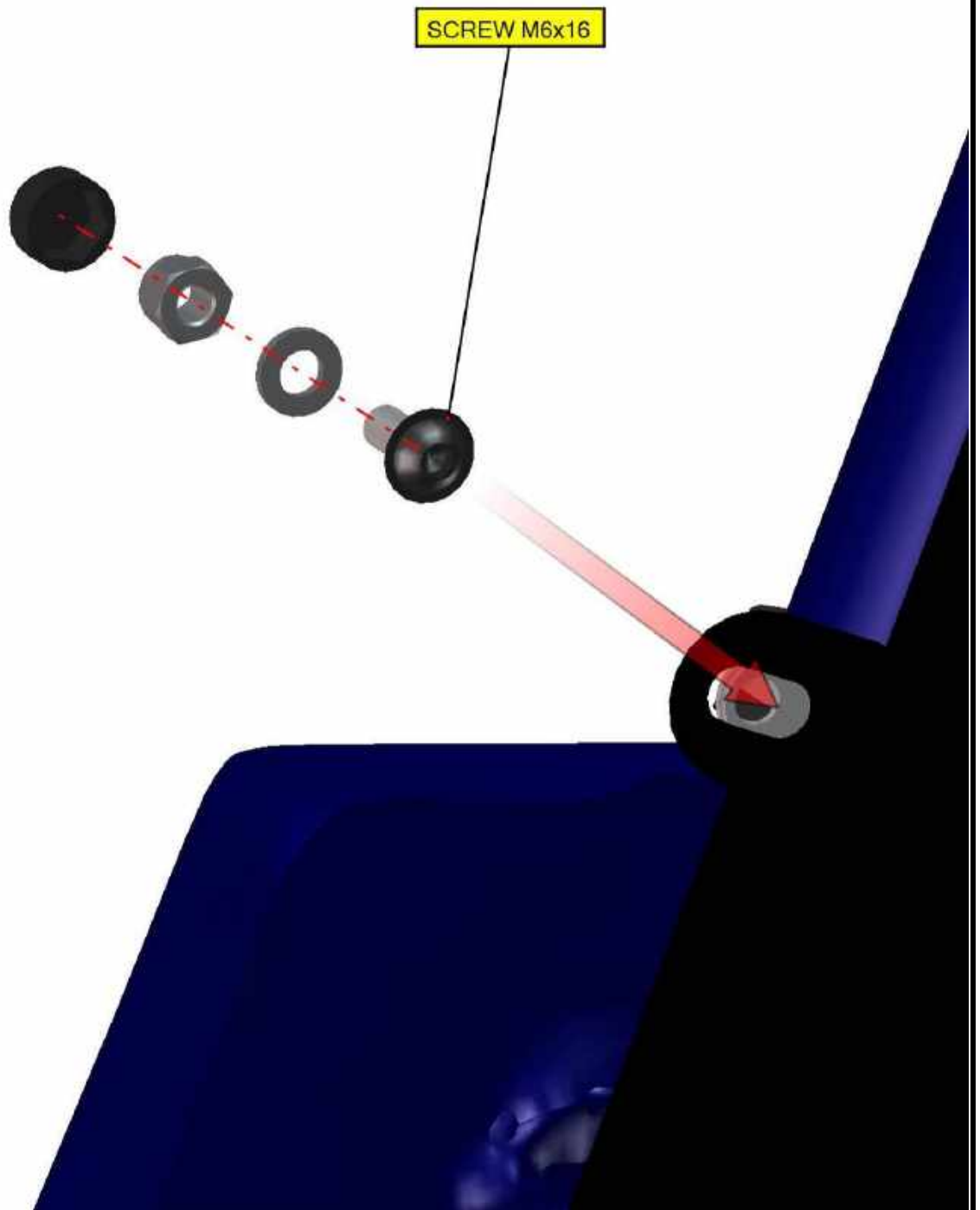
It is important to check the coolant level regularly at least 4-5 times during the first several days of operation and fill as necessary until the coolant level has stabilized. The heater will draw and retain coolant, sometimes at the expense of coolant to the engine. This can cause engine overheating if not managed properly.

REAR PANEL 1.

Install the tightening straps onto the UTV rollercage. Place the rear bottom panel onto the UTV rollercage from inner side and adjust the rear bottom panel into the best position.

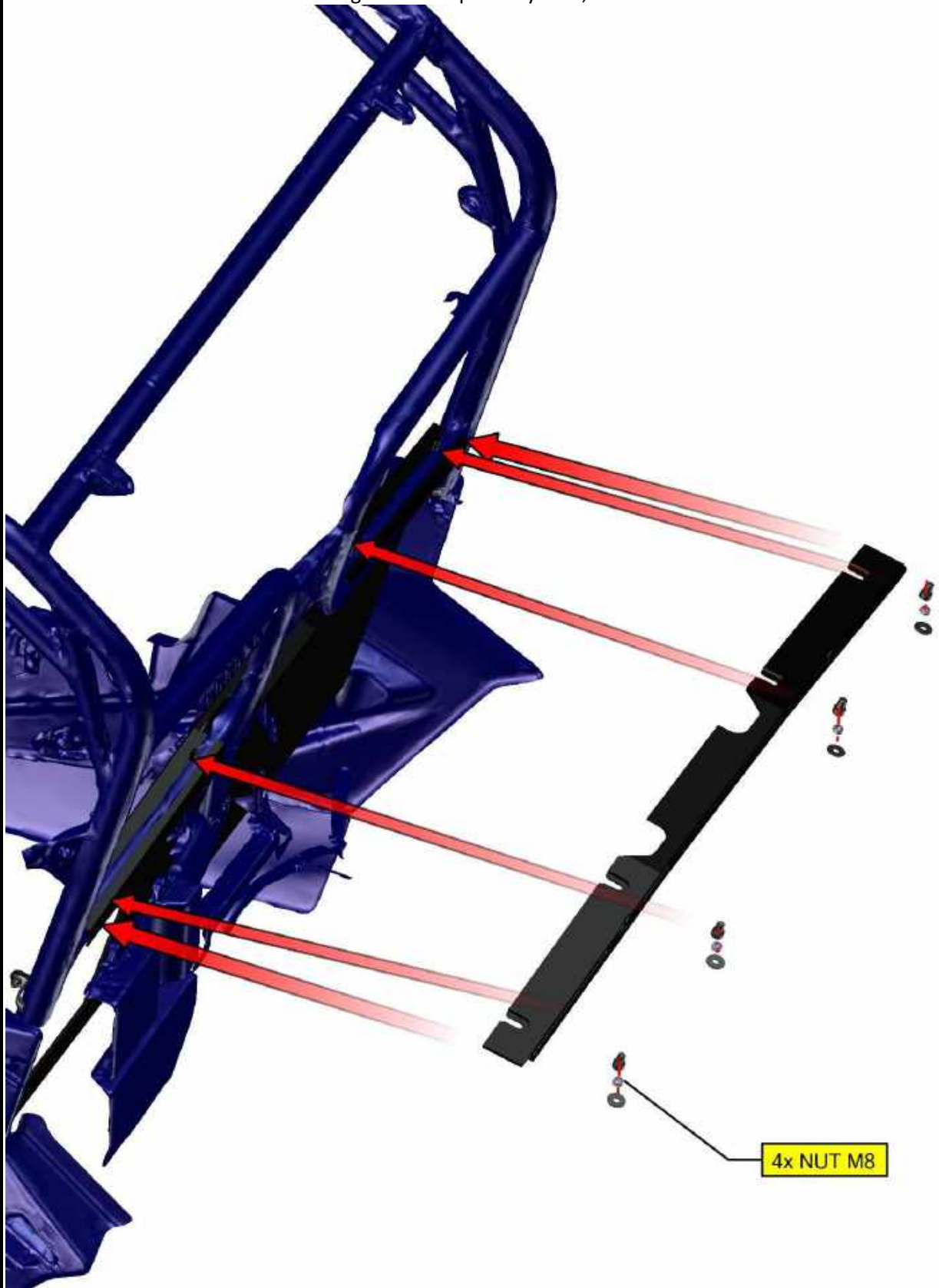


Fix the rear bottom panel with the tightening straps by included M6x16 screws on both sides.



35

If you don't have door assemblies, please follow next steps!
Place the rear central ledge onto the rear bottom panel
and fix the ledge with the panel by nuts, washers and covers.



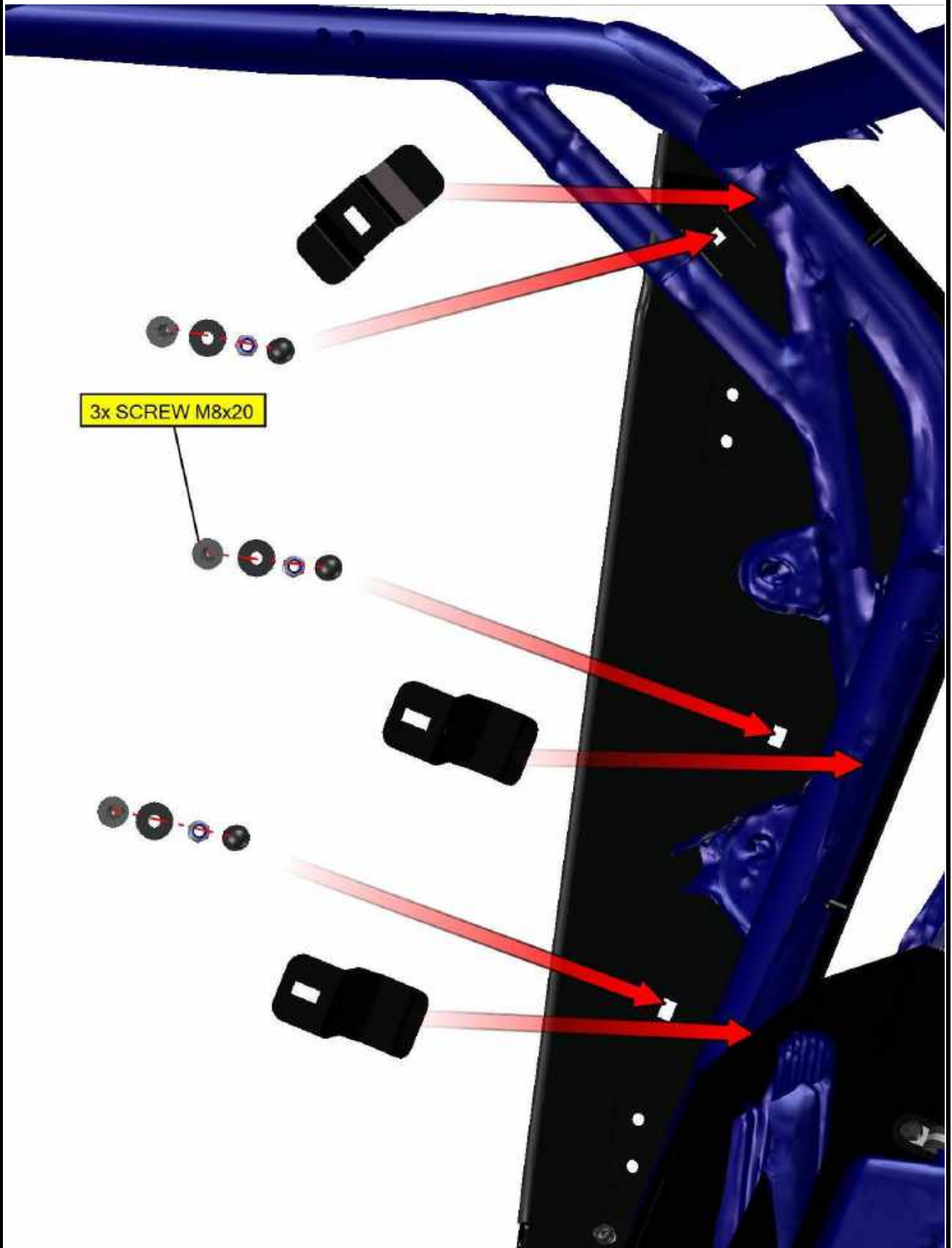
LEFT DOOR + RIGHT DOOR 1.

Place the right door base onto the rollercage and adjust the door base into the best position.



37

Fix the right door base with the UTV rollercage by included holders and M8x20 screws, washers, nuts and covers.

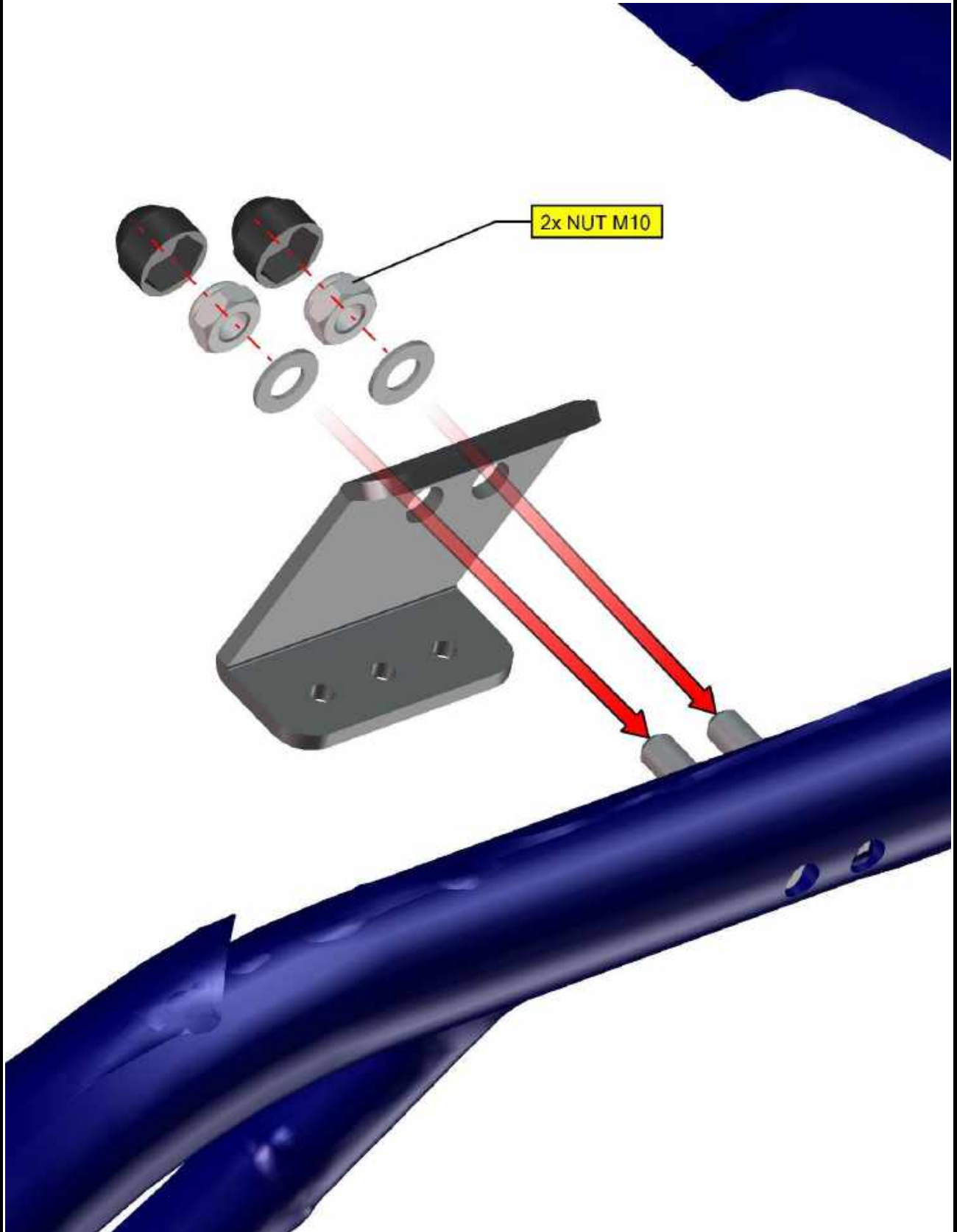


One by one replace the original screws for included M10x50 screws.



39

Install the right gas spring holder onto the screws from previous step and fix by included M10 nuts, washers and covers.

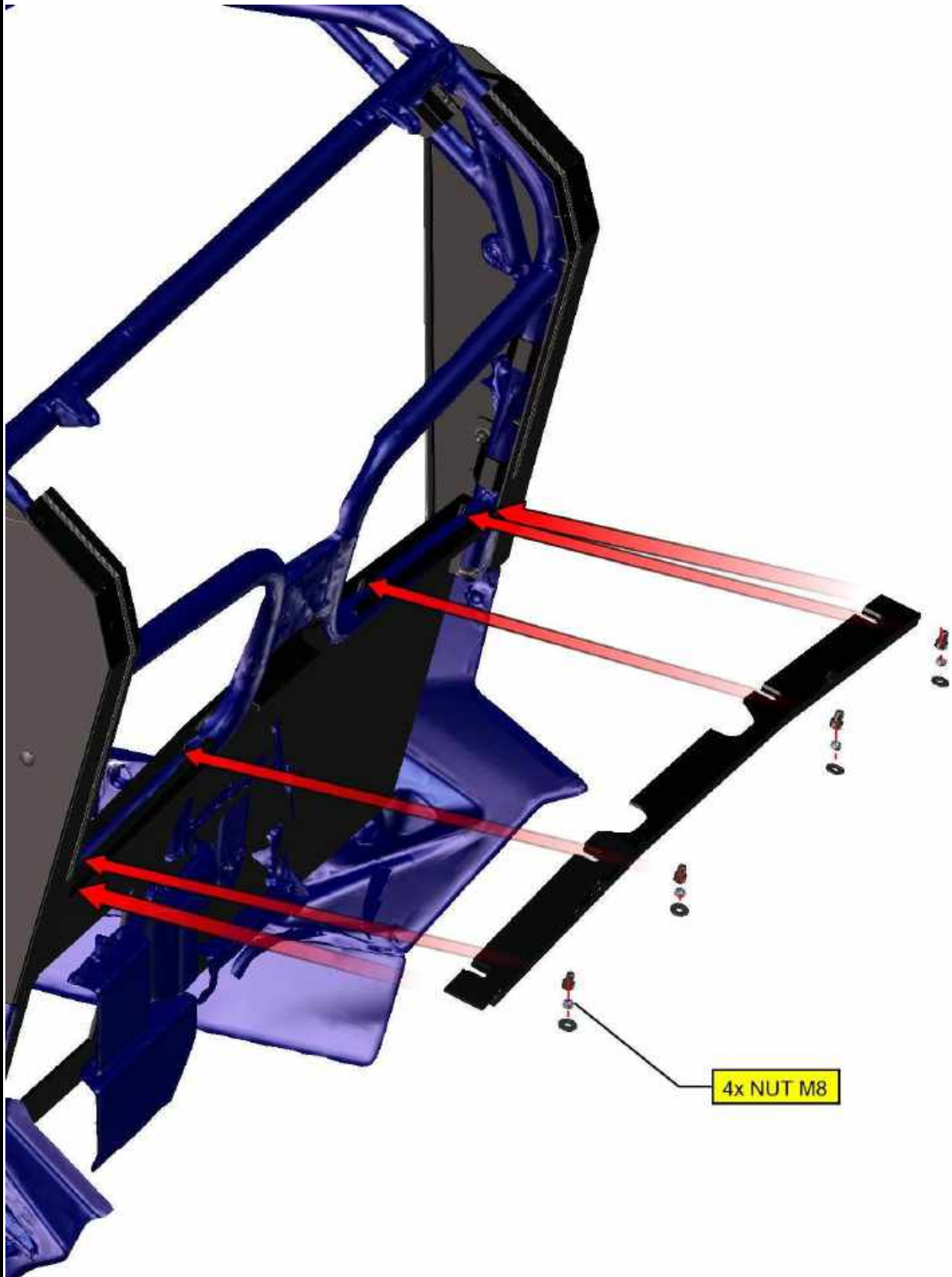


40

REPEAT PREVIOUS STEPS ON THE LEFT SIDE

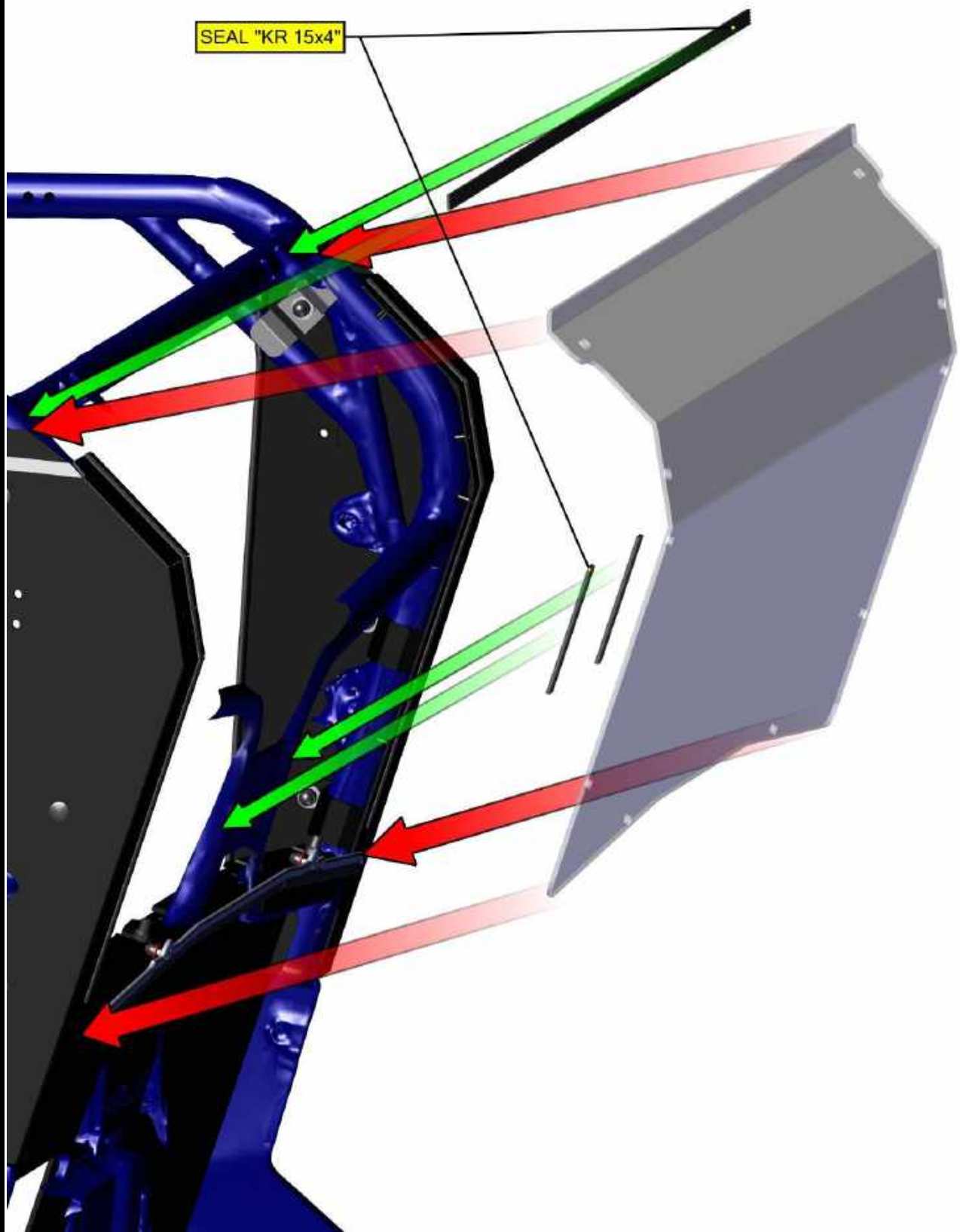
REAR PANEL 2.

Place the rear press ledge onto the rear bottom panel and fix the ledge by included M8 nuts, washers and covers.

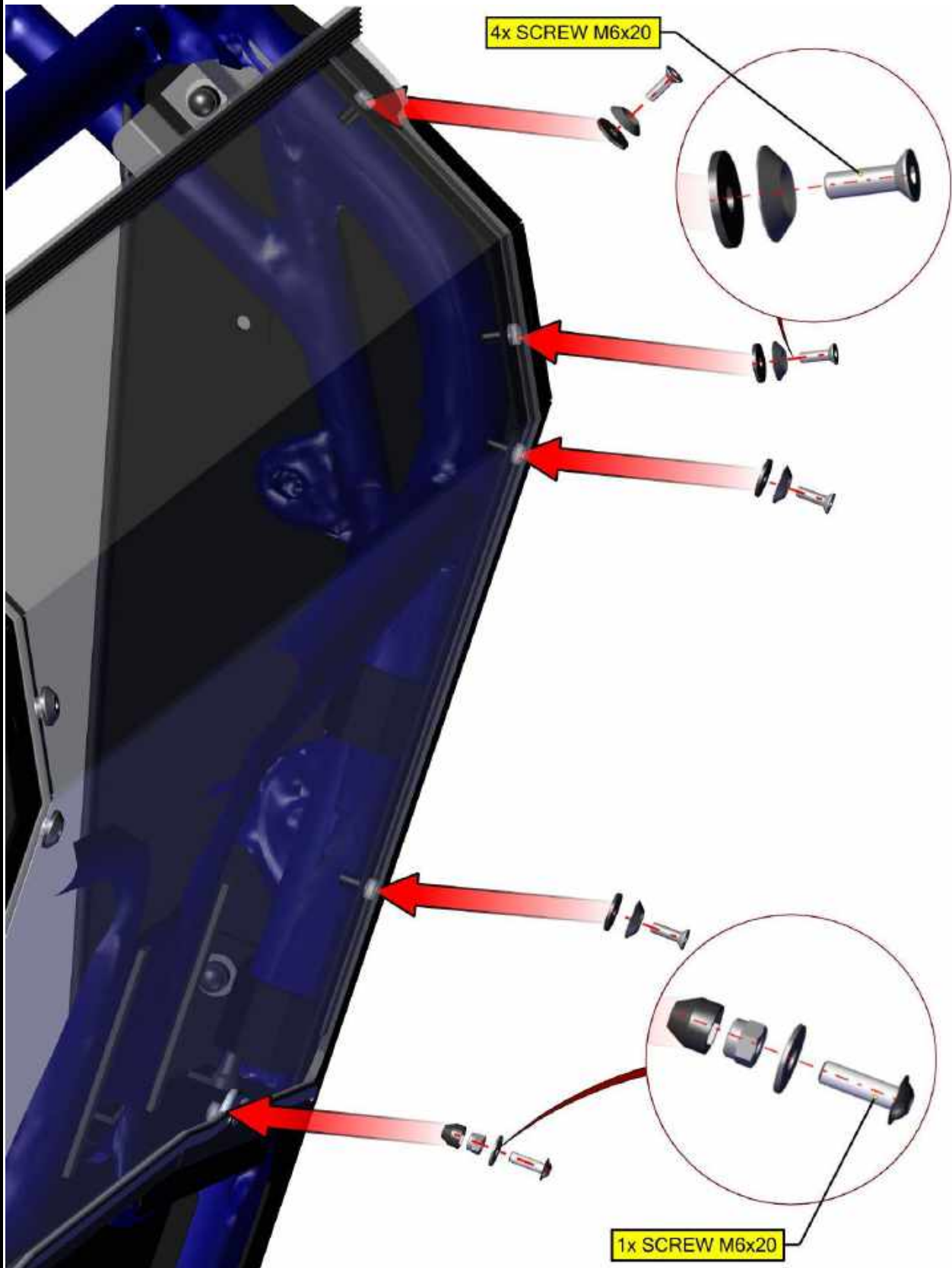


41

Stick the self-glued seal KR 15x4 onto the UTV roller cage (green arrows).
Place the rear window assembly onto the UTV frame.



Fix the rear window assembly with the door bases by included M6x20 screws and washers on both sides.
Fix the rear window assmeby with the rear press ledge by included M6x20 screw, washers, nuts and covers on both sides.

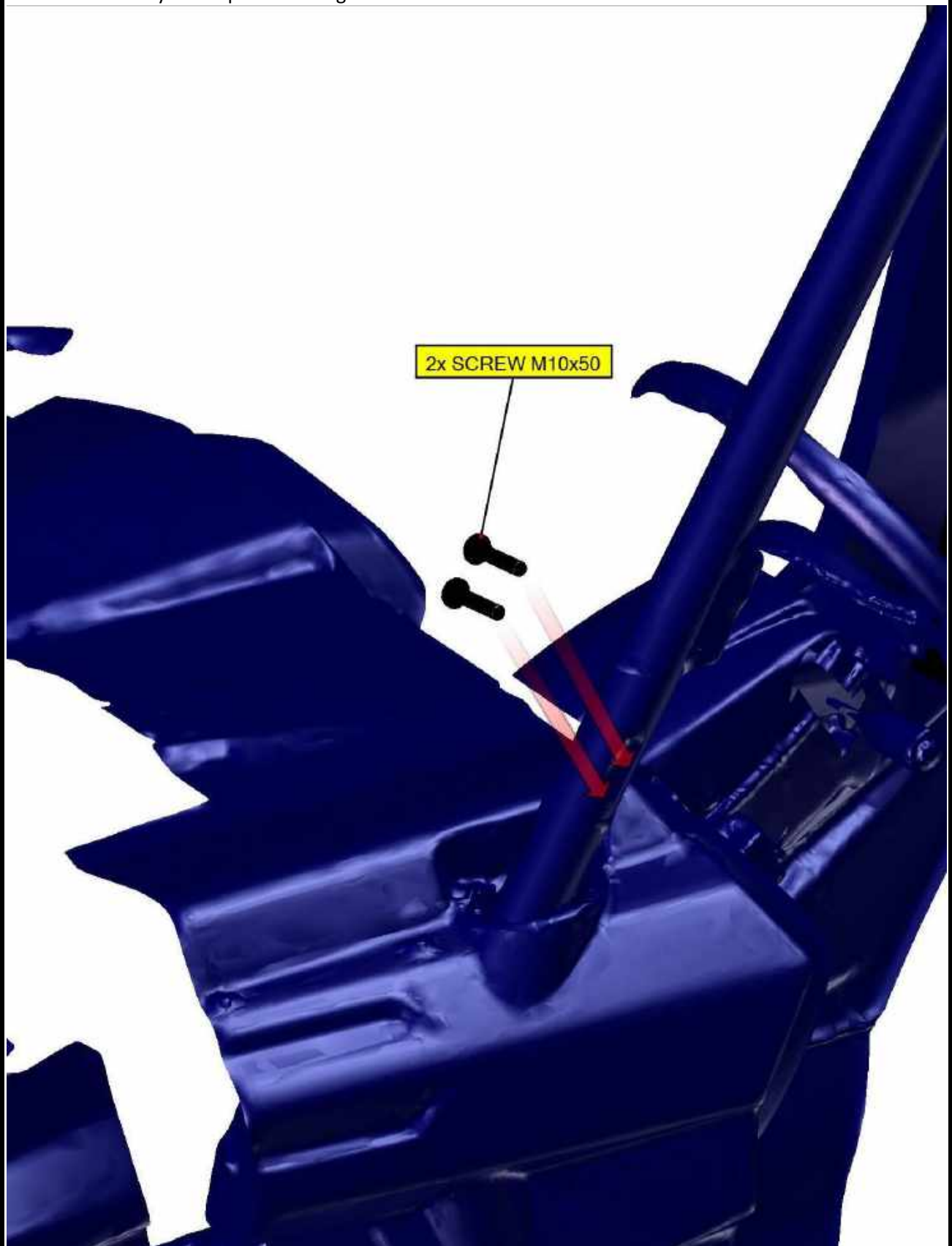


DETAILED VIEW



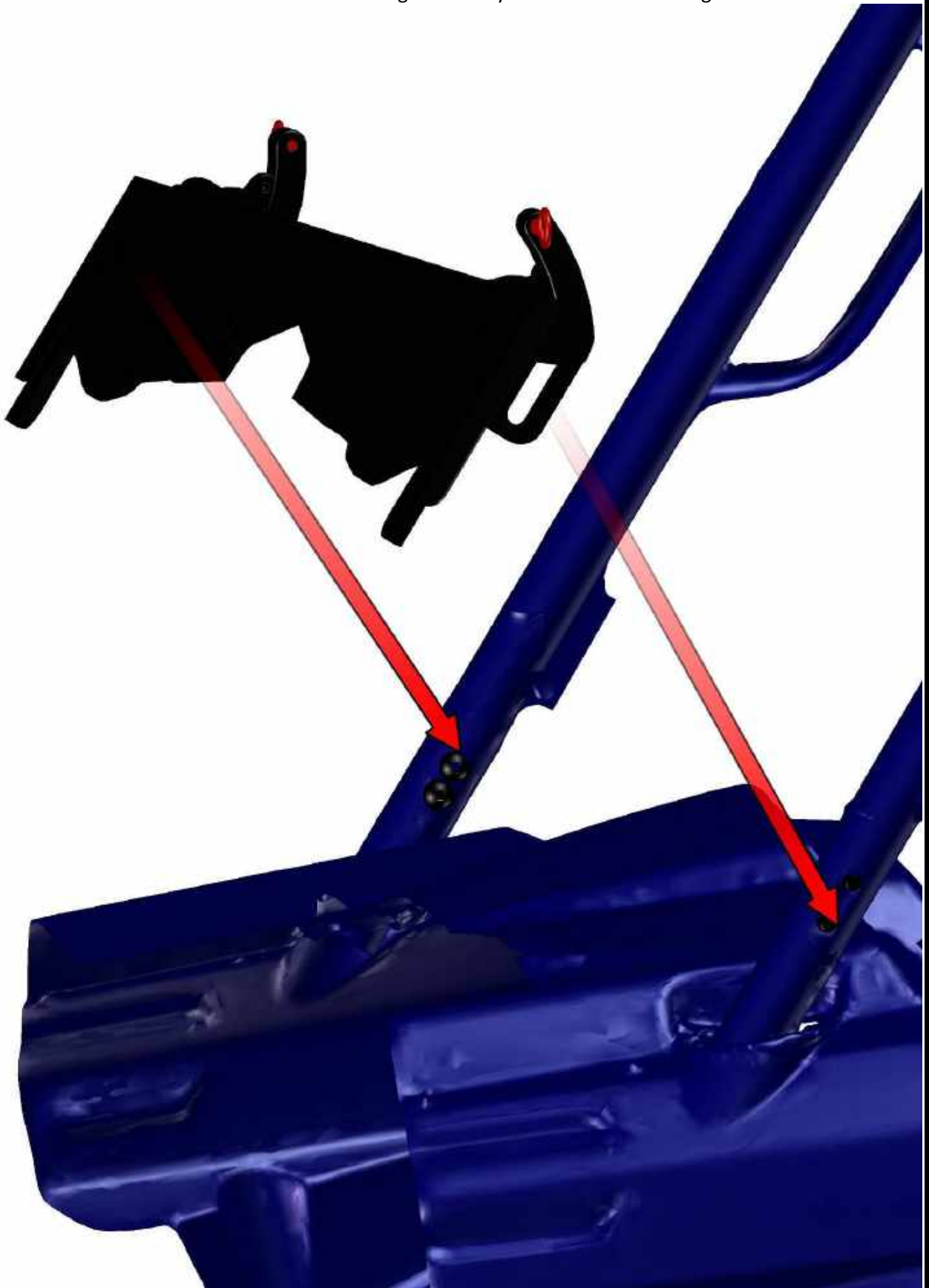
FRONT PANEL 1.

One by one replace the original screws with included M10x50 screws from inner side.

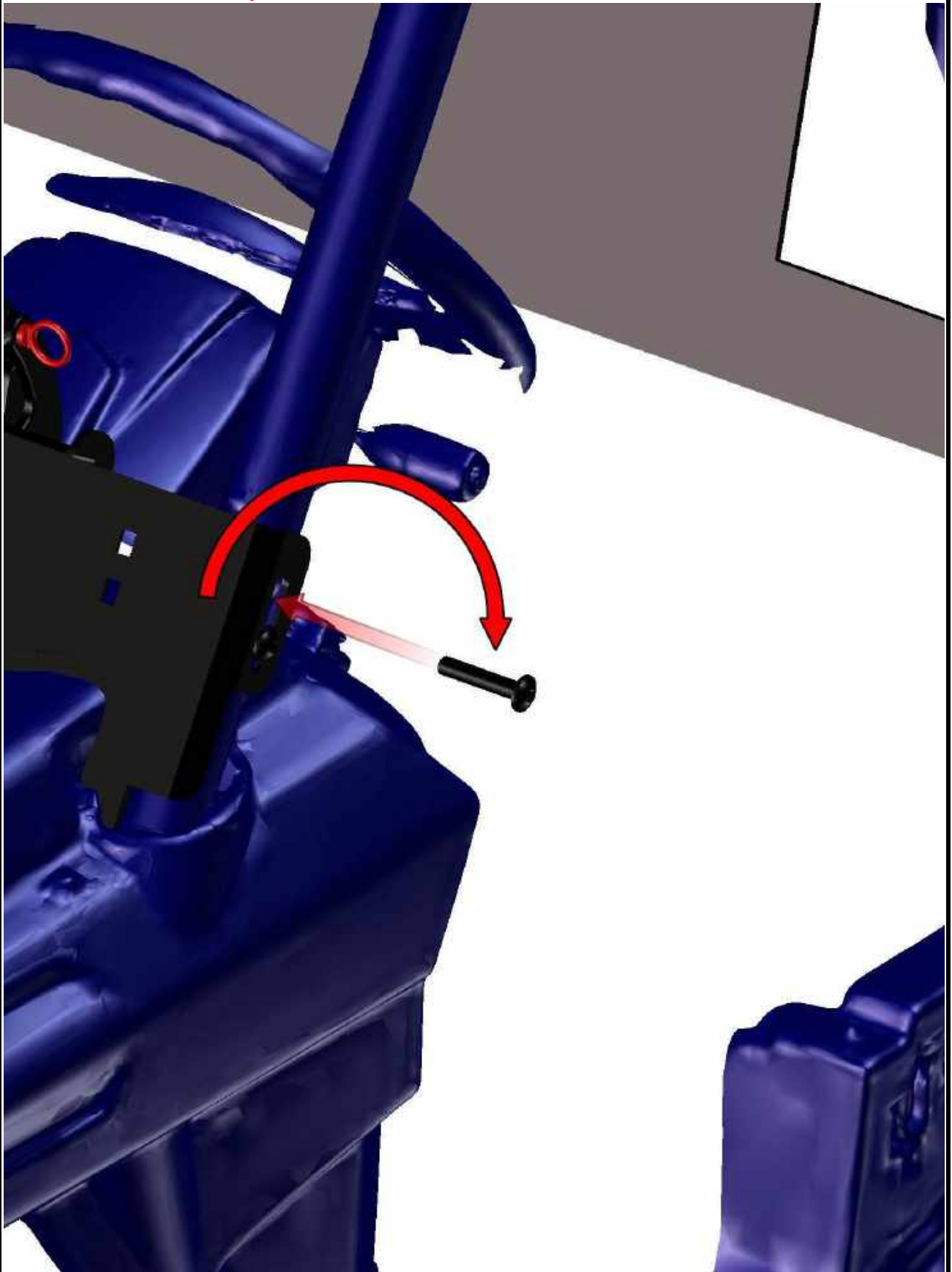


45

Place the front bottom ledge assembly onto the UTV rollercage.



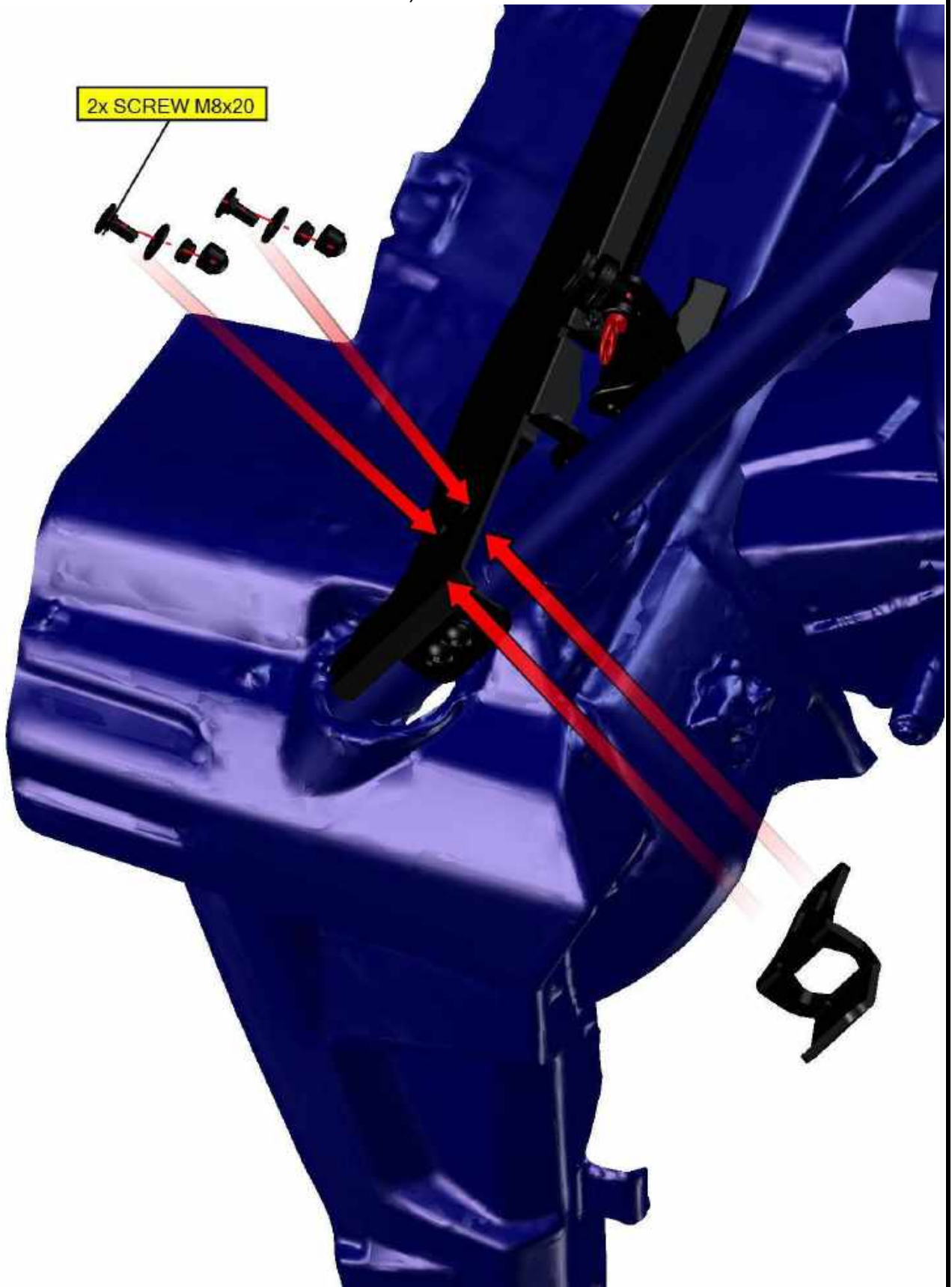
One by one replace the screws from the outer side and tighten.



DETAILED VIEW



Place the front bottom ledge holders into the position and fix the holders with the front bottom ledge by included M8x20 screws, washers and covers on both sides.



ELECTROINSTALLATION 2.

WIPER SET

View onto the wiper motor with the cover and with the middle ledge.



Place the washer onto the wiper longer pin.



Place the washer onto shorter wiper pin.



View onto installed washers.



Place the wiper assembly onto the front glass from inner side.
Insert these washers onto the wiper's pins and onto the glass from outer side.



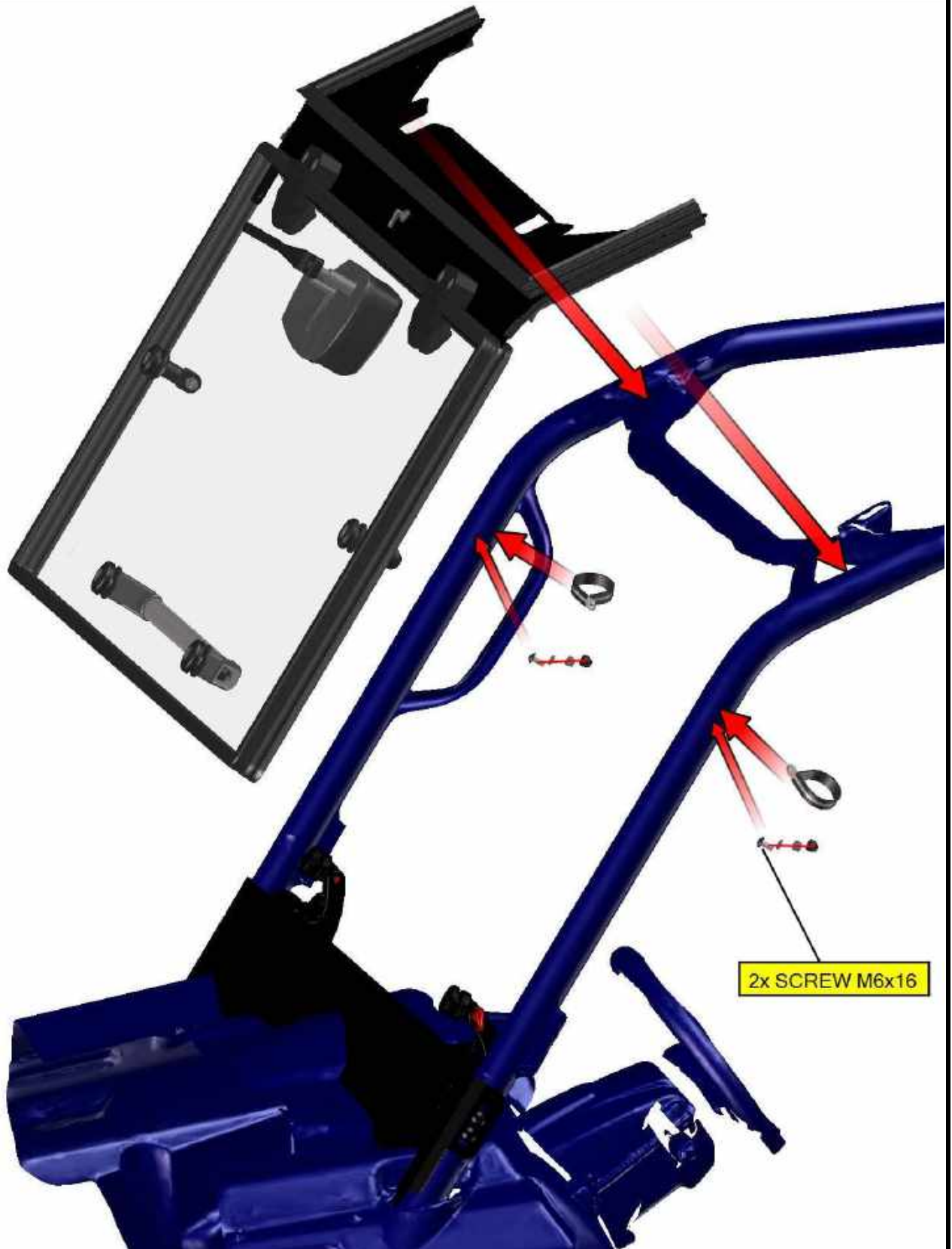
Fix the wiper motor with the front glass by included nuts and tighten these correctly.



Place the front window assembly onto the front upper ledge by hinges. Fix that by included M8x40 screws, washers, nuts and covers.



Install the tightening straps onto the UTV frame. Place the front glass assembly with the upper ledge onto the UTV rollercage. And fix the assembly with the strap by included M6x16 screw, washers, nuts and covers.



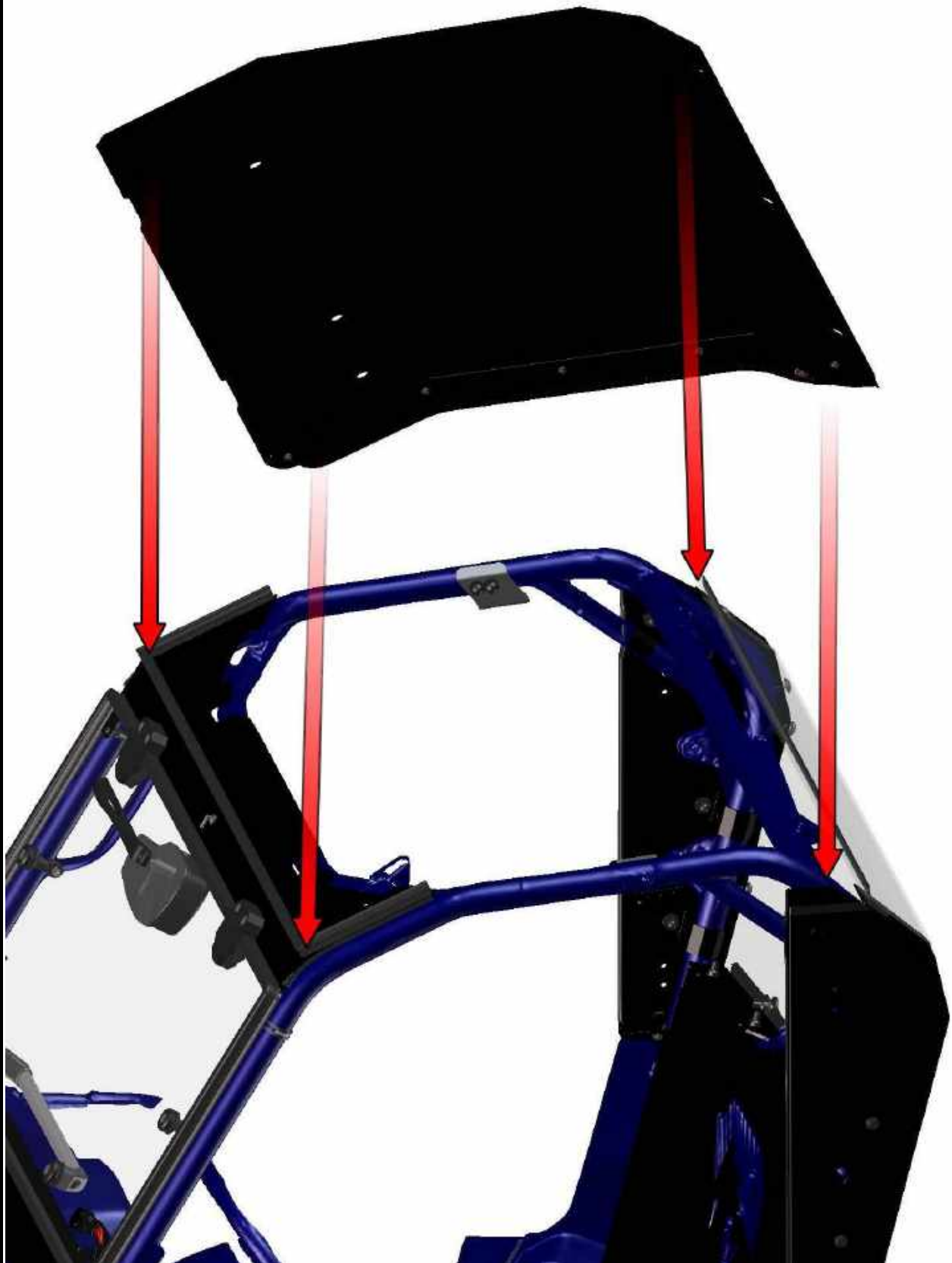
54

DETAILED VIEW



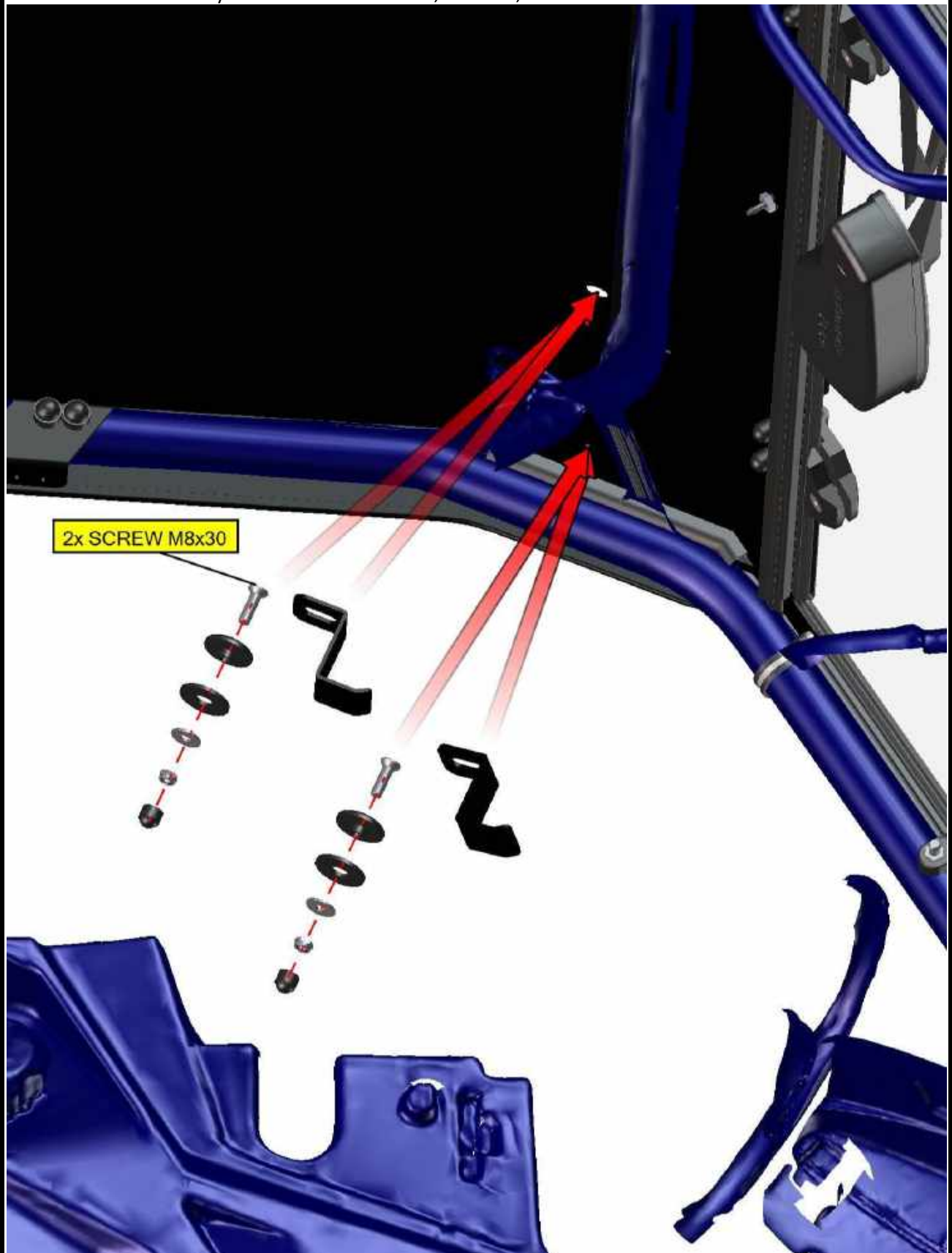
ROOF

Place the roof onto the UTV frame. And adjust the roof into the best position.

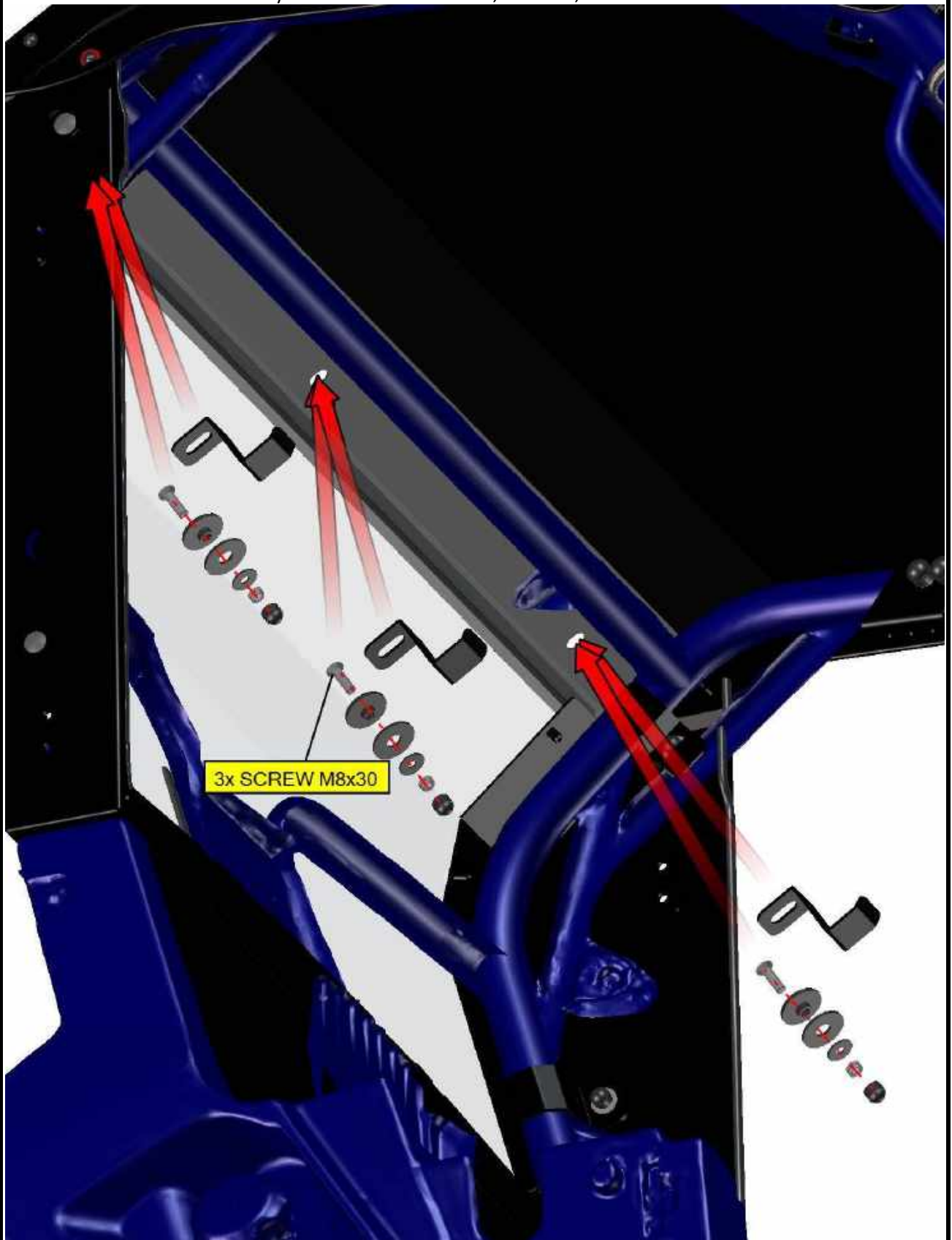


56

Place the front roof holders onto the roof in accordance with the UTV roller cage. Fix the holders with the roof by included M8x30 screws, washers, nuts and covers on both sides.

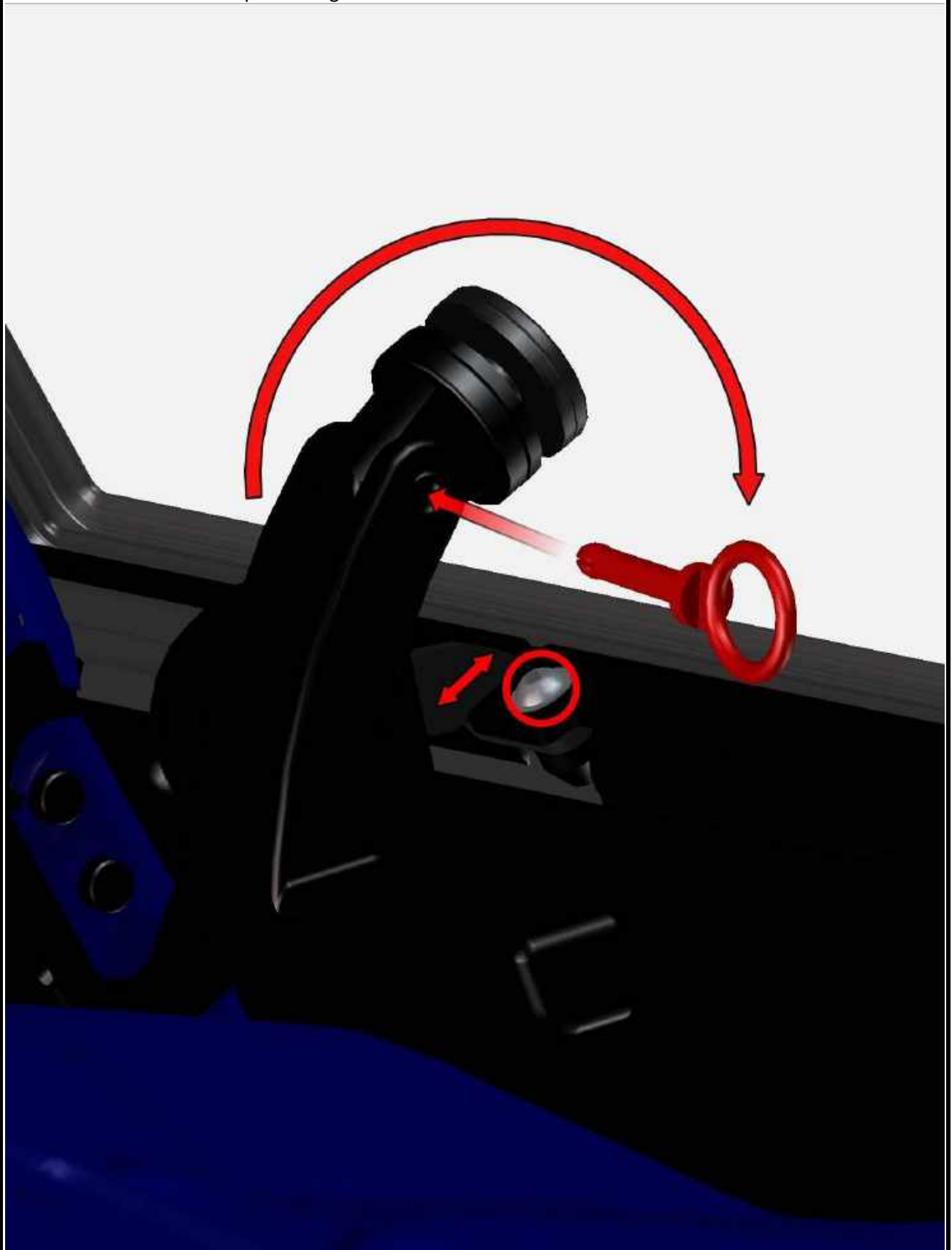


Place the rear roof holders onto the roof in accordance with the UTV rollercage. Fix the holders with the roof by included M8x30 screws, washers, nuts and covers.



FRONT PANEL 2.

Replace the glass lock fuse to the inner side on both sides.



DETAILED VIEW



60

Install the front gas springs into the holders and fix by included M8 nuts and covers on both sides.



61

ELECTROINSTALLATION 3.
WIPER/WASHER 2.

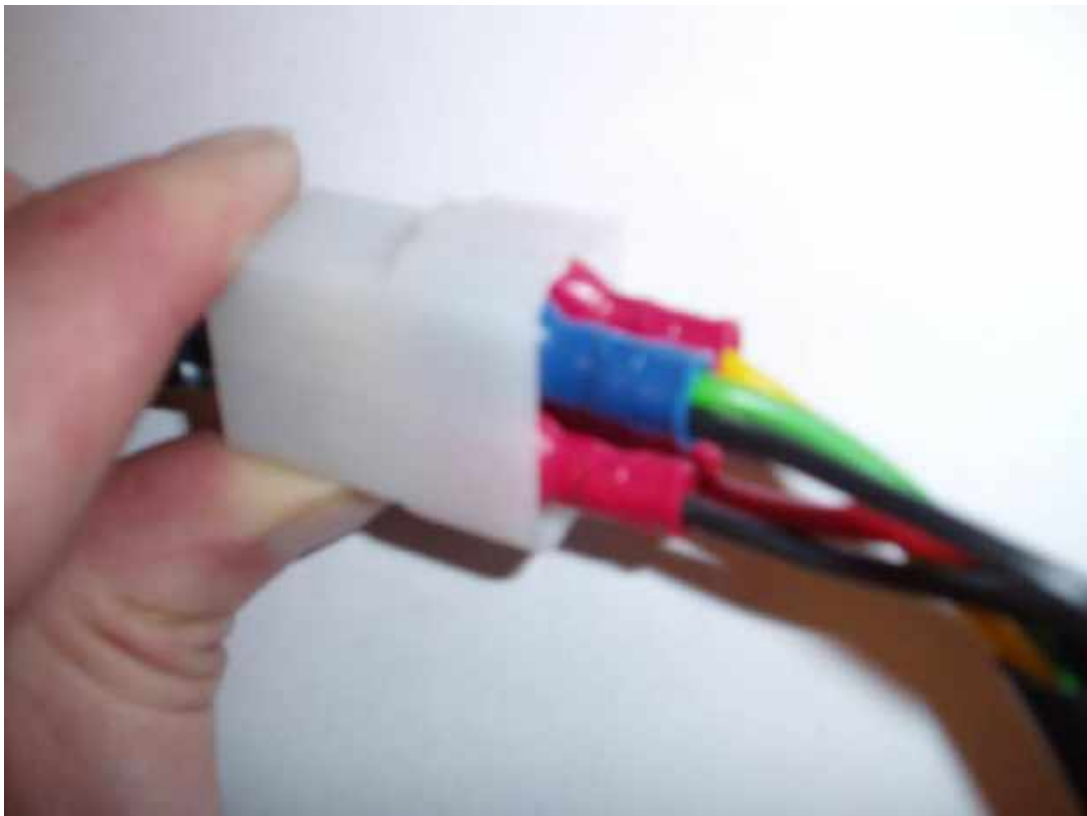
Run the harness branch with washer hose to the front wiper motor and connect the branch with the wiper motor.



DETAILED VIEW



DETAIL VIEW CONNECTION

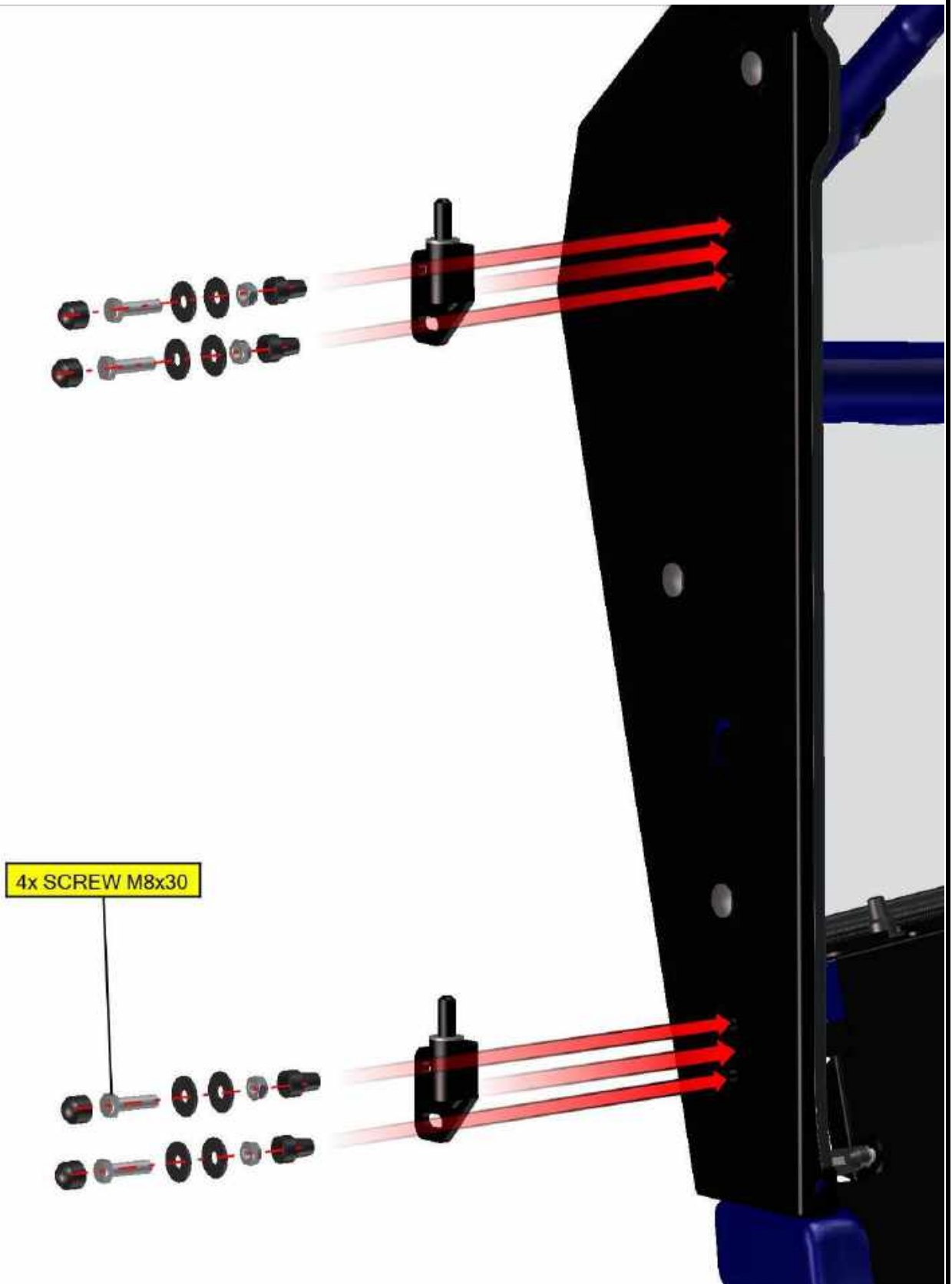


Please note that is necessary to add 5 inches extra before you cut the washer hose.
Connect the tube with hoses on both sides (detail of the bushing tube connection).



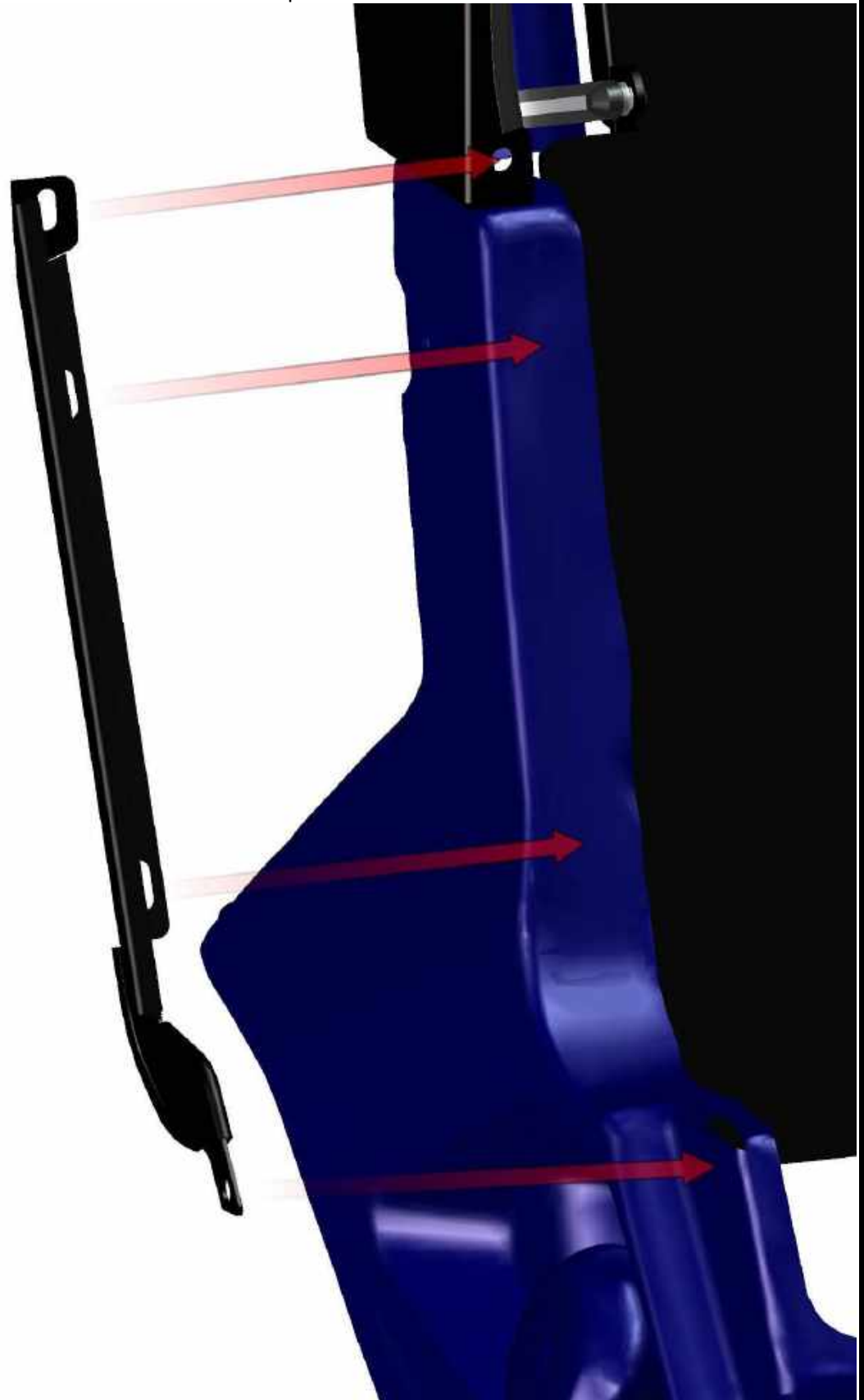
LEFT DOOR + RIGHT DOOR 2.

Place the right hinges onto the right door base. And fix by included M8x30 screws, washers, nuts and covers.

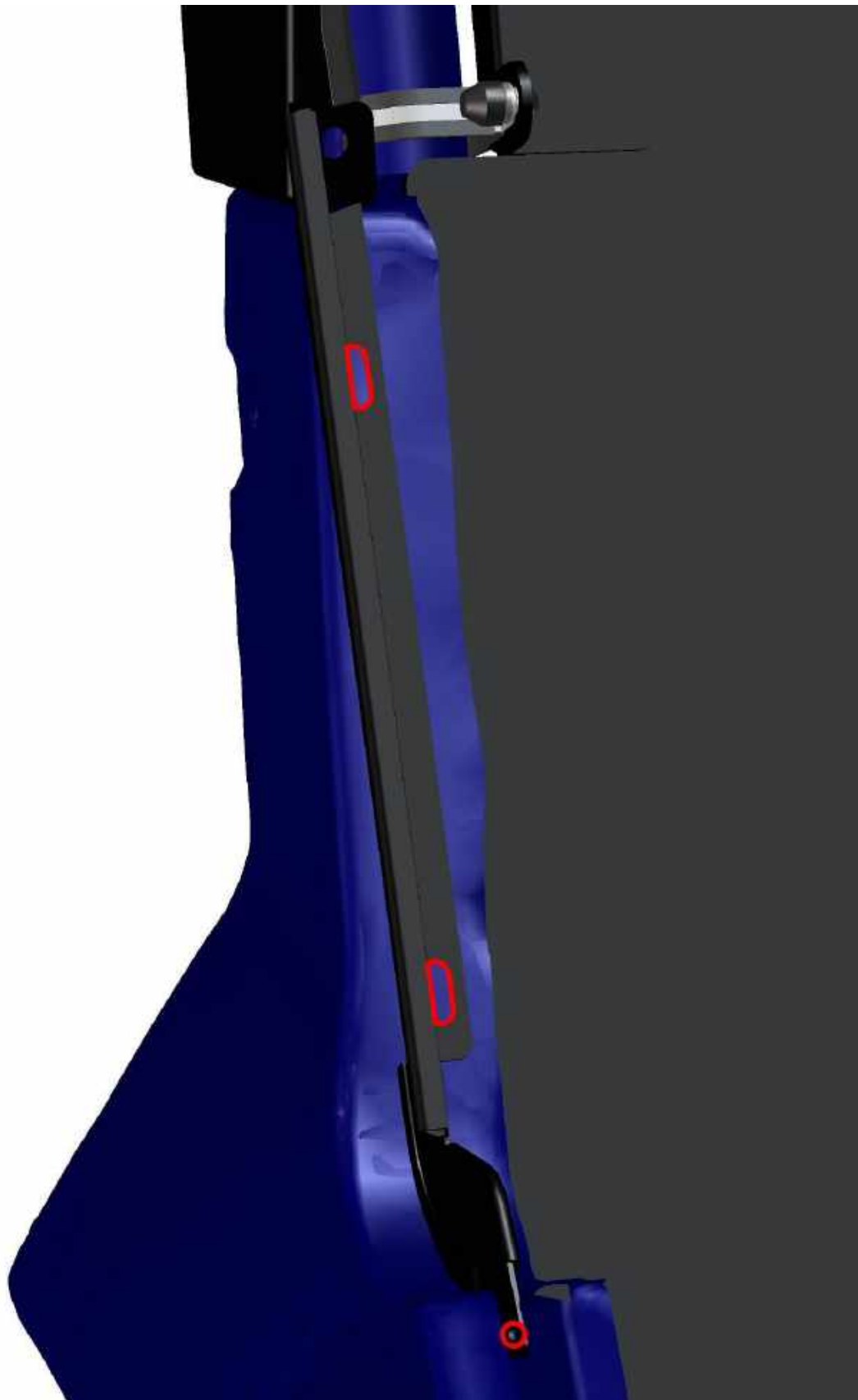


65

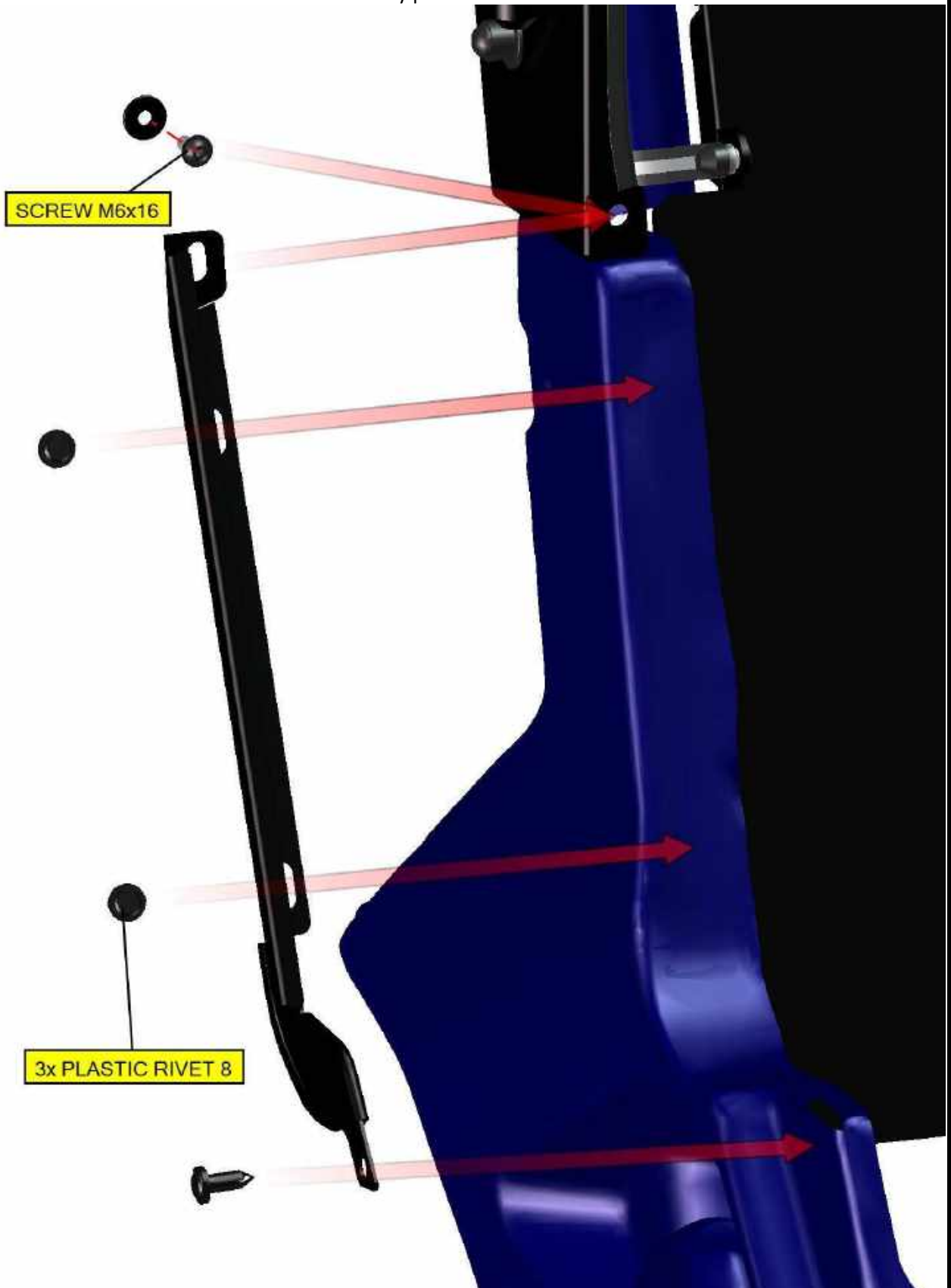
Place the right rear door ledge onto the UTV plastic body and adjust the right rear door ledge into the best position.



Make marks onto the UTV plastic body in accordance with the rear door ledge holes. Drill holes $\varnothing 8\text{mm}$ into the marks centers.



Fix the ledge with the right door base by included M6x16 screw and with the UTV plastic body fix the ledge by plastic rivets.



DETAILED VIEW

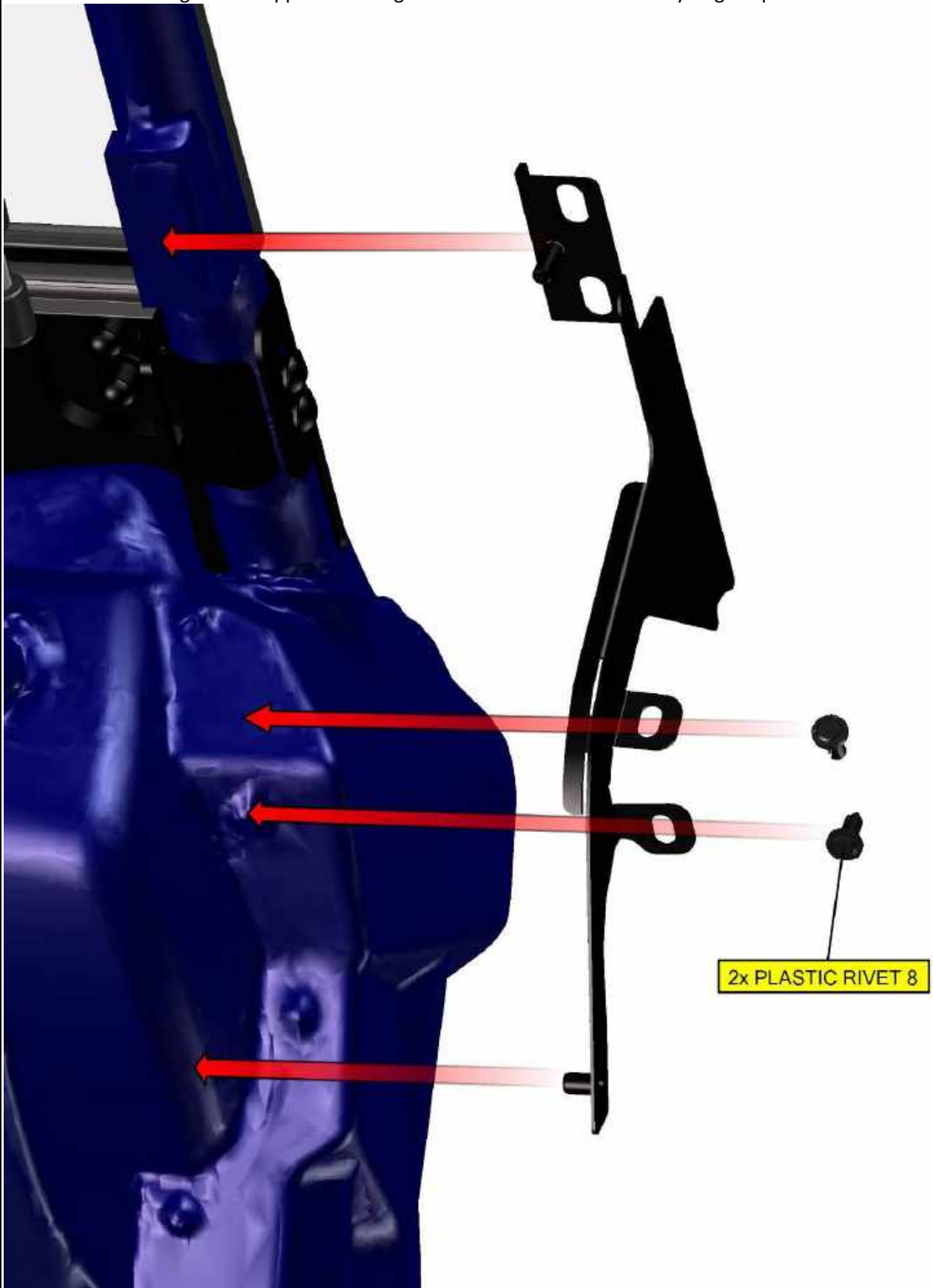


Remove all original plastic rivets from the UTV front panel carefully and uninstal the original hinges.

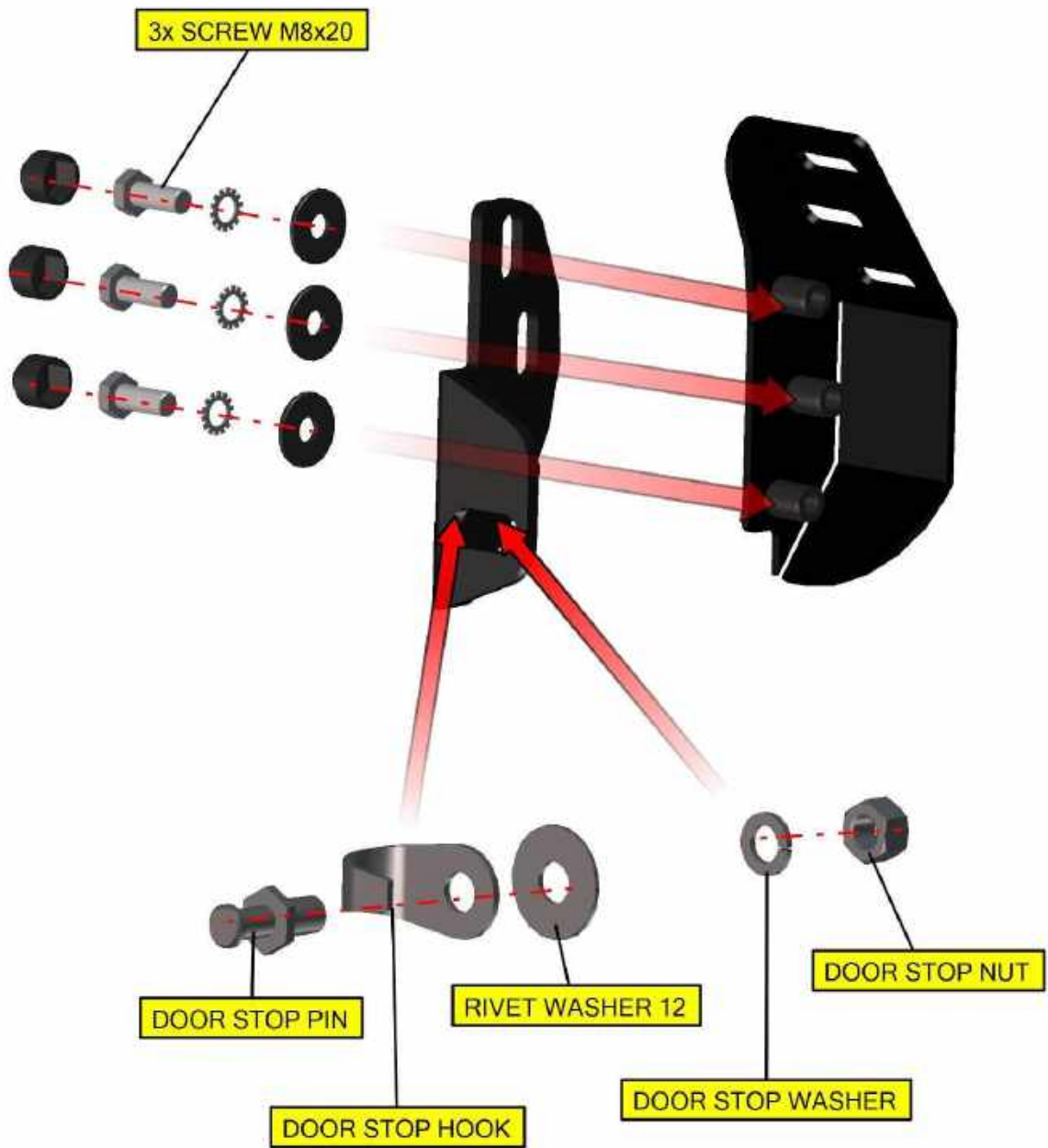


70

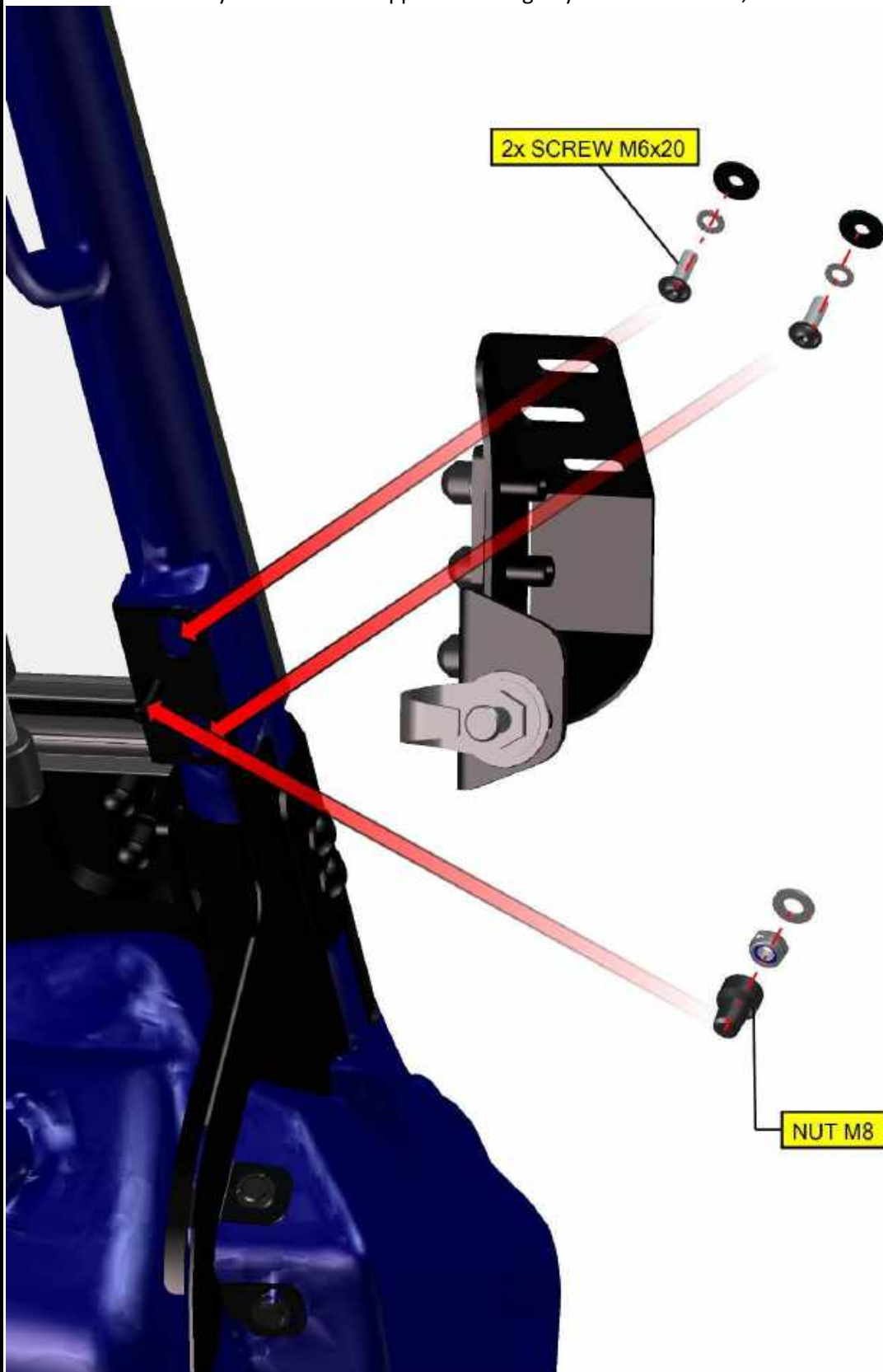
Place the right front upper door ledge onto the UTV frame and fix by original plastic rivets.



Instal the door stop assembly into the door stop holder. Fix the door stop holder with the door stop frame holder by included M8x20 screws, washers and covers.



Place the door stop assembly onto the front upper door ledge in accordance with the original holes. Fix the door stop assembly with the UTV rollercage by included M6x20 screws and washers. Fix the right door stop assembly with the front upper door ledge by included M8 nut, washer and cover.

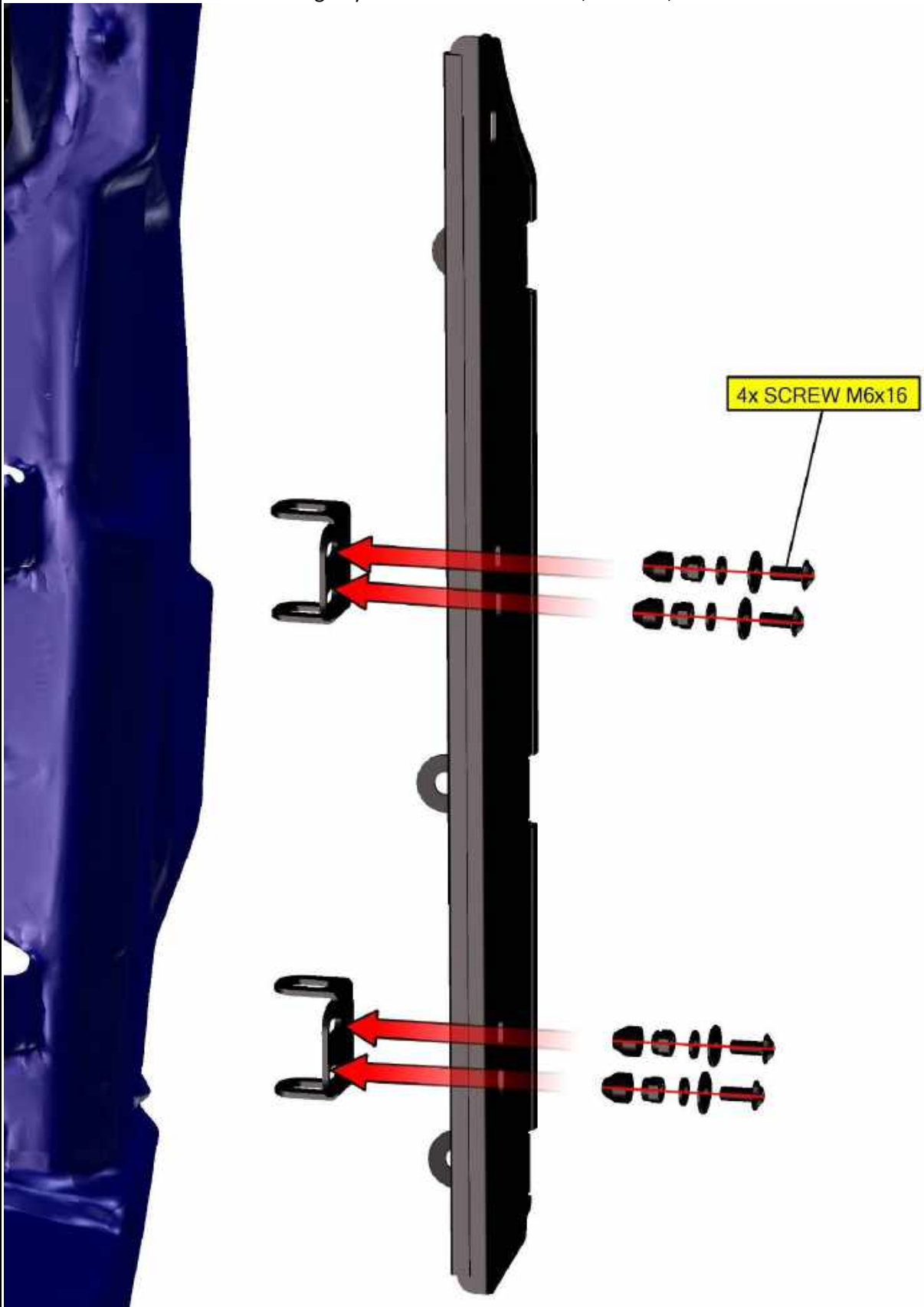


DETAILED VIEW

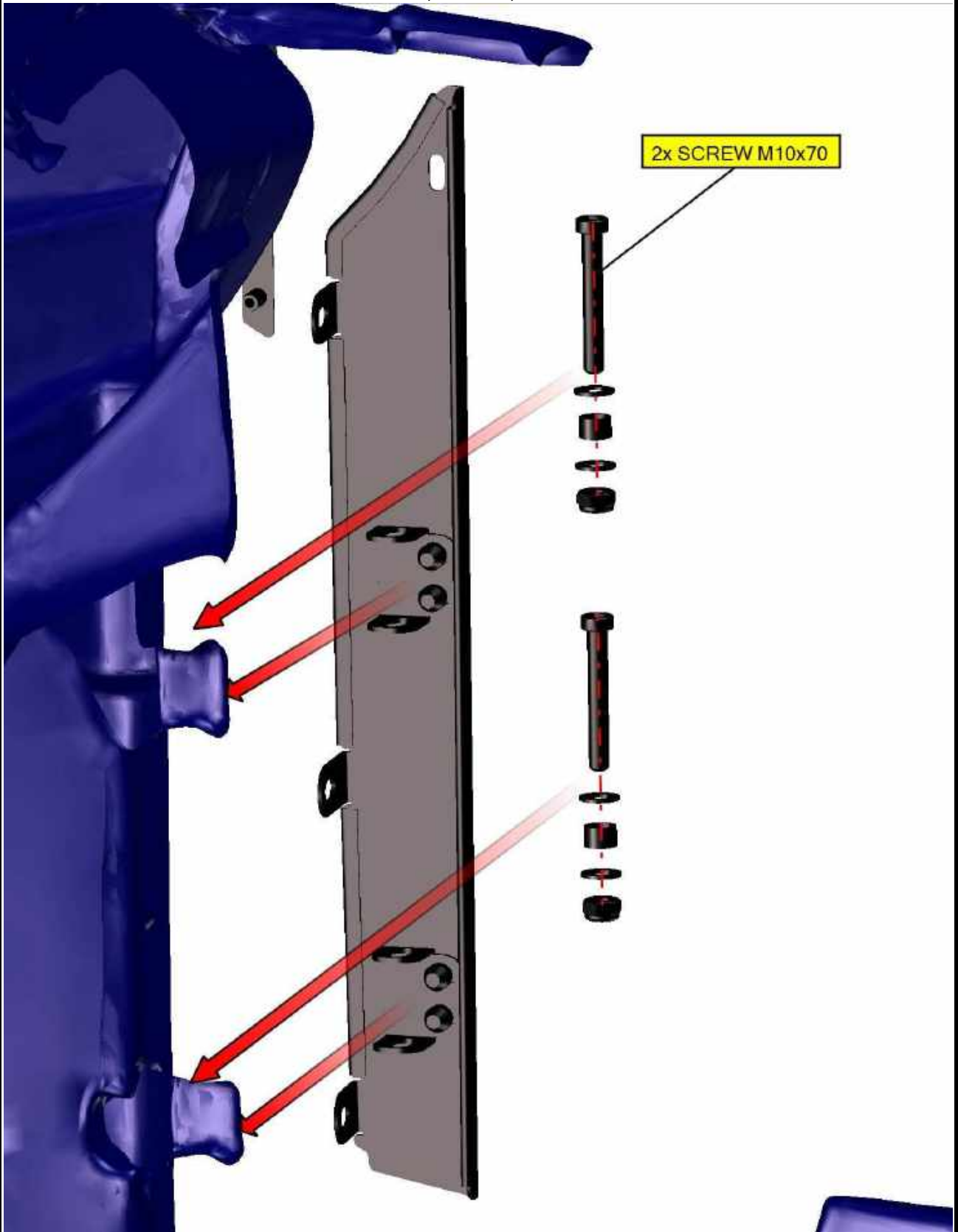


74

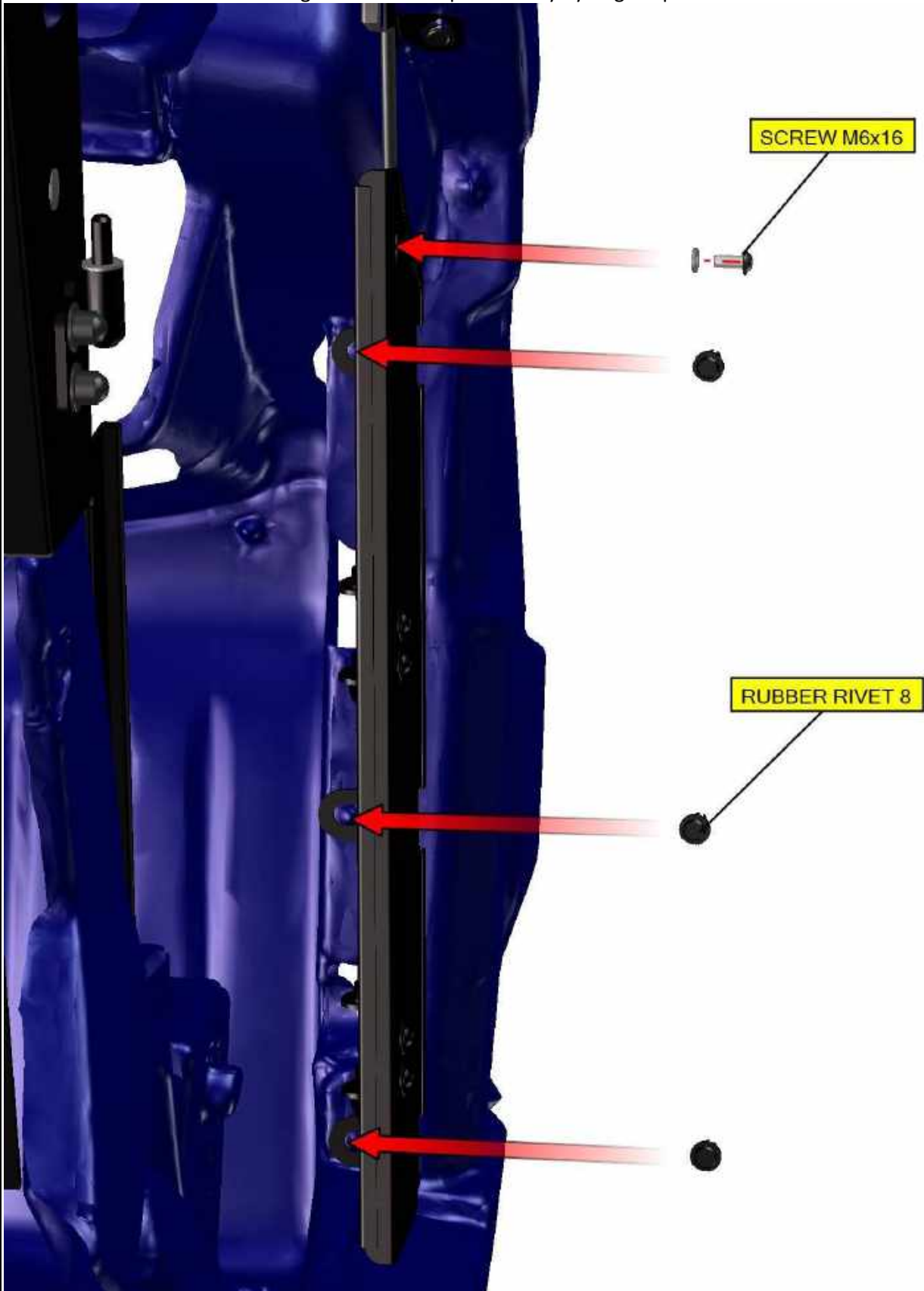
Place the front hinge cover onto the front bottom door ledge. Fix the front hinge cover with the front bottom door ledge by included M6x16 screws, washers, nuts and covers.



Place the front bottom ledge assembly onto the UTV plastic body in accordance with the original hinges.
Fix the front bottom ledge assembly with the original hinges by included
M10x70 screws, washers, nuts and covers.



Fix the front bottom ledge with the front upper ledge by included M6x16 screw and washer. Fix the front bottom ledge with the UTV plastic body by original plastic rivets.



Install the washer 12 onto the right door hinges, lubricate the hinges pins and place the right door onto the hinges.

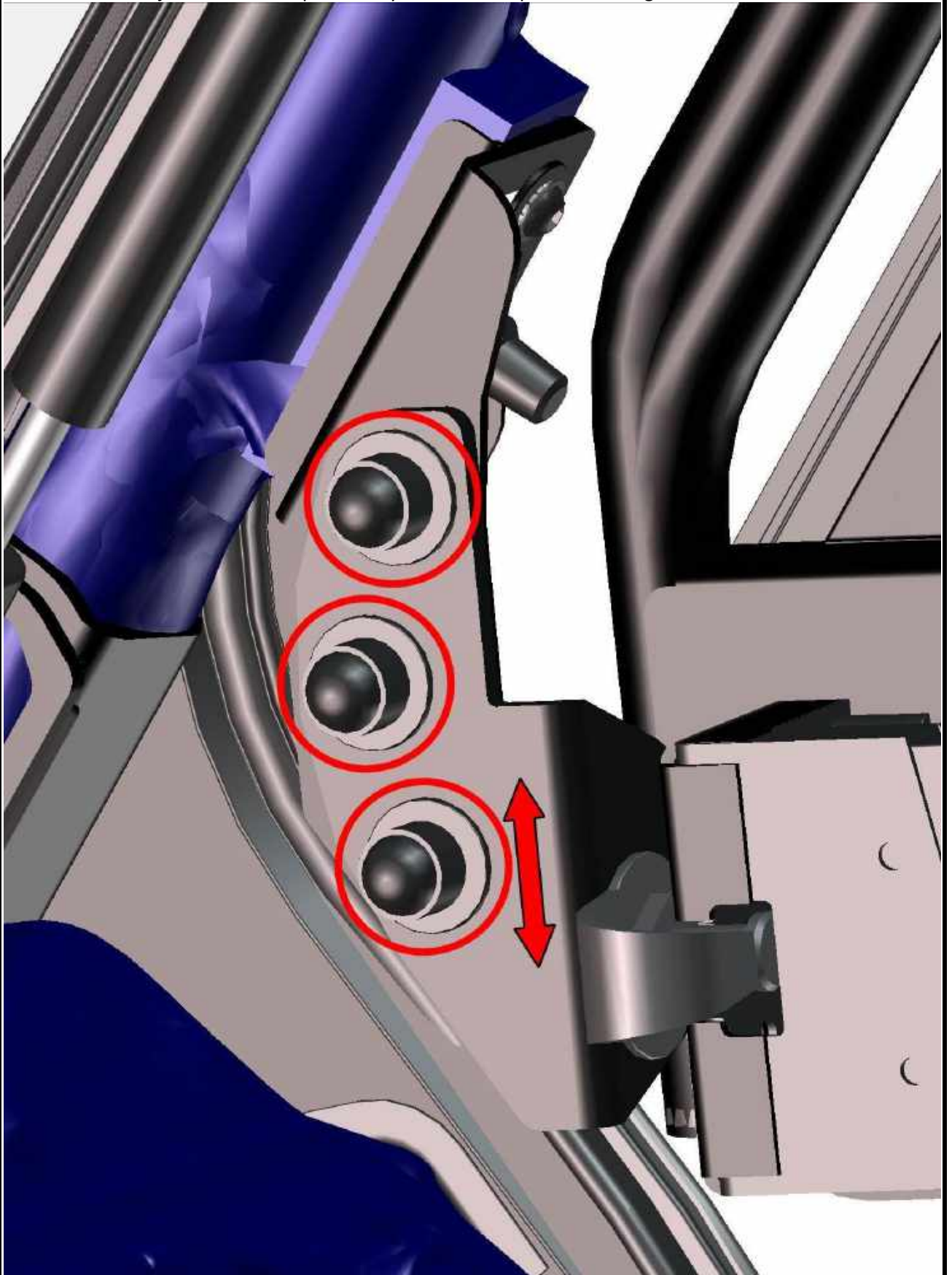


Adjust the right door into the best position by hinges and tighten the hinges screws hard.



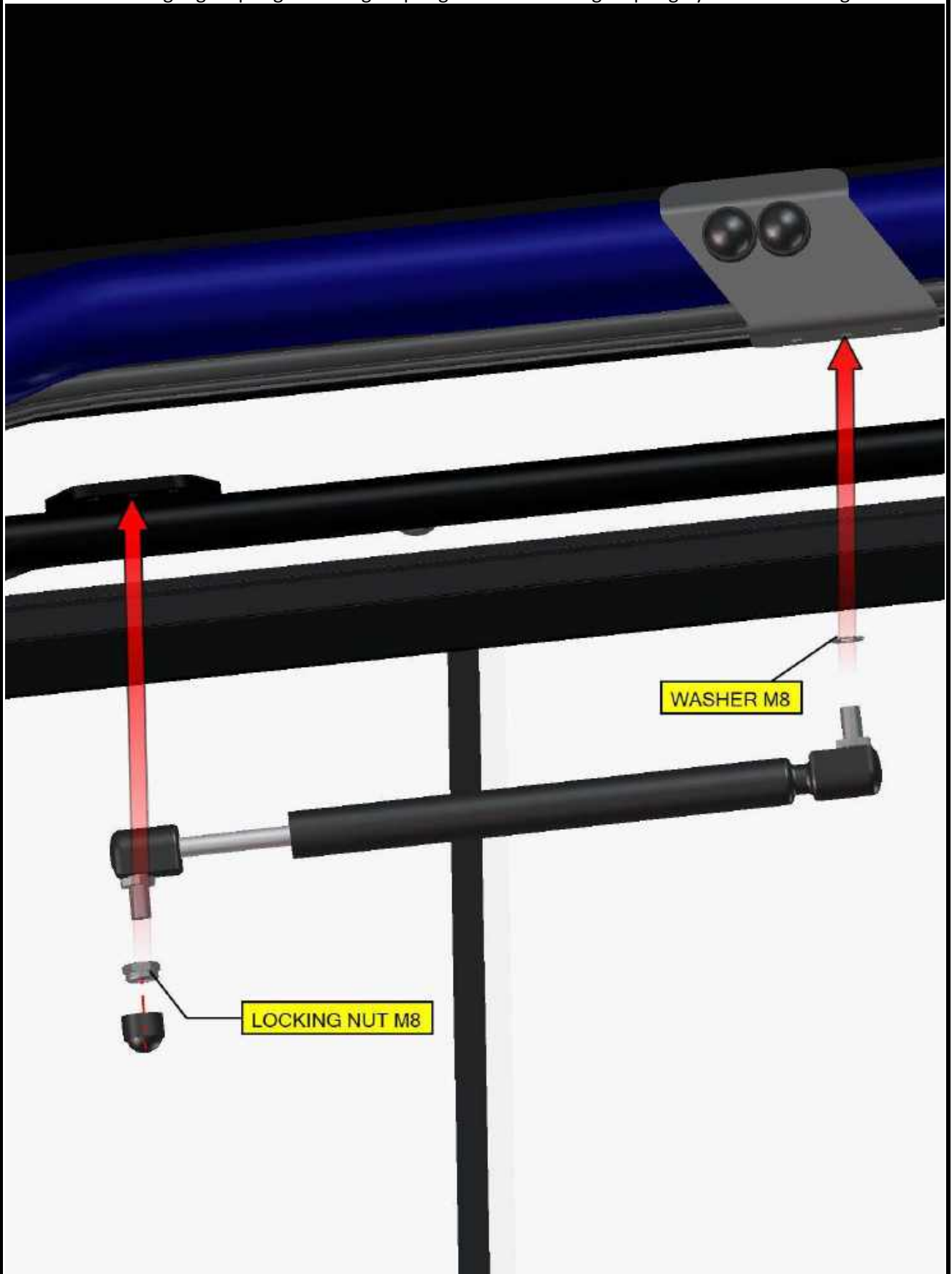
79

Adjust the door stop assembly into the best position and tighten screws hard.



80

Install the right gas spring into the gas spring holders. Fix the gas spring by included locking nut.

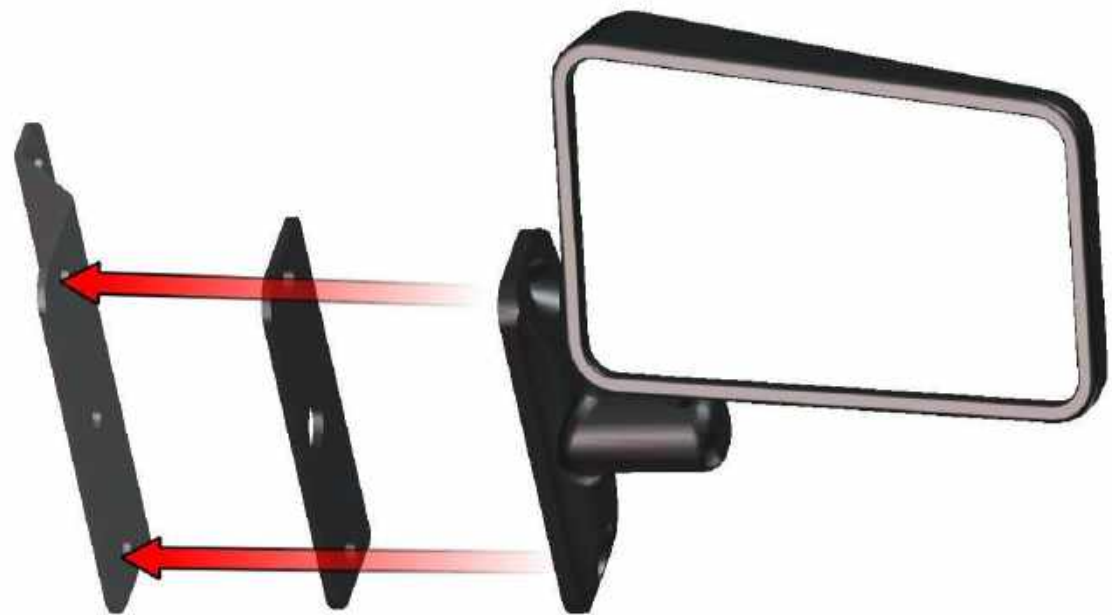


81

DETAILED VIEW



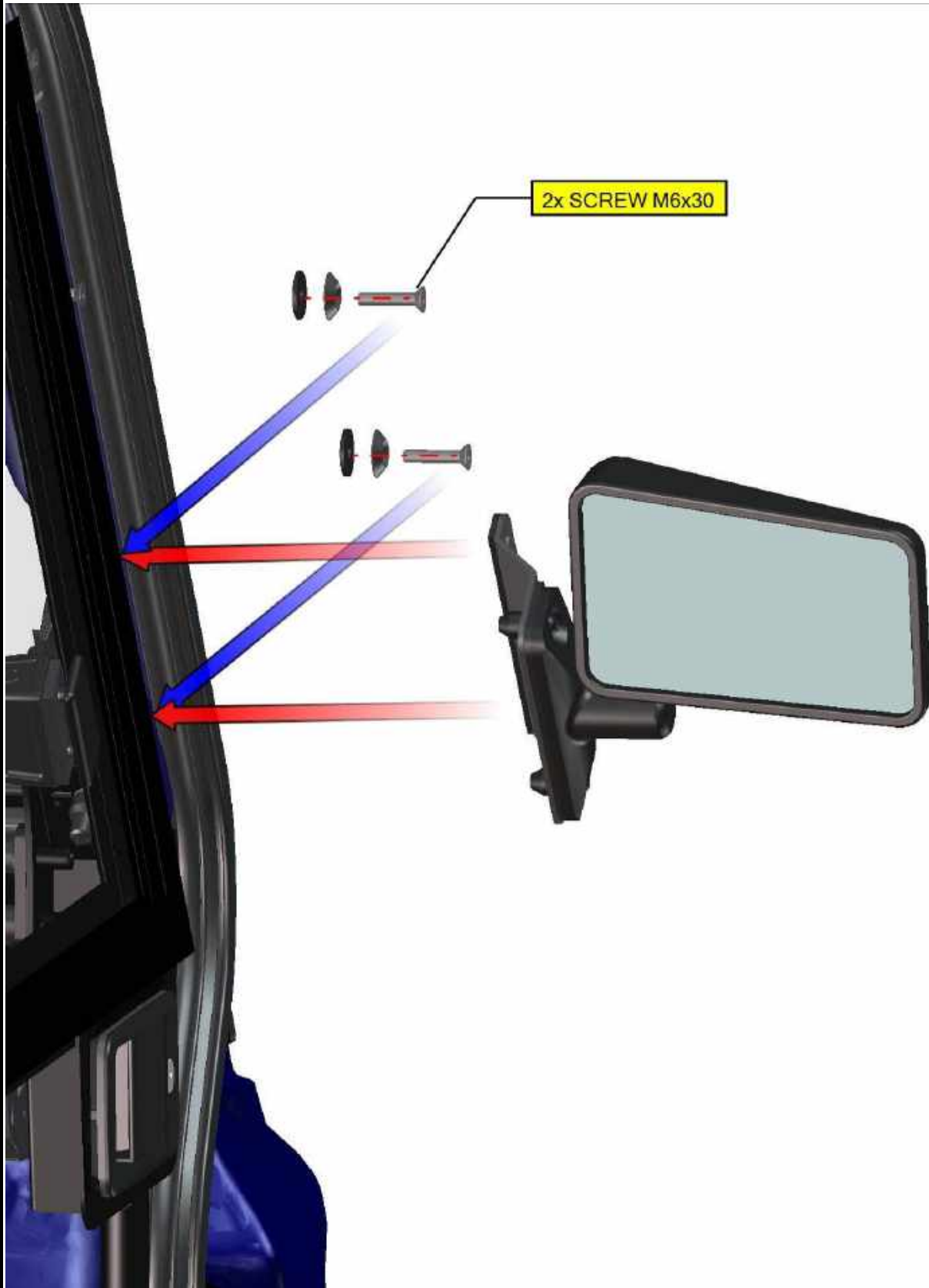
Place the mirror onto the mirror holder.



Fix the mirror with the mirror holder by included M6x20 screws, washers, nuts and covers.



Place the mirror assembly onto the right door panel. Fix the mirror assembly with the door panel by included M6x30 screws and washers.



DETAILED VIEW



REPEAT PREVIOUS STEPS ON THE LEFT SIDE.