

HardCabs

A DFK AMERICA COMPANY

INSTALLATION INSTRUCTIONS

CF MOTO **ZFORCE 800EX**



SAFETY INSTRUCTIONS

Warning: Failure to heed all safety and operating instructions and warnings regarding use of this product can result in serious bodily injury.

READ PROPERLY COMPLETE ASSEMBLY INSTRUCTIONS BEFORE STARTING OF ASSEMBLY

Install all parts indicated in assembly instructions. Failure to fully assemble product before use could result in personal injury.

Assembly of product requires use of hand or power tools. If you are not experienced in using these types of tools, have product dealer do the install for you.

Some parts contain sharp edges, wear protective gloves if necessary.

Always keep your assembly area clean, uncluttered and well lit.

Keep visitors and children a safe distance away from the assembly area. Visitors should wear the same safety equipment described under.

Never operate your UTV with the cab doors open. Failure to properly latch the doors before moving the vehicle could result in serious injury.

Dress for safety. DO NOT wear loose clothing, gloves, neckties or jewelry if using power tools to assemble this product.

Insert all nut covers after you finish installation.

Never drive your UTV with the cab front window in open position. Failure of improperly latched/locked front window before driving the vehicle could result in serious injury.

Please be careful to not break the plastic washers, if you are tightening screws with plastic washers use maximal power 3,7 foot-pound force (5 Nm)!!!

WARNING: For safety purposes, if the DFK Cab doors are removed, it is mandatory that the OEM manufactured Half Doors or Nets are **REINSTALLED** before operating the vehicle.

MAINTENANCE AND CLEANING

To clean polycarbonate surface use soapy water solution or other subtle means.

Dirt and dust wash by gently water stream and swipe only with wet or damp means in the direction from top to bottom.

The recommended frequency of cleaning of polycarbonate part is about 1 time per month or according to the actual degree of pollution.

*Do not use detergents that could scratch the surface plates.
(abrasives, harsh fabrics, etc.)*

*Do not use solvents or alkaline detergents or cleaners with ammonia
(ammonium hydroxide).*

Do not remove the impurities from the surface of the razor blades or other sharp items.

Do not clean cabine, when the polycarbonate plates are heated by the sun.

Do not use the squeegee, it could be scratched surface plates.

Do not clean the water current strength greater than 50 bar (WAP)

The manufacturer is not responsible for scratching the surface in case of failure to comply with the above instructions.

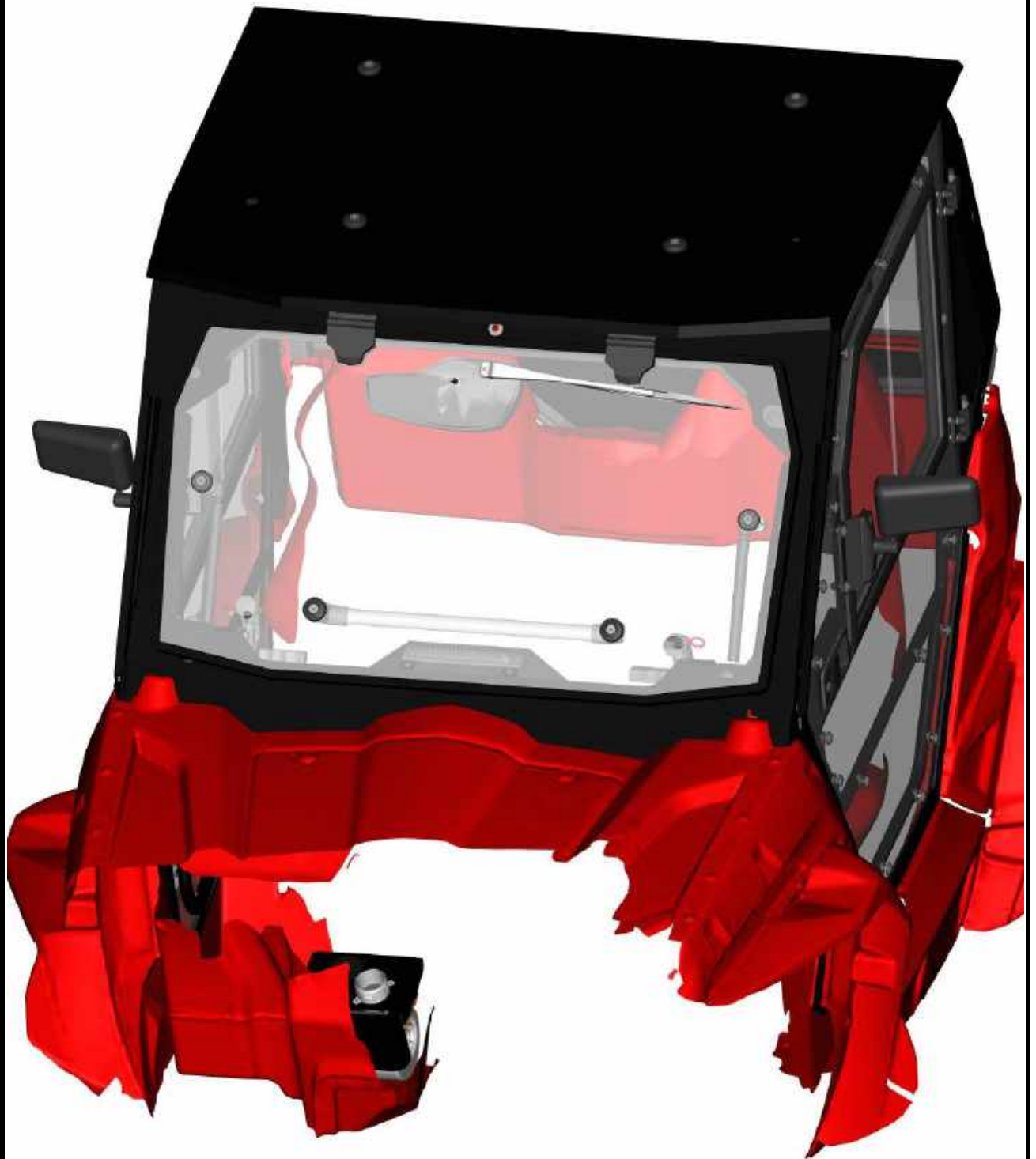
All bolted connections of cab must be by user at regular intervals checked and tightened.

Please be carefull to not broken the plastic washers, if you tightening screws with plastic washers use maximal power 3,7 foot-pound force (5 Nm)!!!

PREPARATION FOR INSTALLATION:

Uninstall all additional systems from the roller cages (work lights, rear mirrors, drink holders, seats etc.)

[CAB PREVIEW](#)



4

Uninstall safety ledge (blue line) from the UTV rollercage on both sides.



ELECTROINSTALLATION 1.
HEATER

Need to installation (included)

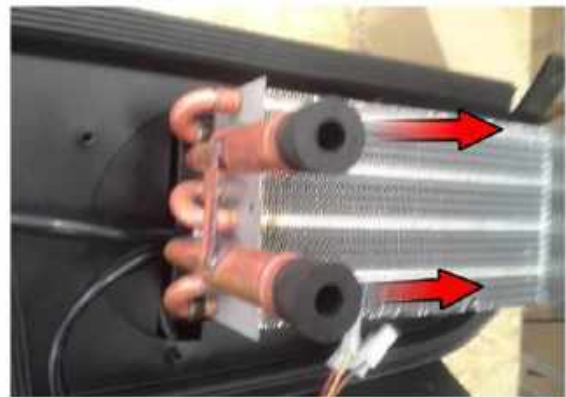


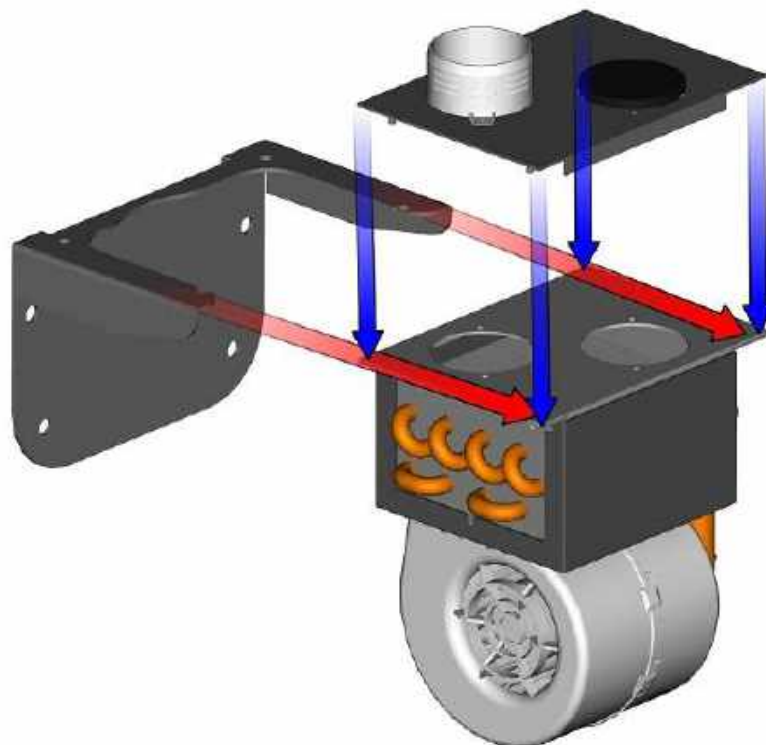
Remove front boot plastic cover.



TAKE OUT THE RUBBER PLUGS FROM HEATER TUBES.



Install the heater assembly into the heater holder.



Fix the heater assembly with the heater holder by included nuts and washers.



Place the heater assembly into the best position under the dashboard.

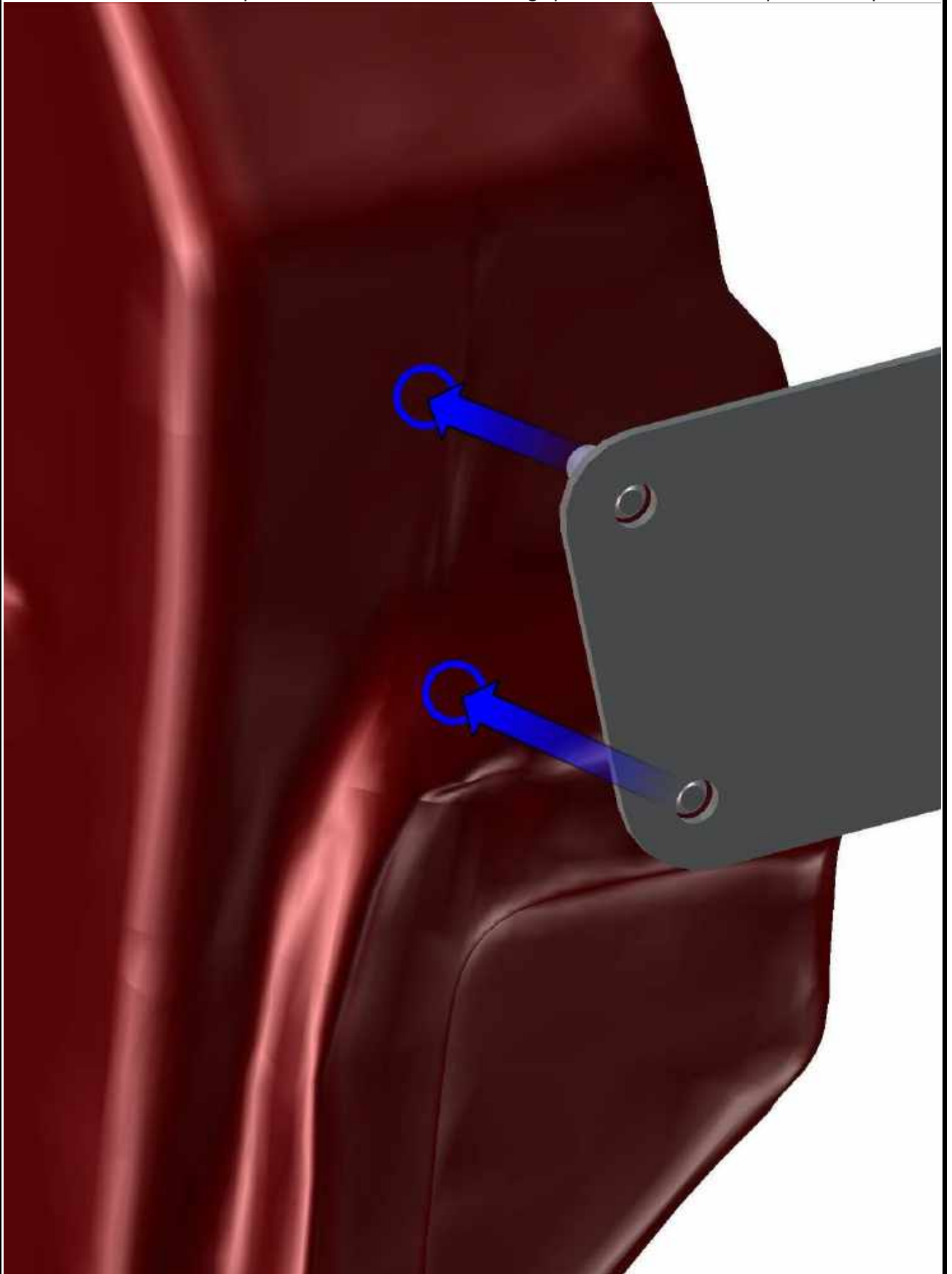


10

Make marks onto the front bottom plastic cover in accordance with the heater holders holes on both sides.
Drill holes $\varnothing 8,5\text{mm}$ into the marks centers.



From the front boot space insert the heater holder ledge pins into the holes from previous step.



12

Cut hole \varnothing 50mm into the dashboard bottom cover \varnothing 50mm into the best position for the air hose PVC.



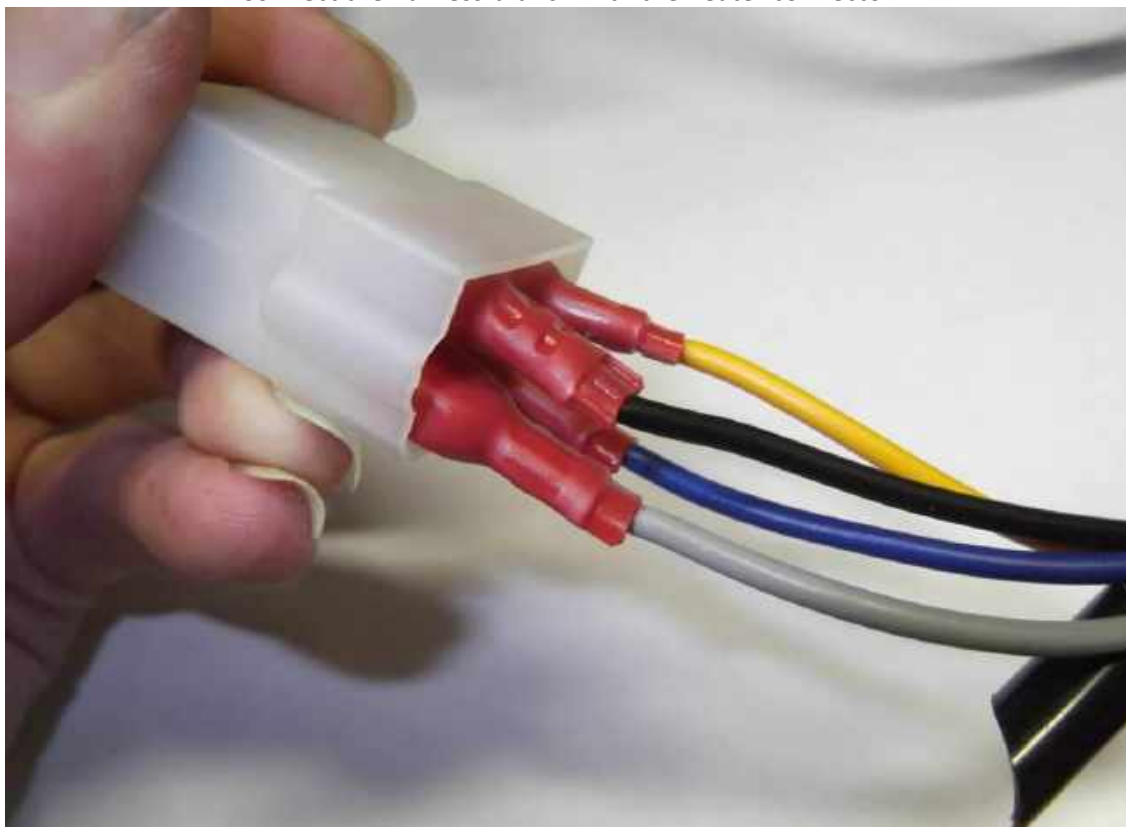
Install the air hose PVC onto the heater air tube and fix by included aluminium tape.



Install the heater assembly onto the heater holder ledge pins and fix by included nuts and washers.
Lead the heater harness under the dashboard.



Connect the harness branch with the heater connector.



Uninstall the UTV glovebox from the dashboard (blue circle).



15

Carefully cut hole $\varnothing 50\text{mm}$ for the air vent into the dashboard (blue circle), hole position must be chosen in order the hole have to be hidden under the air vent cover. Lead the air hose PVC through the hole.



16

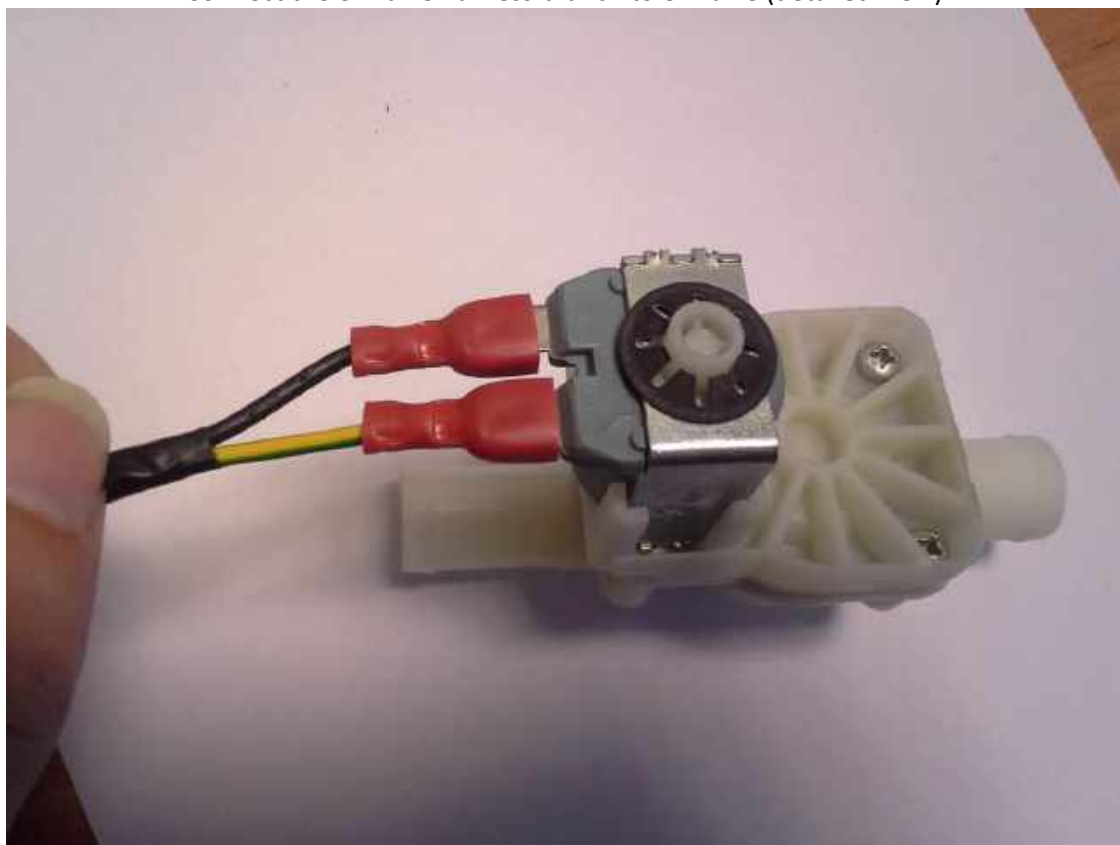
Install the air hose holder (picture below) onto the air hose PVC and fix by tightening strap. Press the air hose holder into the dashboard hole.



Install el. valve onto the heater hose and fix by tightening straps.



Connect the el. valve harness branch to el. valve (detailed view).



Drill 2 holes $\varnothing 25\text{mm}$ into the inner front wall in accordance with the heater hoses pass (red circle).



Connect the bended hoses with the heater and with the el.valve on one side and to the heater hoses pass on the other side and fix by tightening straps.



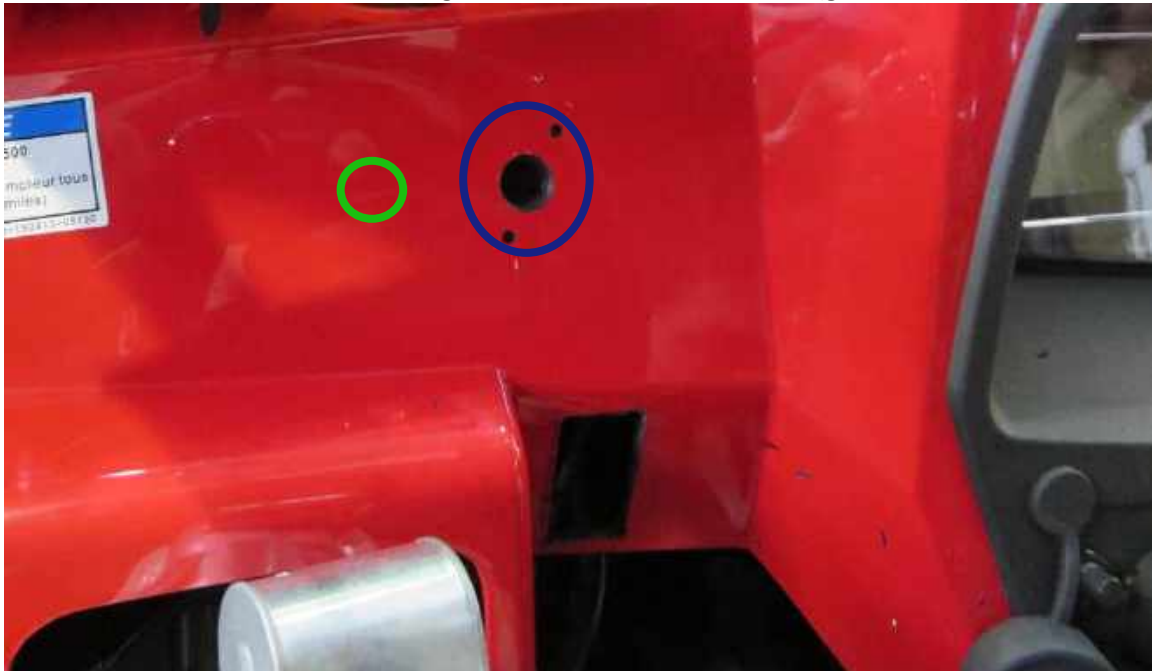
Connect the heater hoses to the heater hoses pass and fix by tightening straps.



Cut the original engine cooling system hoses and insert "Y" couplings. Install the heater hoses onto the "Y" couplings. Fix both by included tightening straps.

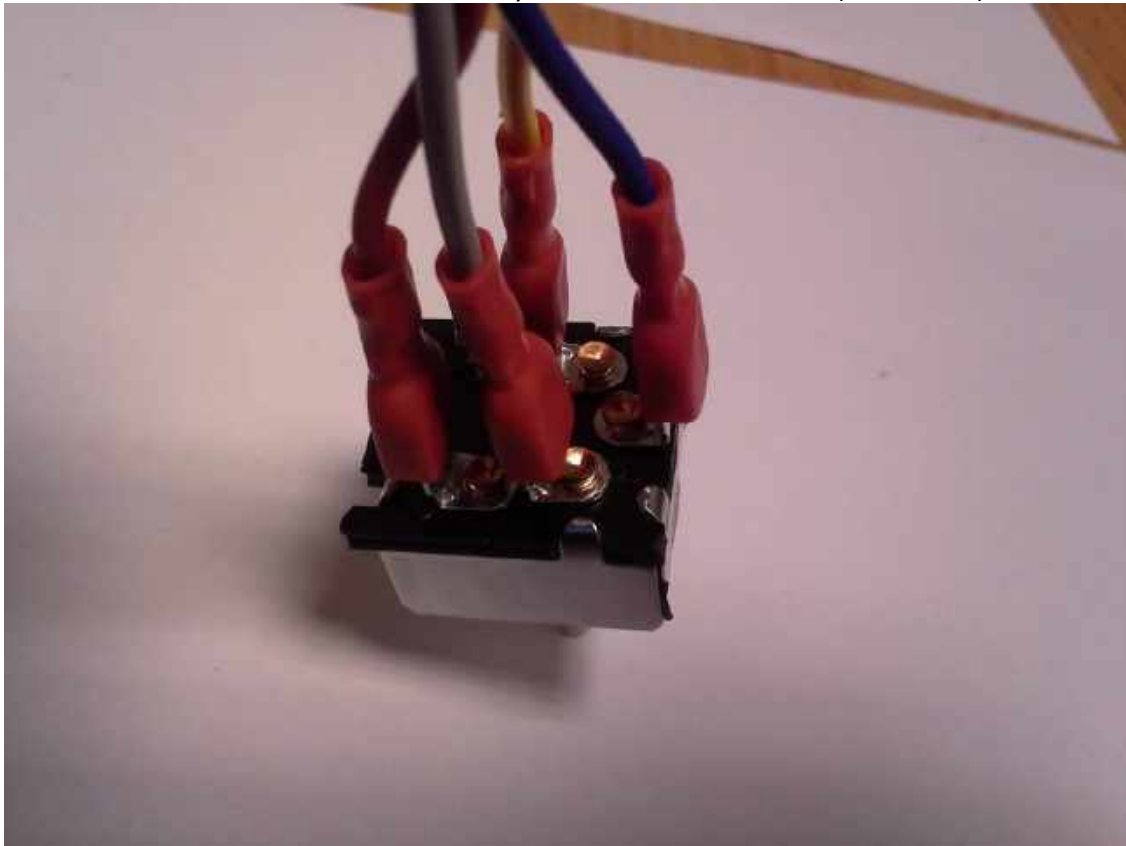


Drill 1 hole \varnothing 11,5-14mm (0,45-0,55 in) and 2 holes \varnothing 2,5-4 mm (0,1- 0,16 in) into the dashboard in accordance with the heater switch base(blue circle). Drill the hole \varnothing 25 mm into the dashboard for the el.valve. Place the selfglued stick onto the dashboard (green circle).

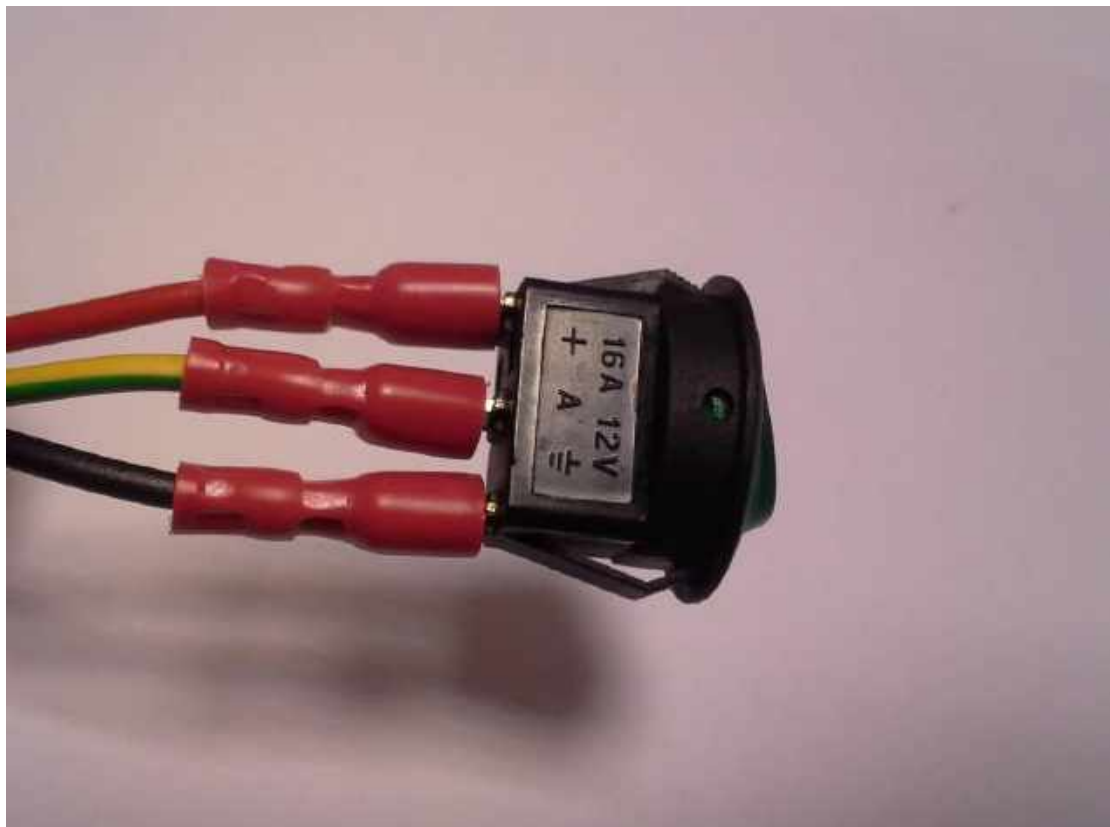


SEE NEXT PAGES

Connect the heater switch body with the harness branch. (Detail view)



Connect the harness branch with the el.valve switch. (Detail view)
Press the el. valve switch into the hole.



Install the heater switch body from inner side into the hole. Install the switch base and switch head onto the switch body.



Connect the heater harness to the relay harness.



Connect the relay harness to the original electro installation (detailed view).



Lead the single relay harness branch to the central panel and connect it with the original electroinstallation.



DETAILED VIEW



It is absolutely necessary to bleed the air out of the UTV's engine cooling system. Incomplete bleeding of cooling system can result in engine damage. If you don't have sufficient experience with this process, we strongly recommend professional service technician assistance. We are not responsible for damages when cooling system bled incompletely. Please note that additional heater system will absorb more than 2 liters of coolant fluid.

- 1. Important: After the heater system installed check the system for leaks. Turn on the electric vent switch and confirm that the engine is cold. Start the engine and wait until engine warms up.***

Important: Always check engine temperature – if it overheats turn off engine.

- 2. To achieve engine operating temperature depress the accelerator to increase the engine RPM. This will increase the pressure and flow of the water pump forcing more coolant through the heater. After operating temperature reaches turn off engine and open it. Trapped air should come out from heater system throughout cooler. Repeat this procedure until heater/cooling system is completely bled out. Fill the cooling liquid into the cooler very carefully.***

COOLER CAP IS HOT, USE GLOVES

The DFK Cab heater, like the heater in a car, generates heat from the vehicle's engine.

In nearly all cases, the heater should generate enough heat from your UTV, side by side, or tractor engine that you may need to turn the heater off periodically otherwise the air in the cabin may be too hot.

It is important to check the coolant level regularly at least 4-5 times during the first several days of operation and fill as necessary until the coolant level has stabilized.

The heater will draw and retain coolant, sometimes at the expense of coolant to the engine. This can cause engine overheating if not managed properly.

WIPER/WASHER 1.

Drill hole $\varnothing 8\text{mm}$ (0,33-0,38in) into the plastic boot cover wall and install washer tank holder "Ω" by included screw, washer and nut. Drill hole $\varnothing 16\text{mm}$ (0,66-0,7in) into the plastic cover wall. Lead the washer harness through the hole and install the washer tank onto the holder. Install plastic boot cover back.

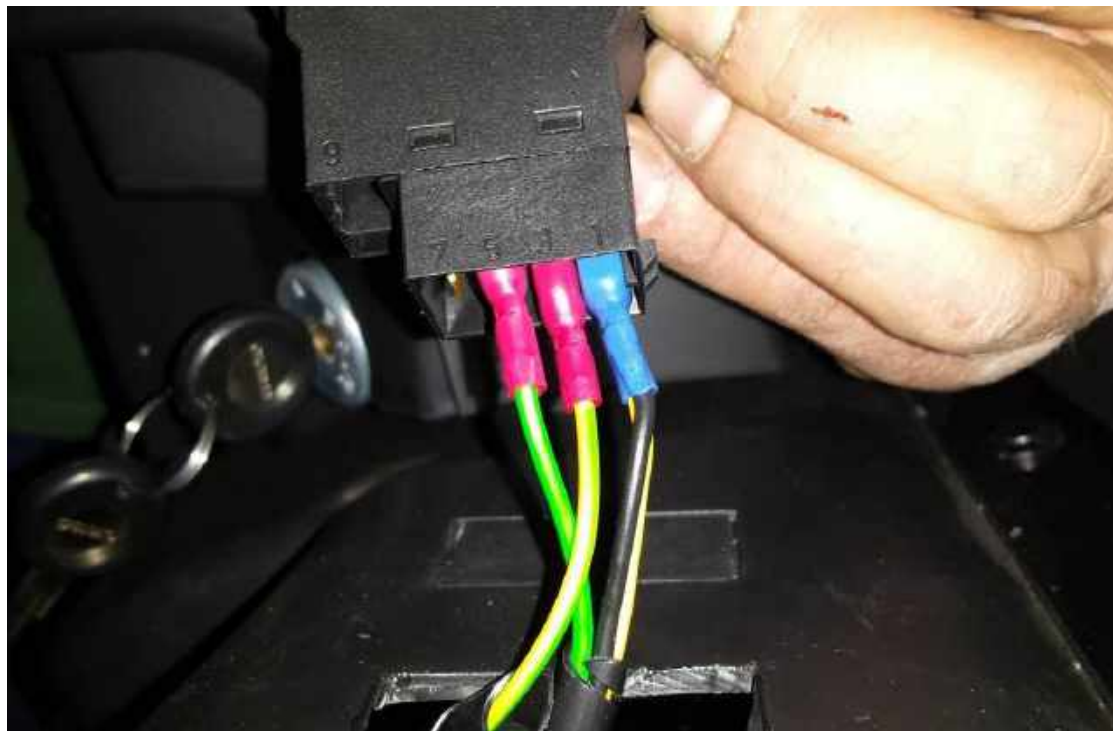


26

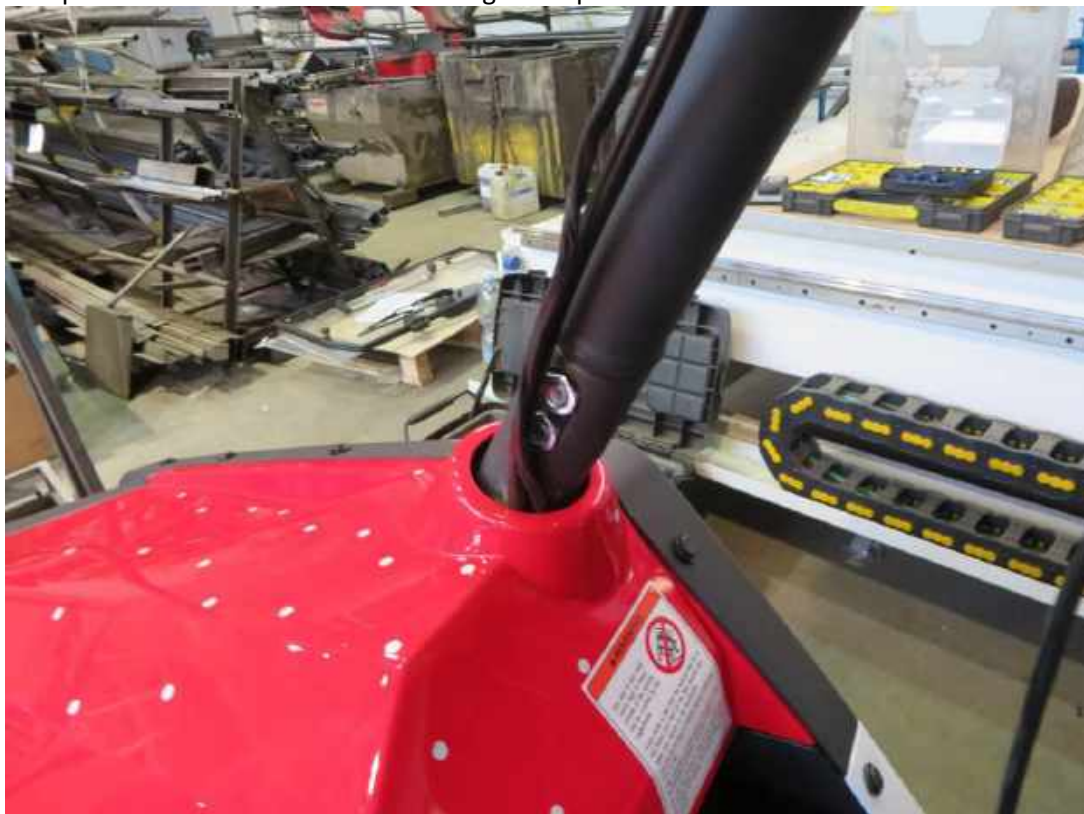
Install the wiper/washer switch into the dashboard, if you don't have original hole, cut the rectangle 44,1x22,1mm into the dashboard into the best position (green rectangle).



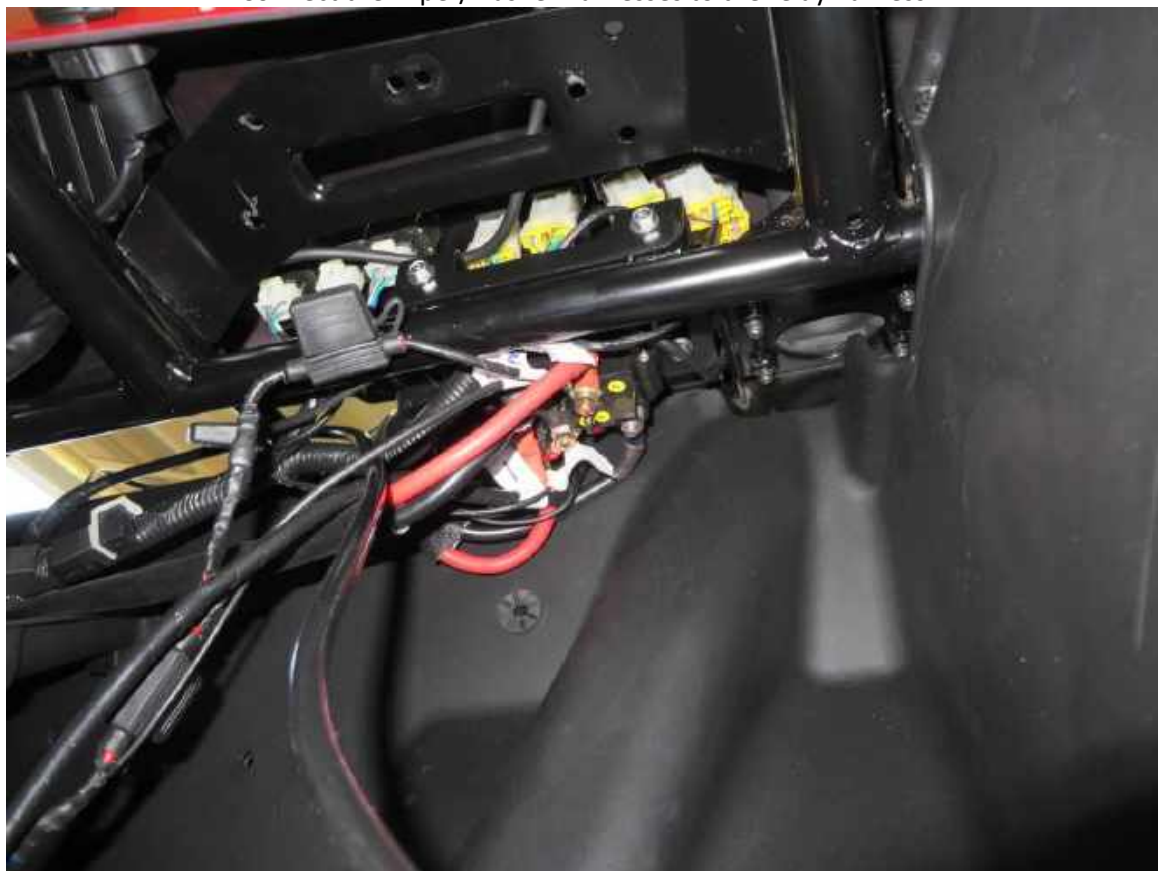
Run the wiper harness through the switch hole. Connect the wiper and the washer harnesses with the switch and press the switch into the dashboard.



Run the washer hose and wiper harness under the dashboard to the right side.
Run the wiper harness and washer hose through the space between the dashboard and UTV rollerage.



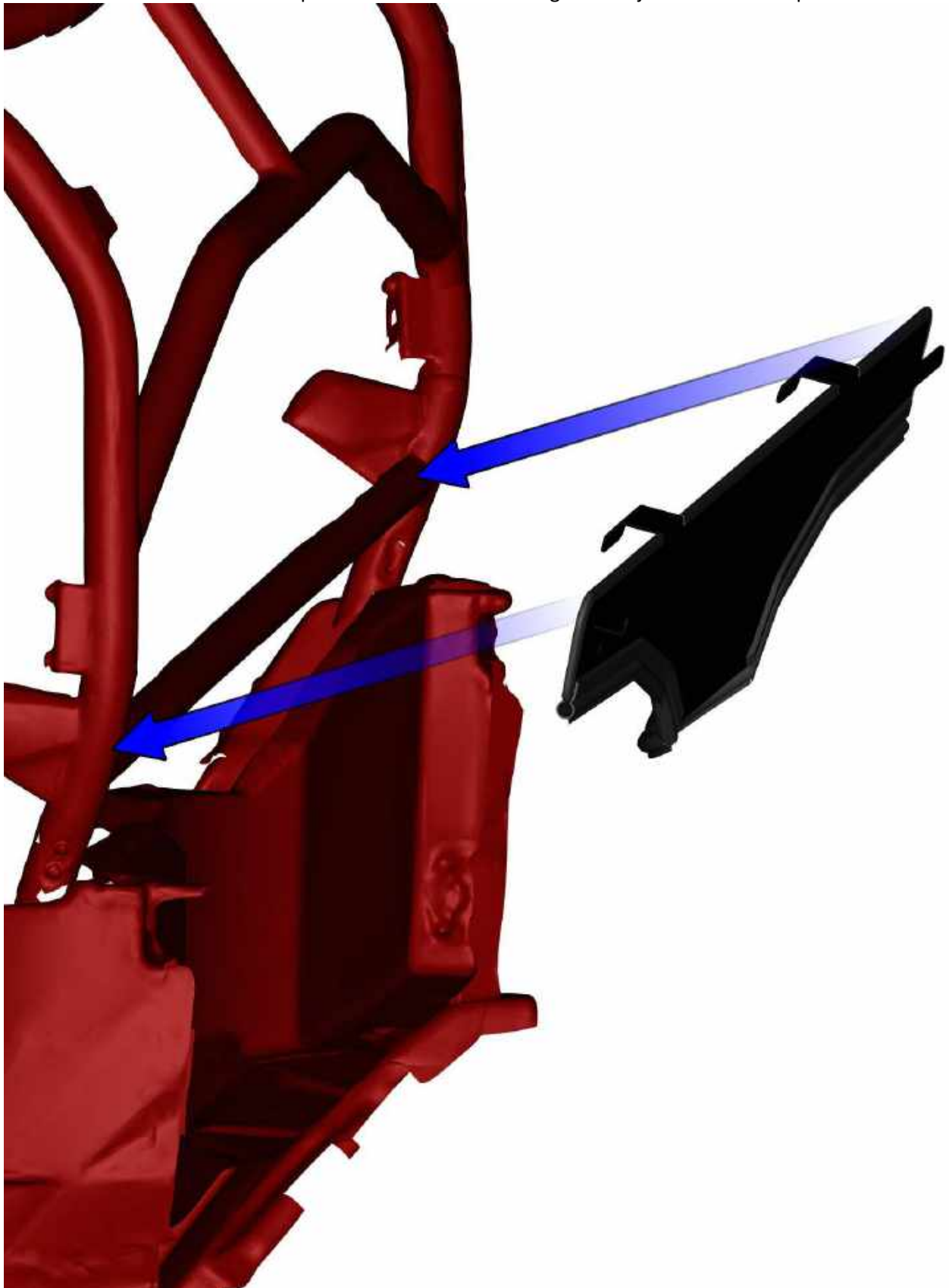
Connect the wiper/washer harnesses to the relay harness.



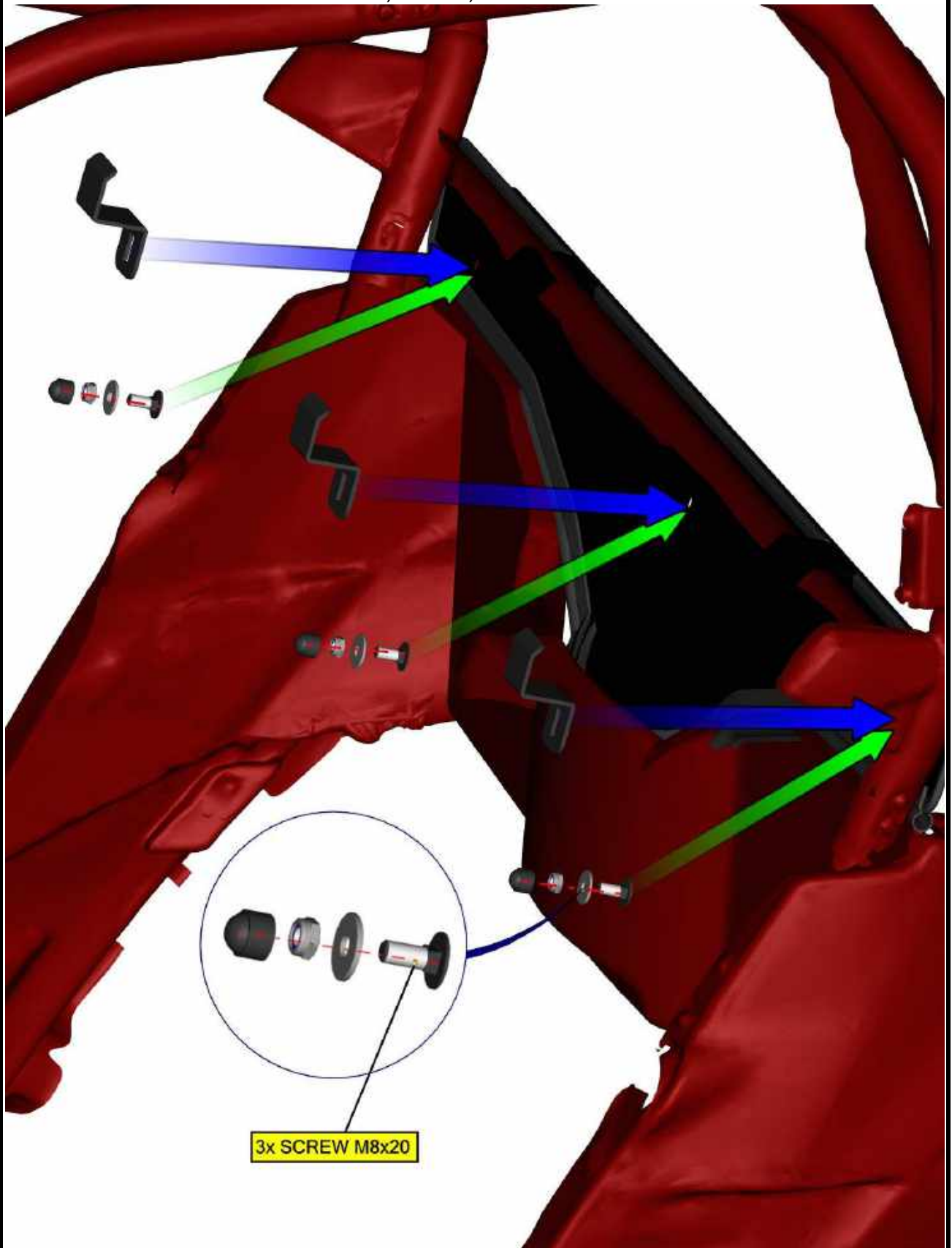
BEFORE FIRST USAGE FILL THE WASHER TANK WITH THE WASHER LIQUID.

REAR PANEL 1.

Place the rear bottom panel onto the UTV rollercage and adjust into the best position.



Place the rear bottom panel holders onto the rear bottom panel and fix the holders by included screws, washers, nuts and covers.



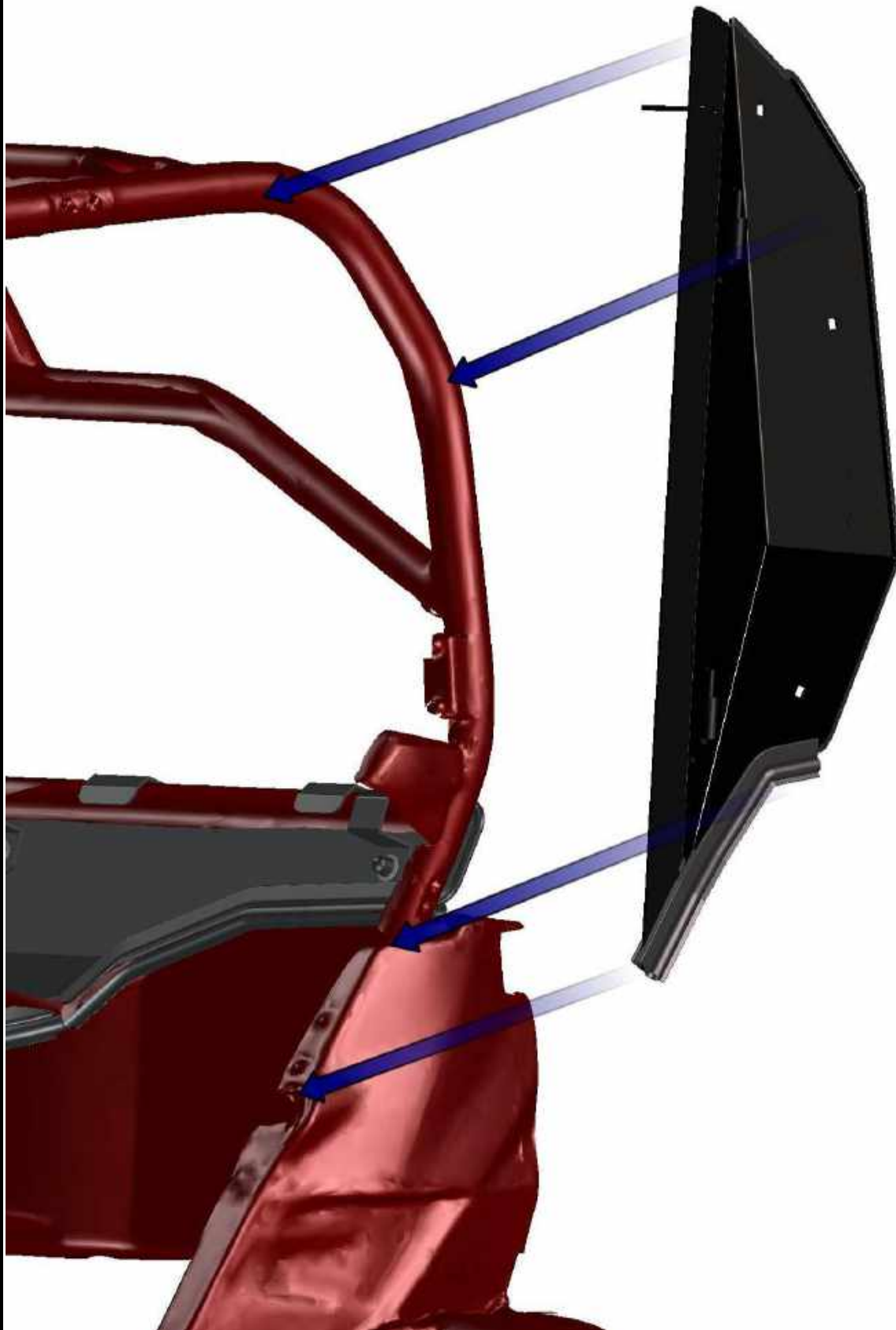
30

LEFT DOOR + RIGHT DOOR 1.

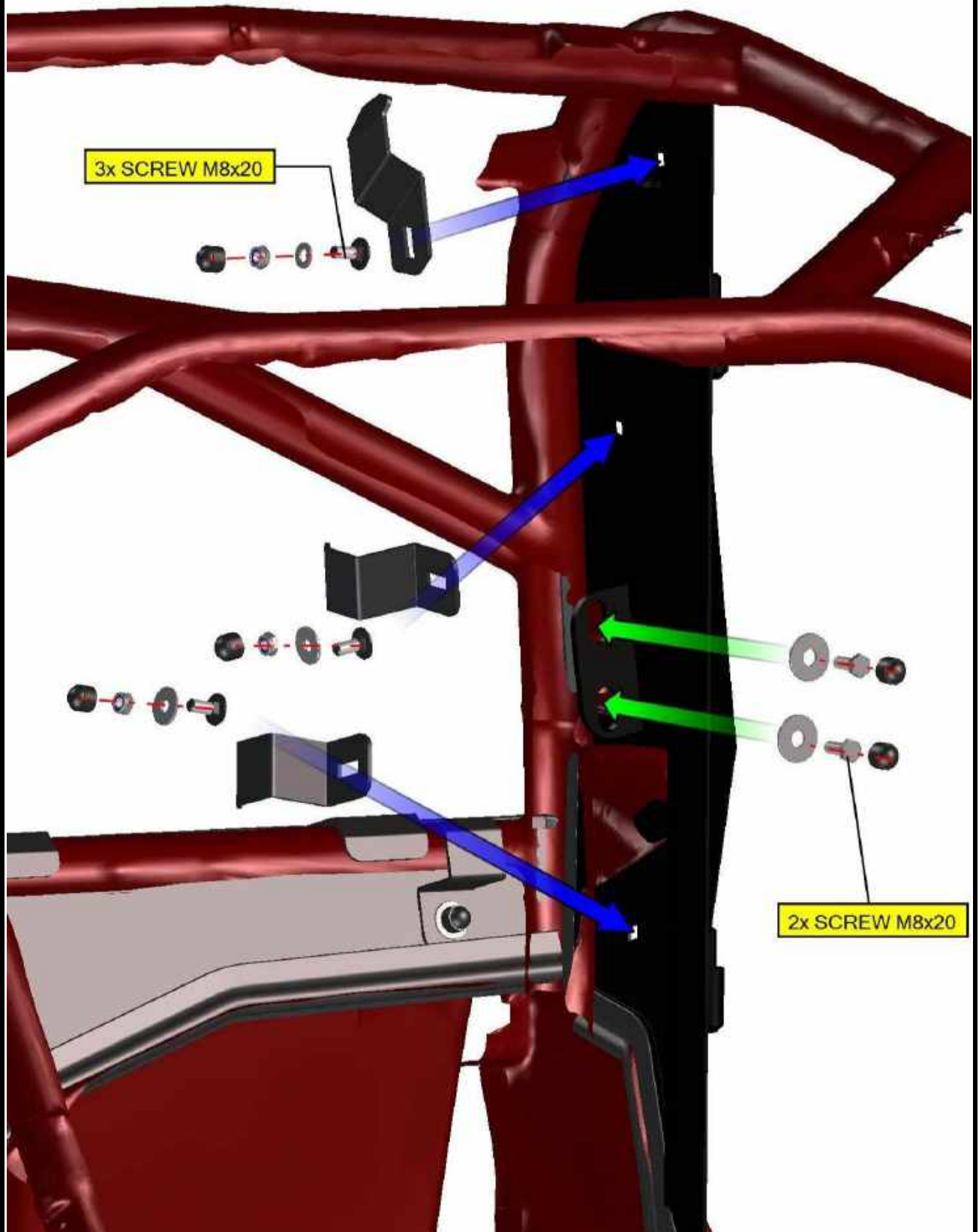
Remove original screws from the UTV rollercage (red circle) on both sides.



Place the left door base onto the roller cage and adjust the door base into the best position.



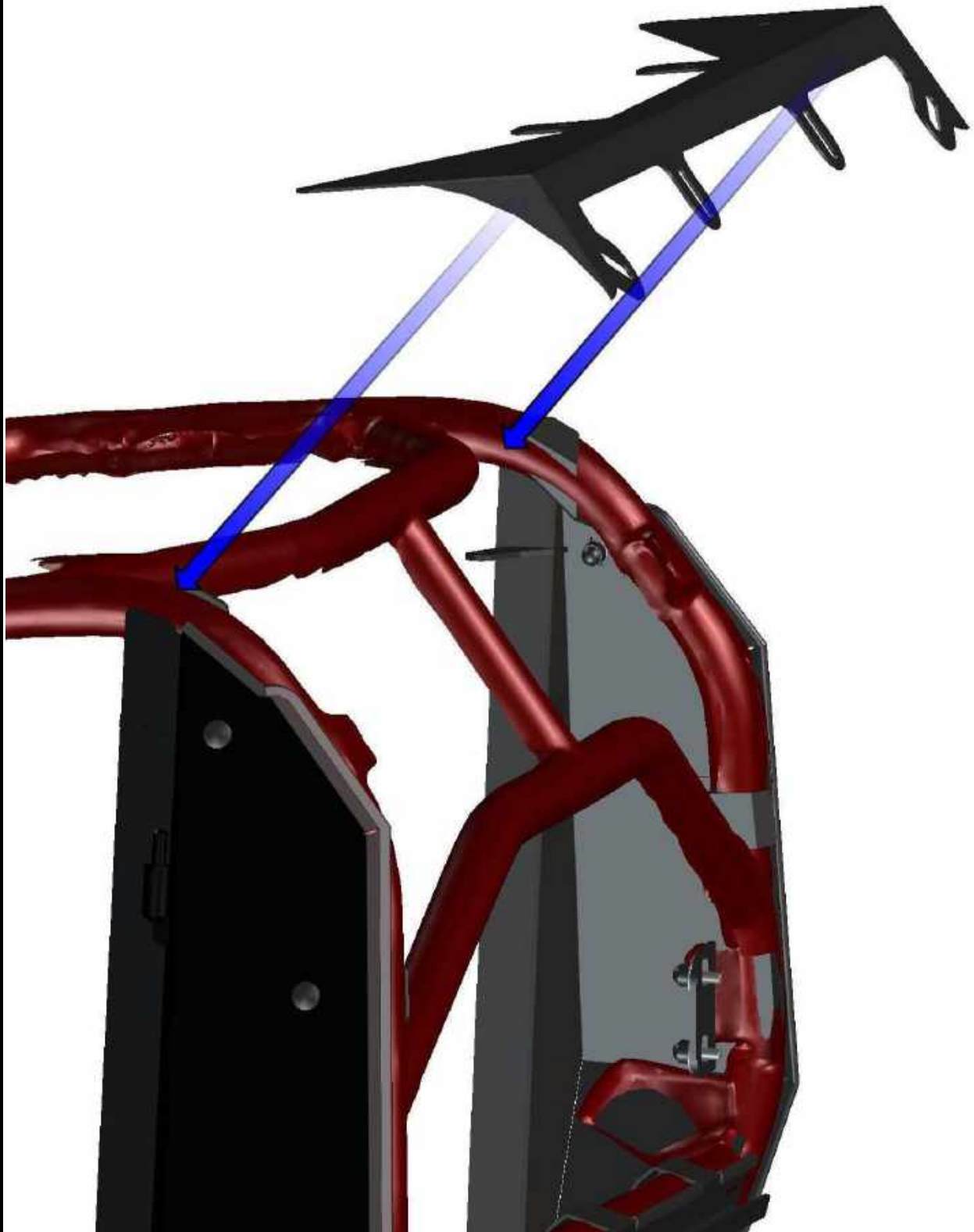
Fix the left door base with the UTV rollercage by original screws (green arrows) and by included holders, screws, washers, nuts and covers (blue arrows).



REPEAT PREVIOUS STEPS WITH THE RIGHT DOOR BASE.

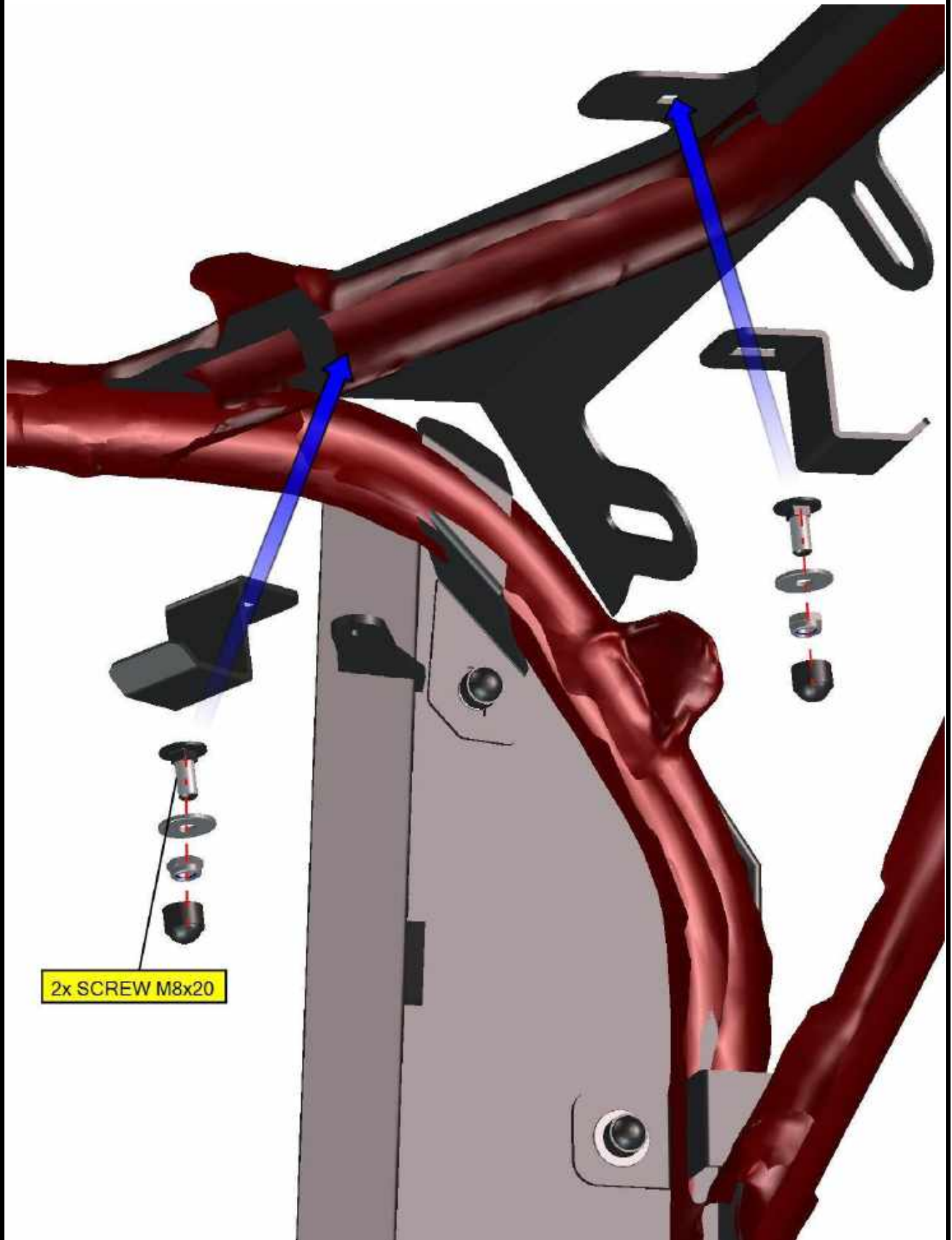
REAR PANEL 2.

Place the rear upper ledge onto the UTV rollercage.



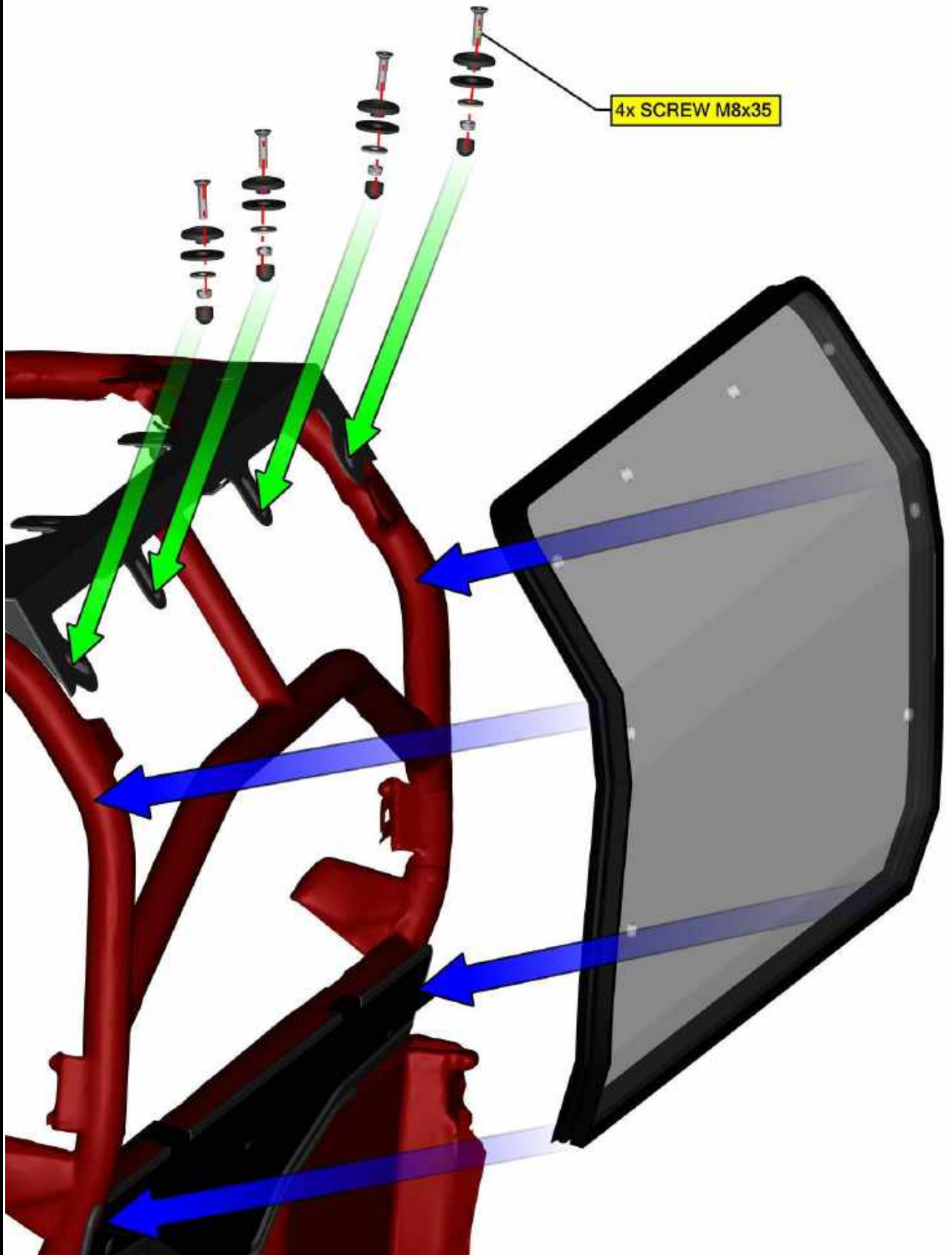
34

Fix the rear upper ledge by with the UTV rollercage by included holders, screws, washers, nuts and covers on both sides.

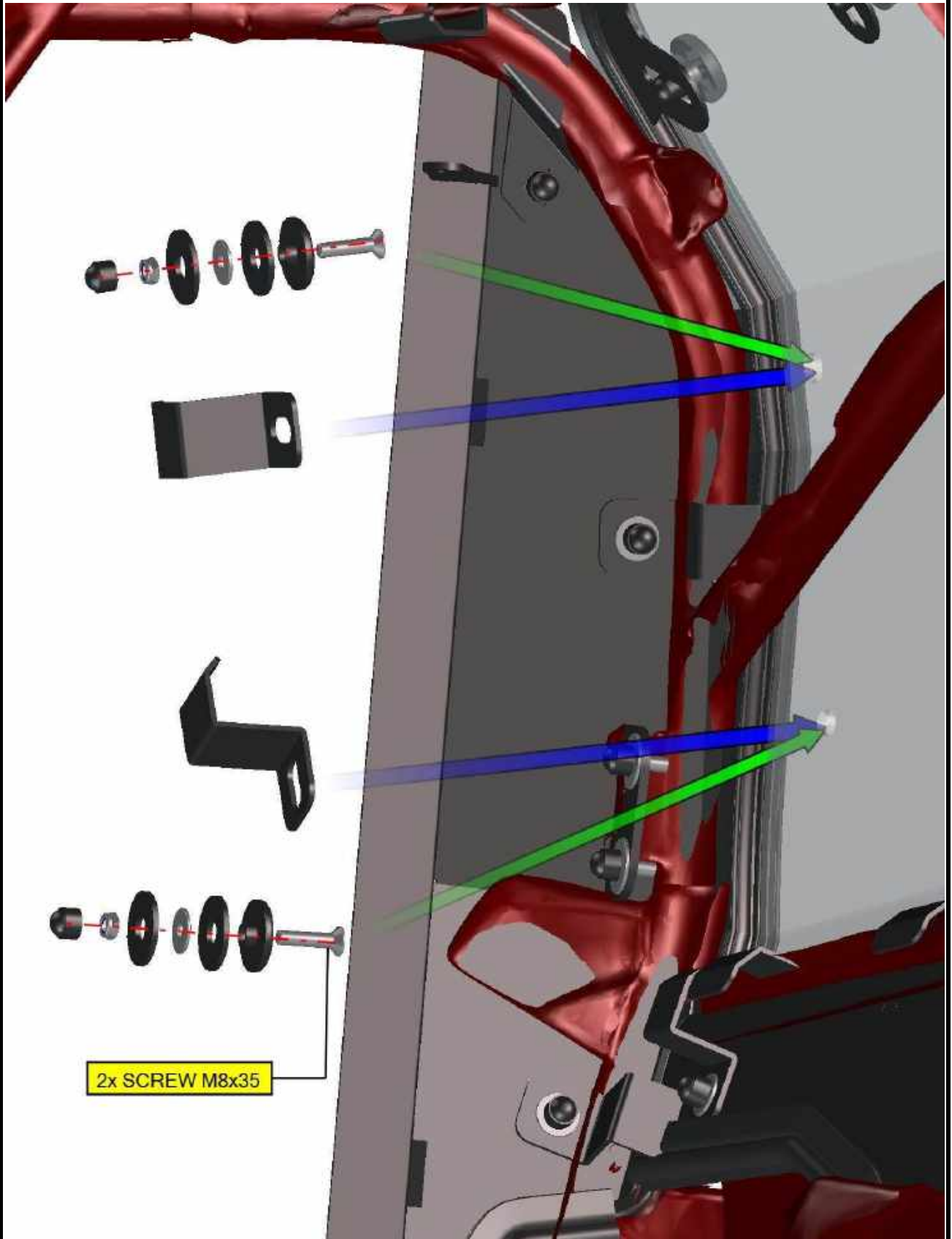


35

Place the rear window assembly onto the UTV rollercage and fix it with the rear upper ledge by included screws, washers, nuts and covers.

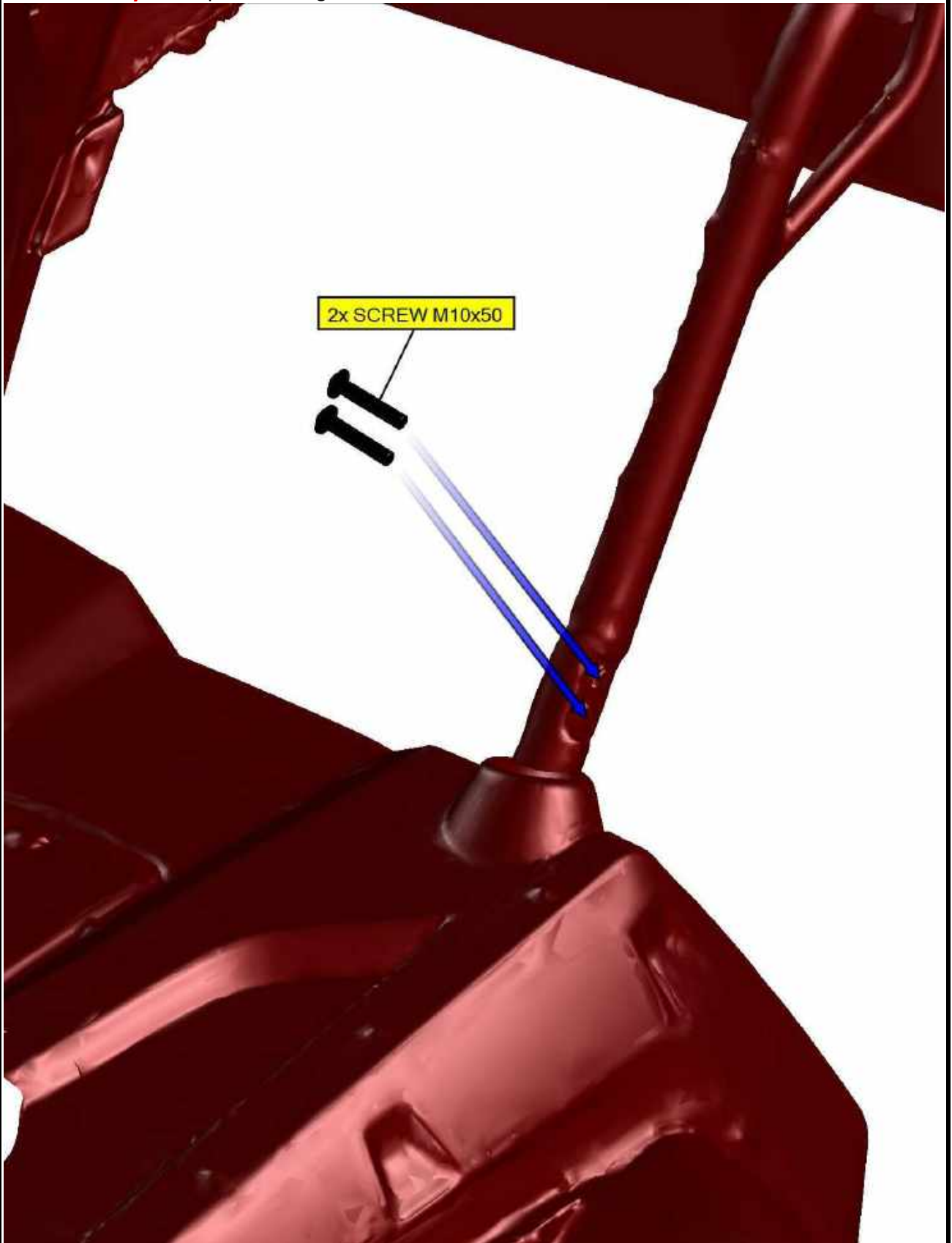


Fix the rear window assembly with the UTV rollercage by included holders, screws, washers, nuts and covers.

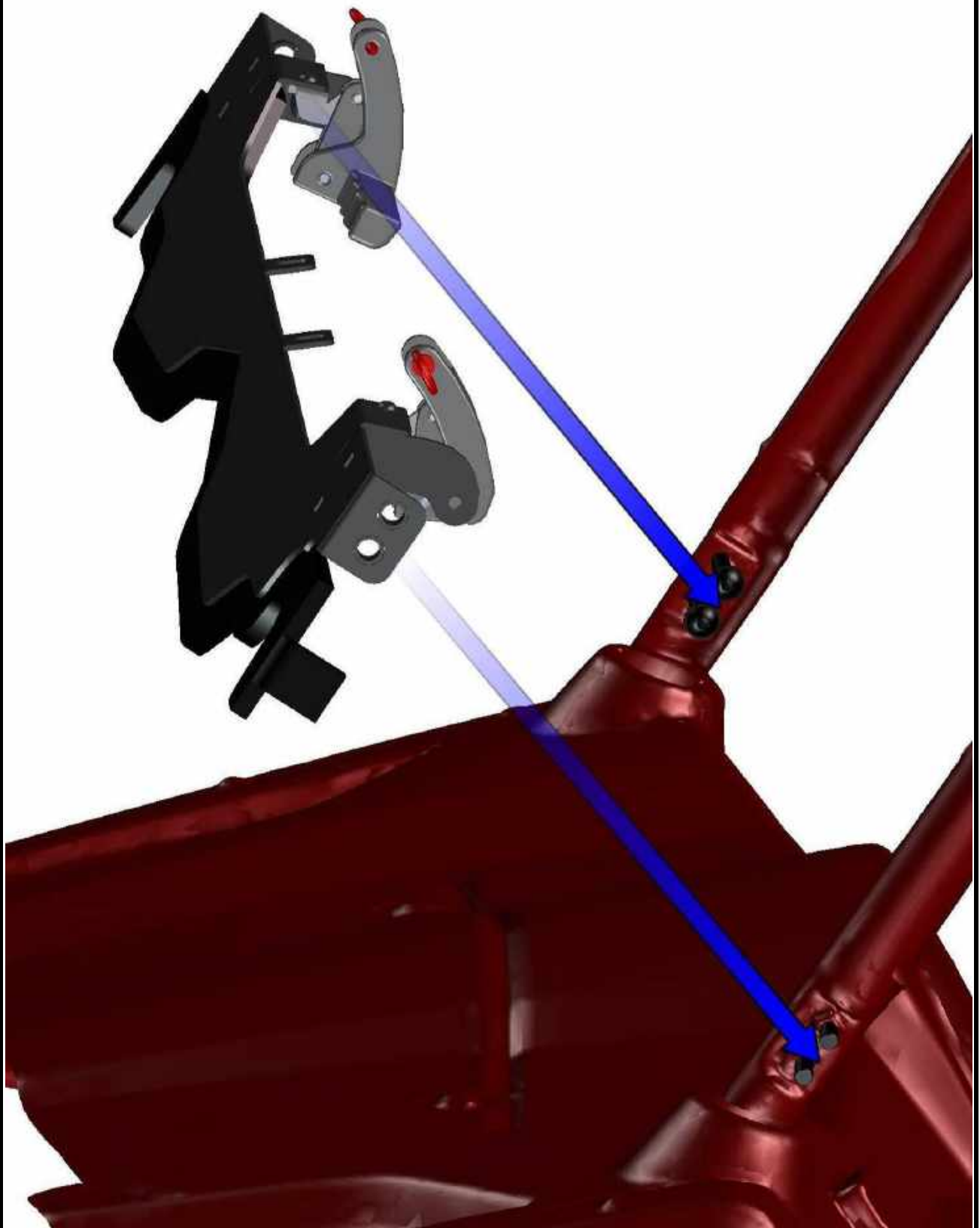


FRONT PANEL

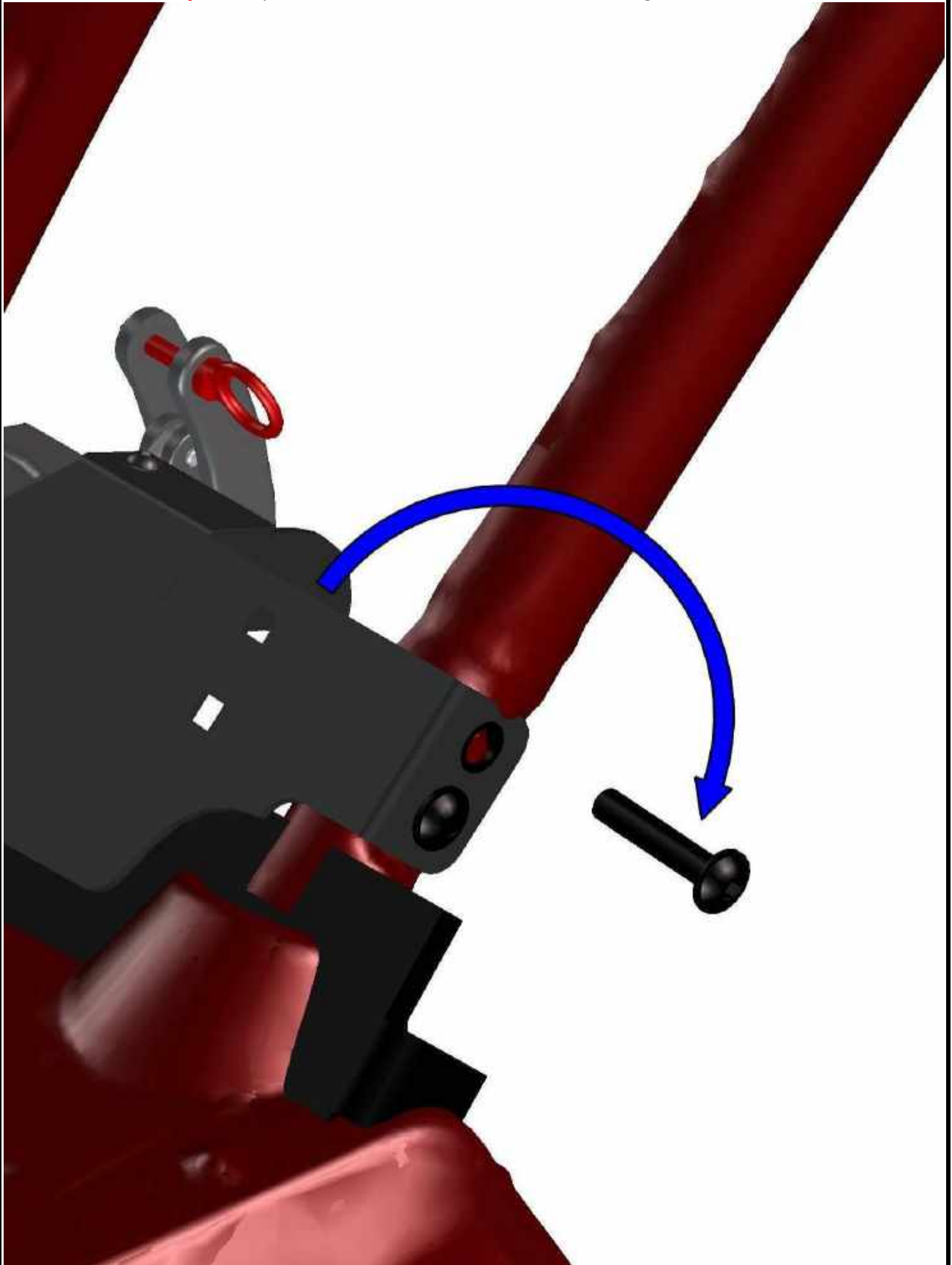
One by one replace the original screws with included screws from inner side on both sides.



Place the front bottom ledge assembly onto the UTV rollercage.

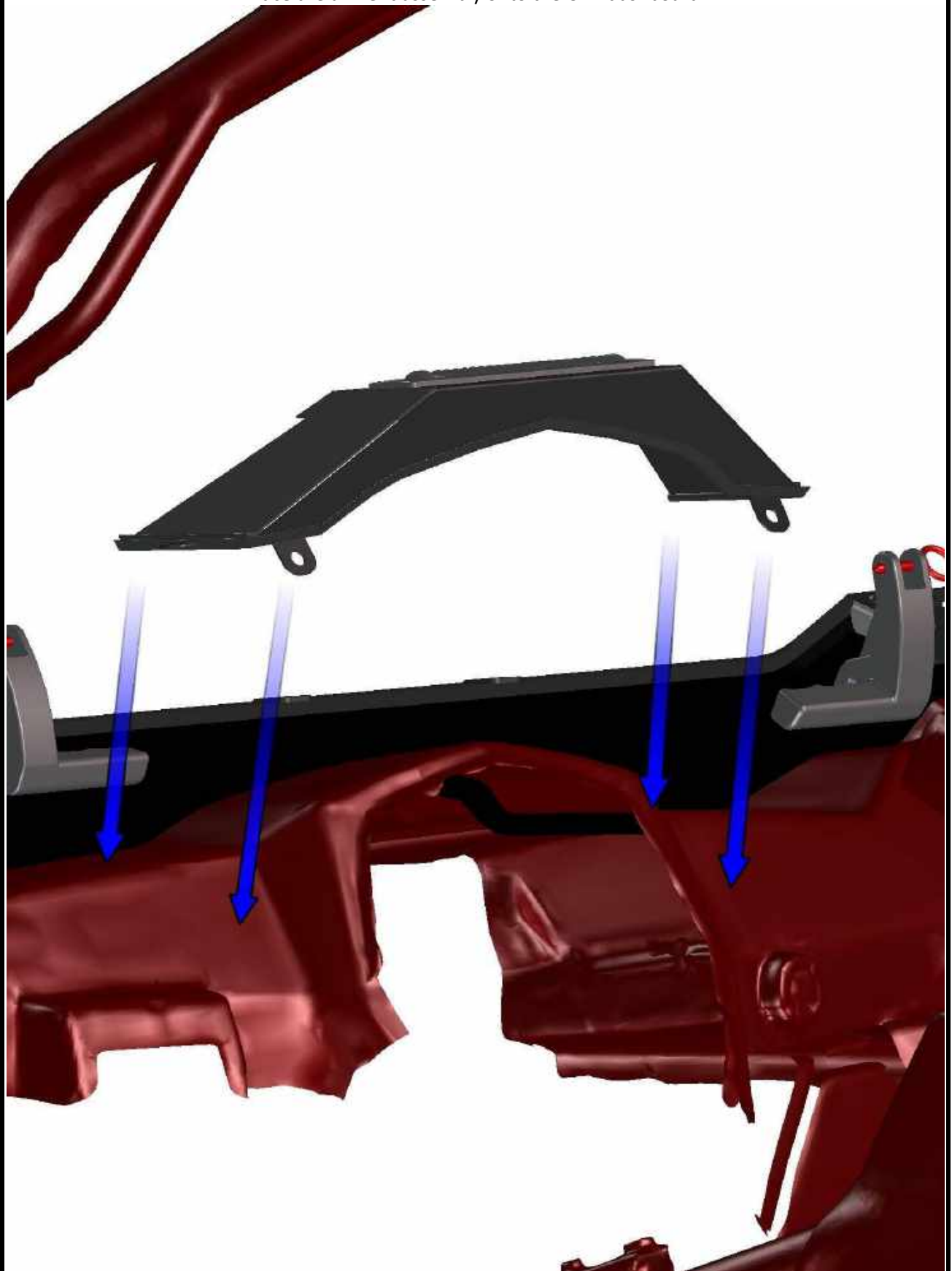


One by one replace the screws from the outer side and tighten on both sides.



40

Place the air vent assembly onto the UTV dashboard.

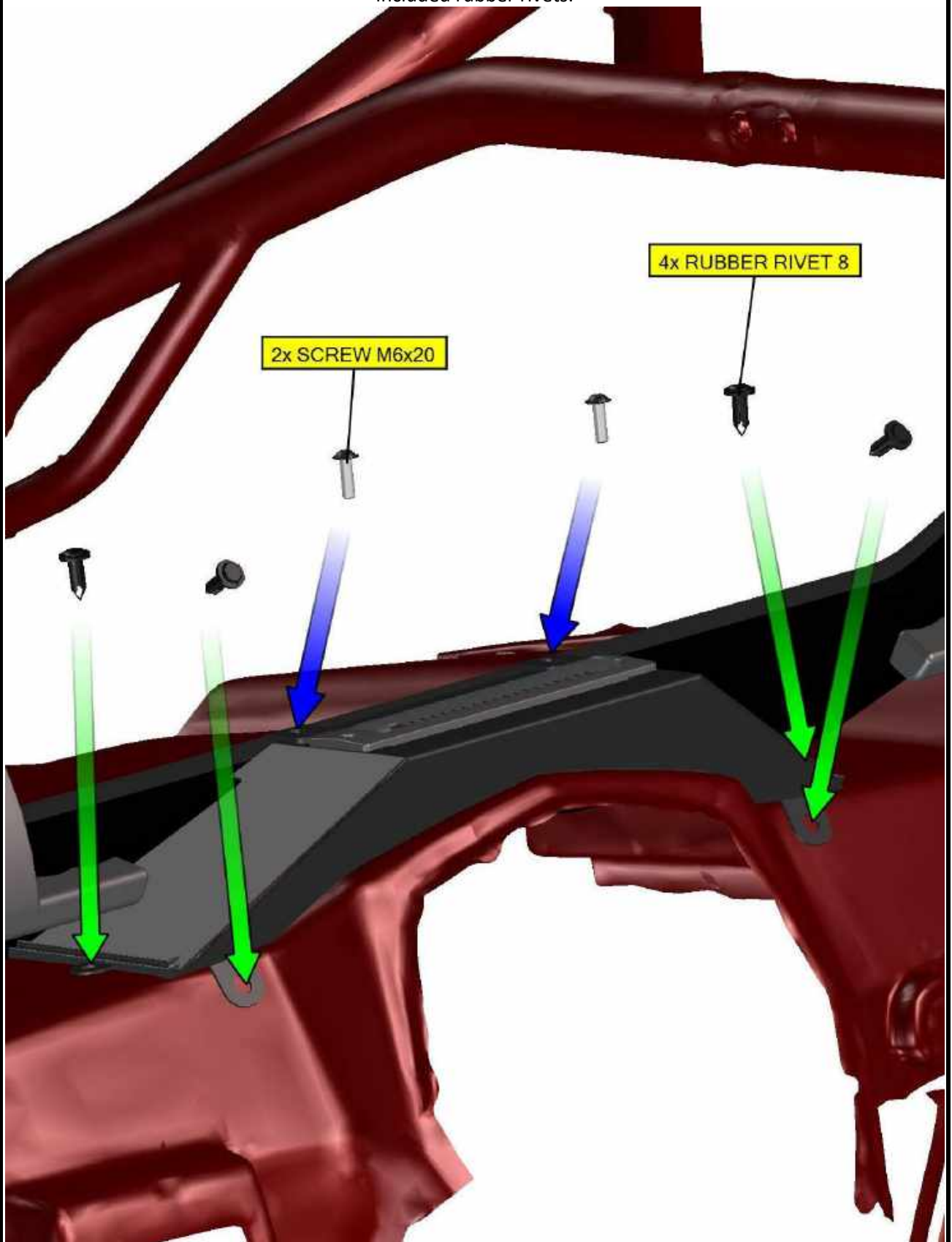


41

Make marks on the dashboard in accordance with the air vent assembly holes on both sides.
Remove the assembly and drill holes $\varnothing 8\text{mm}$ into the marks centers

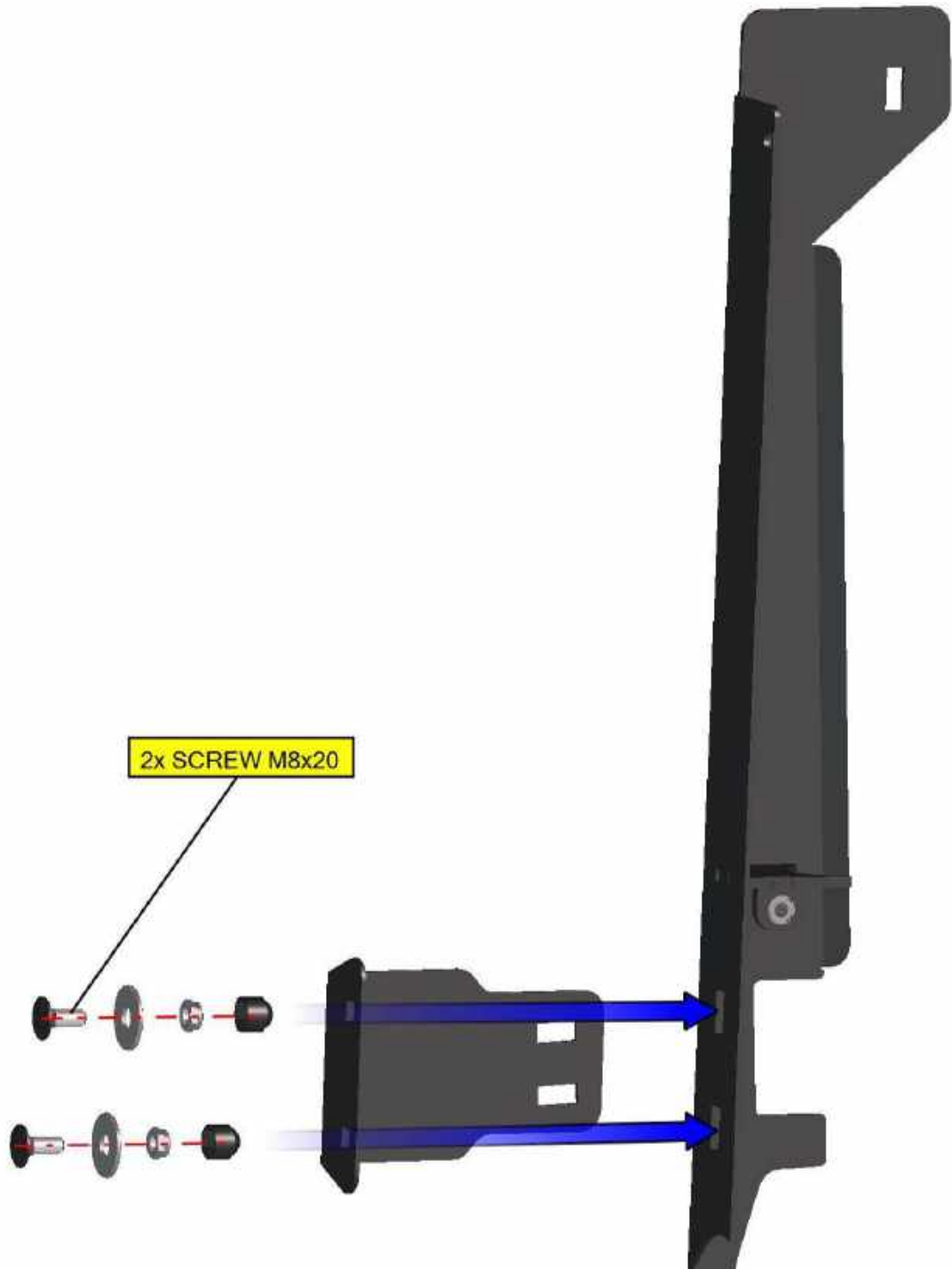


Fix the air vent assembly with the front bottom ledge by included screws and with the dashboard by included rubber rivets.

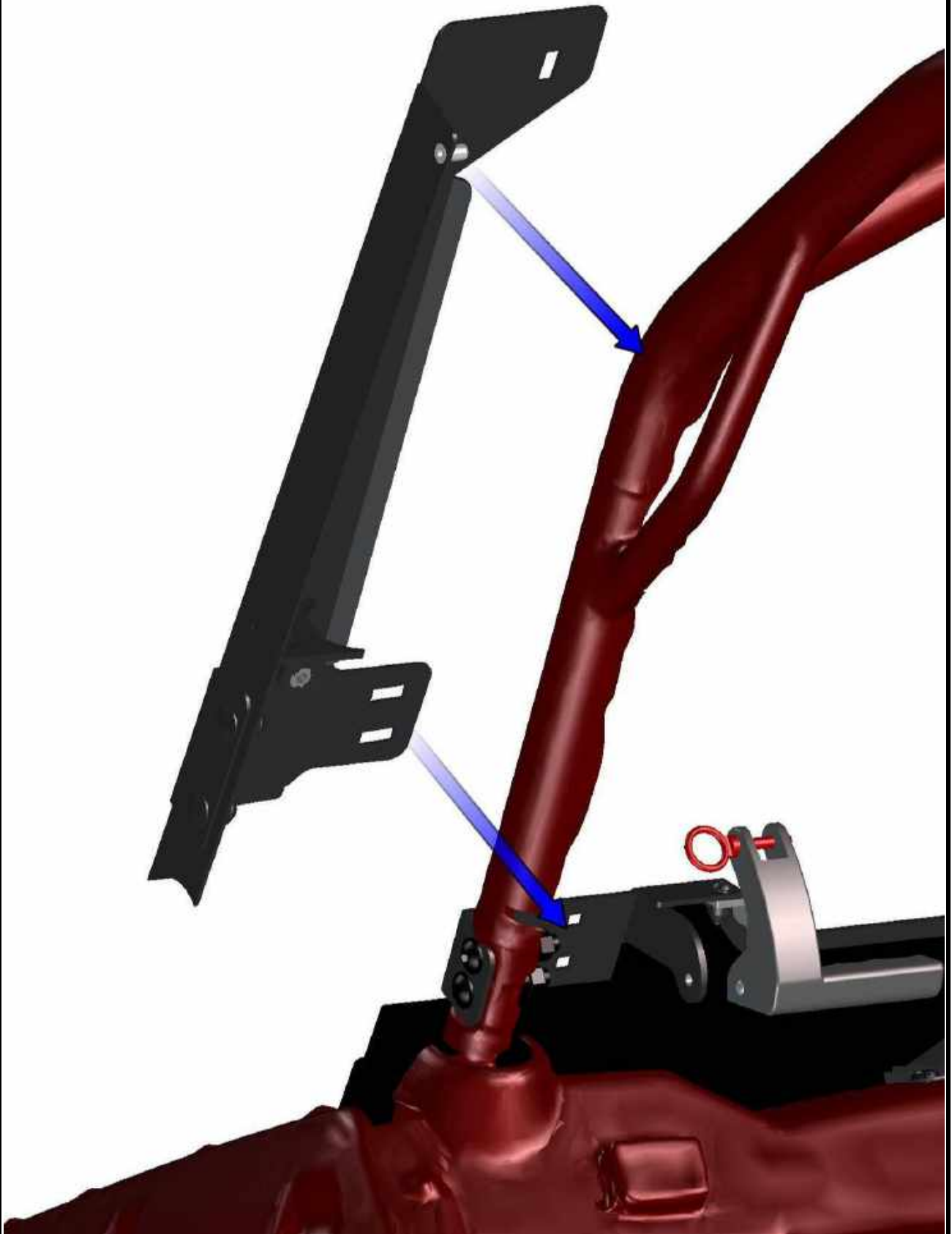


43

Install the front left ledge holder onto the front left ledge and fix by included screws, washers, nuts and covers.

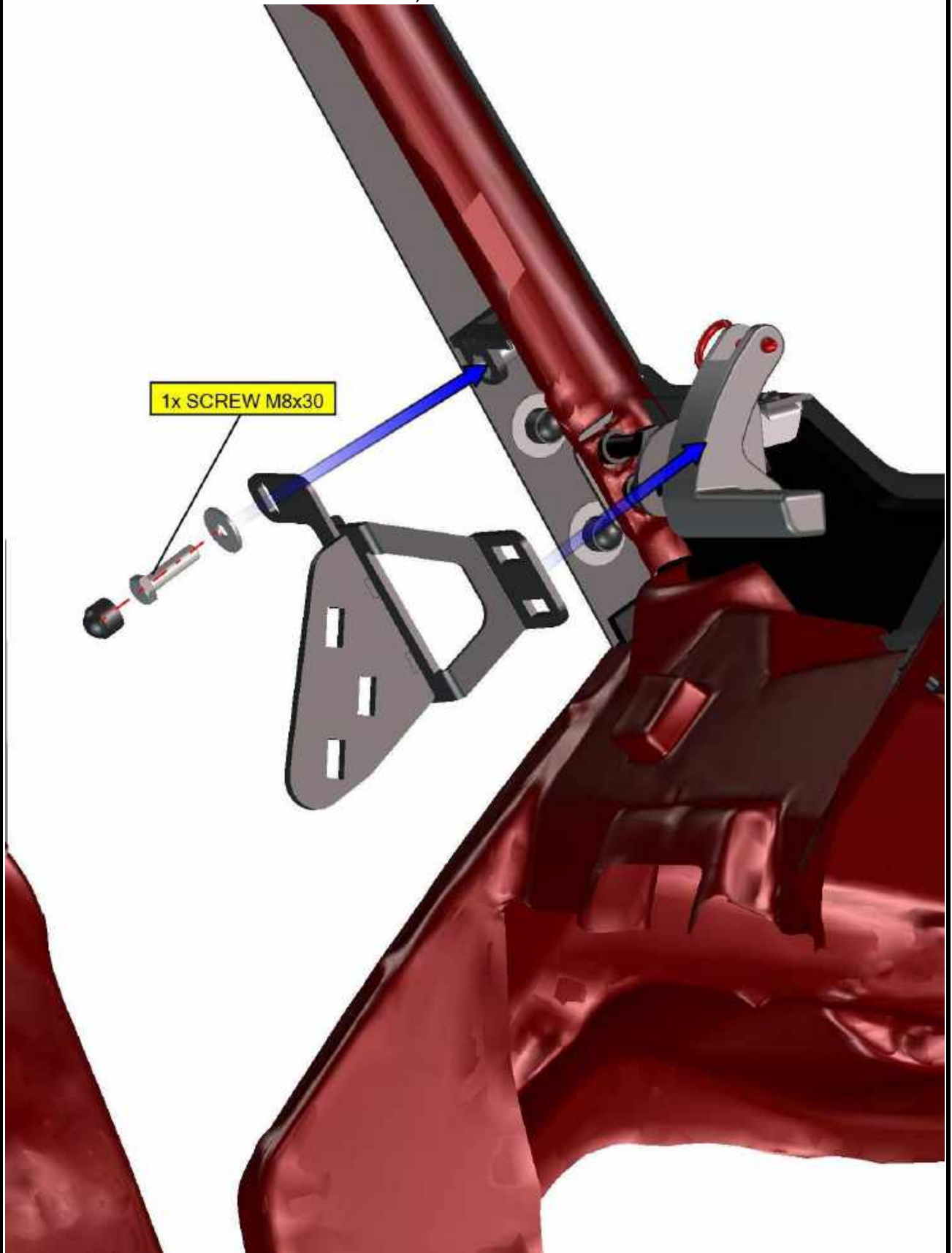


Place the front left ledge assembly onto the UTV rollercage.

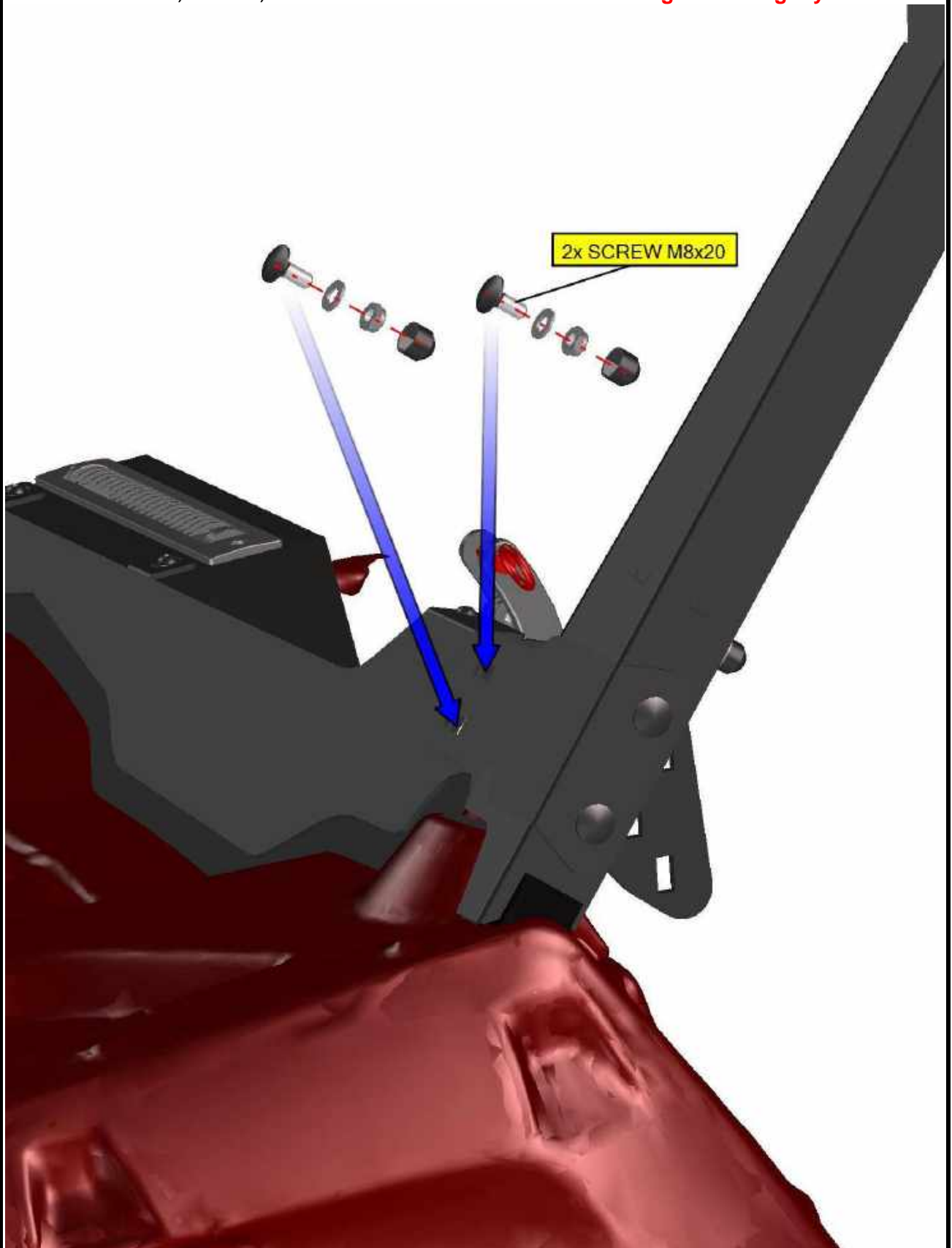


45

Place the front bottom ledge holder into the position and fix it with the front left ledge by included screw, washer and cover.



Fix the front left ledge assembly and front bottom ledge holder with front bottom ledge by included screws, washers, nuts and covers. **The screws should be tightened slightly.**



Repeat previous steps with the front right ledge assembly.



ELECTROINSTALLATION 2.

WIPER SET

View onto the wiper motor with the cover and with the middle ledge.



Place the washer onto the wiper longer pin.



Place the washer onto shorter wiper pin.



View onto installed washers.



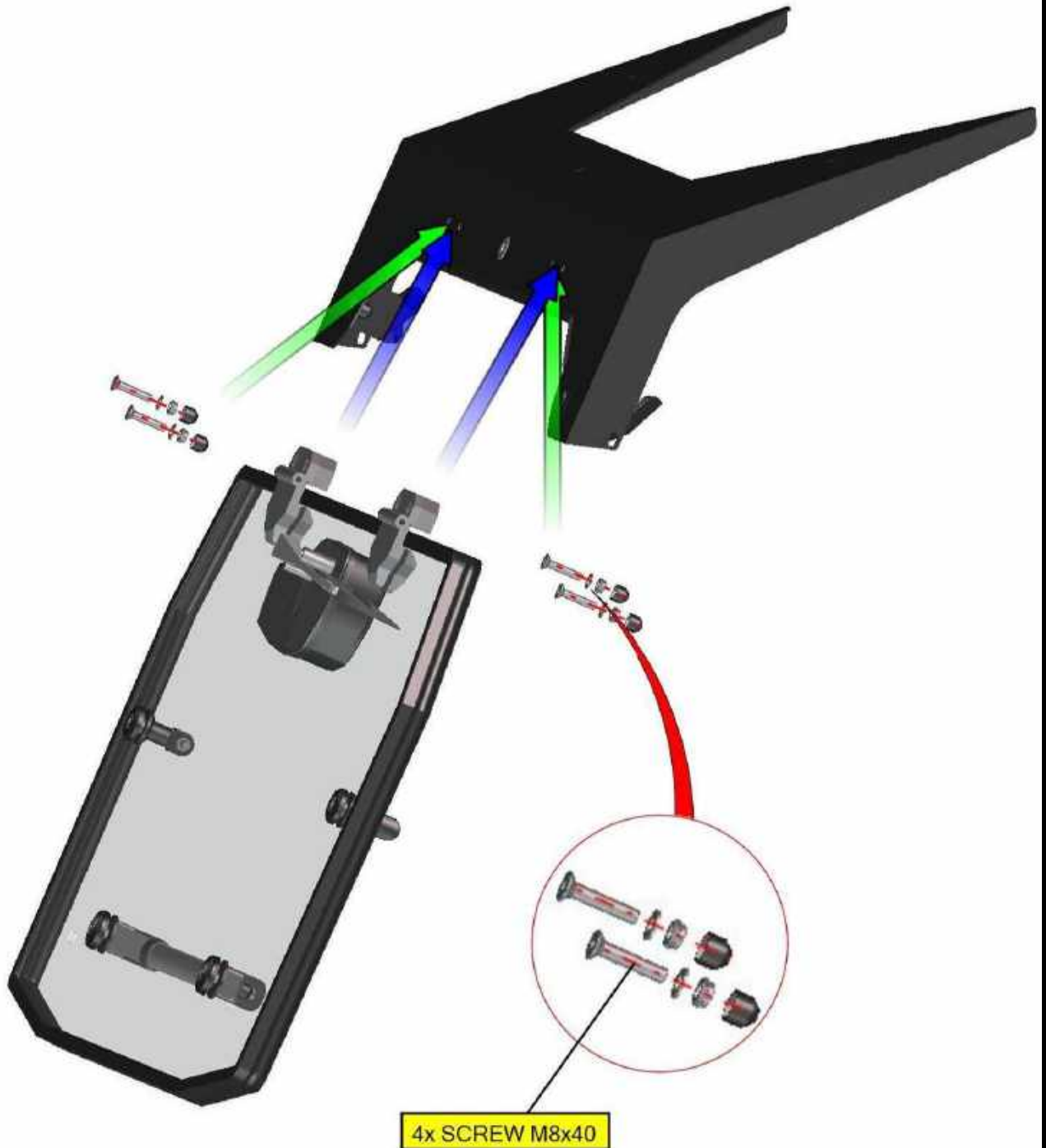
Place the wiper assembly onto the front glass from inner side.
Insert these washers onto the wiper's pins and onto the glass from outer side.



Fix the wiper motor with the front glass by included nuts and tighten these correctly.



Place the front window assembly onto the front upper ledge by hinges and fix by included screws, washers, nuts and covers.



Place the front glass assembly with the upper ledge onto the UTV rollerage into the best position.

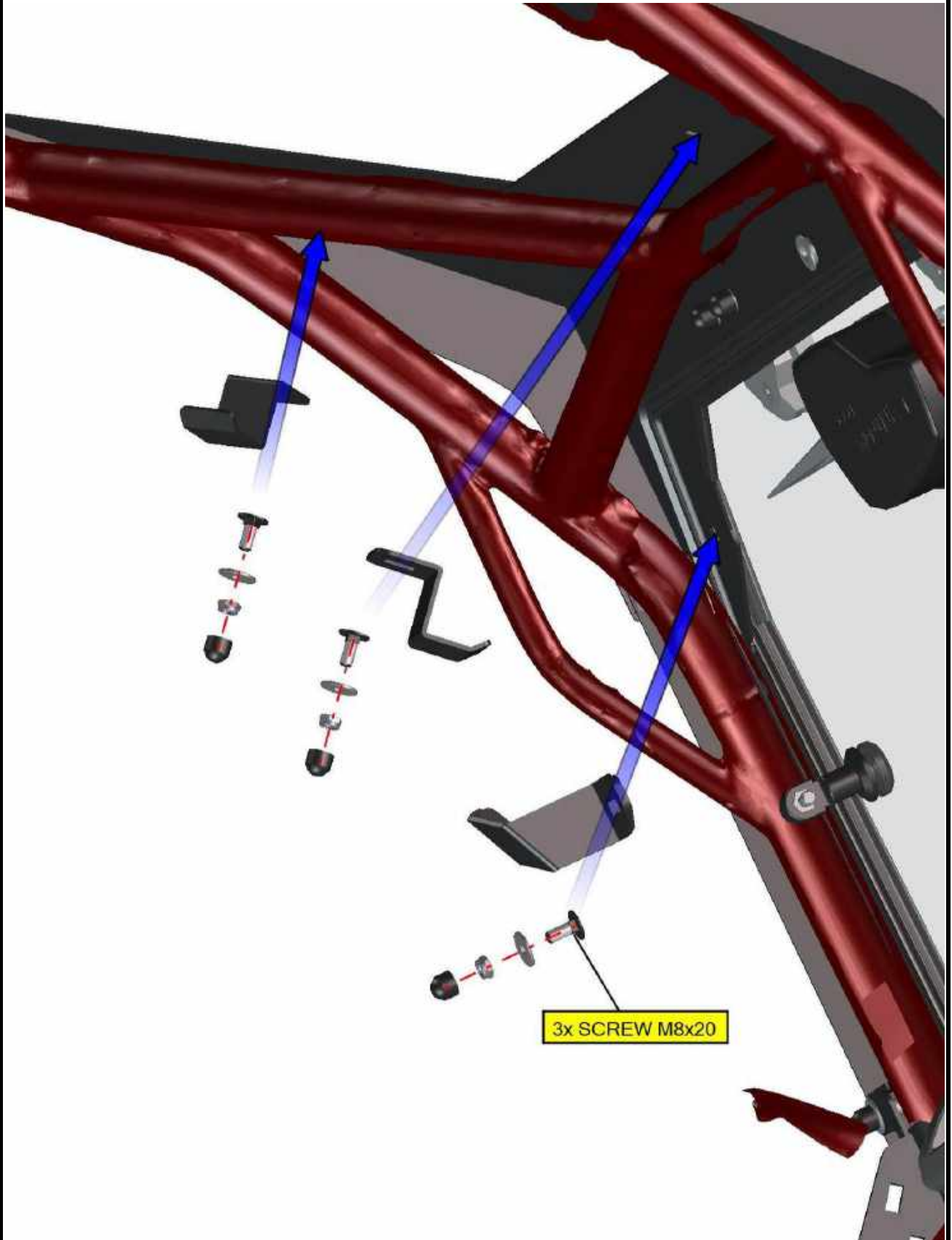


53

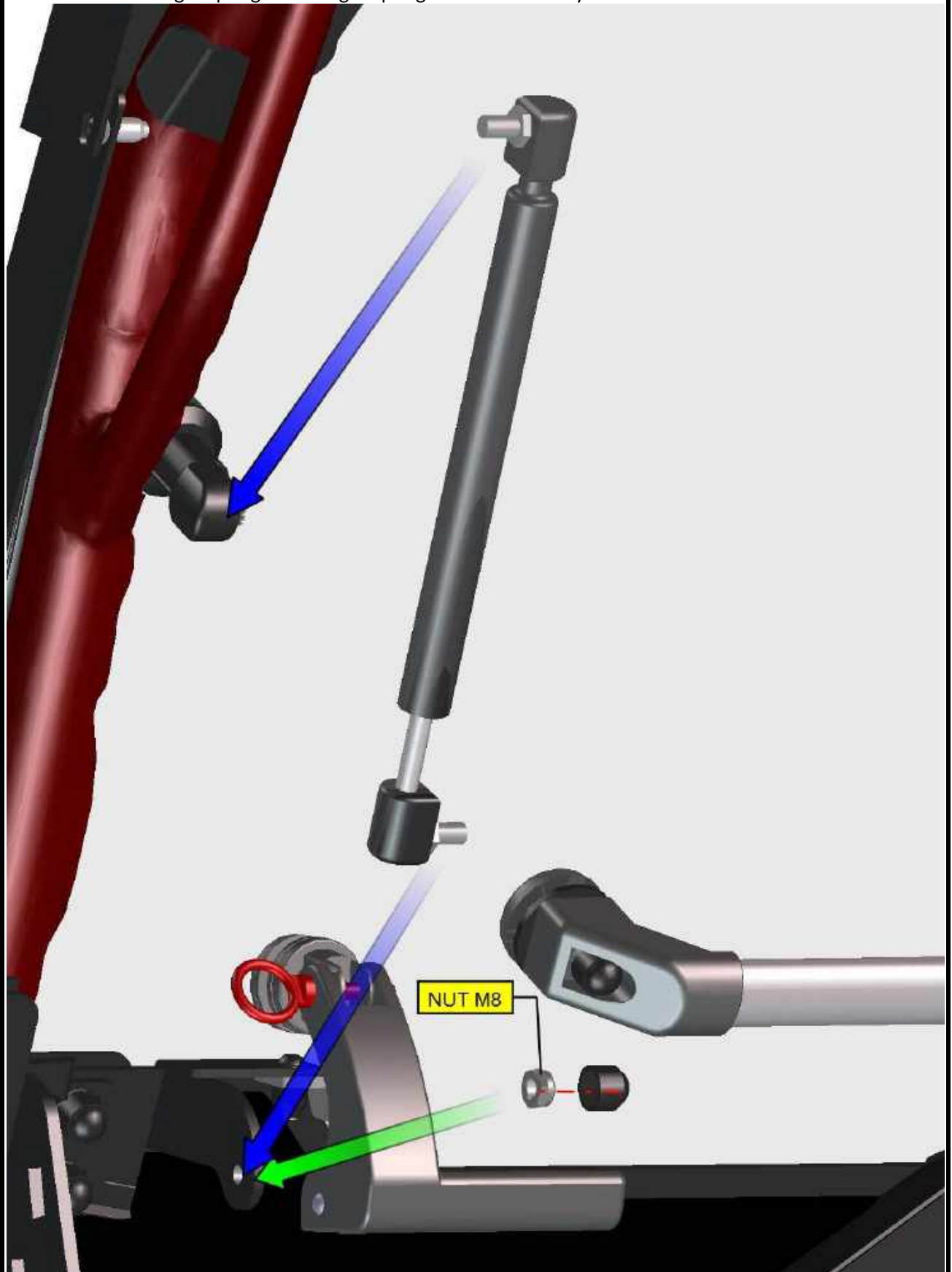
Fix the front upper ledge with the front side ledges by included screws on both sides.



Fix the front upper ledge with the UTV rollercage by included holders, screws, washers, nuts and covers on both sides.

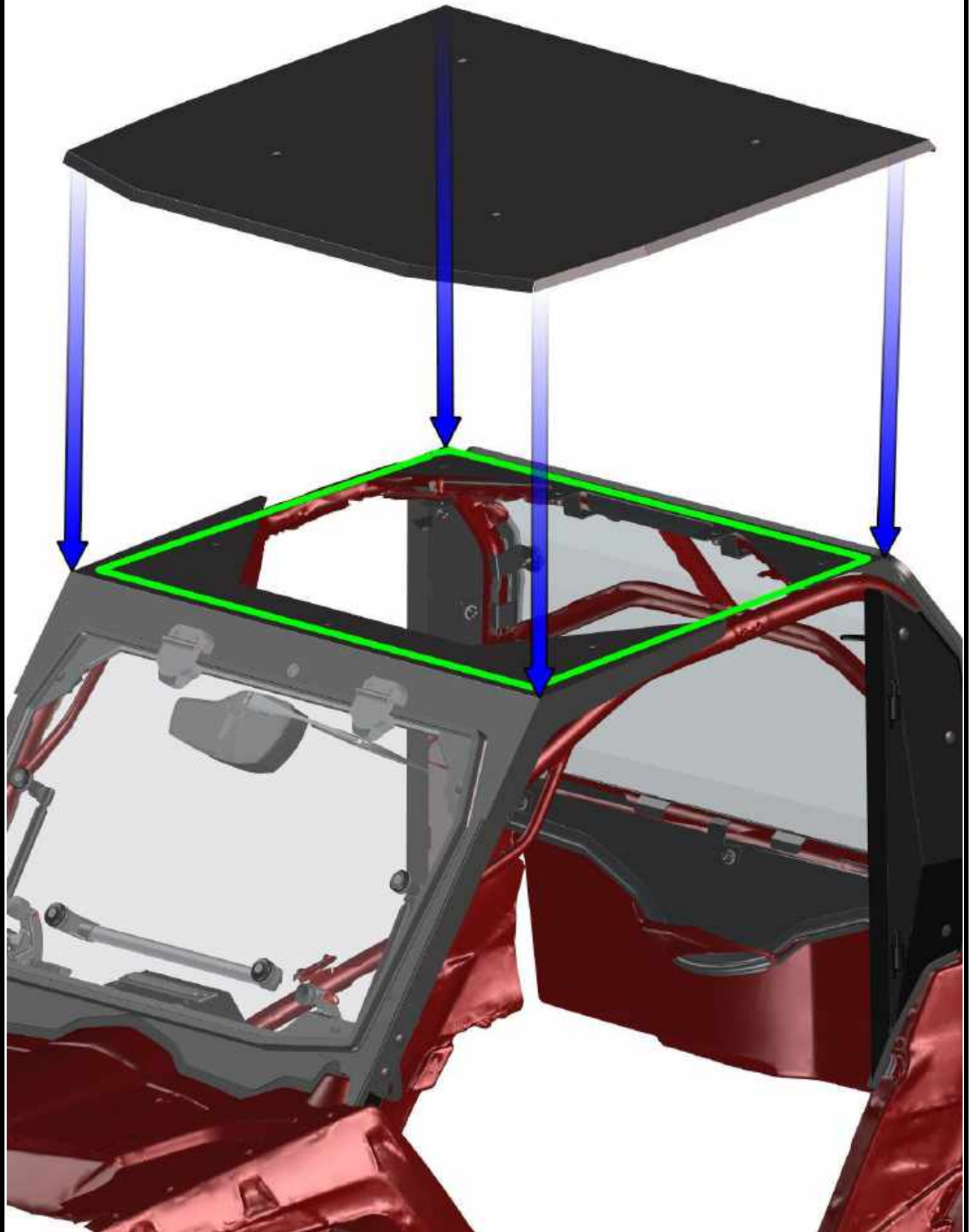


Install the front gas spring into the gas spring holders and fix by included nut and cover on both sides.



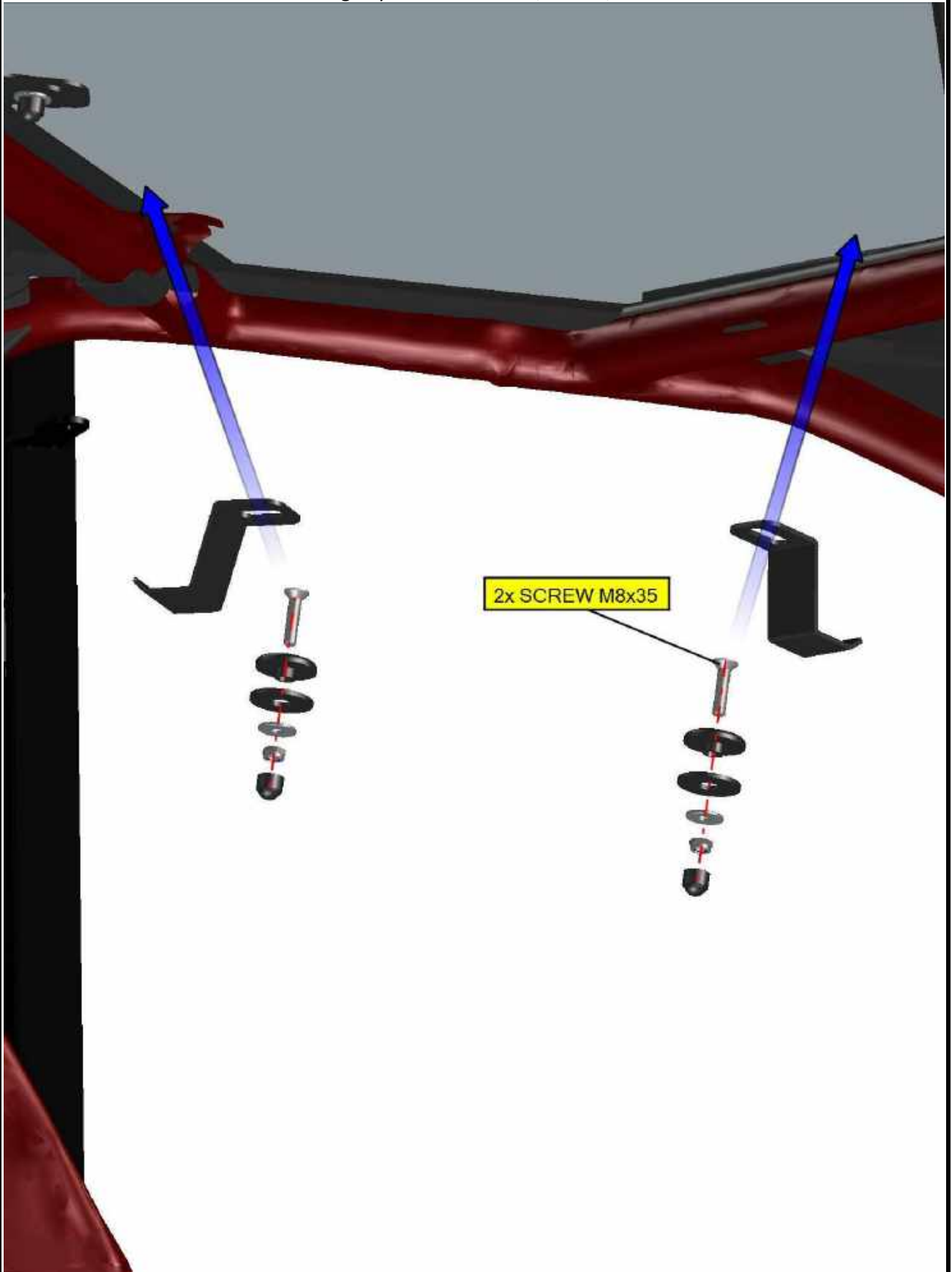
ROOF

Stick the rubber profil "Apolo" onto the UTV rollercage (green line). Place the roof onto the UTV rollercage and adjust the roof into the best position.



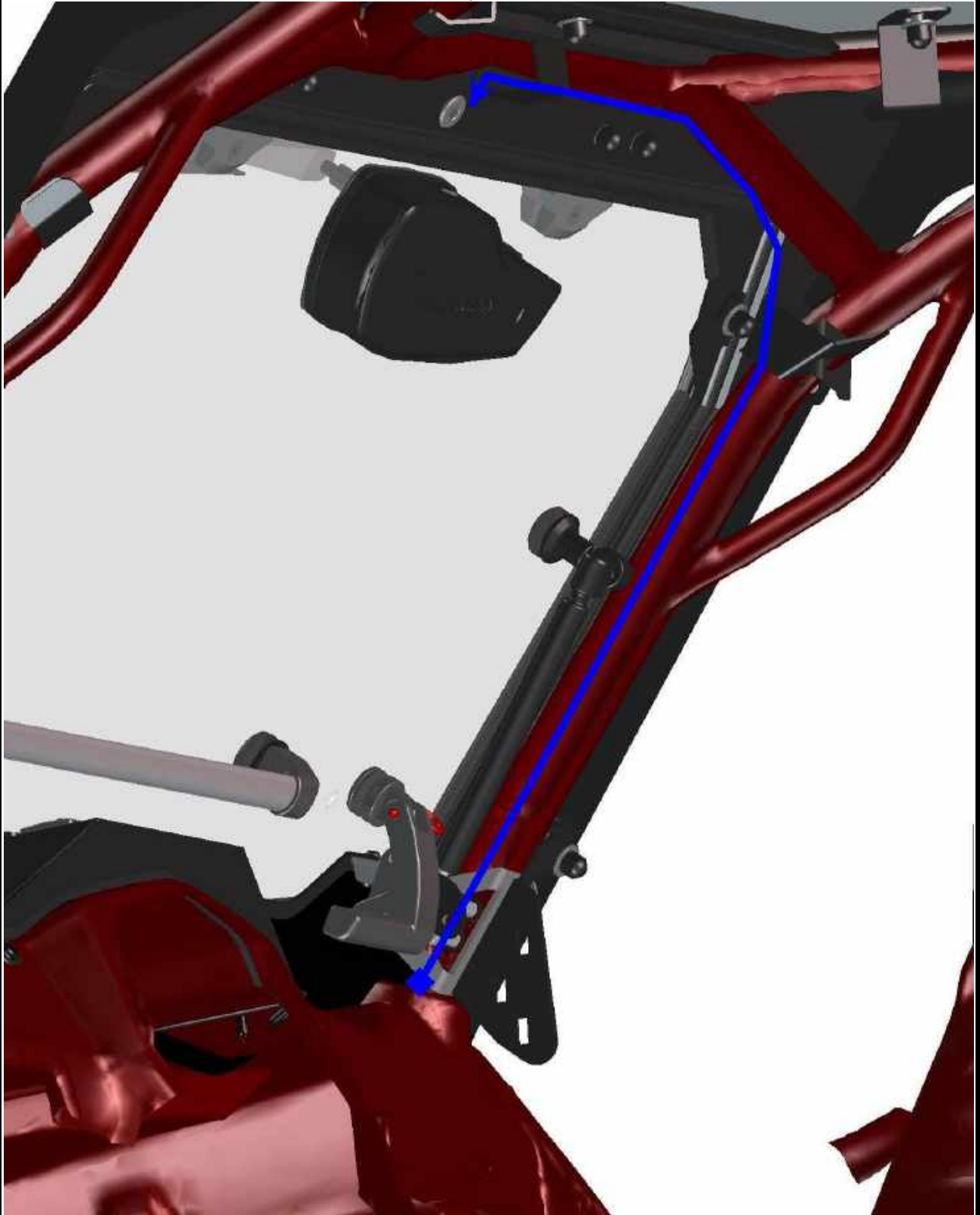
57

Fix the roof with the UTV rollercage by included holders, screws, nuts and washers on both sides.

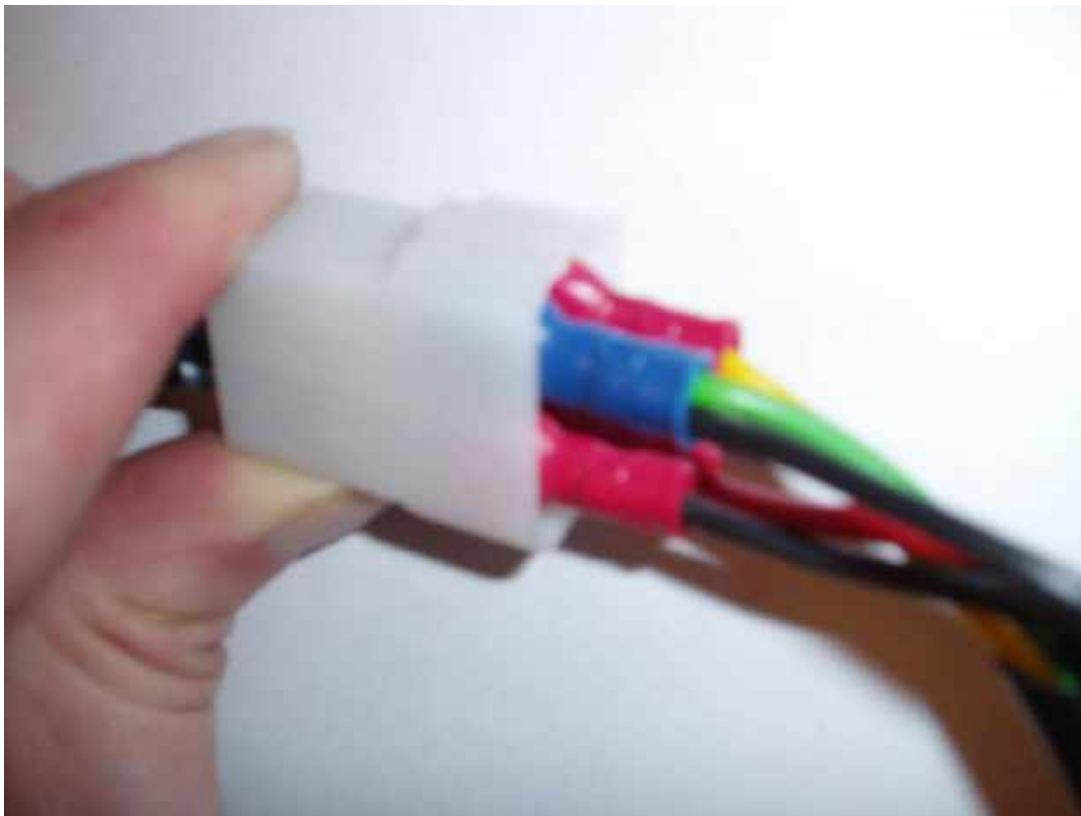


ELECTROINSTALLATION 3.
WIPER/WASHER 2.

Run the harness branch with washer hose to the front wiper motor and connect the branch with the wiper motor.



DETAIL VIEW CONNECTION



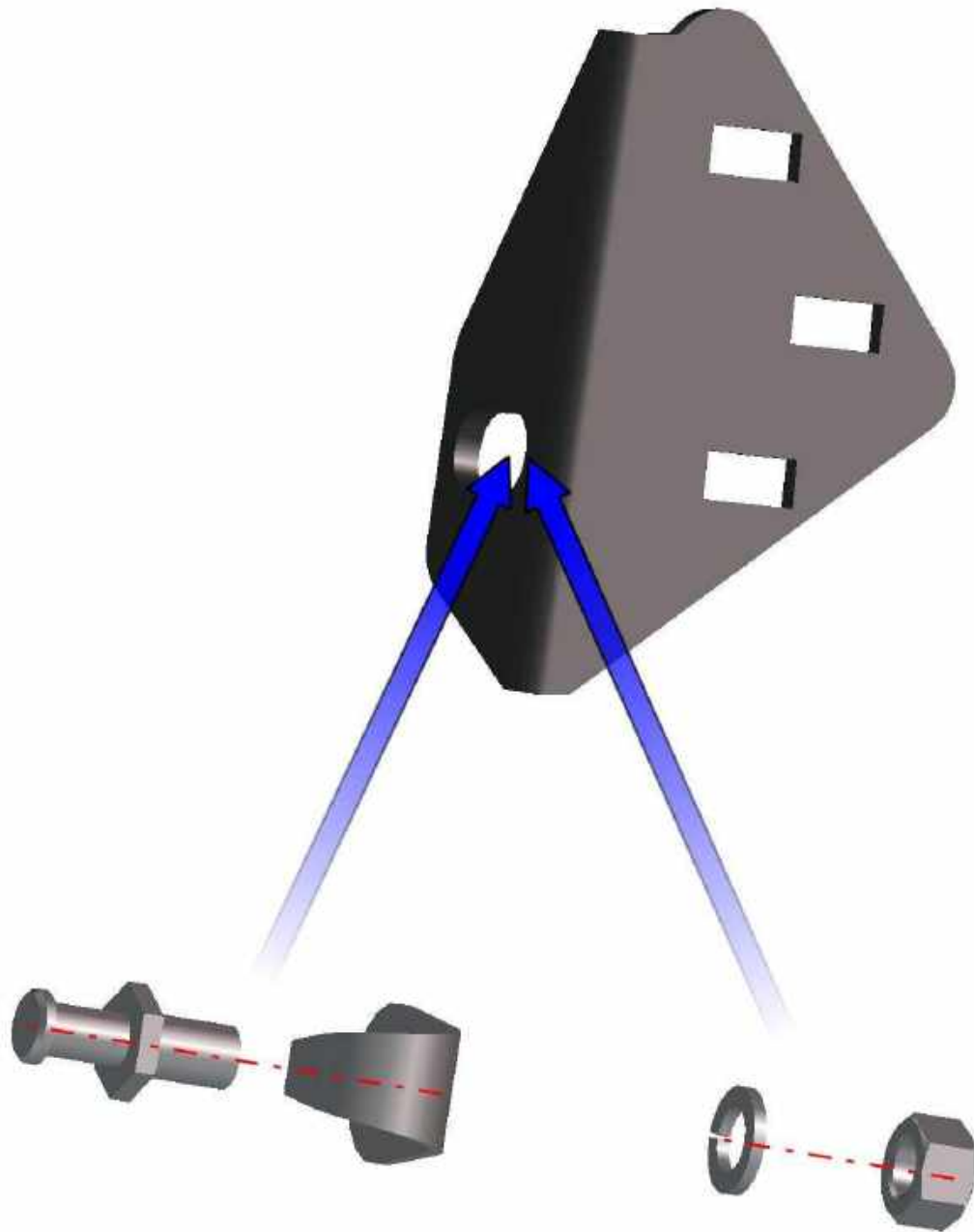
Please note that is necessary to add 5 inches extra before you cut the washer hose.
Connect the hose with tube (picture below) inset on both sides.



60

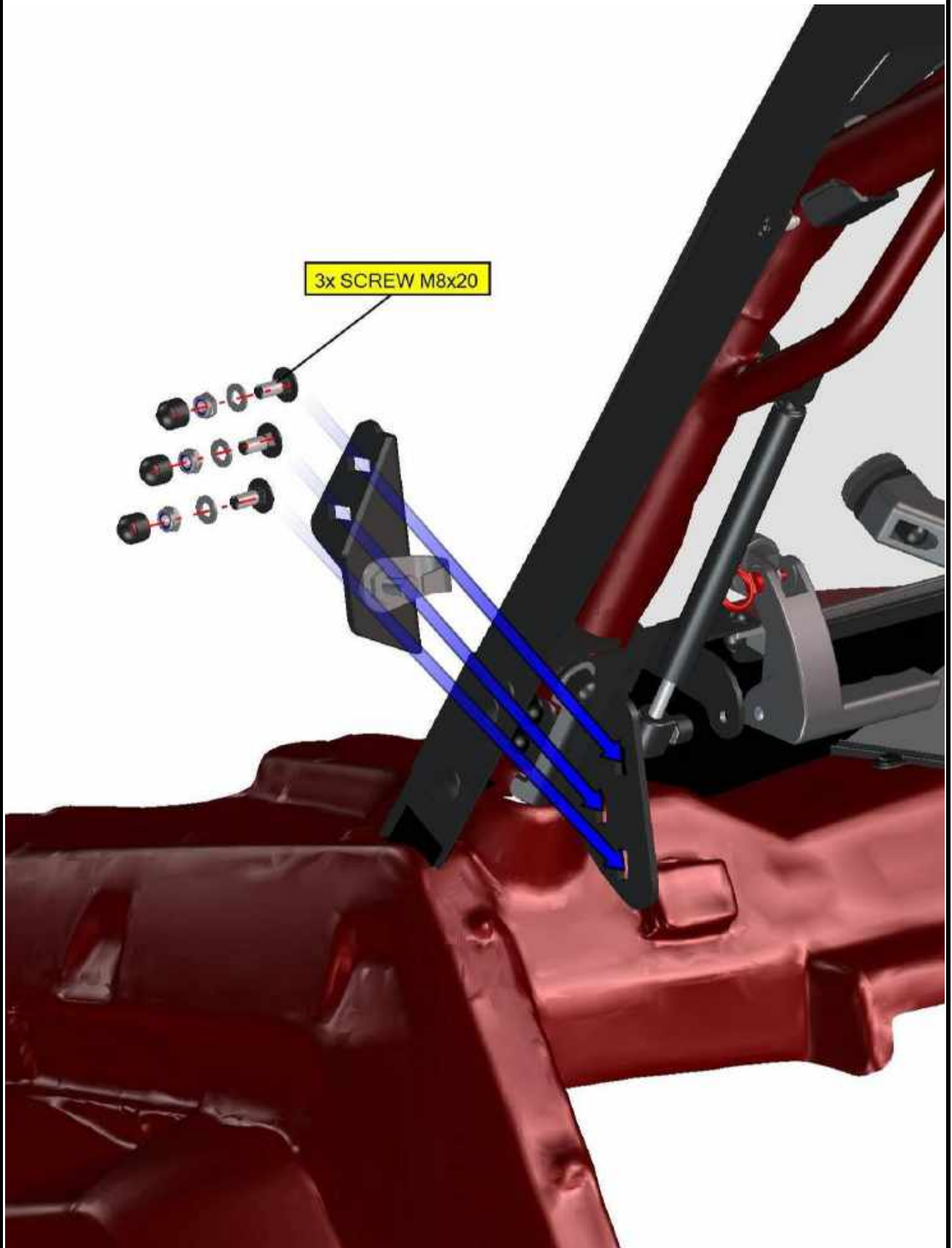
LEFT DOOR + RIGHT DOOR 2.

Install the door stop assembly into the door stop holder.

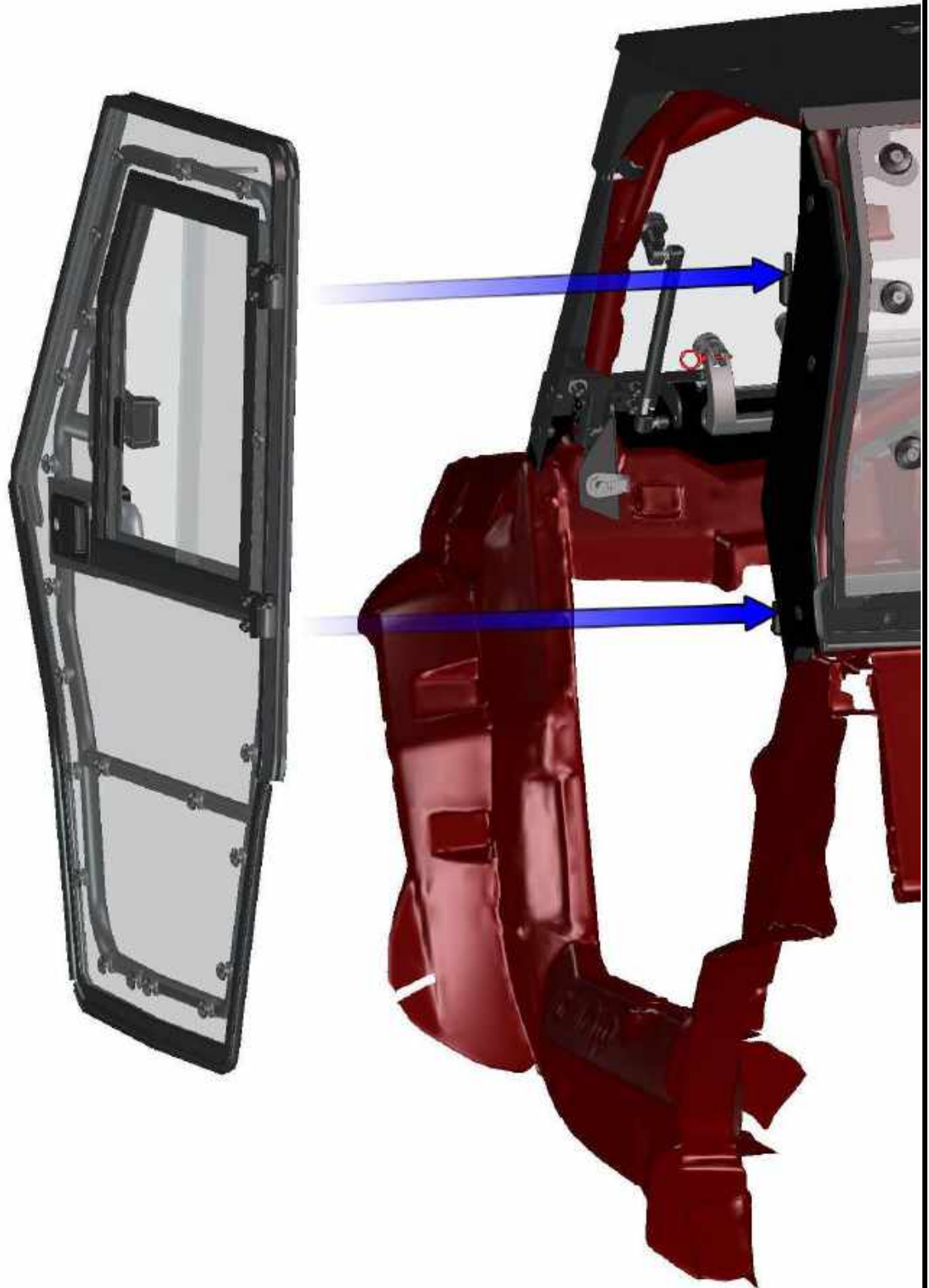


61

Place the door stop assembly onto the front bottom ledge holder and fix by included screws, washers, nuts and covers.

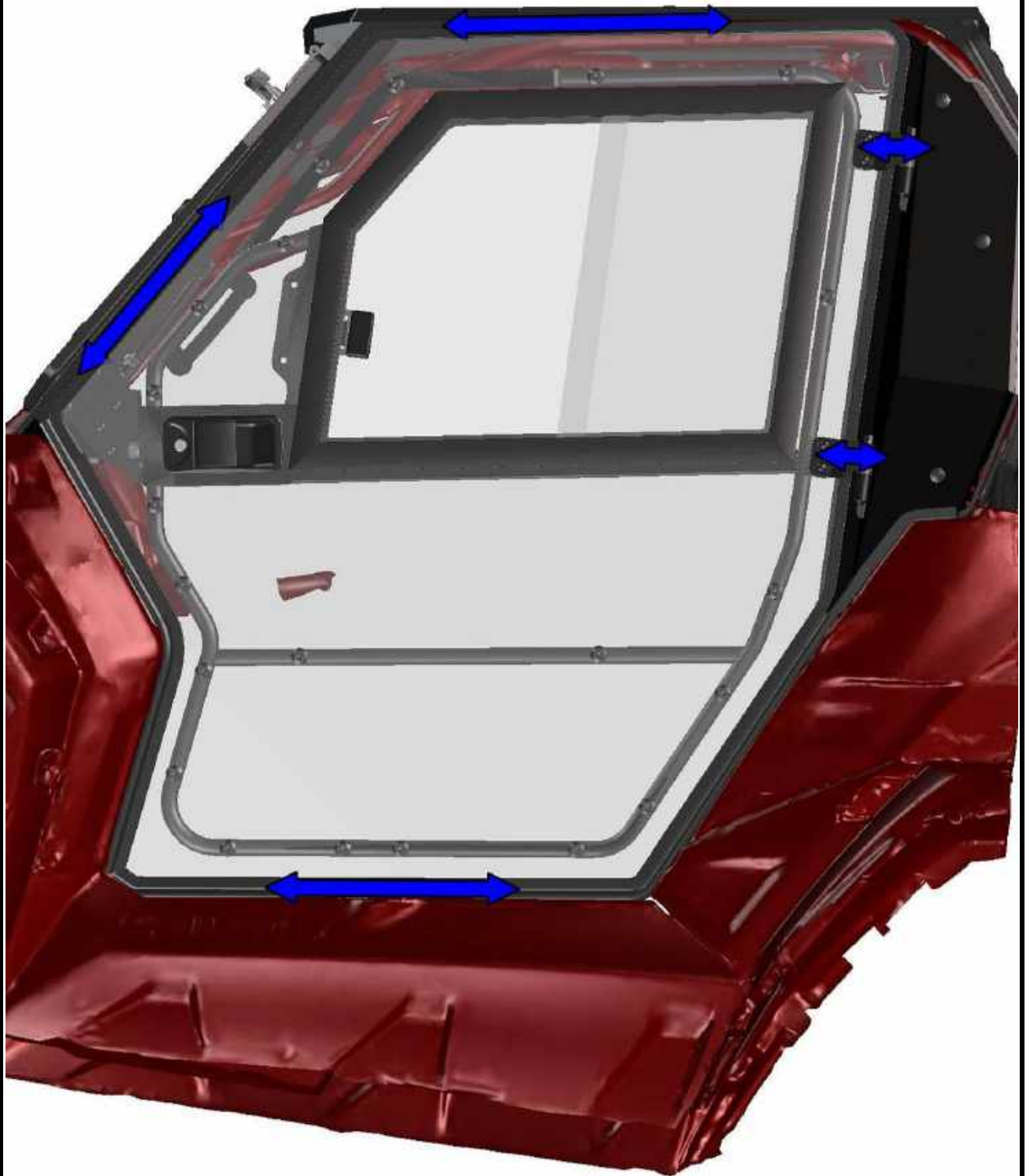


Lubricate the hinges pins and place the door onto the hinges.



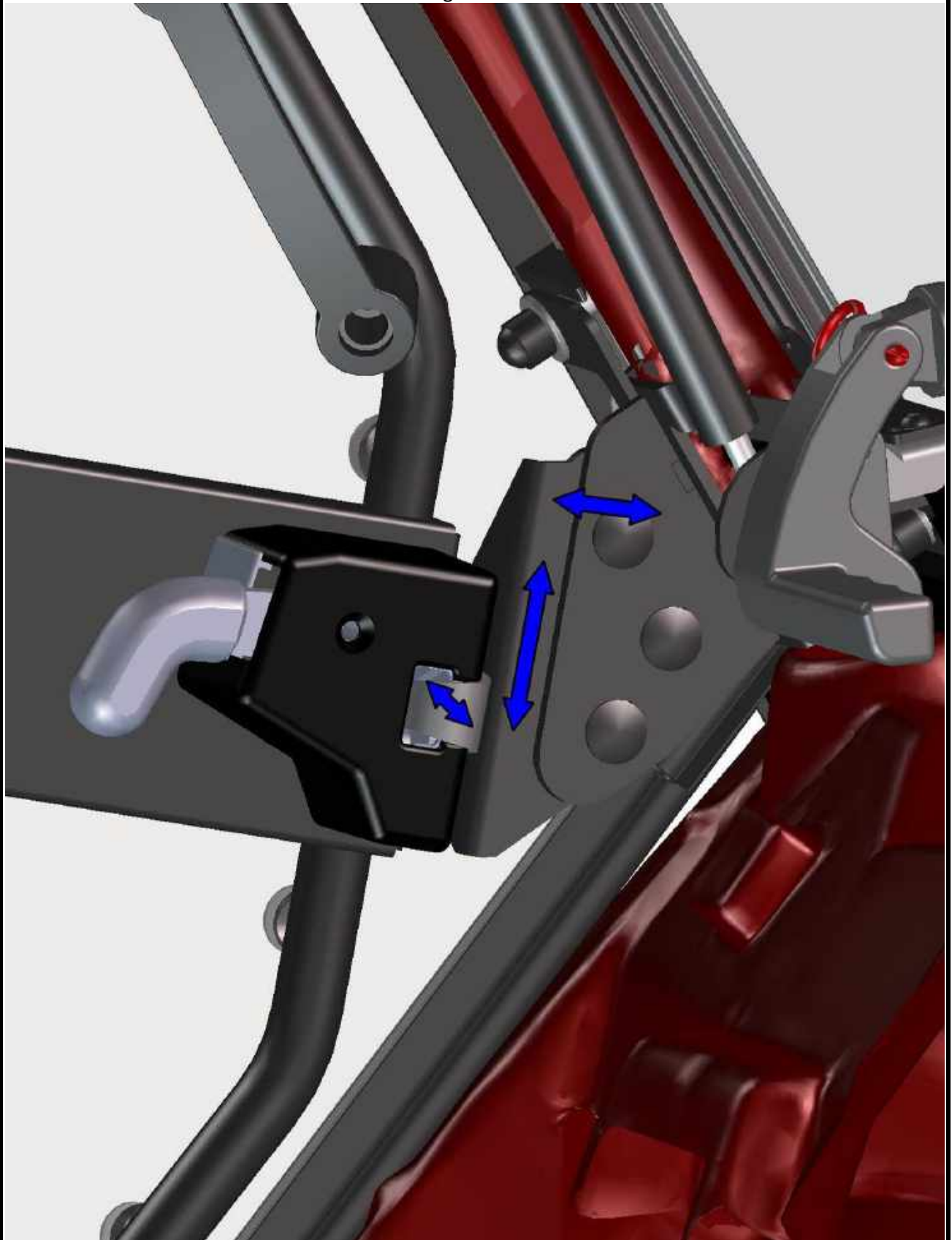
63

Adjust the door assembly to the best position by hinges and tighten the hinge screws carefully.



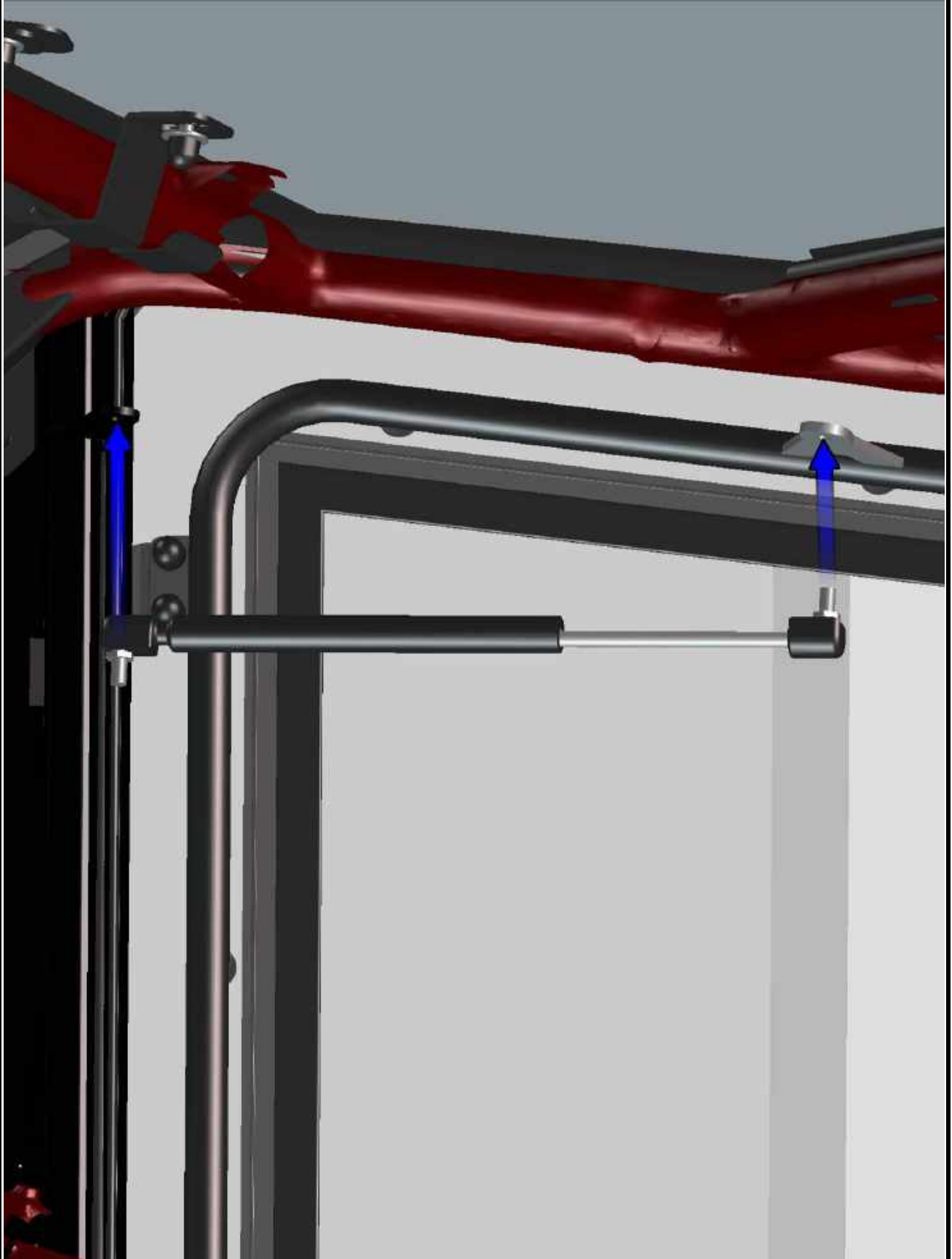
64

Adjust the door stop assembly into the best position and tighten all screws hard. Including the front bottom ledge holders screws.



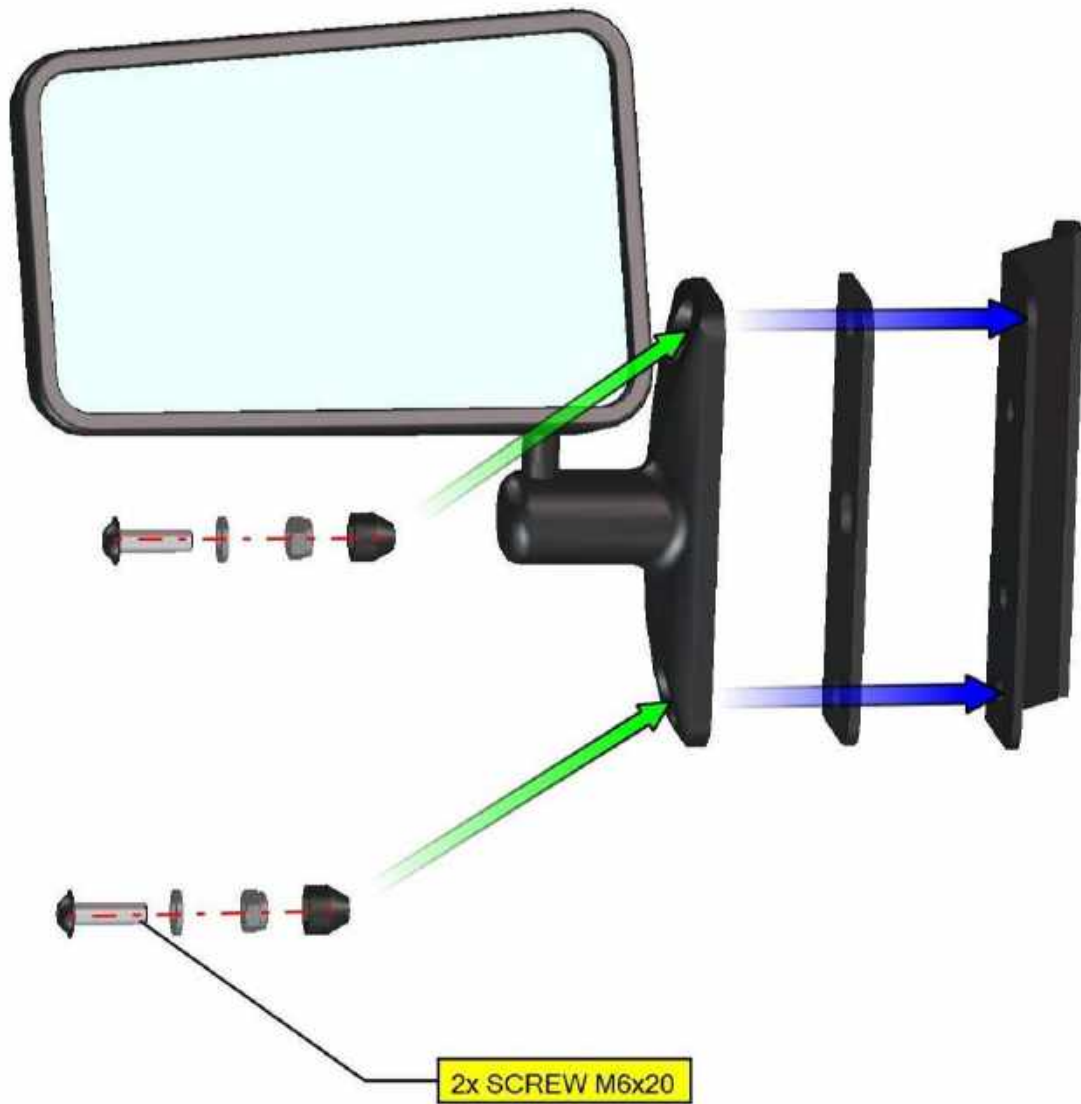
65

Install gas spring into the gas spring holders and fix by included nuts, washers and covers.

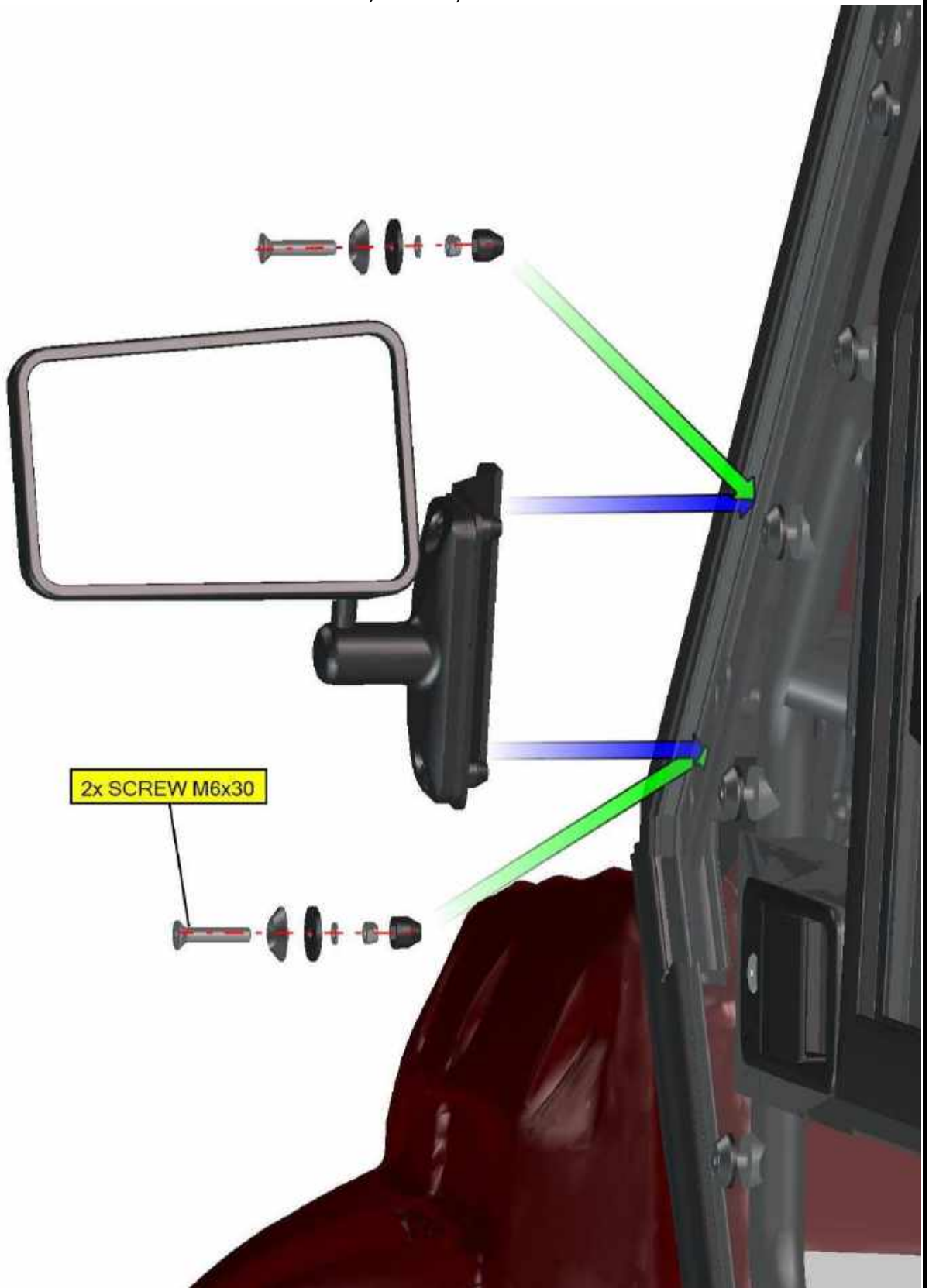


66

Place the mirror onto the mirror holder and fix by included screws, washers, nuts and covers.



Place the mirror assembly onto the door panel and fix the mirror assembly with the door panel by included screws, washers, nuts and covers.



68

REPEAT PREVIOUS STEPS WITH THE RIGHT DOOR.