

# HardCabs

A DFK AMERICA COMPANY

INSTALLATION INSTRUCTIONS

## **HONDA** **PIONEER 700-2 (2014)**



## **SAFETY INSTRUCTIONS**

***Warning: Failure to heed all safety and operating instructions and warnings regarding use of this product can result in serious bodily injury.***

### ***READ PROPERLY COMPLETE ASSEMBLY INSTRUCTIONS BEFORE STARTING OF ASSEMBLY***

***Install all parts indicated in assembly instructions. Failure to fully assemble product before use could result in personal injury.***

***Assembly of product requires use of hand or power tools. If you are not experienced in using these types of tools, have product dealer do the install for you.***

***Some parts contain sharp edges, wear protective gloves if necessary.***

***Always keep your assembly area clean, uncluttered and well lit.***

***Keep visitors and children a safe distance away from the assembly area. Visitors should wear the same safety equipment described under.***

***Never operate your UTV with the cab doors open. Failure to properly latch the doors before moving the vehicle could result in serious injury.***

***Dress for safety. DO NOT wear loose clothing, gloves, neckties or jewelry if using power tools to assemble this product.***

***Insert all nut covers after you finish installation.***

***Never drive your UTV with the cab front window in open position. Failure to properly latch/lock front window before driving the vehicle could result in serious injury.***

## **MAINTENANCE AND CLEANING**

***To clean polycarbonate surface use soapy water solution or other subtle means.***

***Dirt and dust wash by gently water stream and swipe only with wet or damp means in the direction from top to bottom.***

***The recommended frequency of cleaning of polycarbonate part is about 1 time per month or according to the actual degree of pollution.***

***Do not use detergents that could scratch the surface plates.  
(abrasives, harsh fabrics, etc.)***

***Do not use solvents or alkaline detergents or cleaners with ammonia  
(ammonium hydroxide).***

***Do not remove the impurities from the surface of the razor blades or other sharp items.***

***Do not clean cabin when the polycarbonate plates are heated by the sun.***

***Do not use the squeegee, it could be scratched surface plates.***

***Do not clean the water current strength greater than 50 bar (WAP)***

***The manufacturer is not responsible for scratching the surface in case of failure to comply with the above instructions.***

***All bolted connections of cab must be by user at regular intervals checked and tightened.***

**TOOLS NEEDED**

Not included



**Ratchet handle**

**Socket beg 13 mm  
(0,51 in)**

**Hex key 5 and 6mm**

**PREPARATION FOR INSTALLATION:**

Uninstall all additional systems from the roller cages (work lights, rear mirrors, drink holders etc.)  
Uninstall the front original door from the UTV from both sides and save these for later usage.



CAB PREVIEW



6

**ELECTROINSTALLATION-WIPER+WASHER step 1.**

**Parts needed**

Included

Washer tube



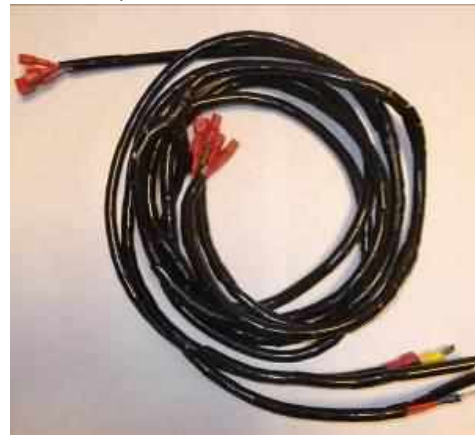
Switch wiper/washer/off



Harness and washer tank



Wiper harness



Find the best place for washer tank and install that by included screw, washers and nut.  
Loosen original fixing points and pick up the dashboard carefully.





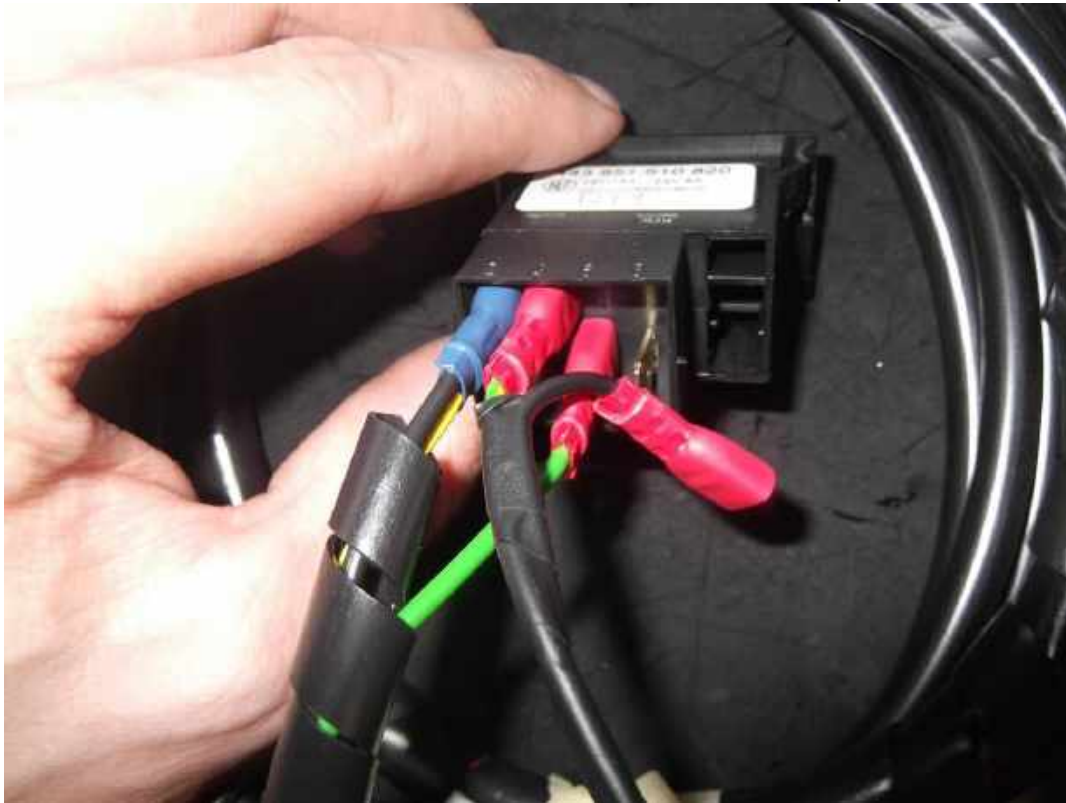
Run with the washer harness from the washer tank to the dashboard near the driving wheel.  
Find the best position for the wiper/washer switch and cut rectangle hole 22,1x44,1 for switch.



10

Insert the wiper harness into the dashboard inner space and run harness branch switch to the switch hole.  
Stretch the harness branches for switch through the hole from previous page.

Connect the branches with the switch in accordance with picture.



Run the the washer hose and wiper harness from the harnesses to the right roller cage.



Stretch the harness and hose throught the original gape or drill hole near the roller cage.

**ELECTROINSTALLATION – HEATER**

*Parts needed (included)*

		
<p><b>Heater with cover</b></p>	<p><b>Bleeding valve</b></p>	<p><b>Electric vent</b></p>
		
<p><b>Tightening straps</b> <i>Smaller, bigger and large</i></p>	<p><b>Air vent corner</b></p>	<p><b>Air vent straight</b></p>
		
<p><b>Hot air hose</b></p>	<p><b>AL tape</b></p>	<p><b>Bigger Y couplings</b></p>



**Smaller Y couplings**



**Hot water hose**



**El. Valve switch**



**Heater switch  
assembly**



**Heater harness**

13

Find the best place for air vents in dashboard.

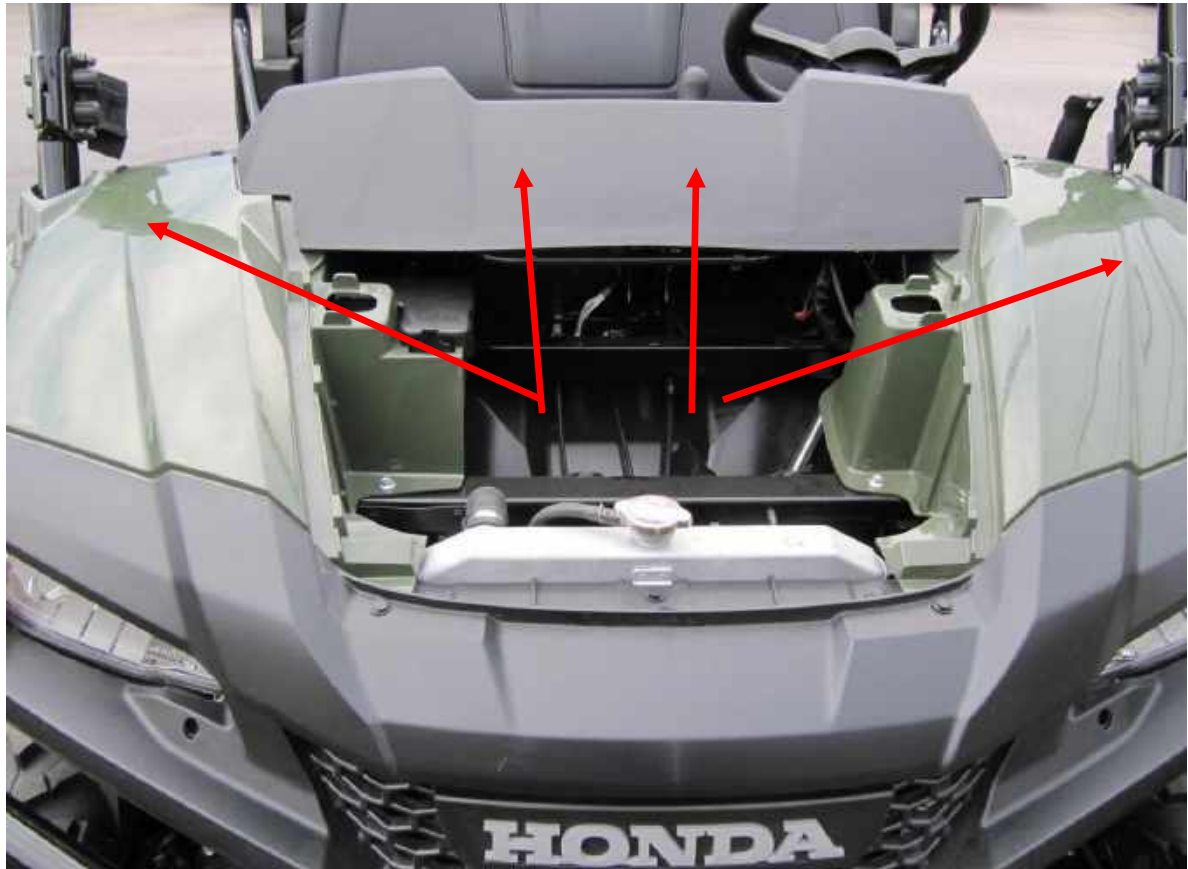


It is necessary to find position without metal reinforcement under the dashboard plastic body





Make marks in correct position and cut 4 holes  $\varnothing$ 3in (76mm) for air vents.  
Place the heater hoses into the front dashboard and run hose to the cuted holes.



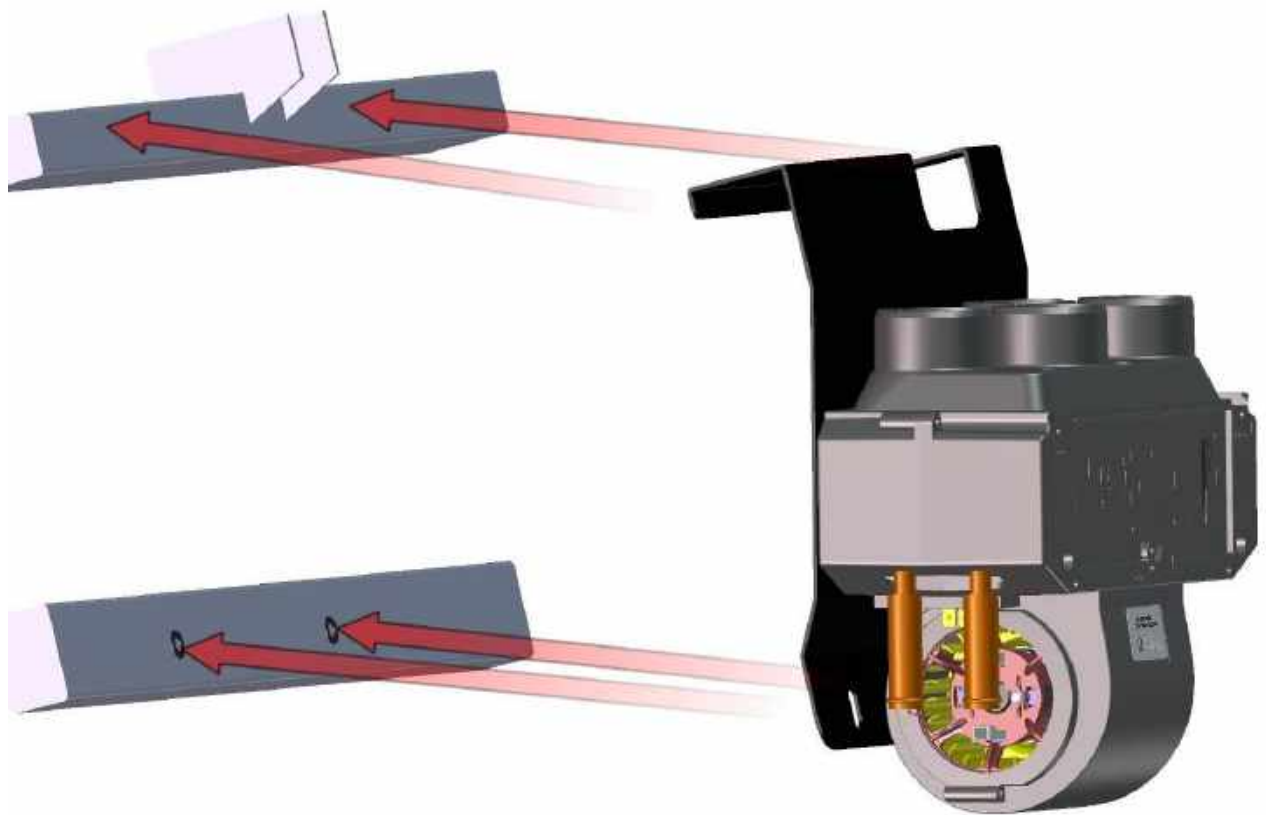
Stretch the hoses through the cuted holes and install with the air vents. Tighten the hoses with the vents by tighten straps or by AI tapes.

SEE NEXT PAGES

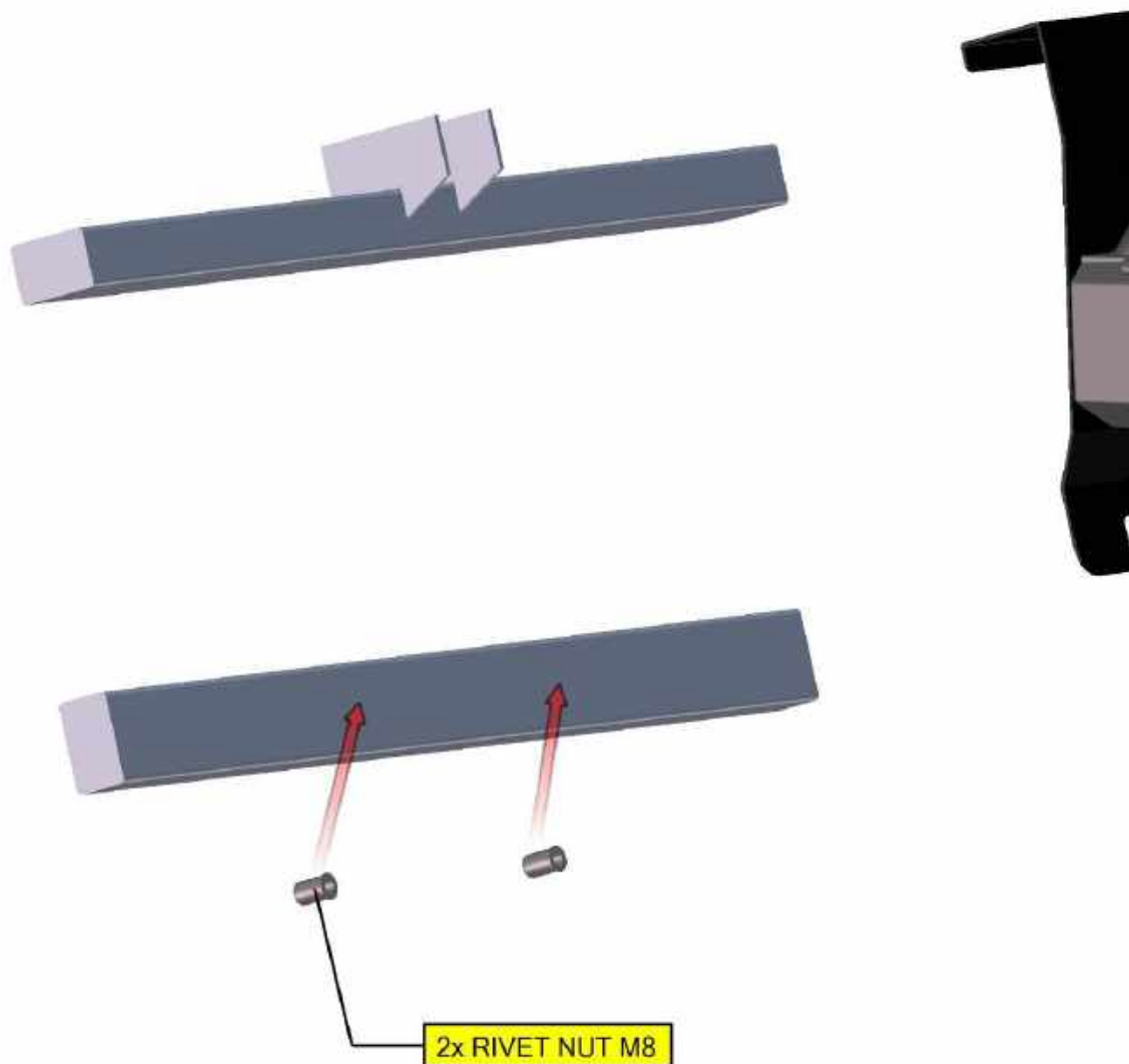




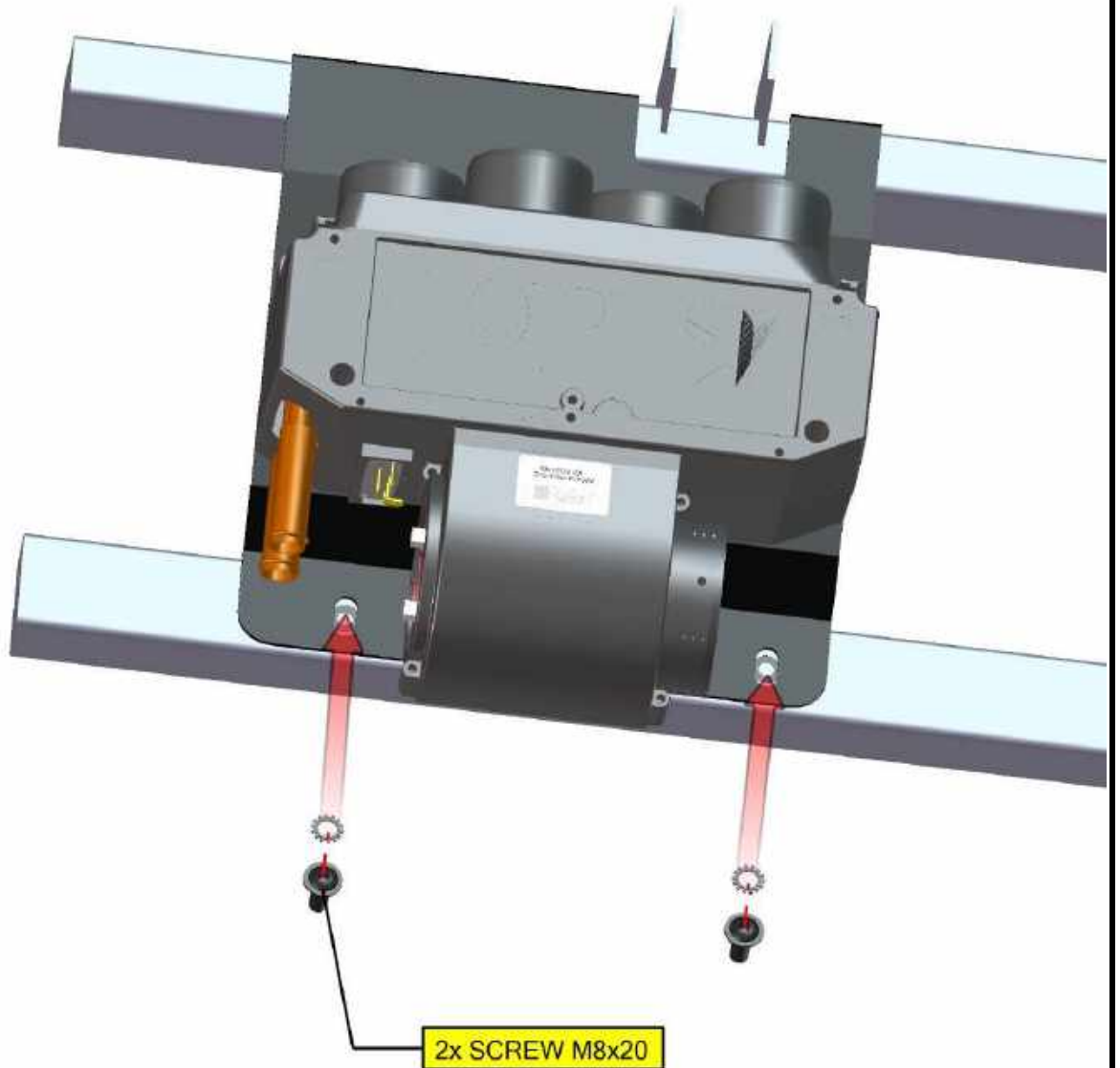
Place the heater holder onto the position.



Make marks onto the frame in accordance with the heater holder's holes.  
Drill holes  $\varnothing 11,2$  into the marks centers and insert rivet nuts into the holes.



Fix the holder with the frame by screws and washers.



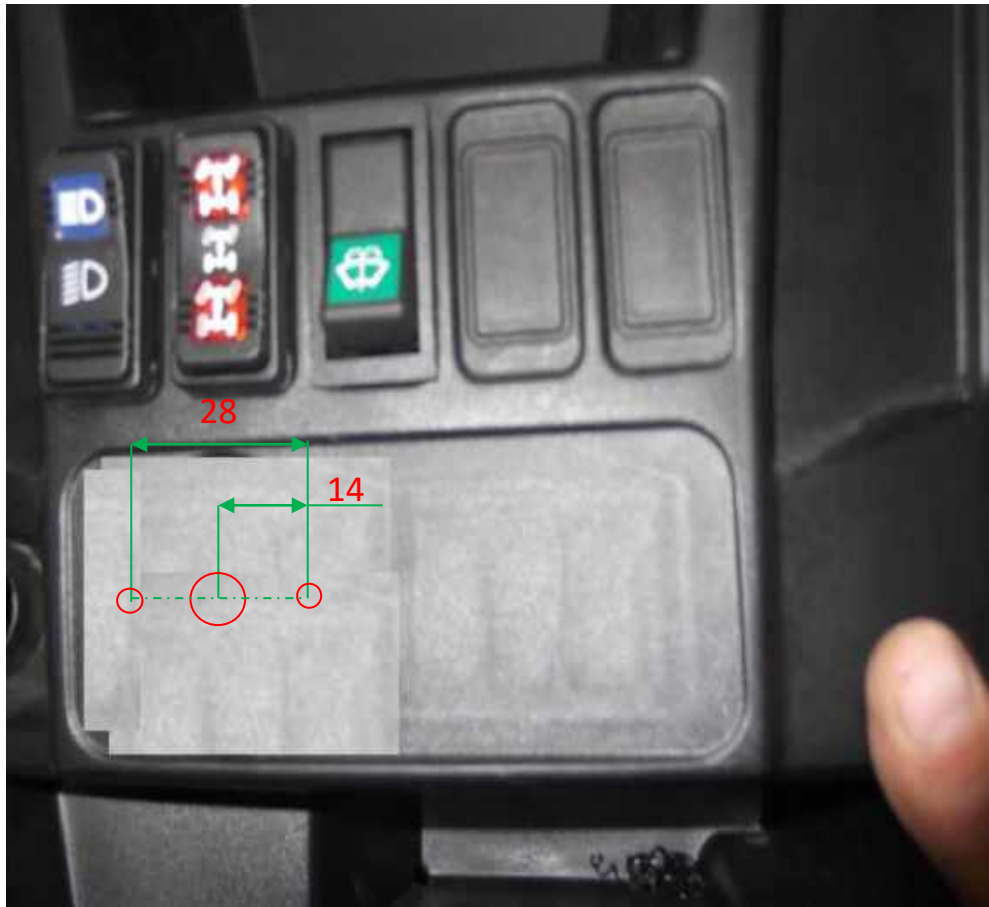
20

Find the best position for heater switch and for el. valve switch.  
Drill hole 21mm for el. valve switch into the dashboard.

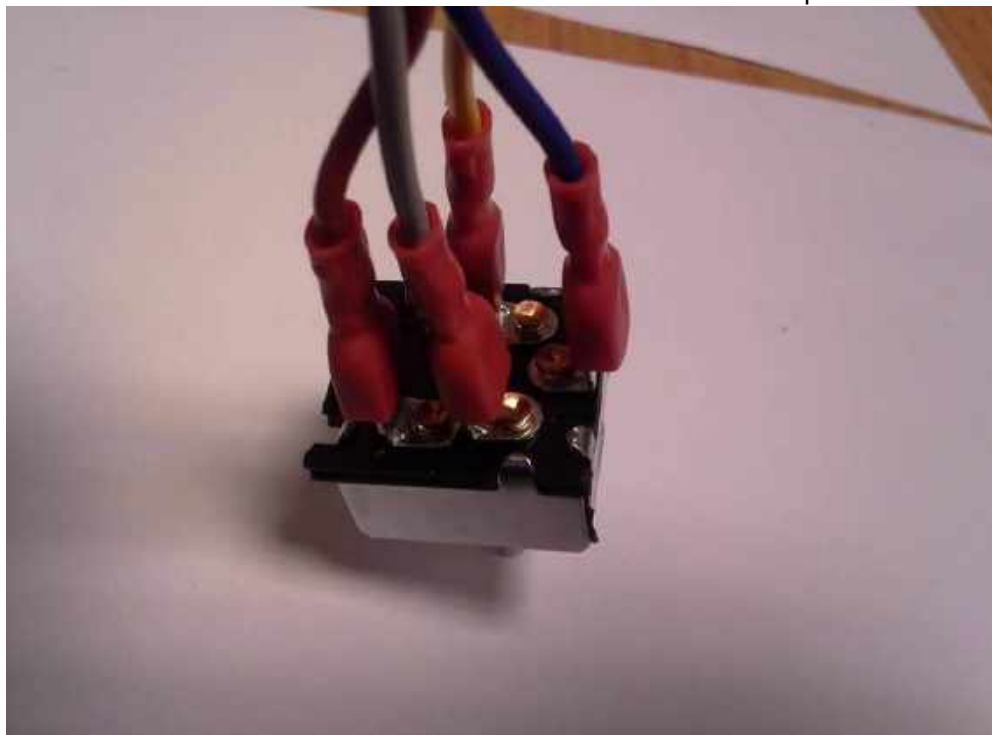


SEE NEXT PAGE

Drill 1 hole  $\varnothing$  11,5-14mm (0,45-0,55 in) and 2 holes  $\varnothing$  2,5-4 mm ( 0,1- 0,16 in) into the dashboard in accordance with the ventilator switch base.



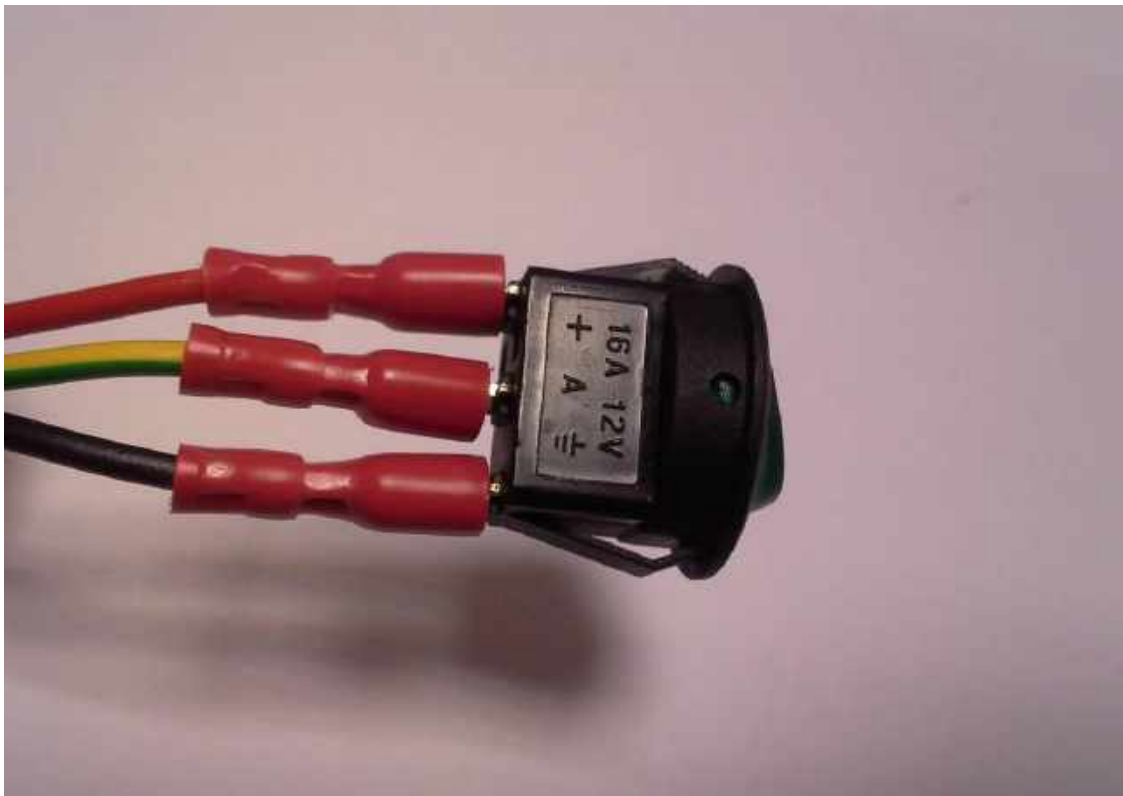
Connect the harness branch with the heater switch like in picture.



Insert the heater switch into the hole from inner side and install remaining parts of the switch.



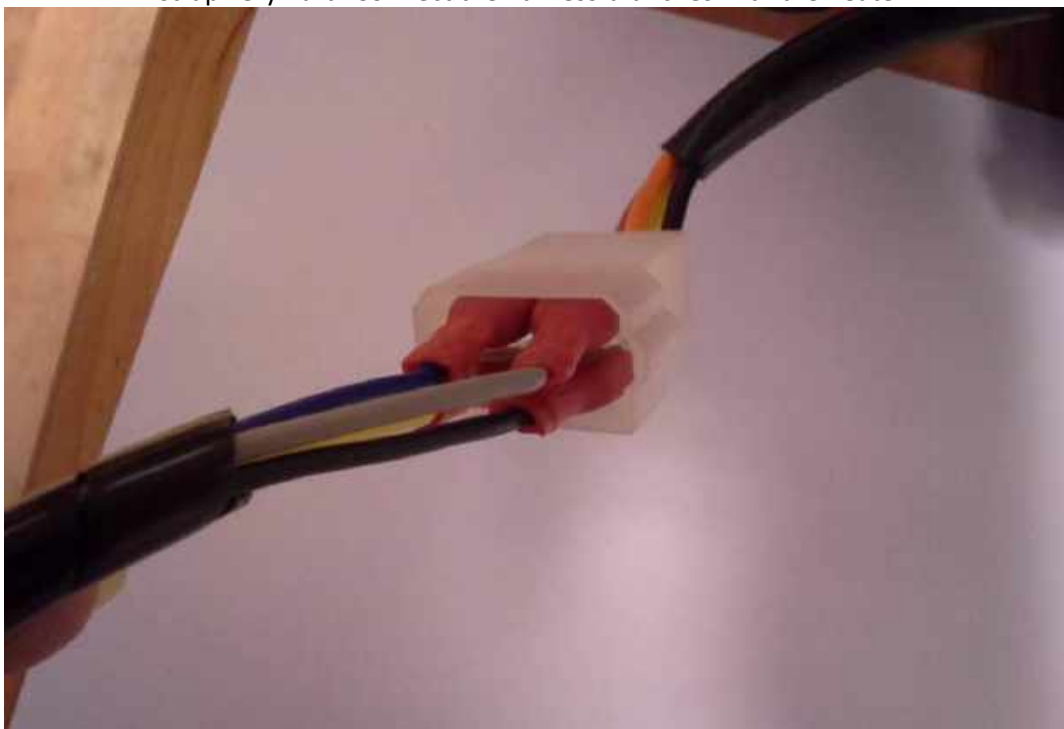
Pull the harness branch for el. valve switch throught the hole from previous page (bottom picture) and connect the branch with the switch.



Run the heater harness from the switches to the heater.  
Install the short hose and remain of the hose to the heater tubes. Fix these hoses with the heater tubes by tightening straps and tighten these straps very hard. Insert the tightening strap onto the shorter hose and install electromagnetic valve in same orientation like in picture. Tighten that strap very hard.

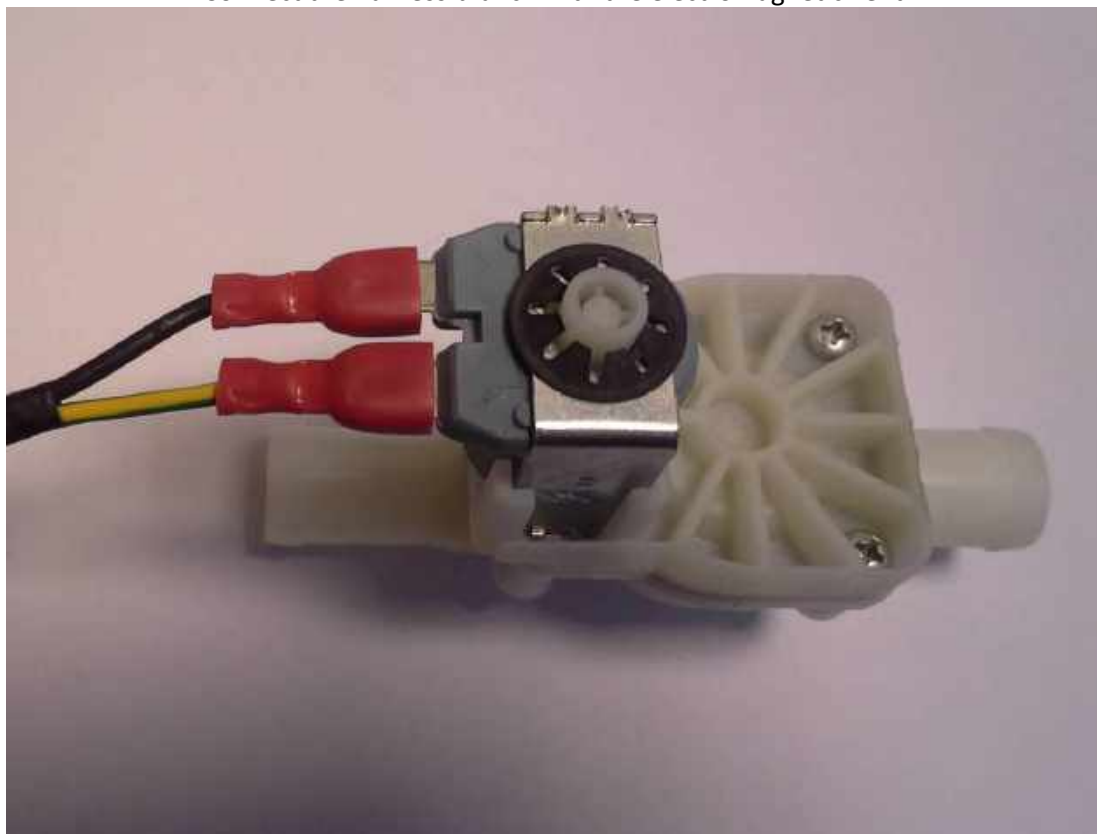


Install the heater hose onto the el.valve fix hose with the el. valve by tightening straps and tighten this strap very hard. Connect the harness branches with the heater.





Connect the harness branch with the electromagnetic vent.



Insert the air vents with the heater air hoses into the holes. Connect the heater air hoses with the heater and tighten these by AL tapes.

SEE NEXT PAGE

Run the heater hoses from the heater to the front cooler space. Install the "Y" coupling into the engine cooling system hose and tightening by tightening straps and tighten these straps very hard.



Install the seat and take out the pvc cover.



27

Run the heater hose with the el. valve to the engine space under the seat. Install the "Y" coupling into the cooling system hose and fix by tightening strap. Tighten these straps very hard.



Cut the heater hose without el. valve near heater and insert the tightening straps. Install the air vent valve into the hose and fix these by straps. Tighten straps very hard.



Connect the wiper, washer and heater harness with the UTV electrification.

**SEE NEXT PAGE**

***It is absolutely necessary to bleed the air out of the UTV's engine cooling system. Incomplete bleeding of cooling system can result in engine damage. If you don't have sufficient experience with this process, we strongly recommend professional service technician assistance. We are not responsible for damages when cooling system bled incompletely. Please note that additional heater system will absorb more than 2 liters of coolant fluid.***

- 1. Important: After the heater system installed check the system for leaks. Turn on the electric vent switch and confirm that the engine is cold. Start the engine, open bleeding valve and wait until engine warms up. Important: Always check engine temperature – if it overheats turn off engine.***
- 2. To achieve engine operating temperature depress the accelerator to increase the engine RPM. This will increase the pressure and flow of the water pump forcing more coolant through the heater. After operating temperature reaches turn off engine and open it. Trapped air should come out from heater system throughout bleeding valve. Repeat this procedure until heater/cooling system is completely bled out.***

***The DFK Cab heater, like the heater in a car, generates heat from the vehicle's engine.***

***In nearly all cases, the heater should generate enough heat from your UTV, side by side, or tractor engine that you may need to turn the heater off periodically otherwise the air in the cabin may be too hot.***

***It is important to check the coolant level regularly at least 4-5 times during the first several days of operation and fill as necessary until the coolant level has stabilized. The heater will draw and retain coolant, sometimes at the expense of coolant to the engine. This can cause engine overheating if not managed properly.***

**FRONT PANEL**

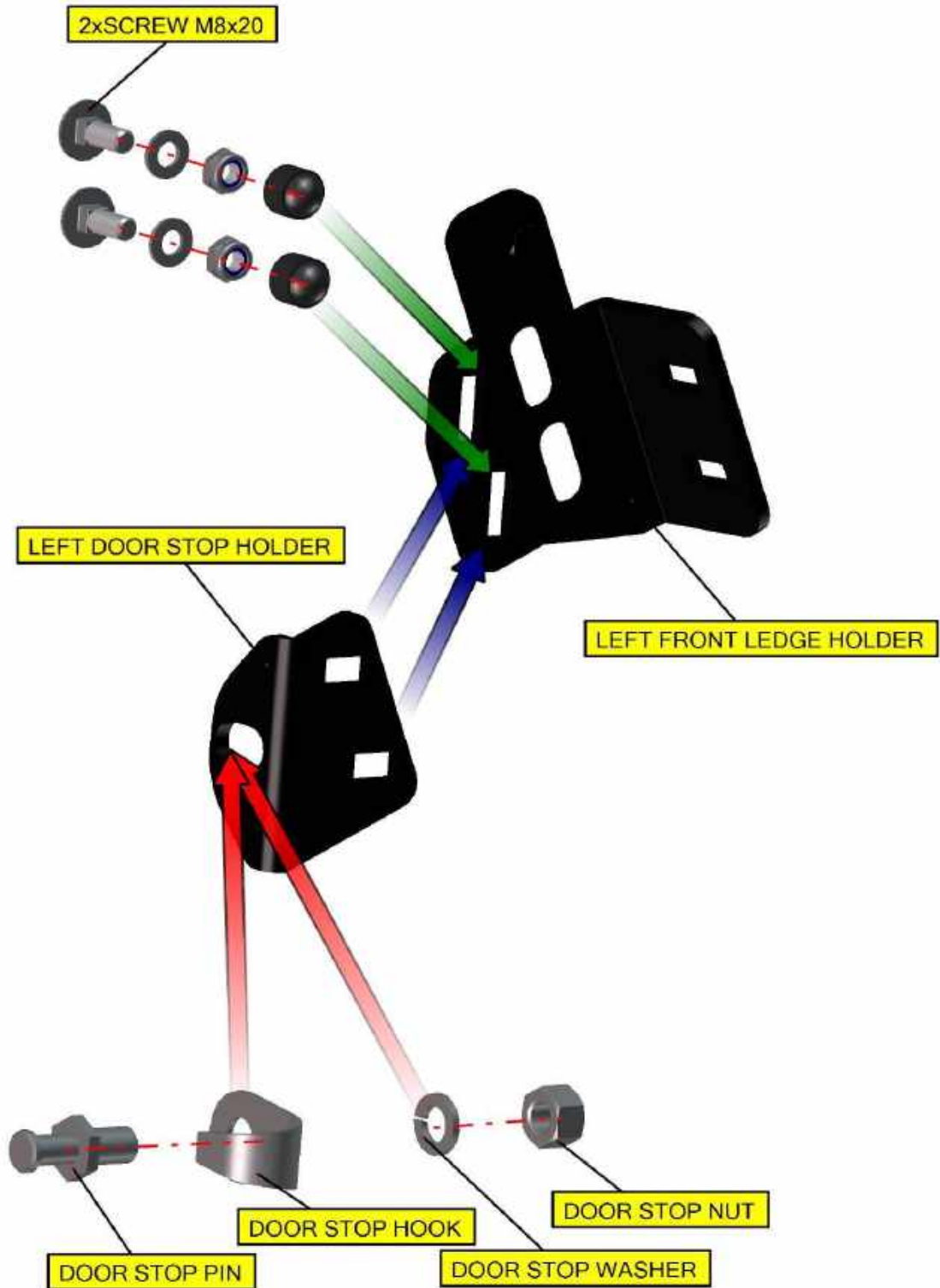
Install the door stop assembly (pin, hook, washer and nut) into the correct door stop holder (left or right).

Place the door stop holder with the door stop assembly onto the correct front holder (left or right).

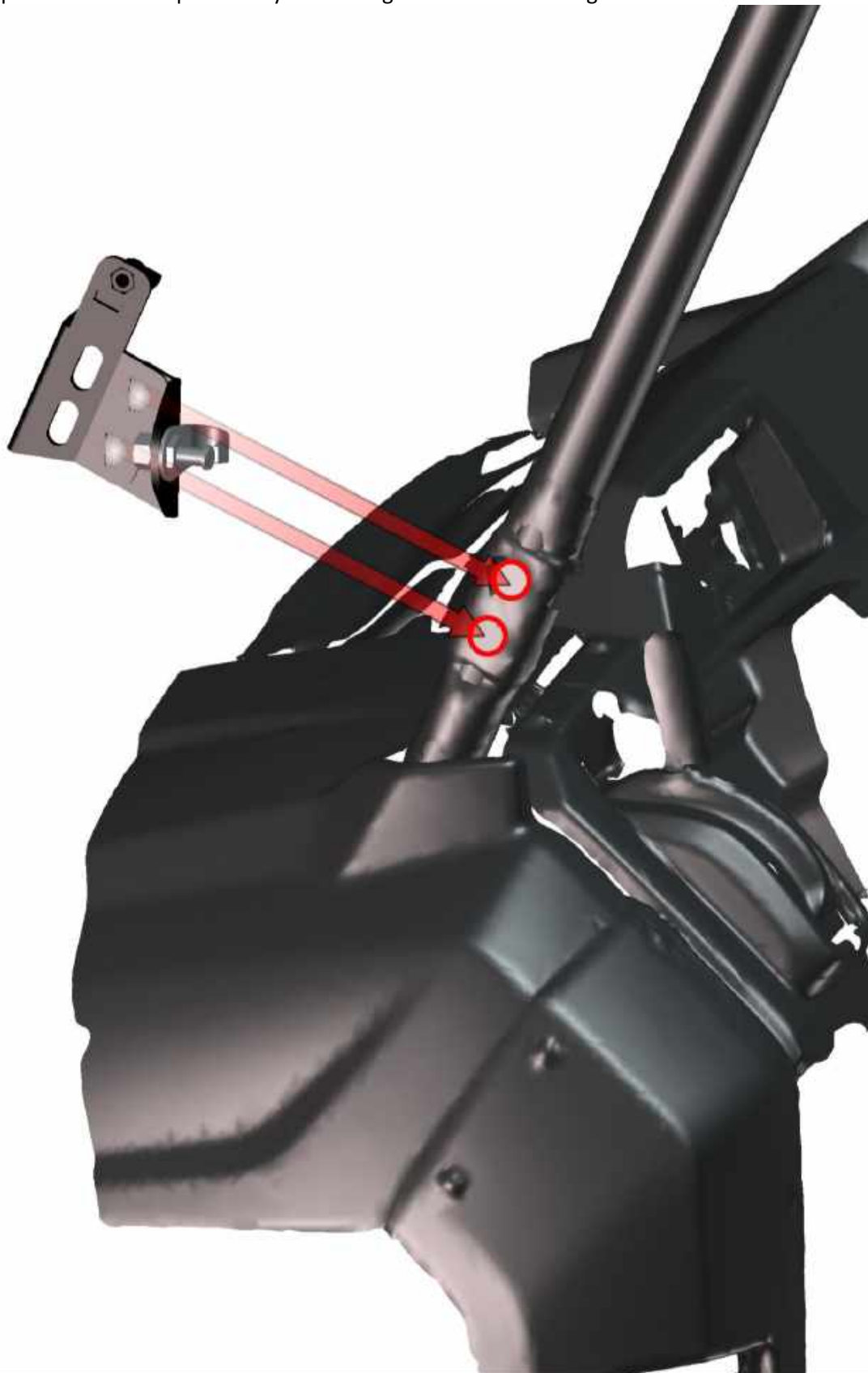
Fix the door stop holder with the front holder by screws, washers, nuts and covers.

**Use the LEFT door stop holder and LEFT front ledge holder(on picture) on LEFT side of the roller cage.**

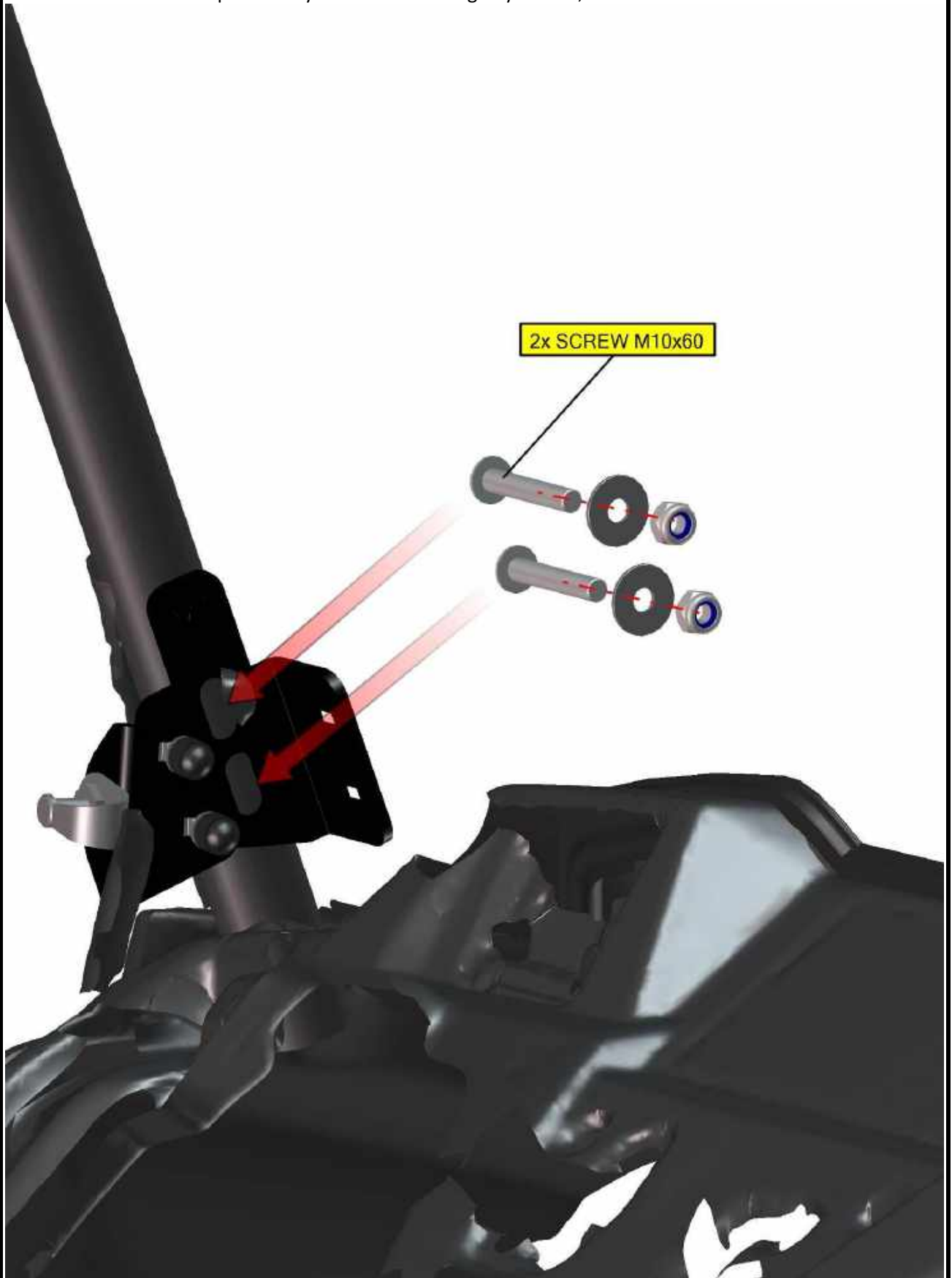
**YOU CAN'T MAKE MISTAKE BETWEEN LEFT AND RIGHT PARTS, IF YOU MAKE MISTAKE, YOU ARE GOING TO HAVE BIG PROBLEM WITH DOOR STOP ADJUSTING!**



Uninstall original screws, nuts and holders (red circle) from both sides and place the door stop assembly left and right onto the roller cage on both sides.

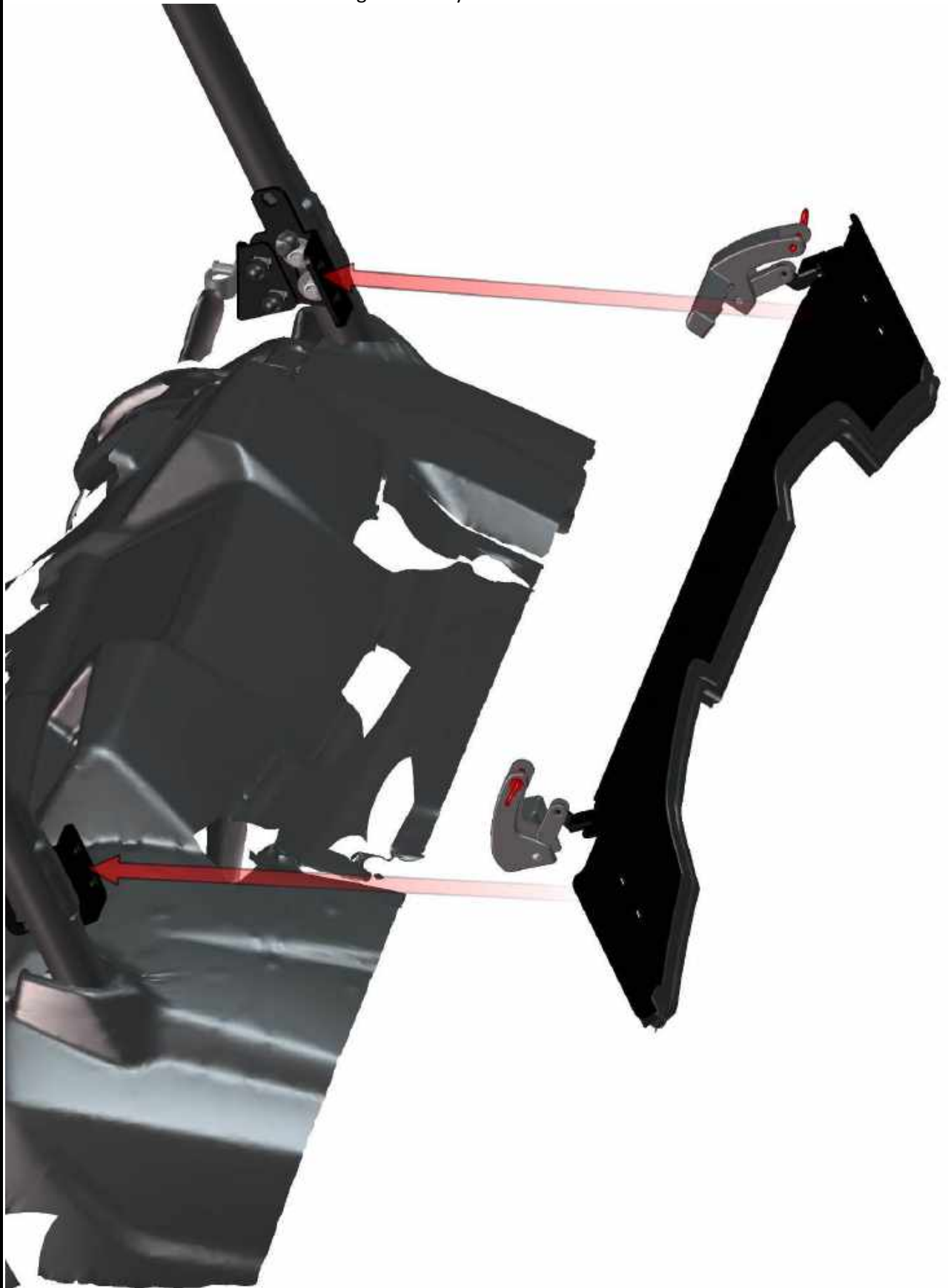


Fix the door stop assembly with the roller cage by screws, washers and nuts on both sides.

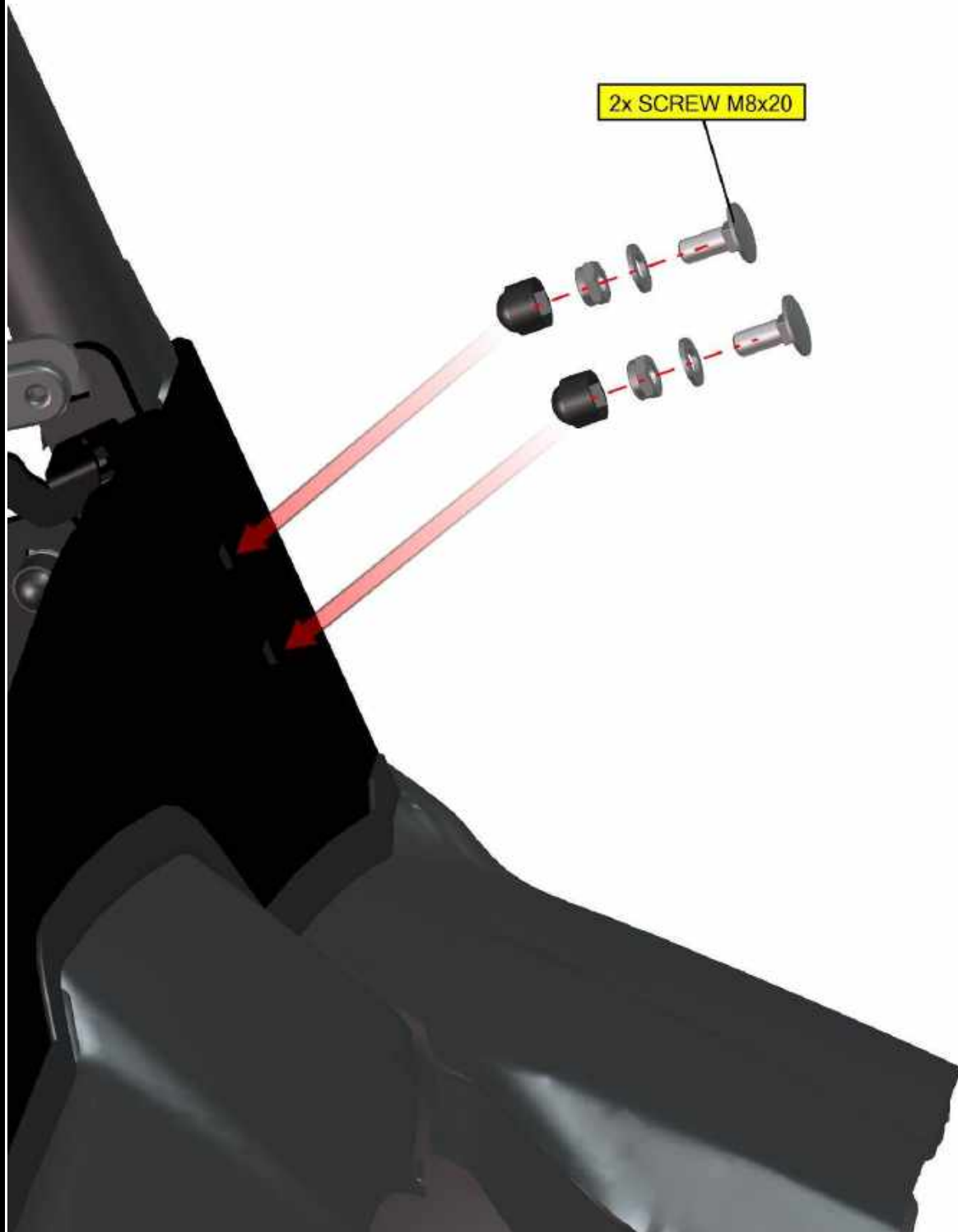




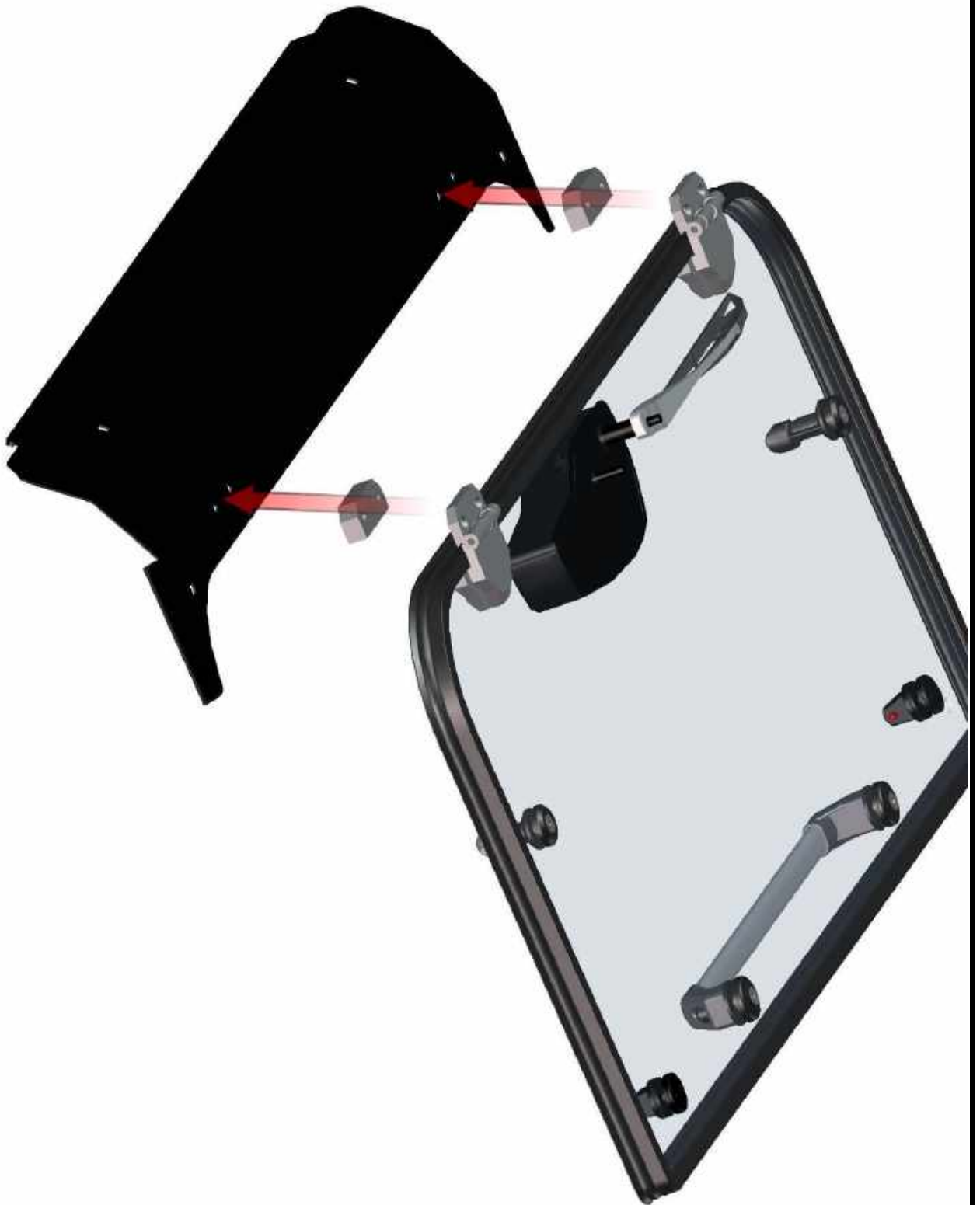
Place the bottom front ledge assembly onto the holders and onto the dashboard.



Fix the ledge with the holders by screws, washers, nuts and covers on both sides.

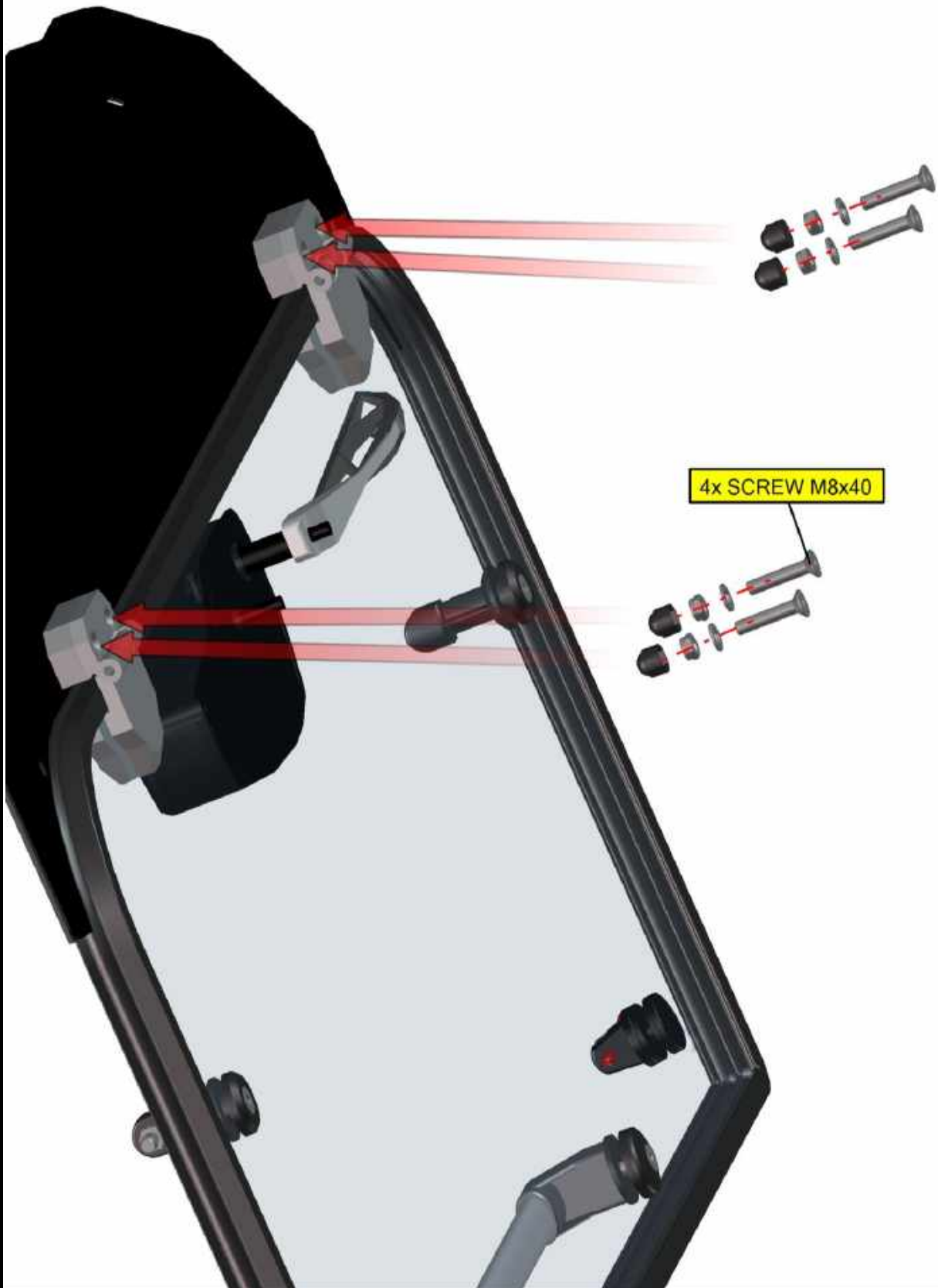


Place the front window assembly with the hinge bases onto the front upper ledge.



35

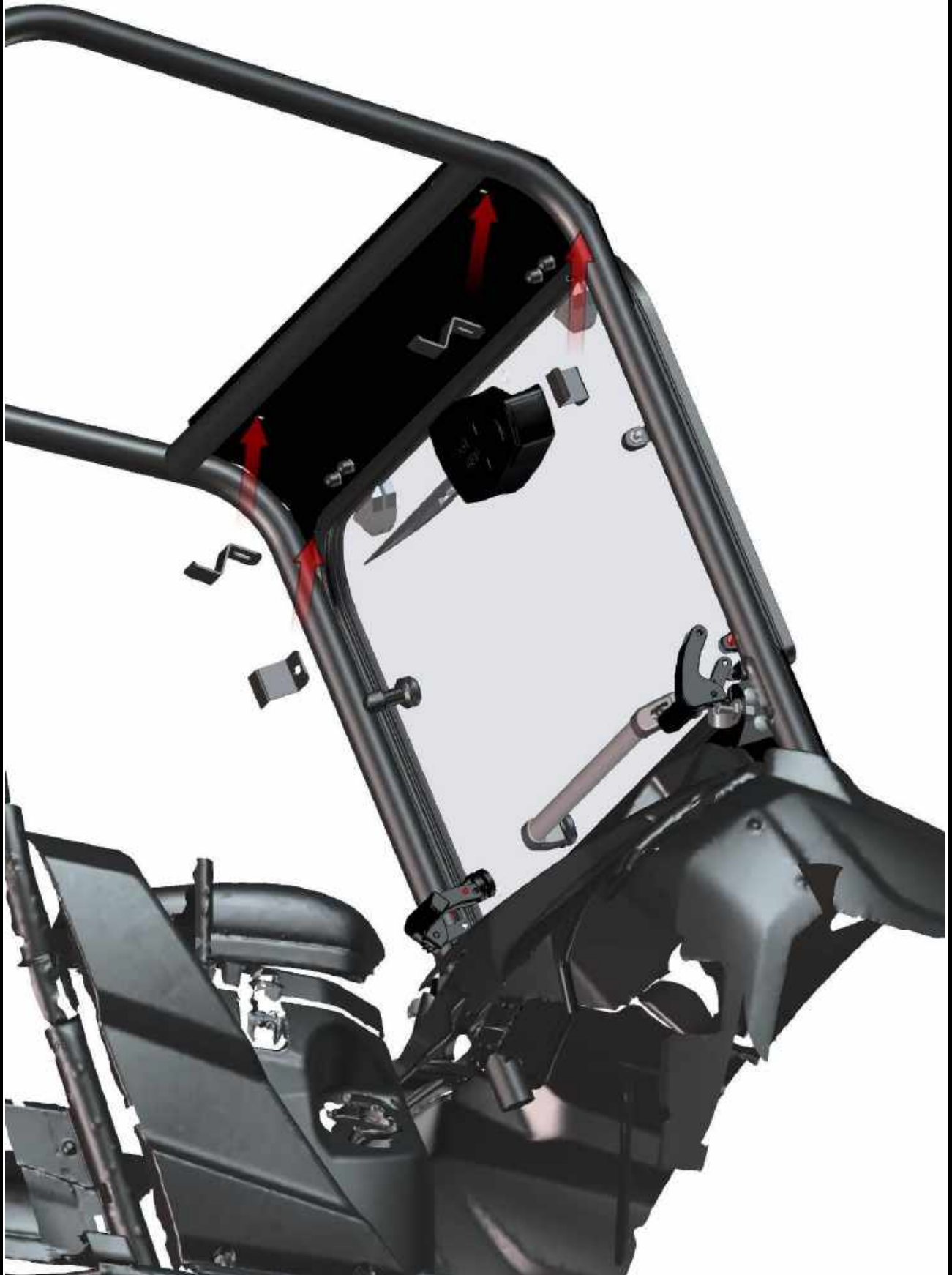
Fix the hinges with the bases and with the ledge by screws, washers, nuts and covers.



Place the front window assembly with the upper ledge onto the roller cage.



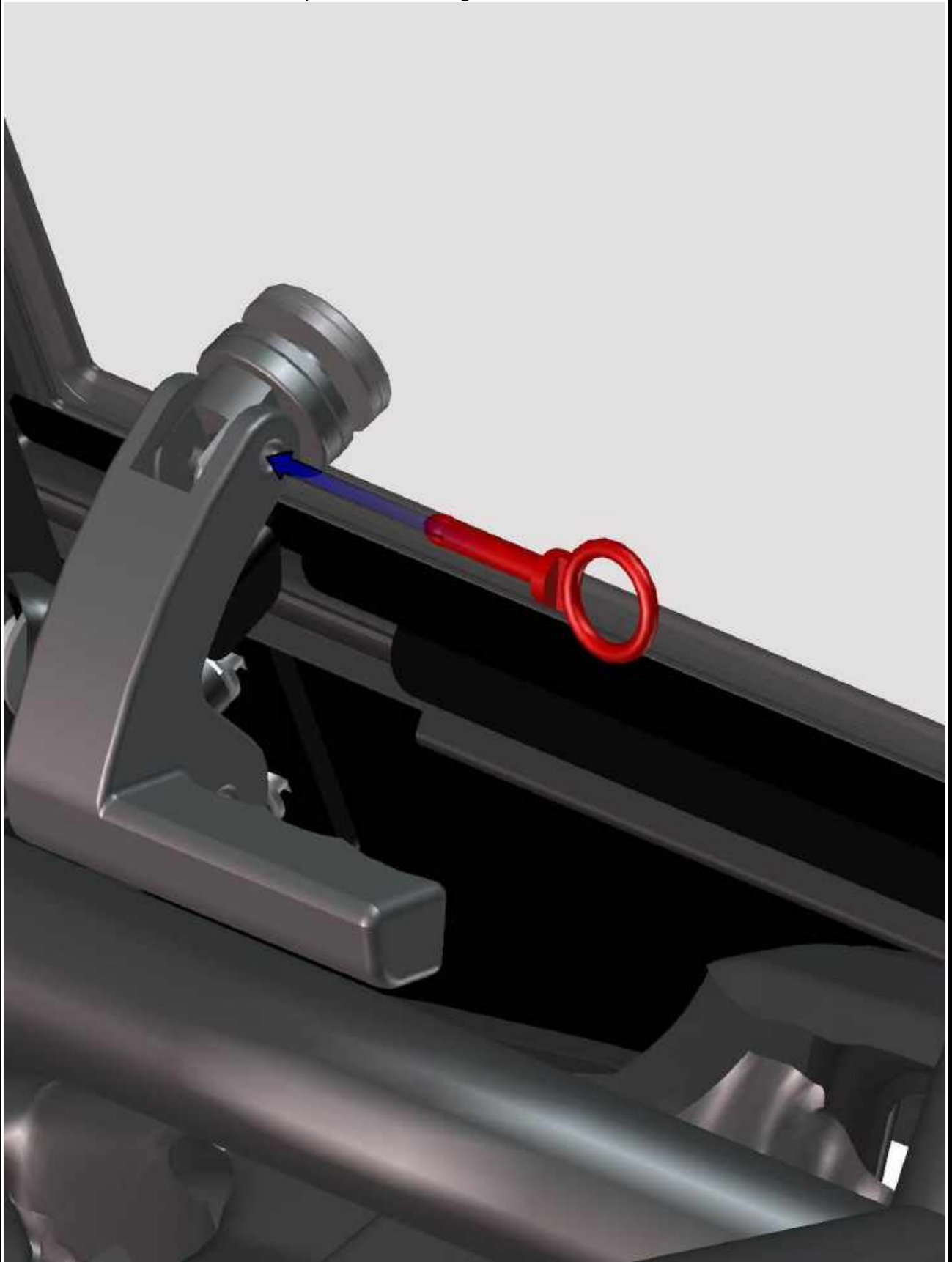
Place the holders onto the front upper ledge and onto the roller cage.



Fix the holders with the ledge to the rollercage by screws, washers, nuts and covers.



Insert pins into the front glass holders on both sides.



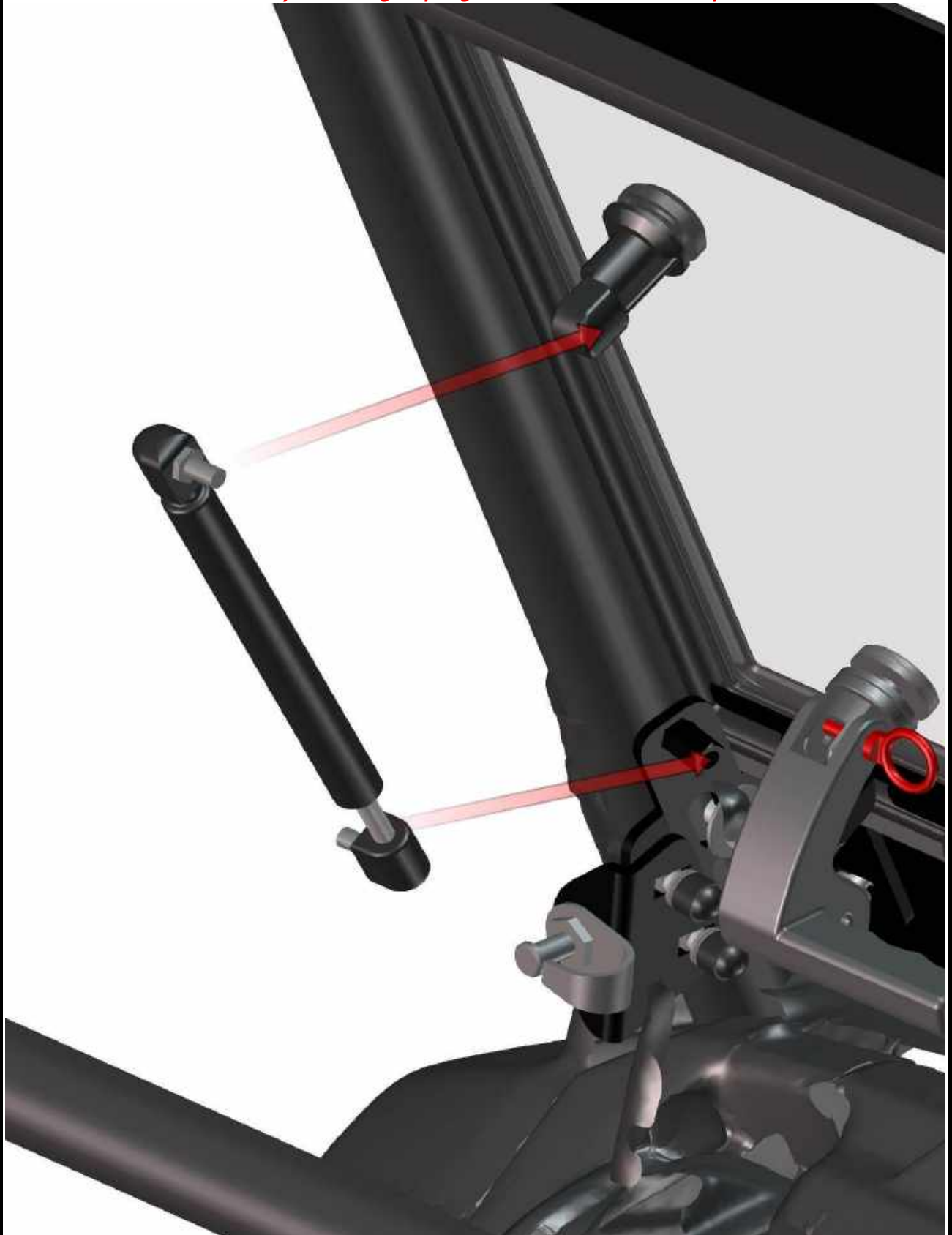
40



Loos the glass lock holder's nuts and adjust holders to best position on both sides.  
If you face any gapes between the sealing and bottom ledge you can repair it by adjusting these holders.



Install the gas springs into the holders on both sides.  
*It is necessary to install gas spring in same orientation like in picture.*



**ELECTROINSTALLATION-WIPER+WASHER step 2.**

Lead the harness branch around the roller cage to the front wiper motor.



Connect the harness branch with the wiper motor connector.



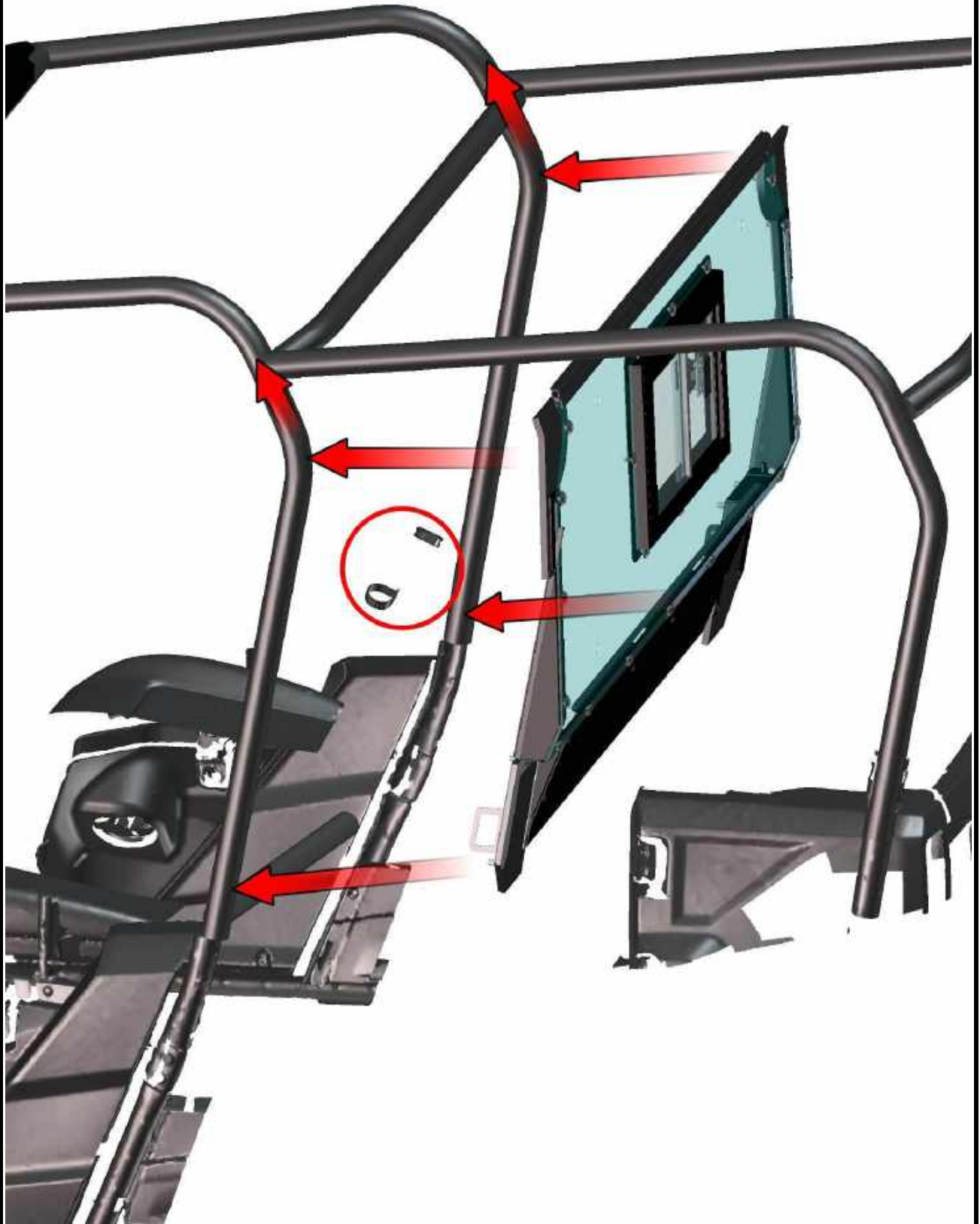
Connect the washer hose from the harness with the washer hose from wiper arm by included tube.



Fill washer liquide into the washer tank befor first usage.

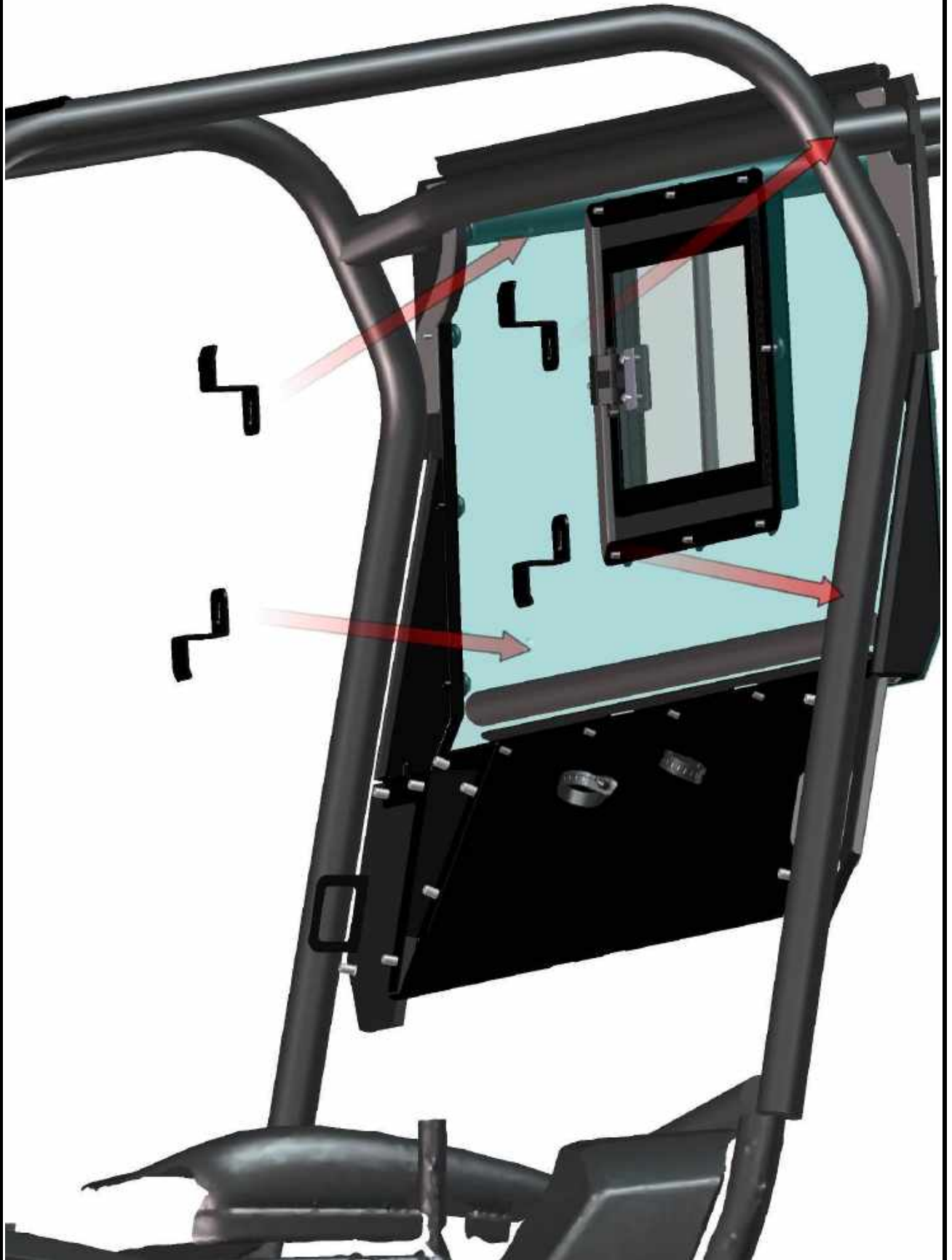
REAR MIDDLE PANEL

Place the tightening straps onto the middle rear roller cage and place the rear middle assembly onto the roller cage.



45

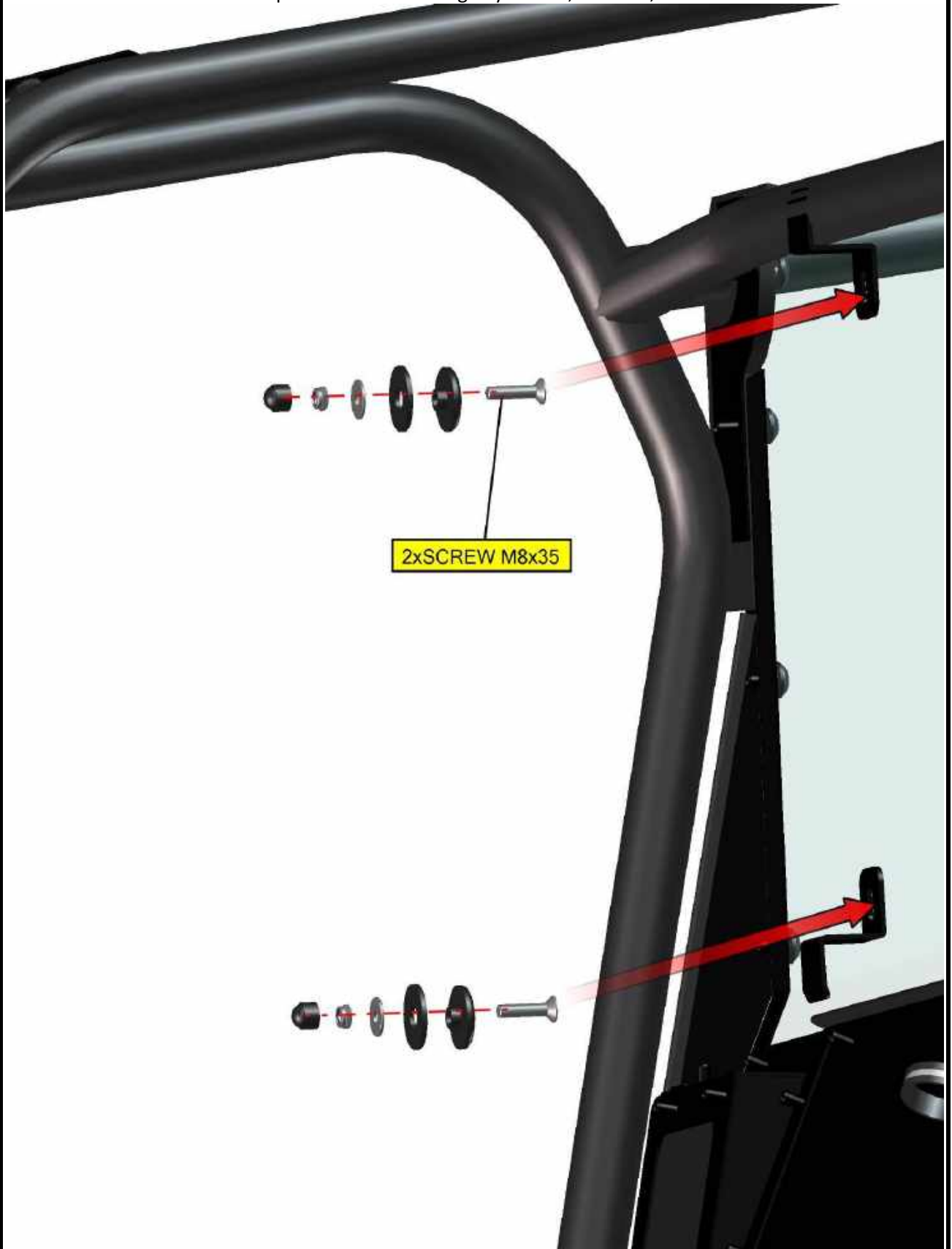
Fix the tightening straps with the middle rear ledge to the roller cage by screws, washers, nuts and covers.



Place the holders onto the rear panel and onto the roller cage.



Fix the holders with the rear panel to the roller cage by screws, washers, nuts and covers on both sides.



Adjust the rear middle panel to best position and tighten screws and nuts correctly.



**FRONT LEFT DOOR + RIGHT DOOR 1.**

Uninstall original screws and holder (in red circle) from the roller cage.

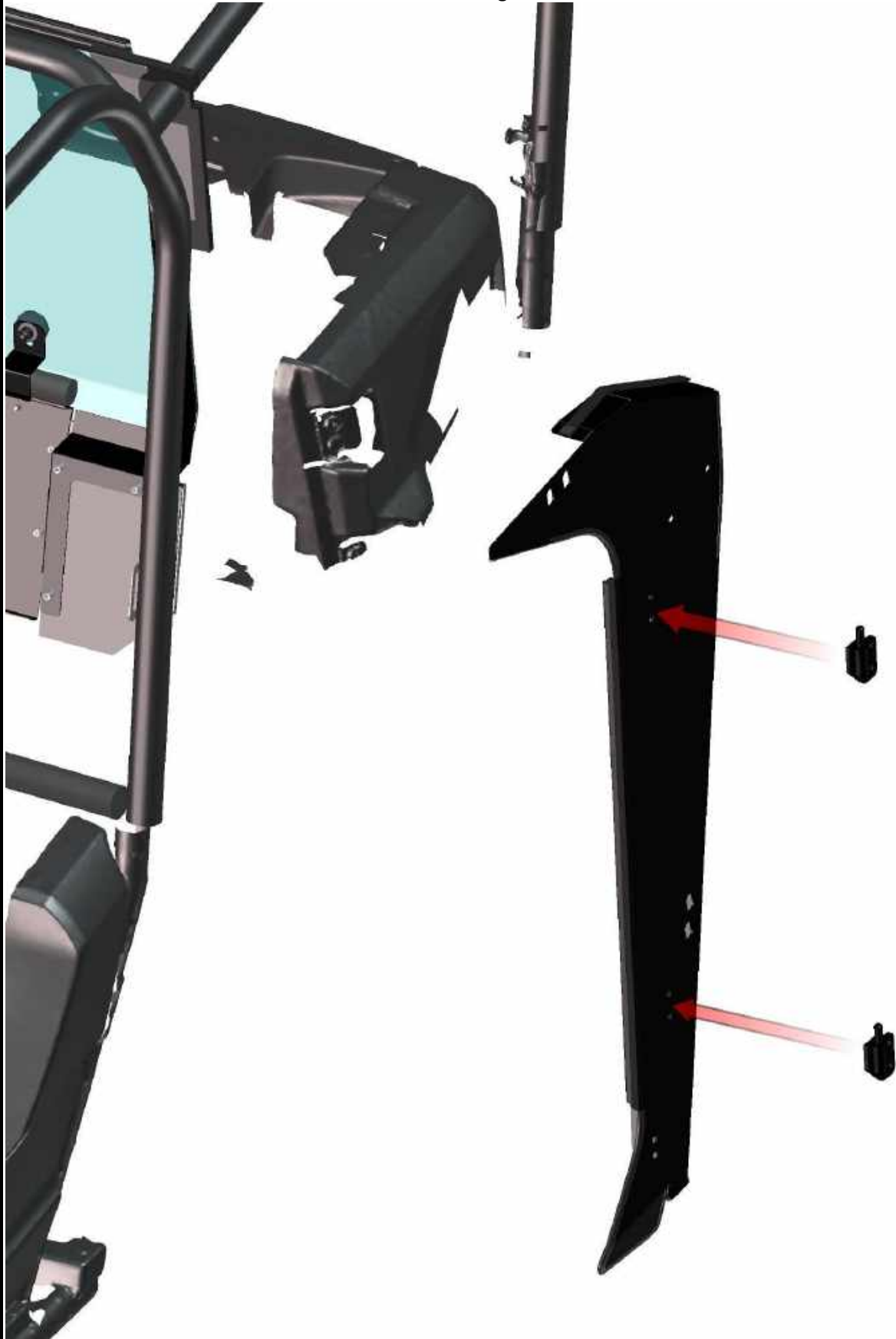


Uninstall original screws and nuts (in red circle) from the roller cage.

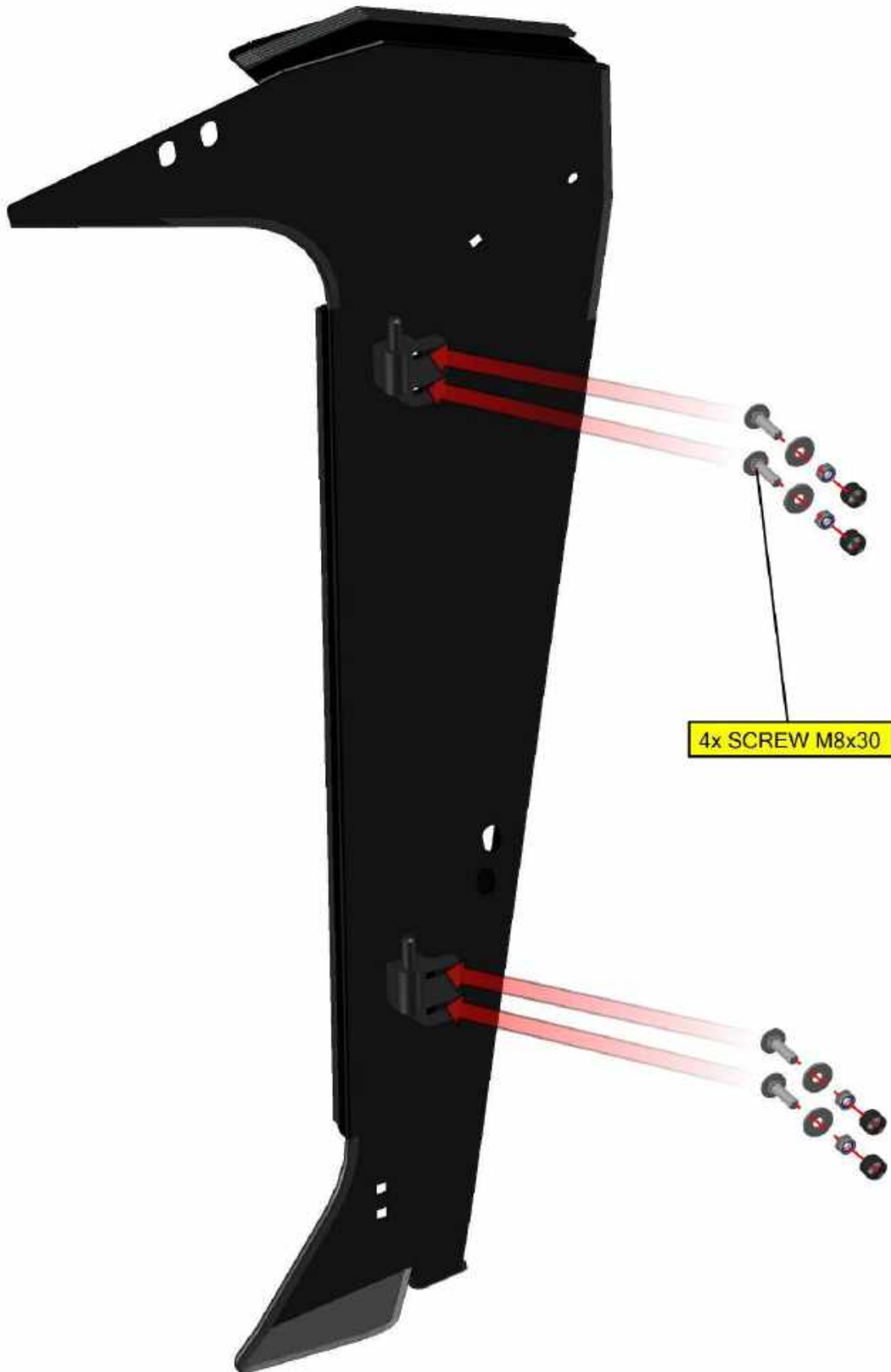


50

Place the left front door base hinges onto the left front door base.



Fix the door base hinges with the door base by screws, washers, nuts and covers.



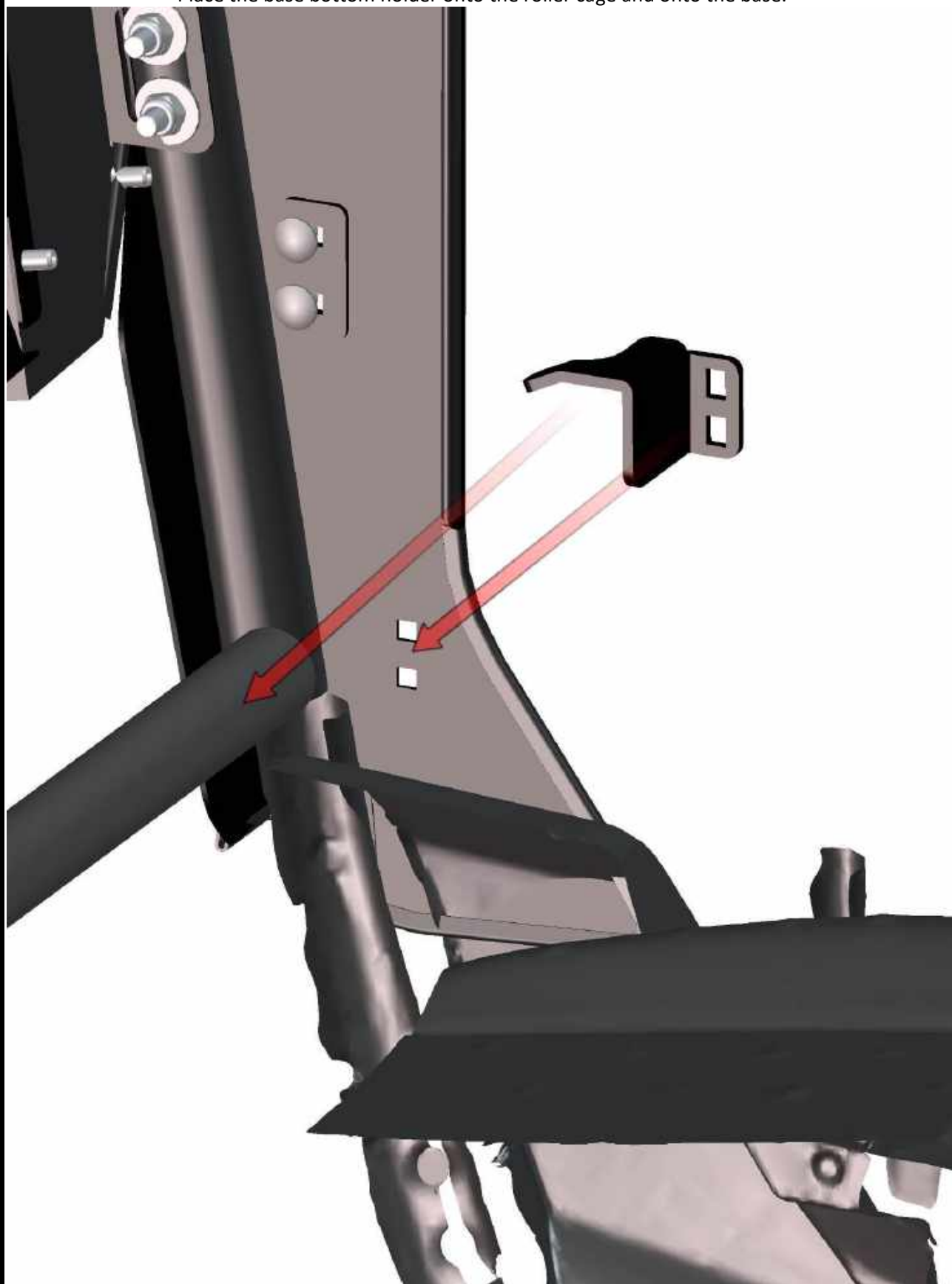
Place the front door base onto the roller cage and adjust to correct position.



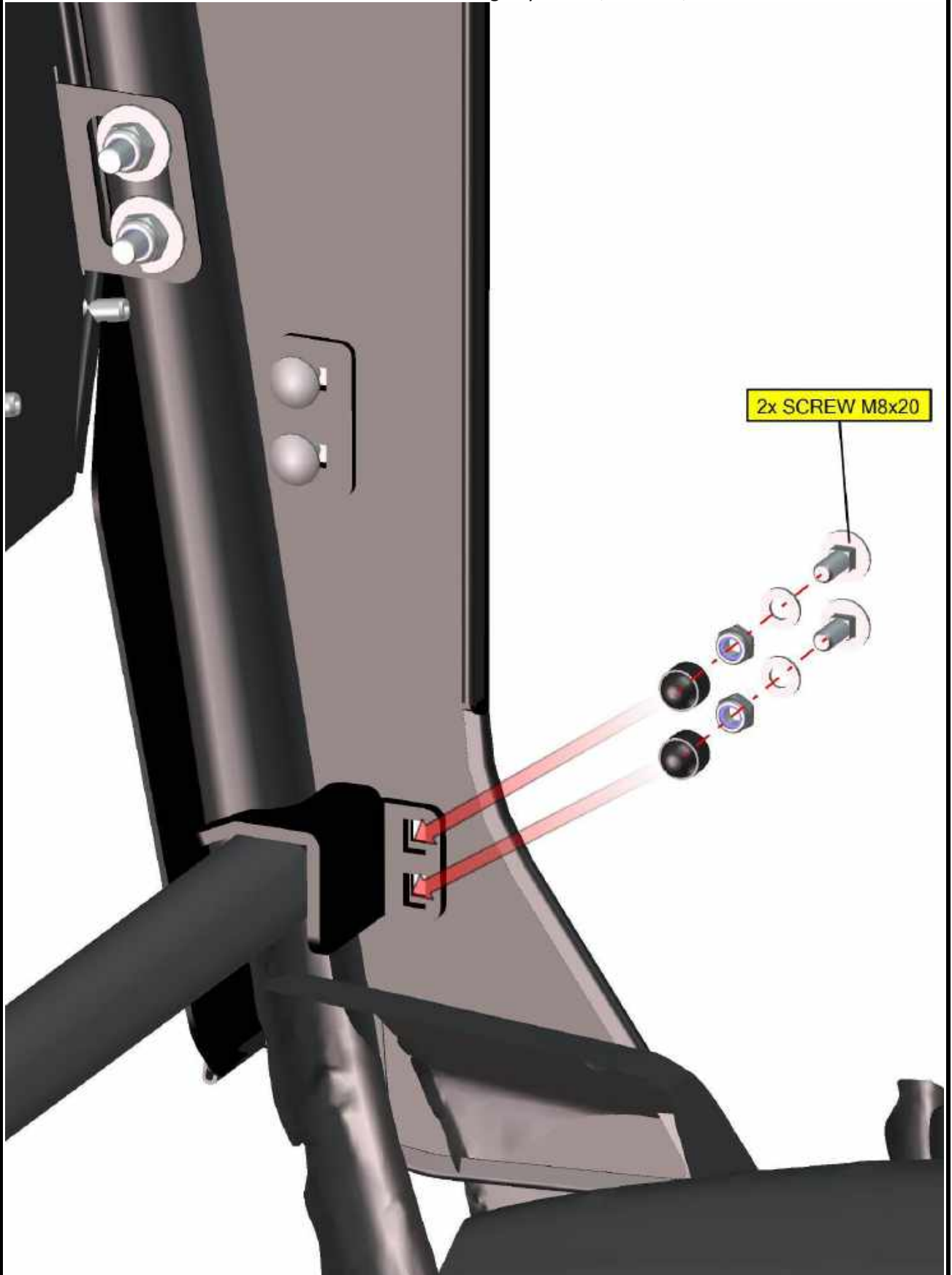
Fix the door base with the roller cage by screws, washers, nuts and covers (through original fixing points).



Place the base bottom holder onto the roller cage and onto the base.

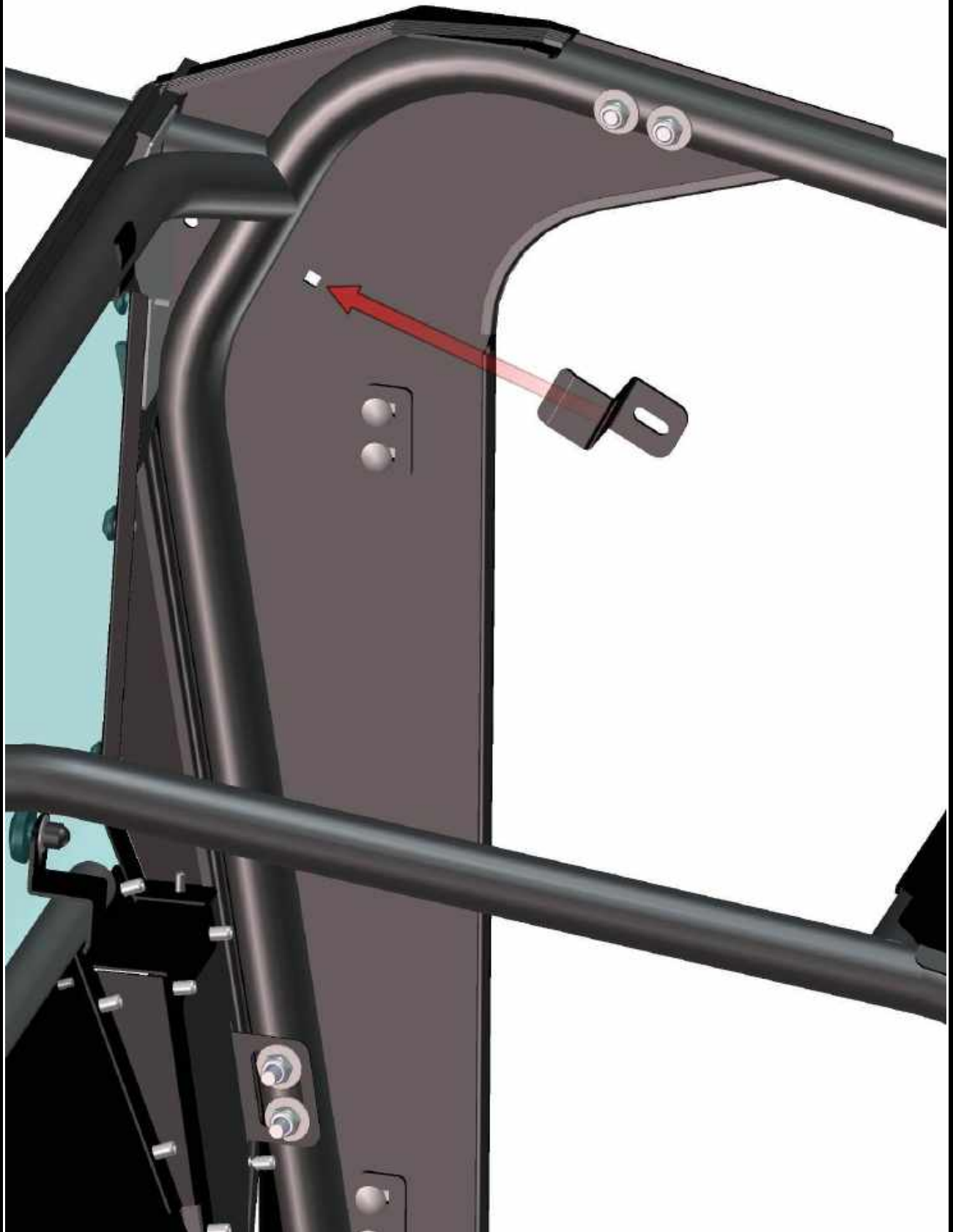


Fix the holder with the base to the roller cage by screws, washers, nuts and covers.

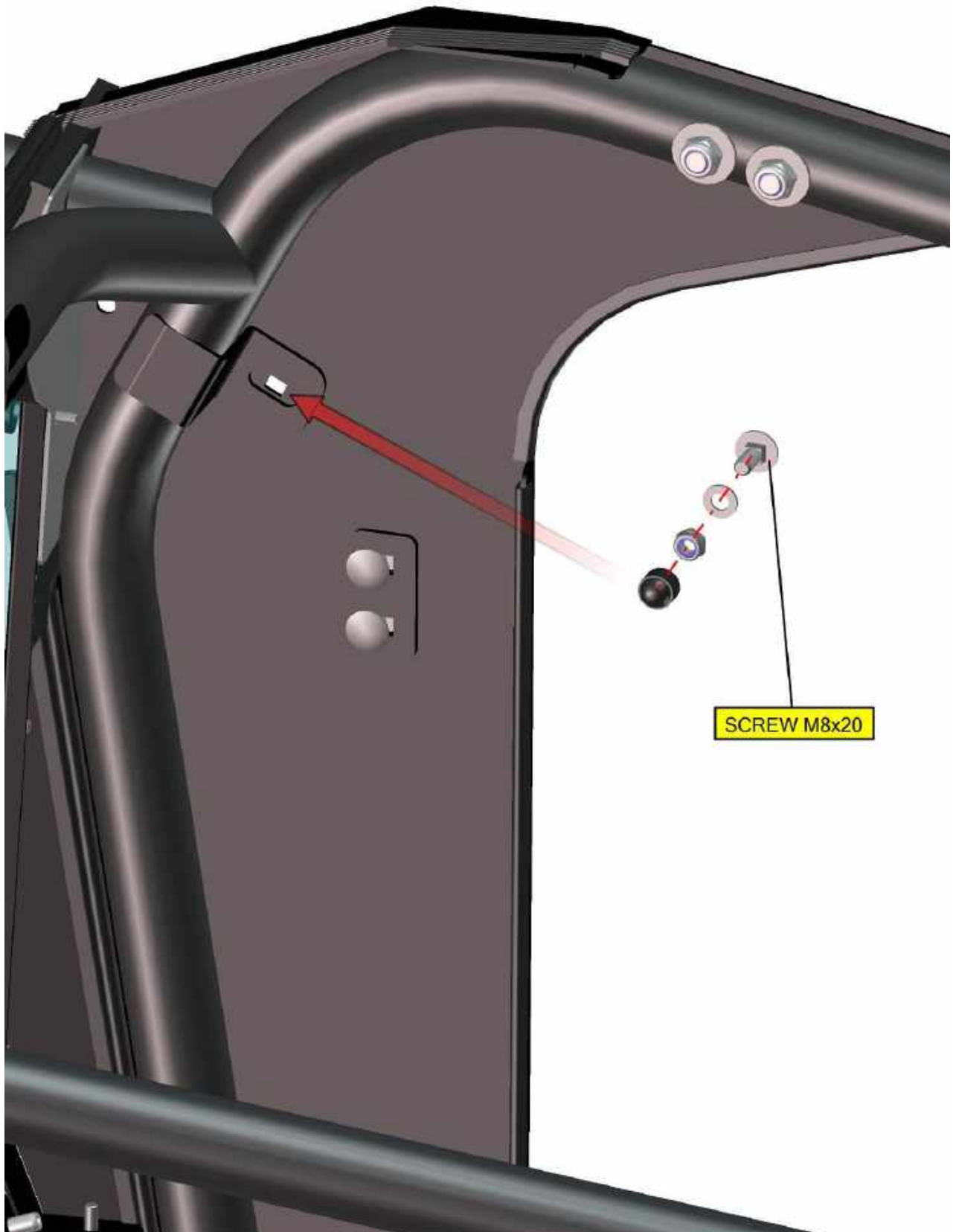




Place the upper holder onto the base and onto the roller cage.



Fix the holder with the base to the roller cage by screw, washer, nut and cover.

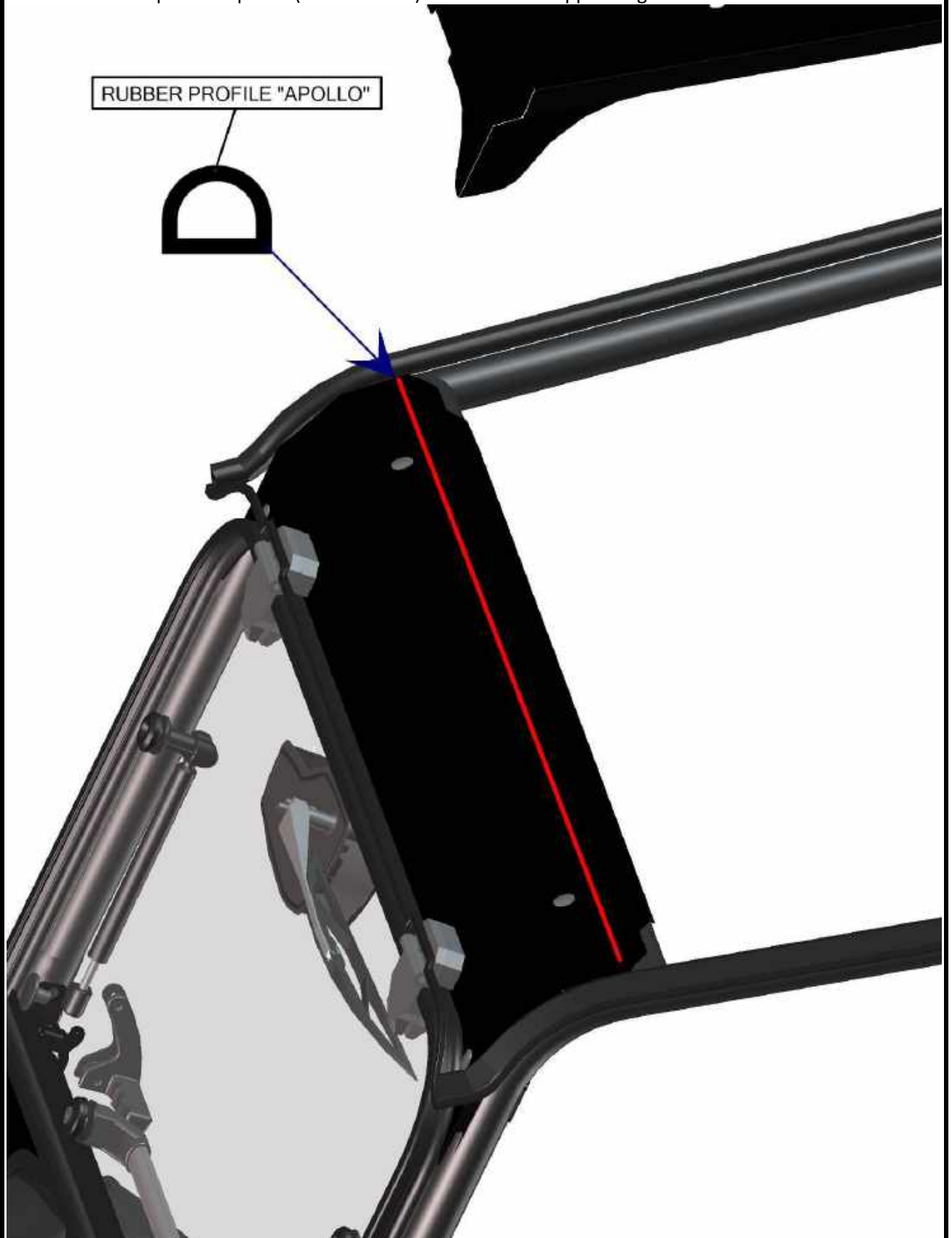


58

Tighten door base's screws and nuts hard.  
Repeat previous steps with the right parts on right side of the UTV.

ROOF

Stick the rubber profile "apollo" (self-adhesive) onto the front upper ledge in accordance with the red line.



Place the front roof onto the roller cage, door bases and front upper ledge.



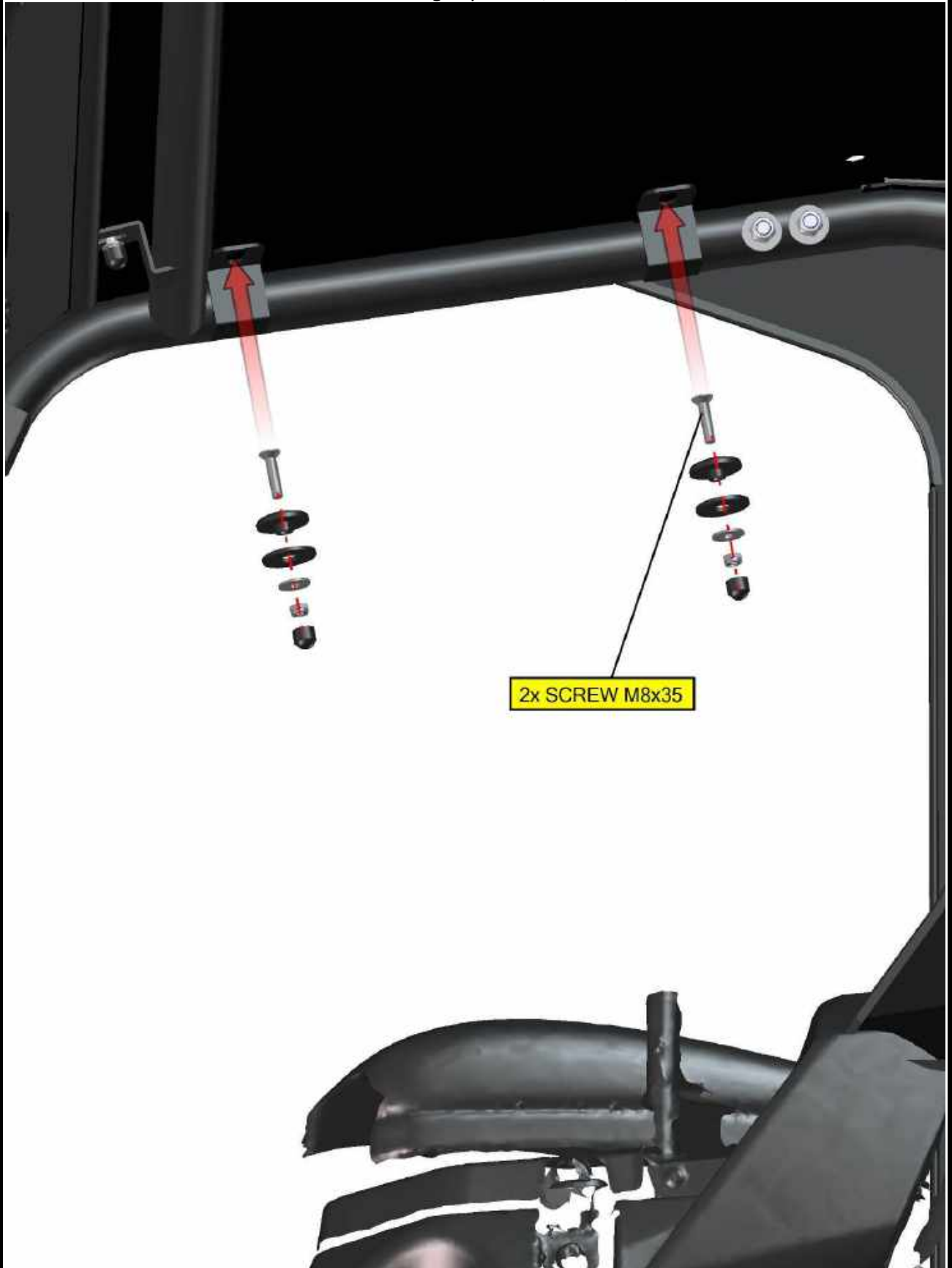
60

Adjust the front roof to best position.

Place the roof holders onto the roof and onto the roller cage on both sides.



Fix the roof with the holders to the roller cage by screws, washers, nuts and covers on both sides.



Place the roof rear holders onto the roof and onto the roller cage.



63

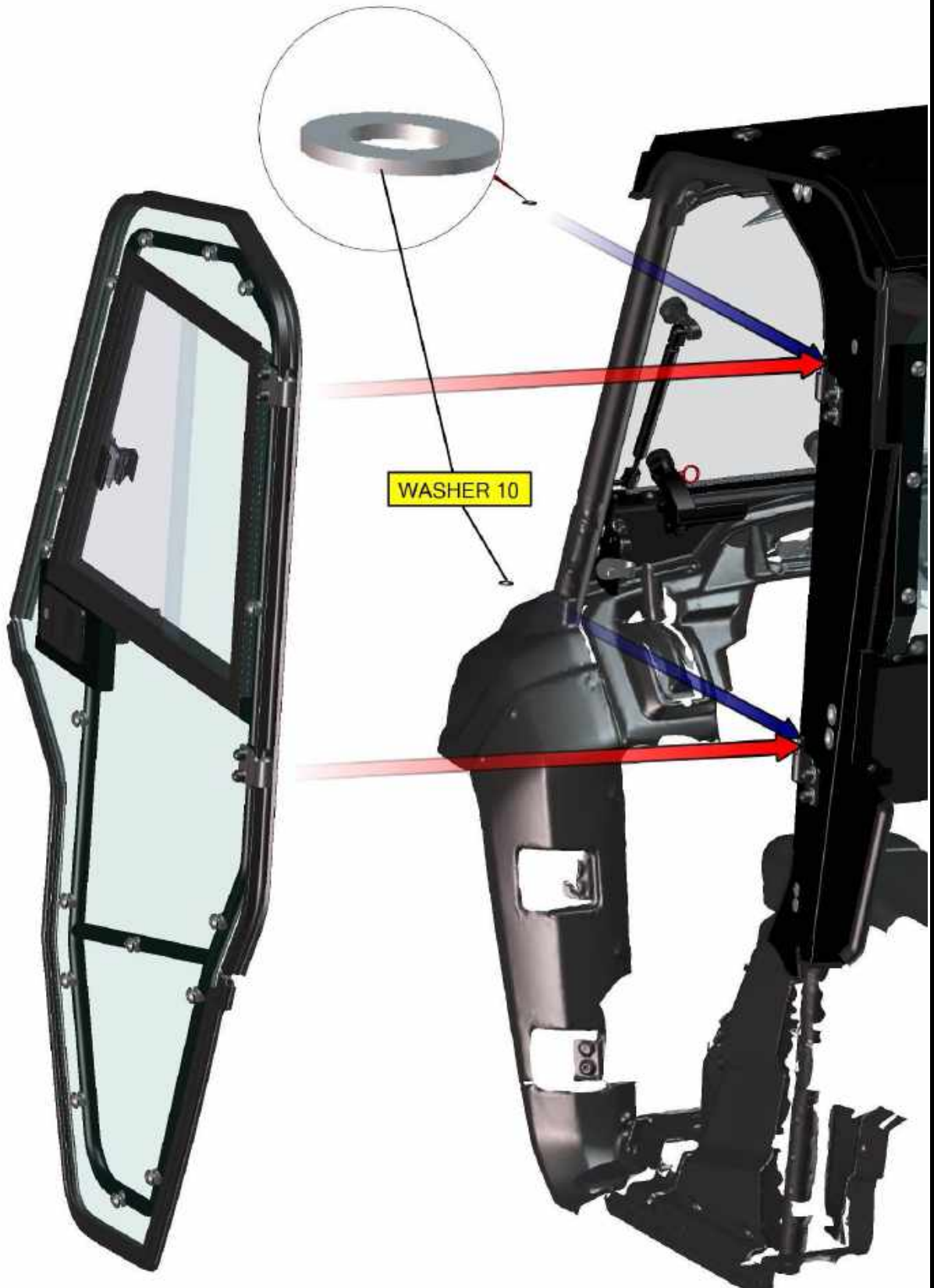
Fix the roof with the holders to the roller cage by screws, washers, nuts and covers.





***FRONT LEFT DOOR + RIGHT DOOR2.***

Lubricate the hinge's pins and insert washers onto the hinges pins.  
Insert the door onto the hinges pins.



Adjust the door by the hinges to best position and tighten hinges nuts hard.

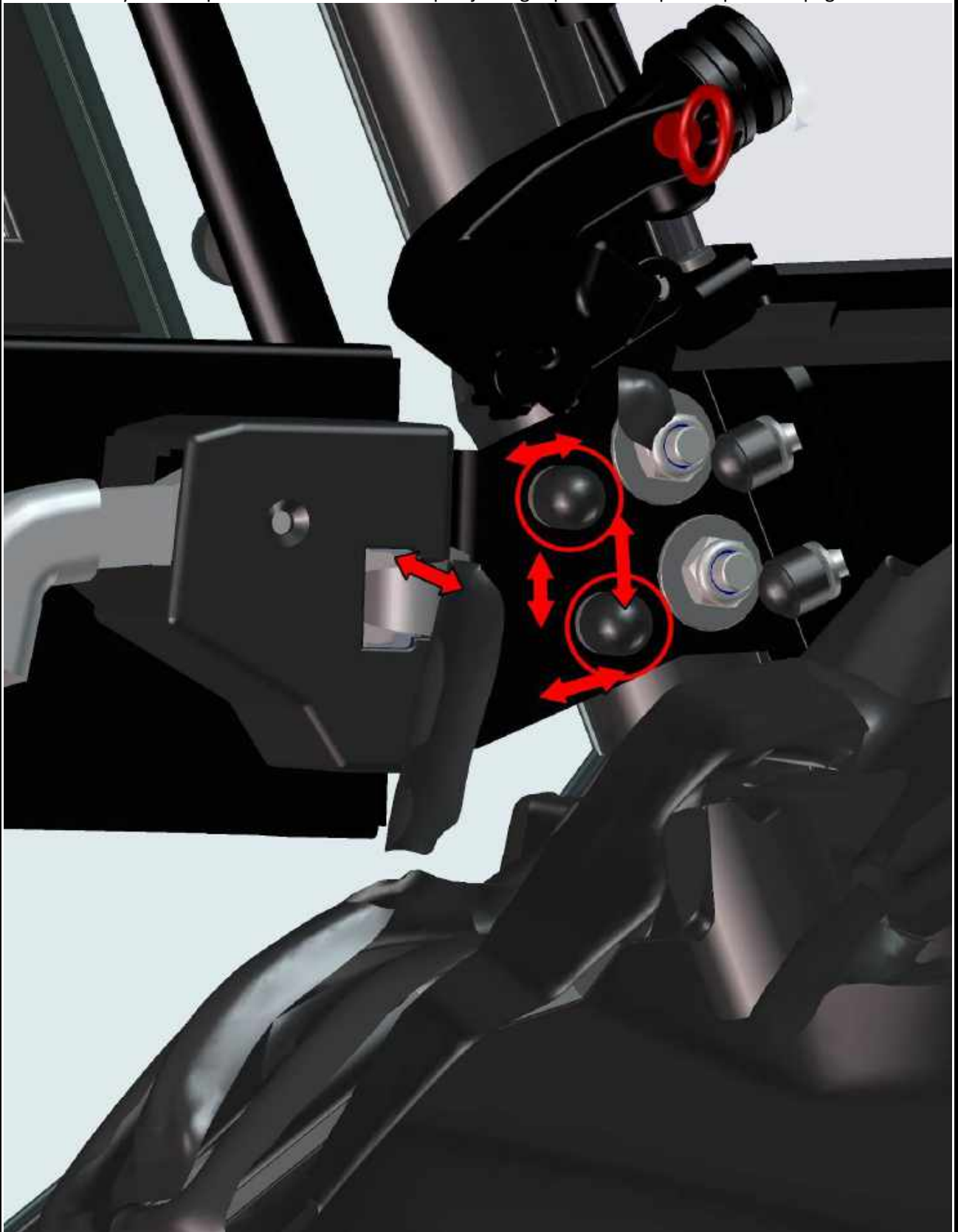


66

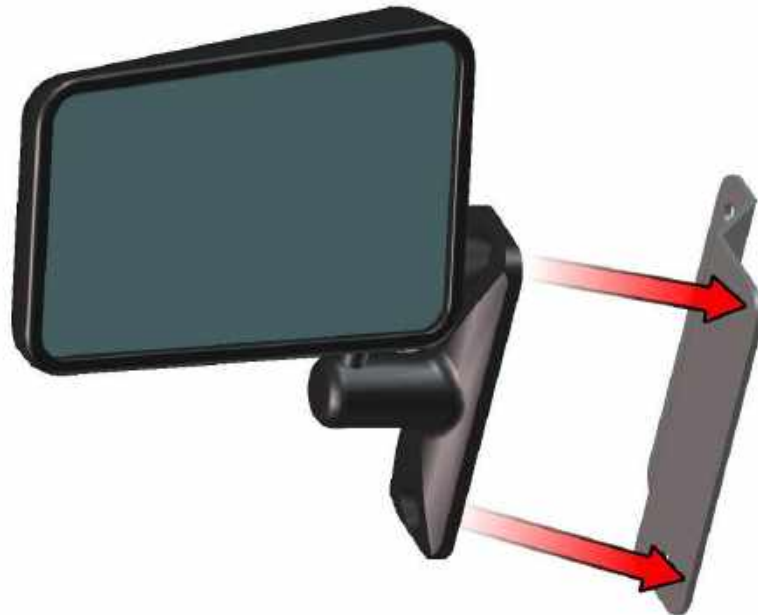
Adjust the door stop holder and the door stop to best position.

***If you close the door slowly and door stop adjusted correctly, you can hear 2 clear metallic click.***

If you have problem with the door stop adjusting repeat the step from previous page.



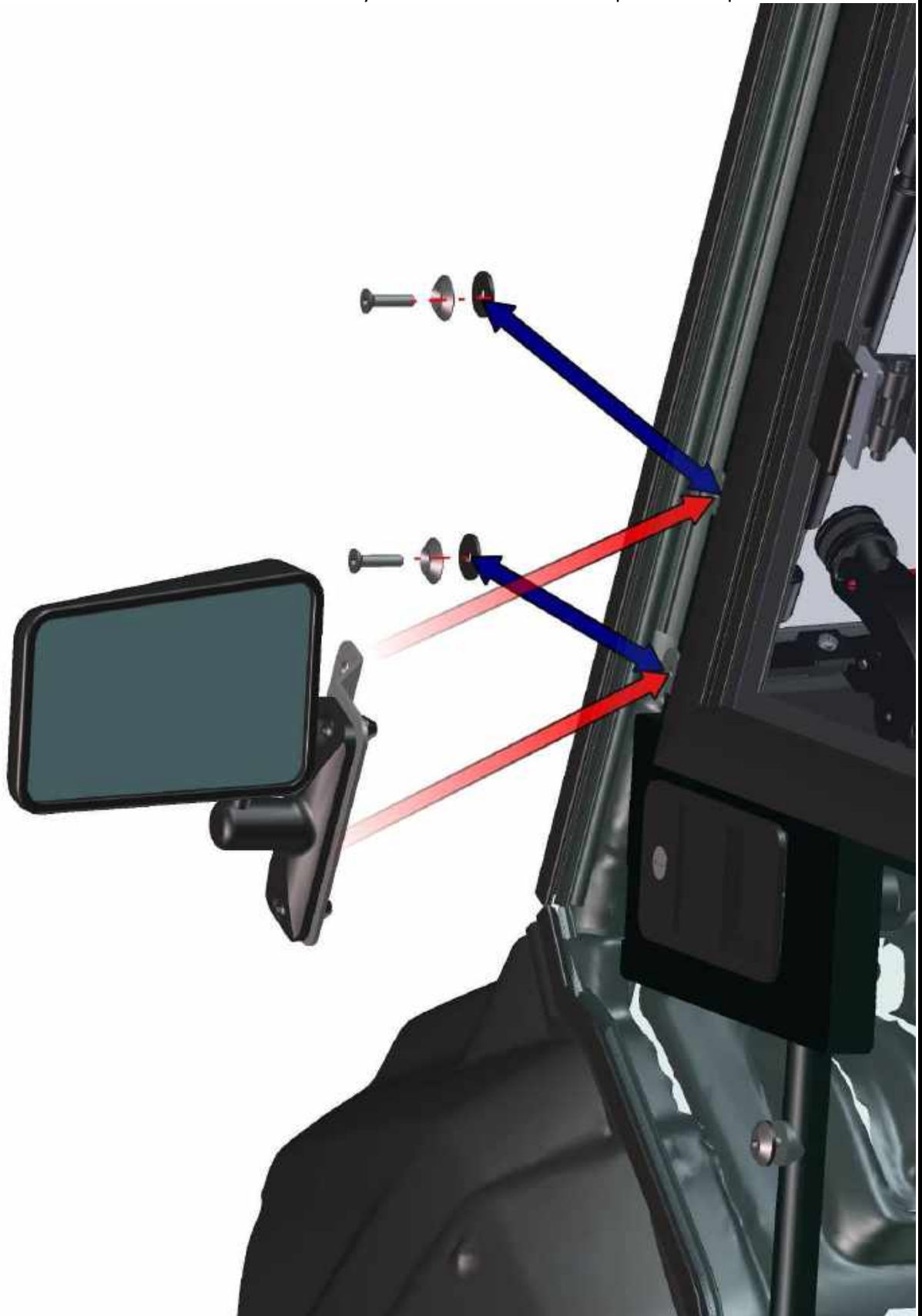
Place the rear mirror to the mirror holder.



Fix the mirror with the holder by screws, washers, nuts and covers.

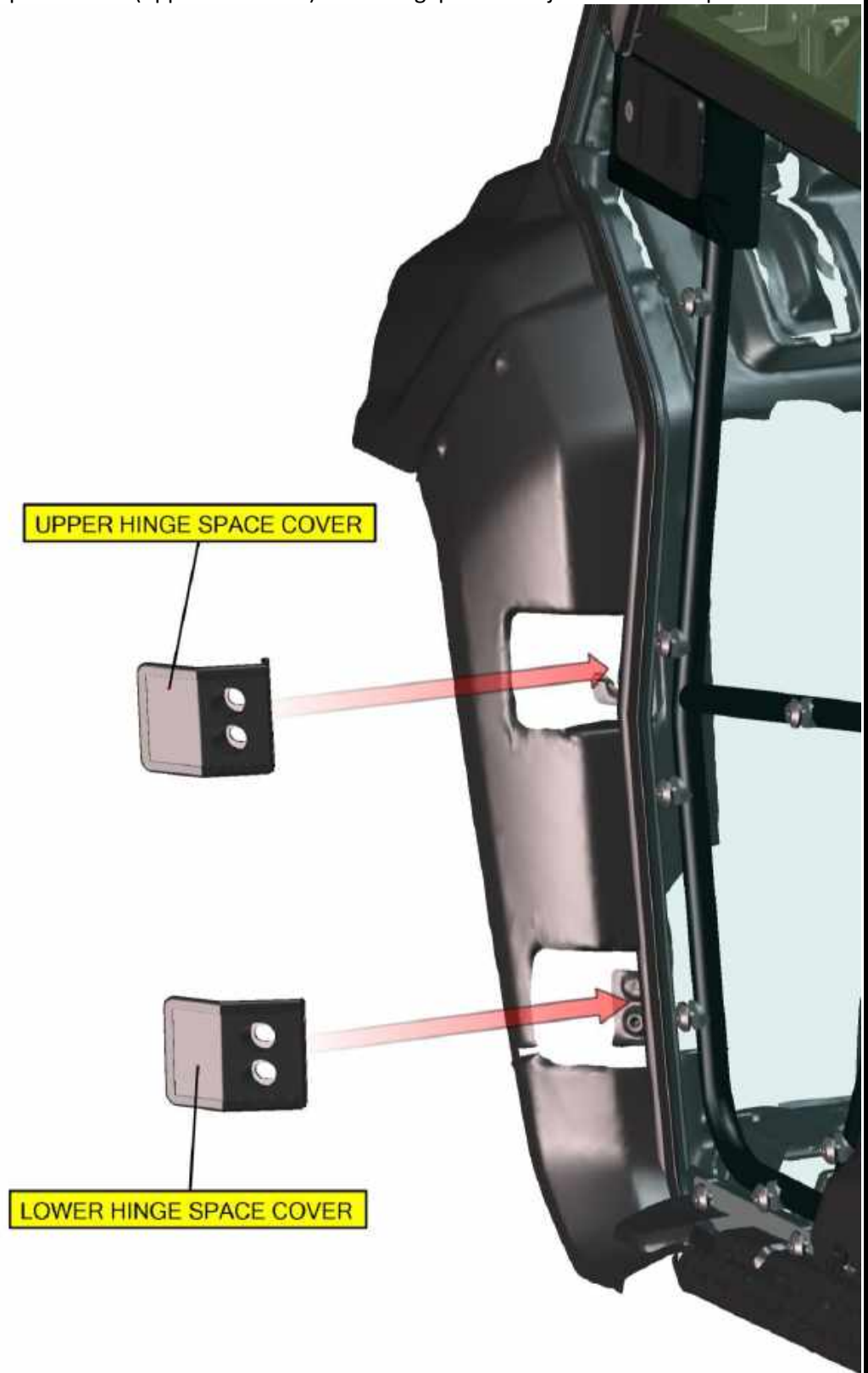


Loosen the screws and washers from the door. Place the mirror with the holder to the door.  
Fix the holder with the door by screws and washers from previous steps.

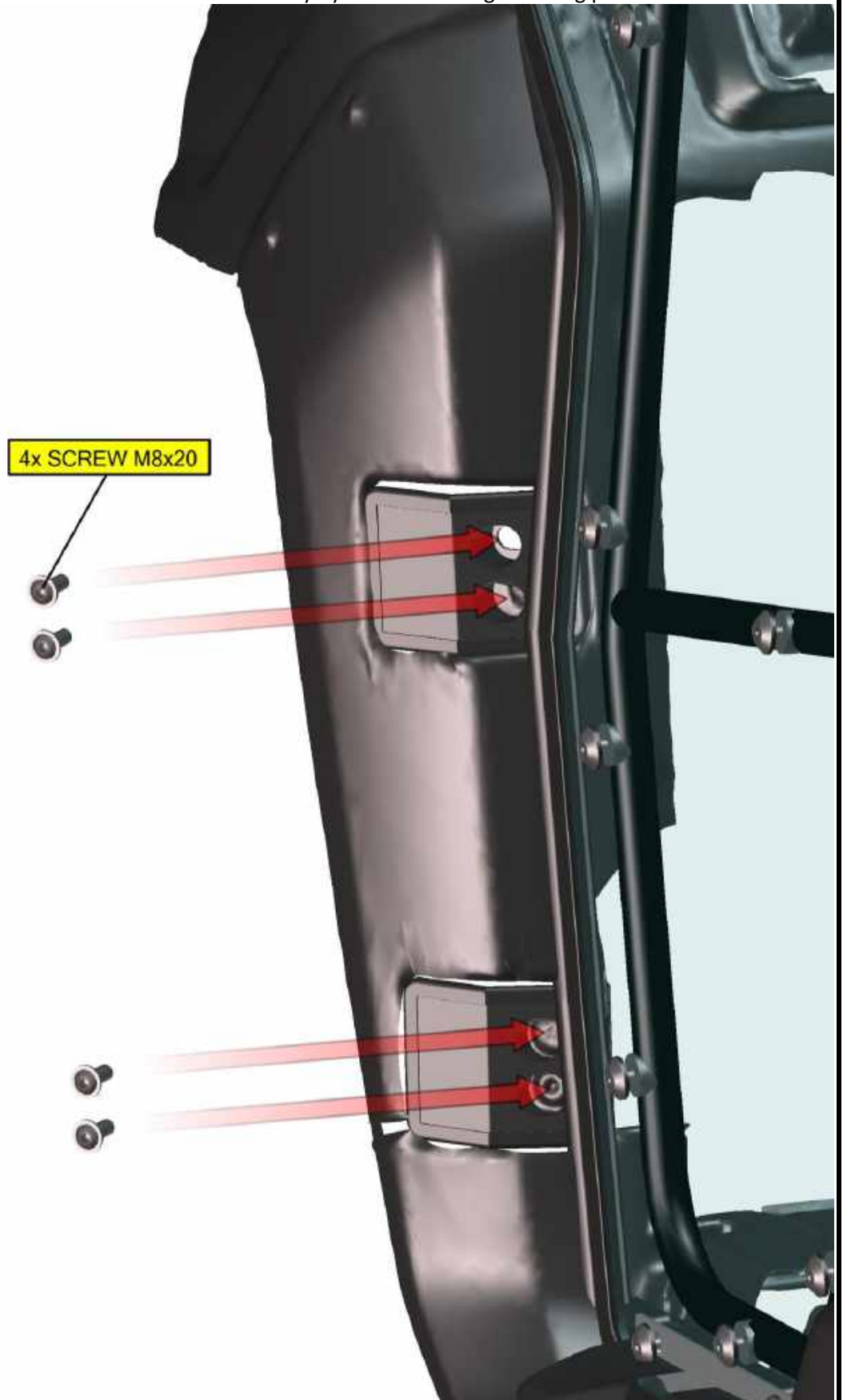


70

Place the hinge space covers (upper and lower) onto the gapes and adjust to the best position.



Fix the covers with the UTV's body by screws and original fixing points.





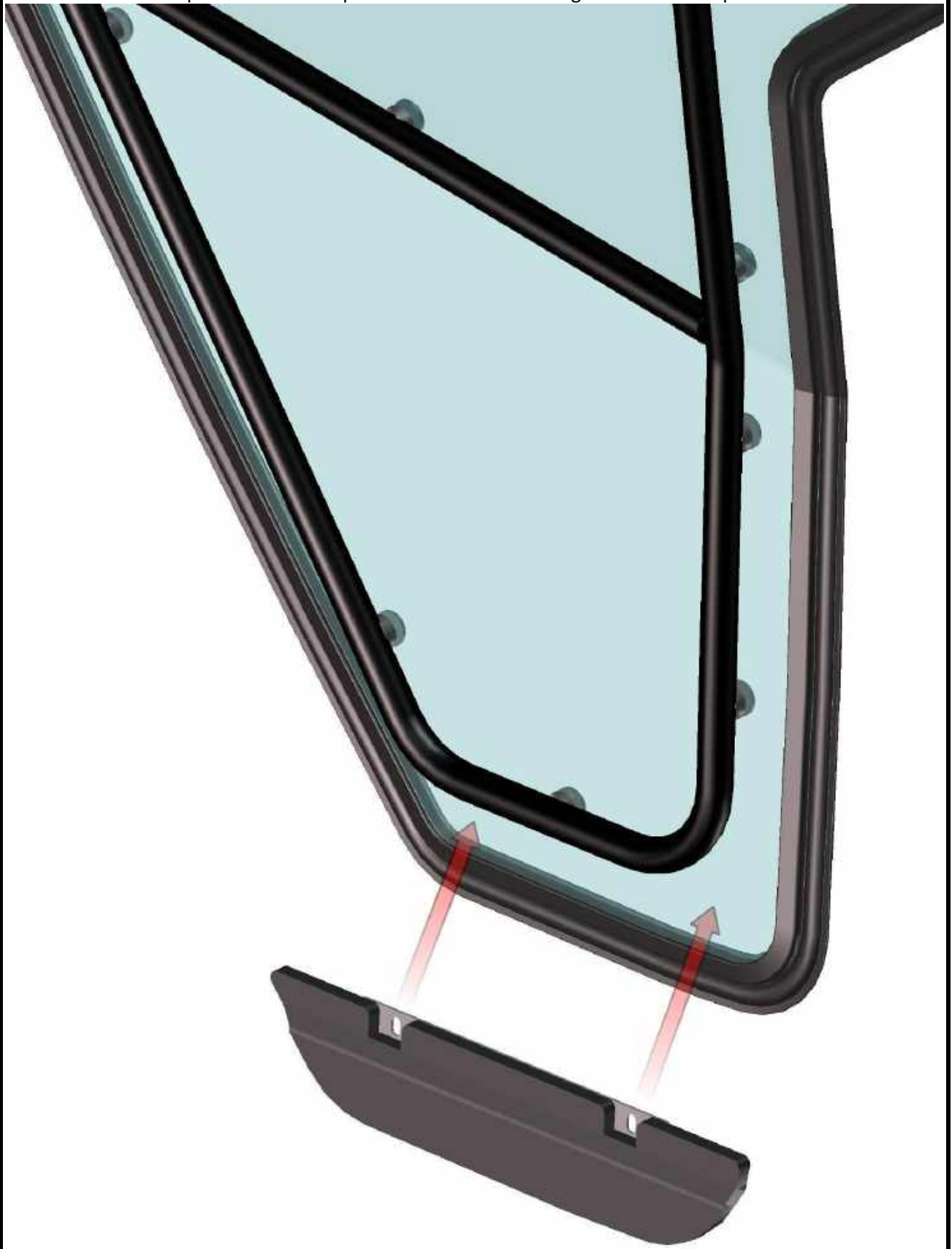
If you have any gapes between the door seal and UTV's floor, see next pages.



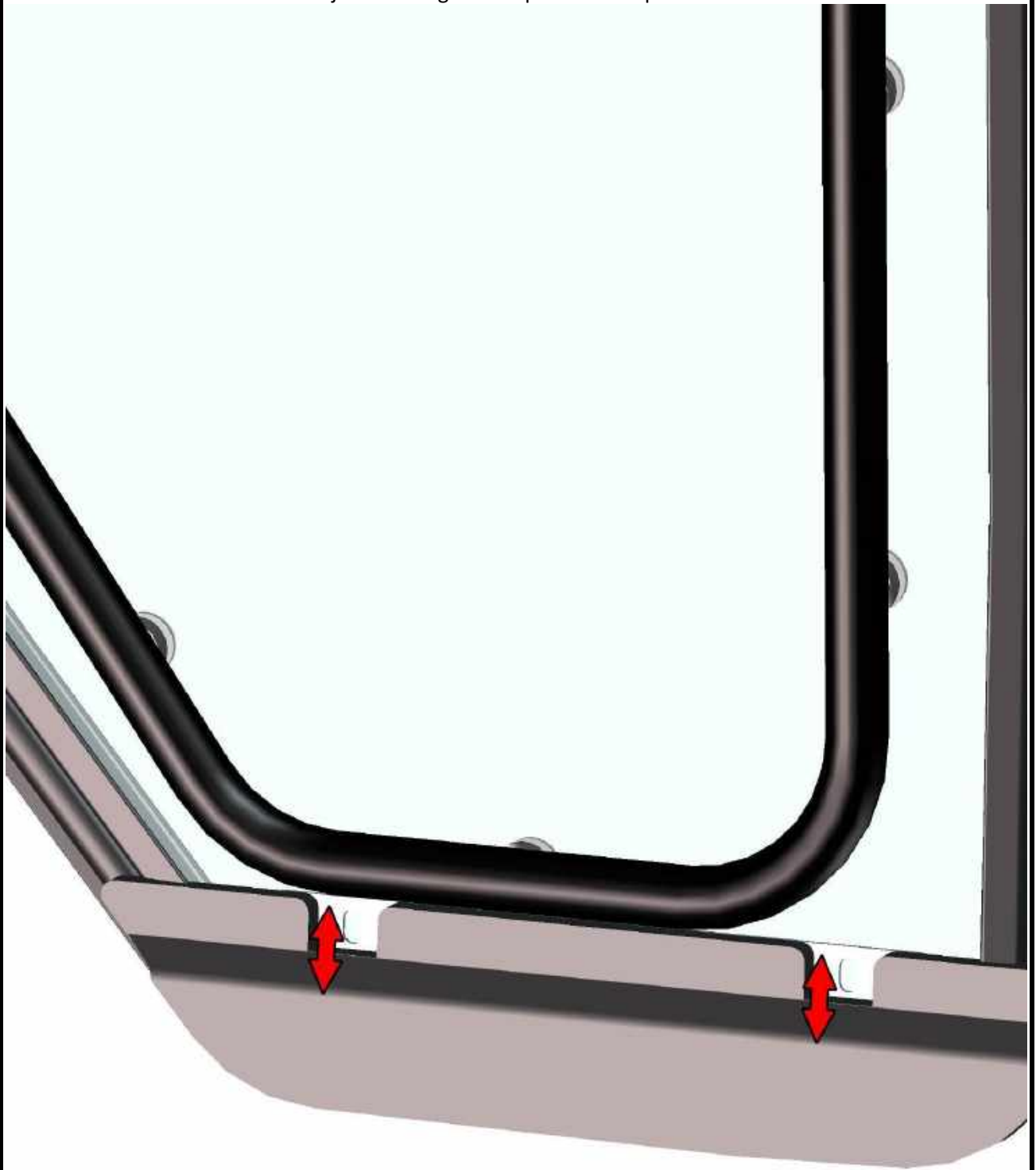
73

If you don't have any gapes, ignore pages no.:74-79.

Open the door and palce the door bottom ledge onto the door panel.

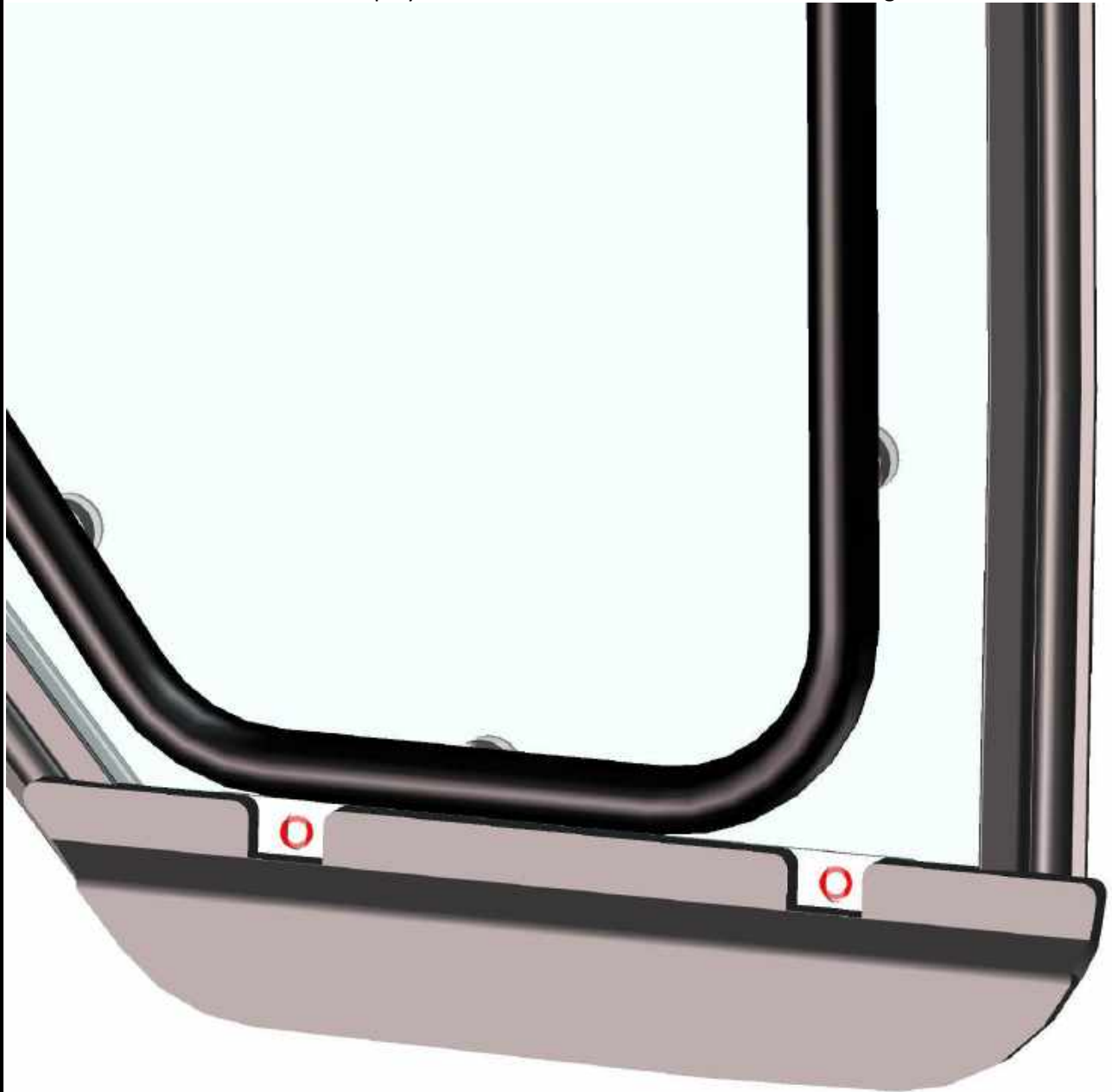


Adjust the ledge with epdm to best position.



75

Make marks onto the polycarbonate in accordance with the bottom ledge holes.



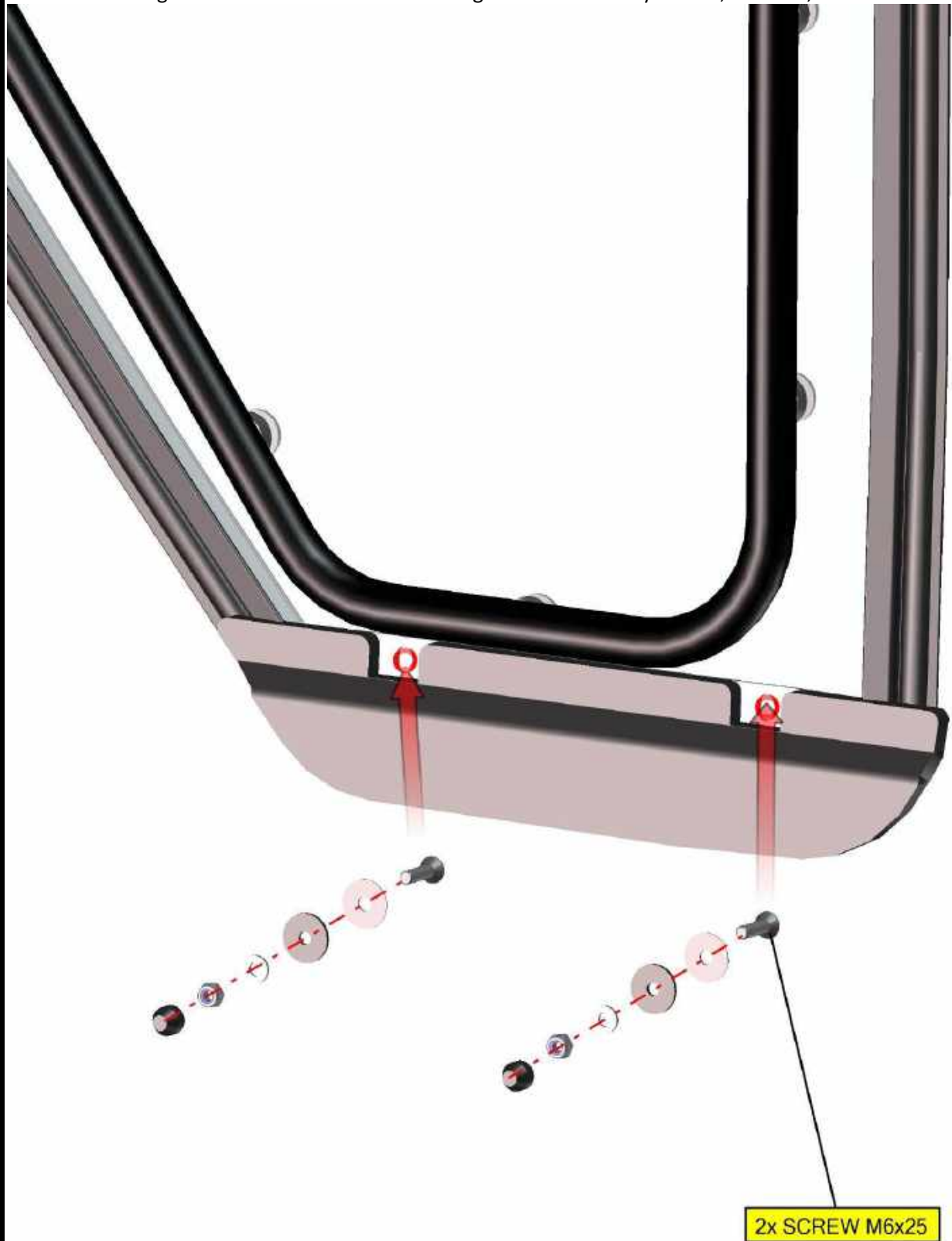
76

Drill 2 holes  $\varnothing 8\text{mm}$  into the marks centers from outer side.



77

Place the ledge back to the door and fix the ledge with the door by screws, washers, nuts and covers.



Close the door slowly and adjust the ledge to the best position. You can cut epdm to best outline.



79

Tigten bottom ledge's screws and nuts correctly.

Repeat previous steps with the right door.



80

Tighten door's screws and nuts correctly.