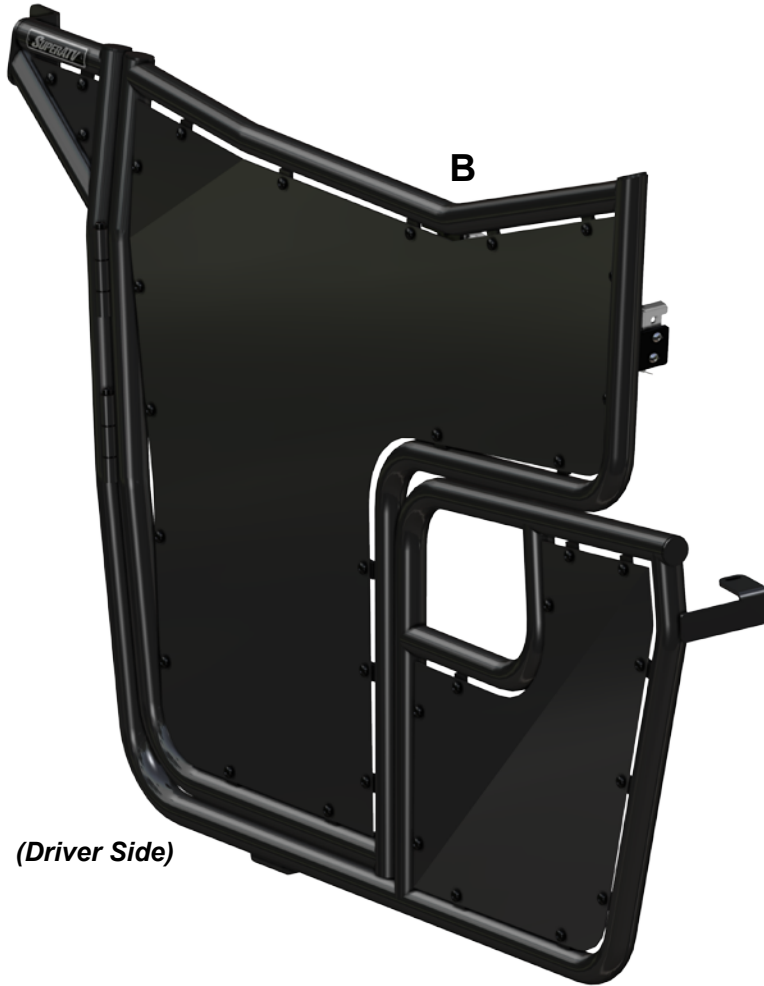


Item	Description
A	Passenger Side Door
B	Driver Side Door



(kit contents continue on following page)

Read instructions and view illustrations before beginning.

Need help with your installation?



sales@superatv.com



www.superatv.com



1-812-574-7777



8:00am - 9:00pm EST M-Th
 8:00am - 7:00pm EST Friday
 9:00am - 2:00pm EST Saturday

*Thank You
 For Choosing*

Liability Statement

SuperATV's[®] products are designed to best fit user's ATV/UTV under stock conditions. Adding, modifying, or fabricating any factory or aftermarket parts will void any warranty provided by SuperATV[®] and is not recommended. SuperATV's[®] products could interfere with other aftermarket accessories. If user has aftermarket products on machine, contact SuperATV[®] to verify that they will work together.

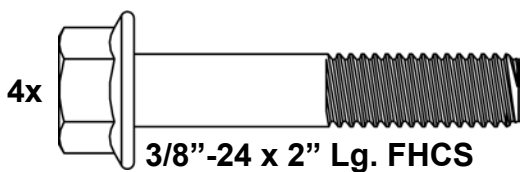
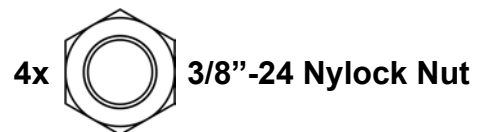
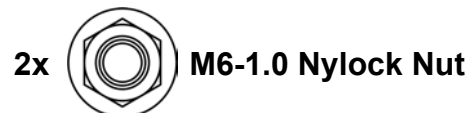
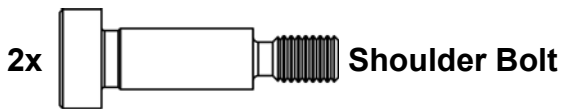
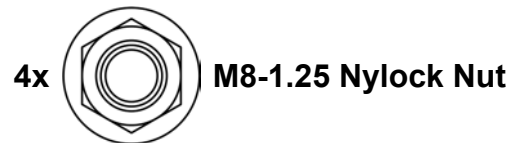
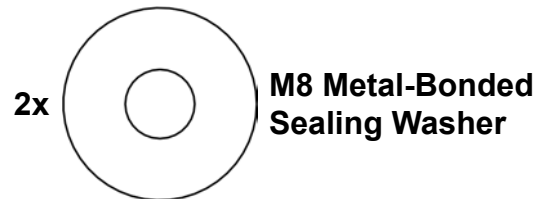
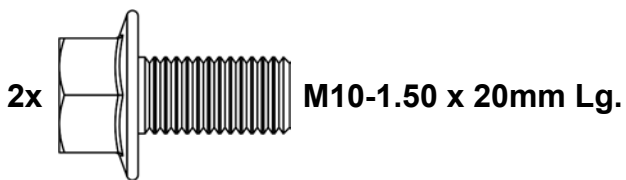
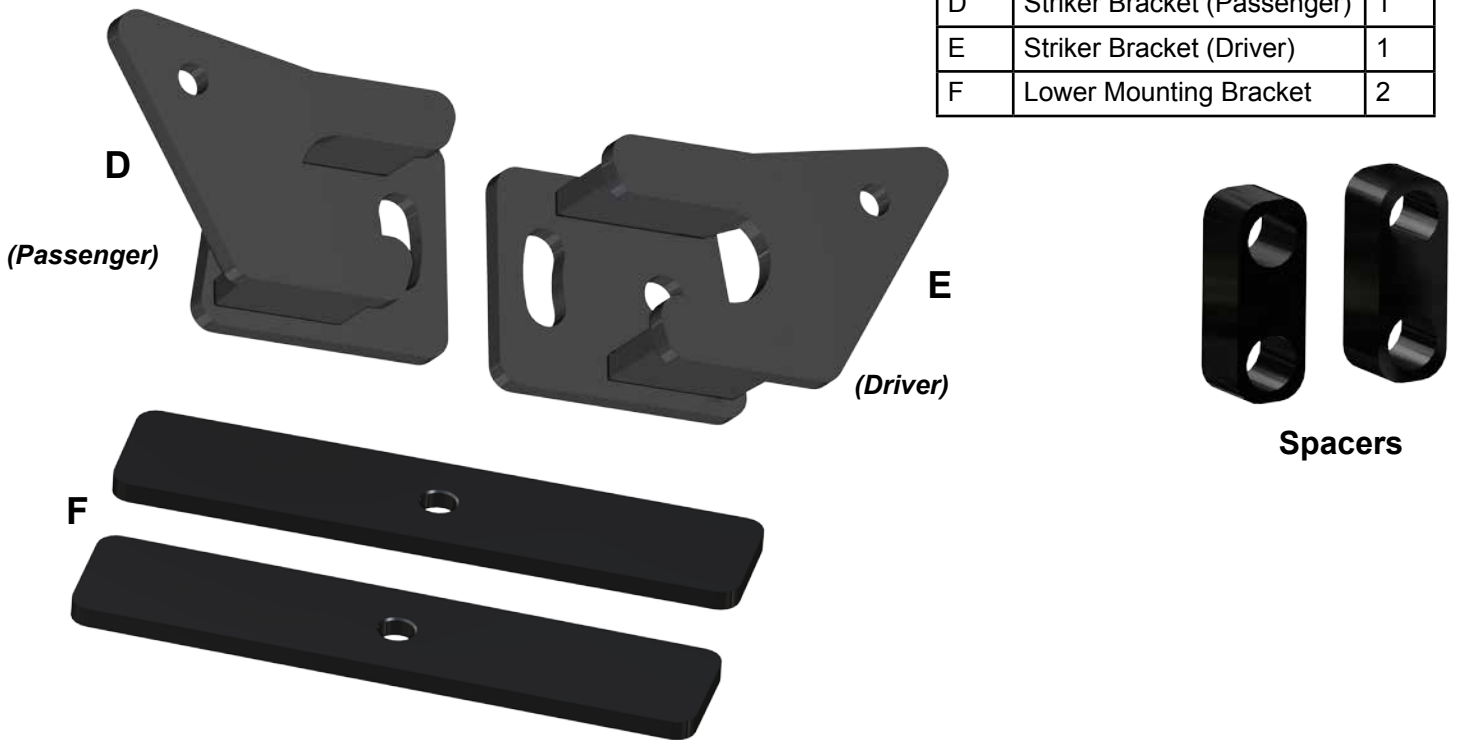
Although SuperATV[®] has thousands of satisfied customers, user should be aware that installing lift kits, long travel, or suspension kits, tires, etc. will change the ride of machine and may increase maintenance and part wear. Operating any off-road machine while, or after, consuming alcohol and/or drugs increases risk of bodily harm or death. No warranty or representation is made as to this product's ability to protect user from severe injury or death. SuperATV[®] urges operators and occupants to wear a helmet and appropriate riding gear at all times.

By purchasing and installing SuperATV[®] products, user agrees that should damages occur, SuperATV[®] will not be held responsible for loss of time, use, labor fees, replacement parts, or freight charges. SuperATV[®], nor any 3rd party, will not be held responsible for any direct, indirect, incidental, special, or consequential damages that result from any product purchased from SuperATV[®]. The total liability of seller to user for all damages, losses, and causes of action, if any, shall not exceed the total purchase price paid for the product that gave rise to the claim.

SuperATV[®] will warranty only parts provided by SuperATV[®]. Any damage or problems with OEM housings, bearings, seals, or other manufacturers' products will not be covered by SuperATV[®]. SuperATV[®] parts and products are not warranted if item was not installed properly, misused, or modified.

(kit contents continued)

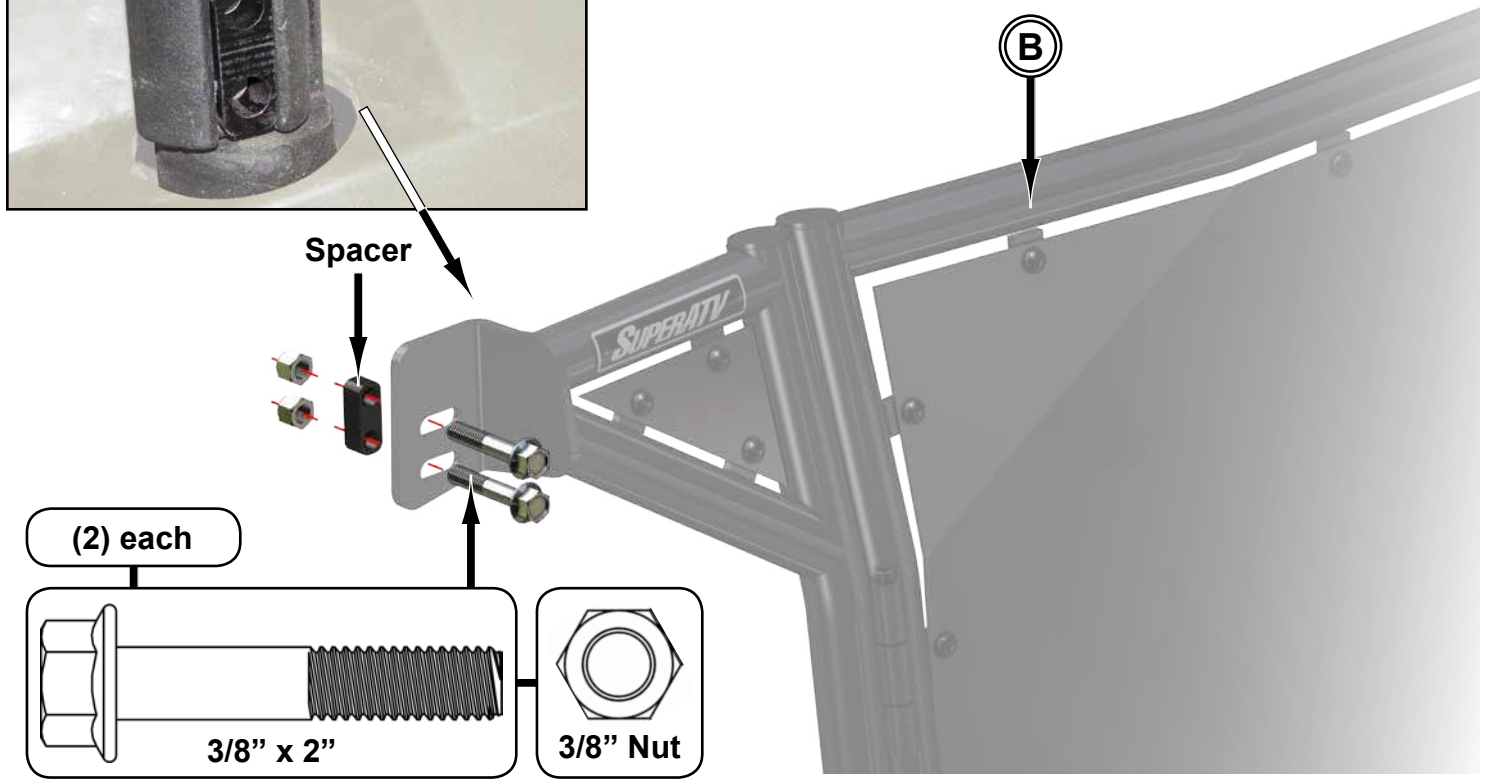
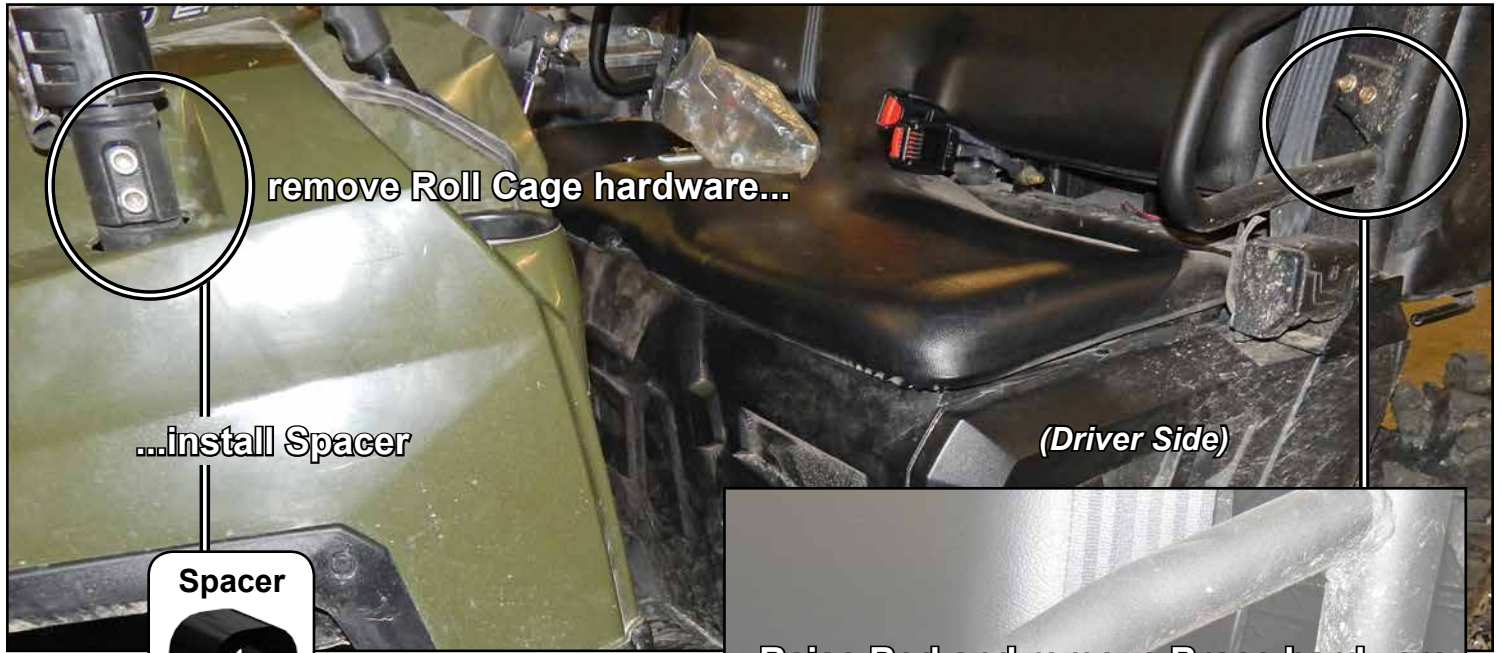
Item	Description	Qty
D	Striker Bracket (Passenger)	1
E	Striker Bracket (Driver)	1
F	Lower Mounting Bracket	2



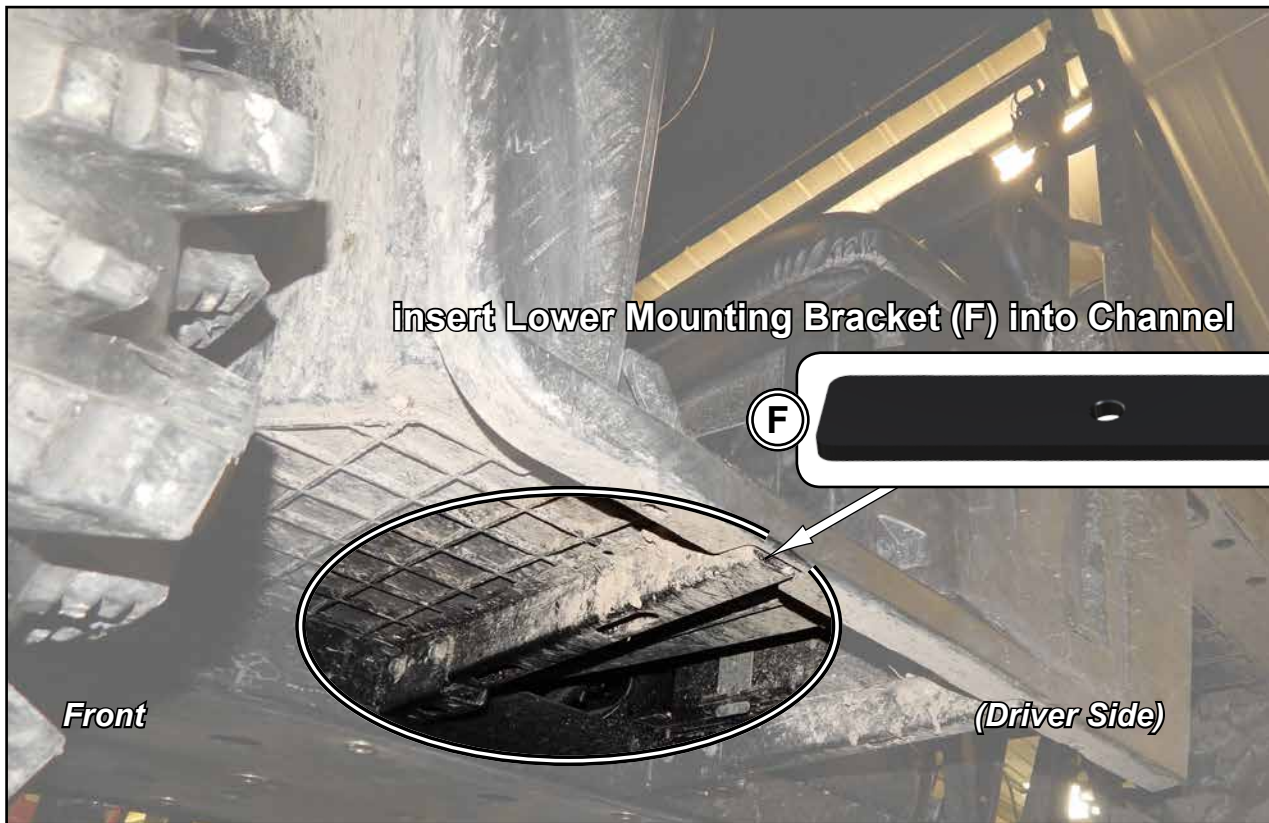
disregard any remaining hardware

Do not tighten hardware completely unless noted.

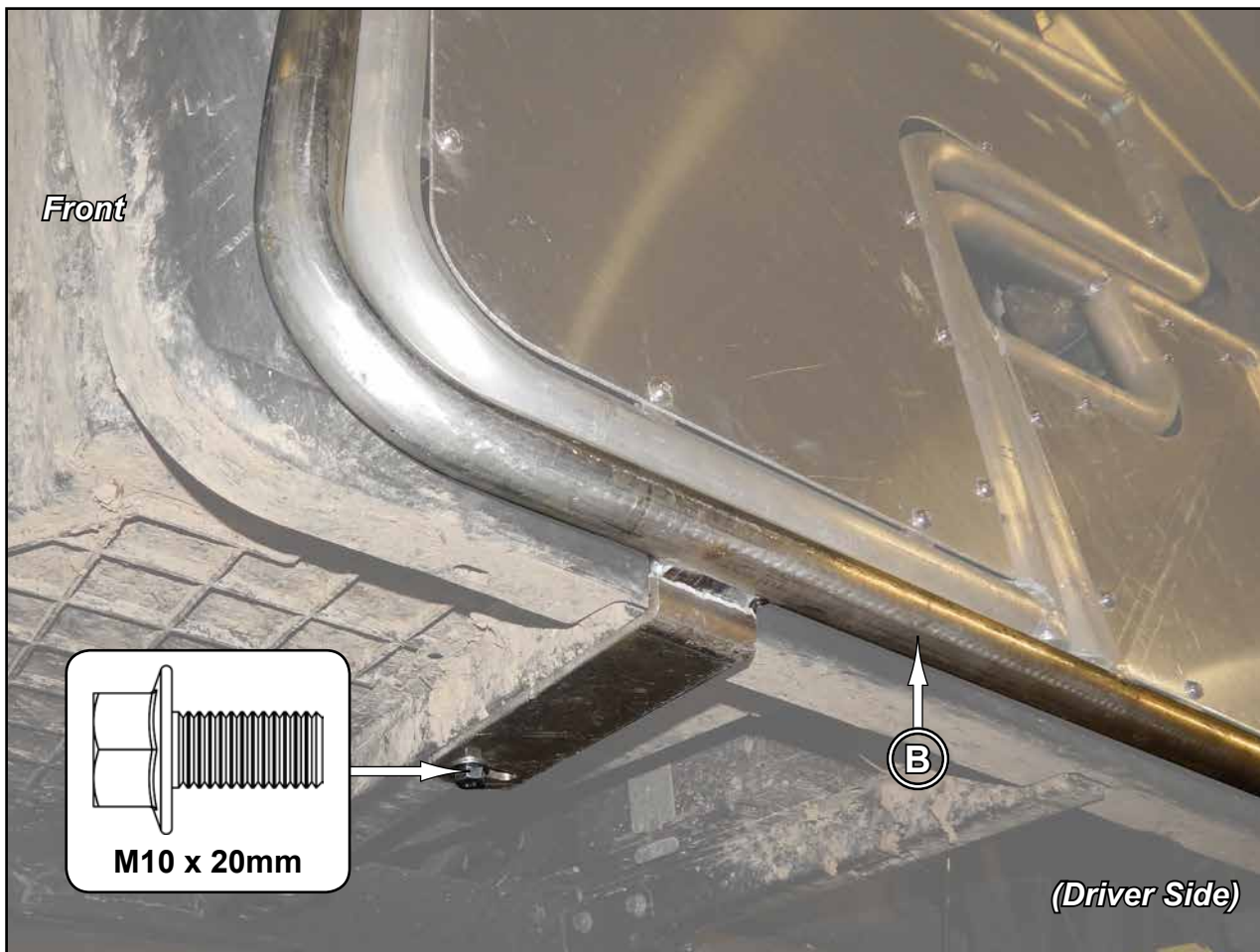
- Remove Roll Cage hardware and Brace hardware as shown.
- Install Spacer and secure upper portion of Door (B) to Roll Cage with hardware shown.



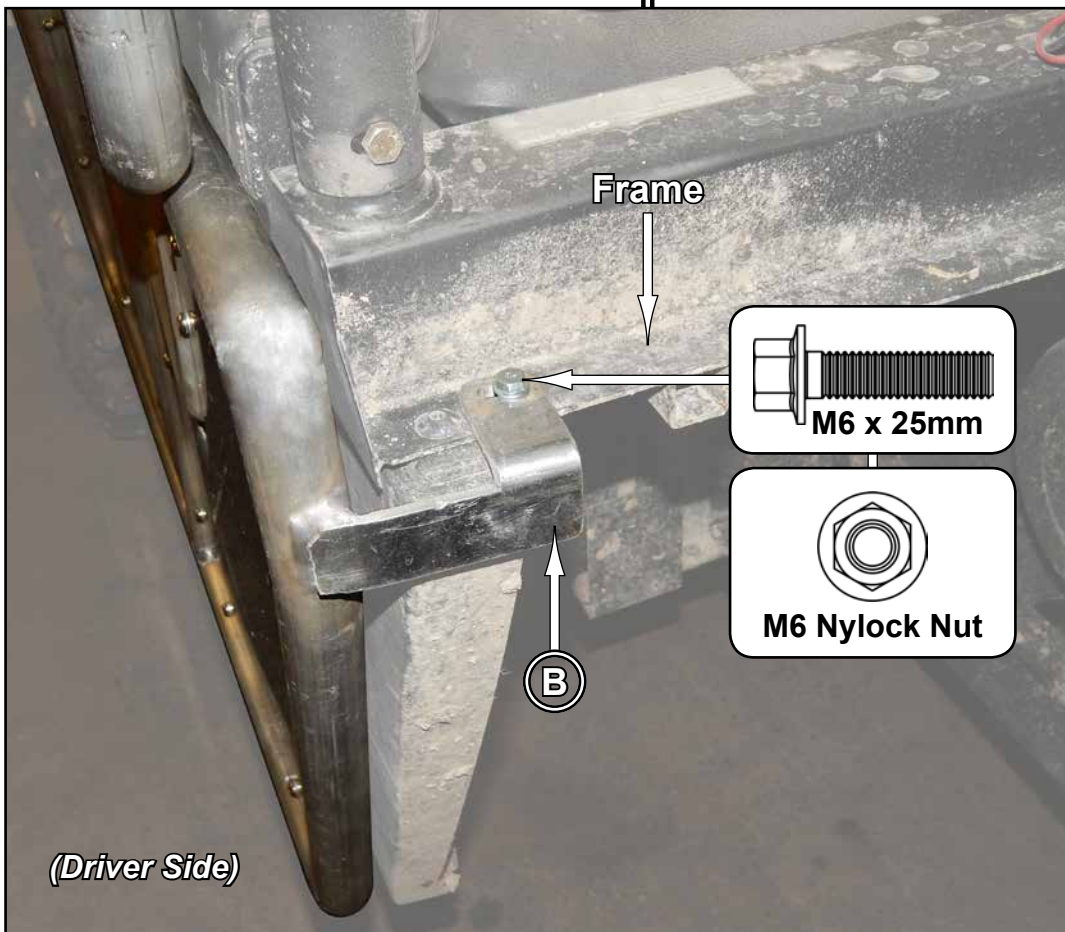
- Insert Lower Mounting Bracket (F) into Channel.



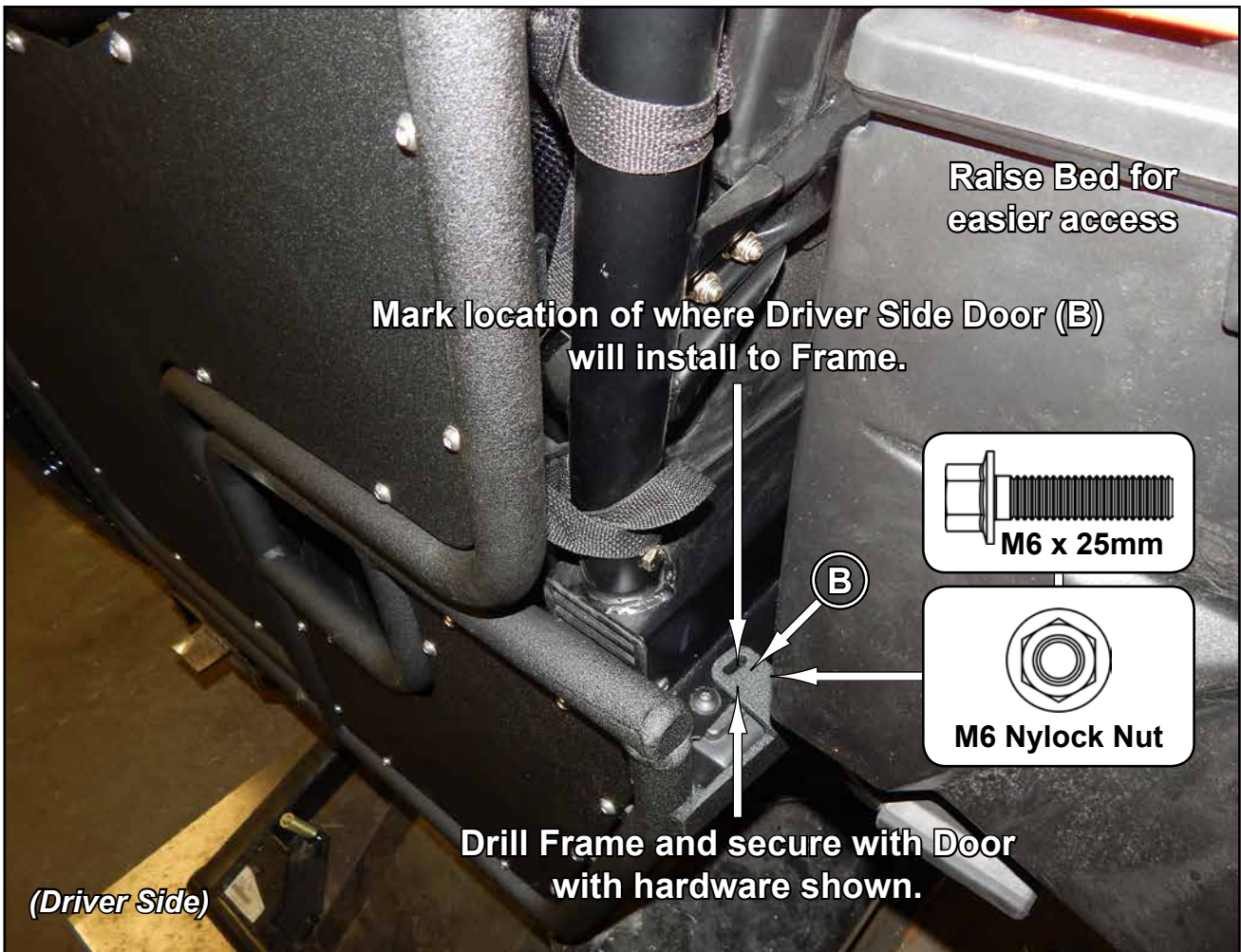
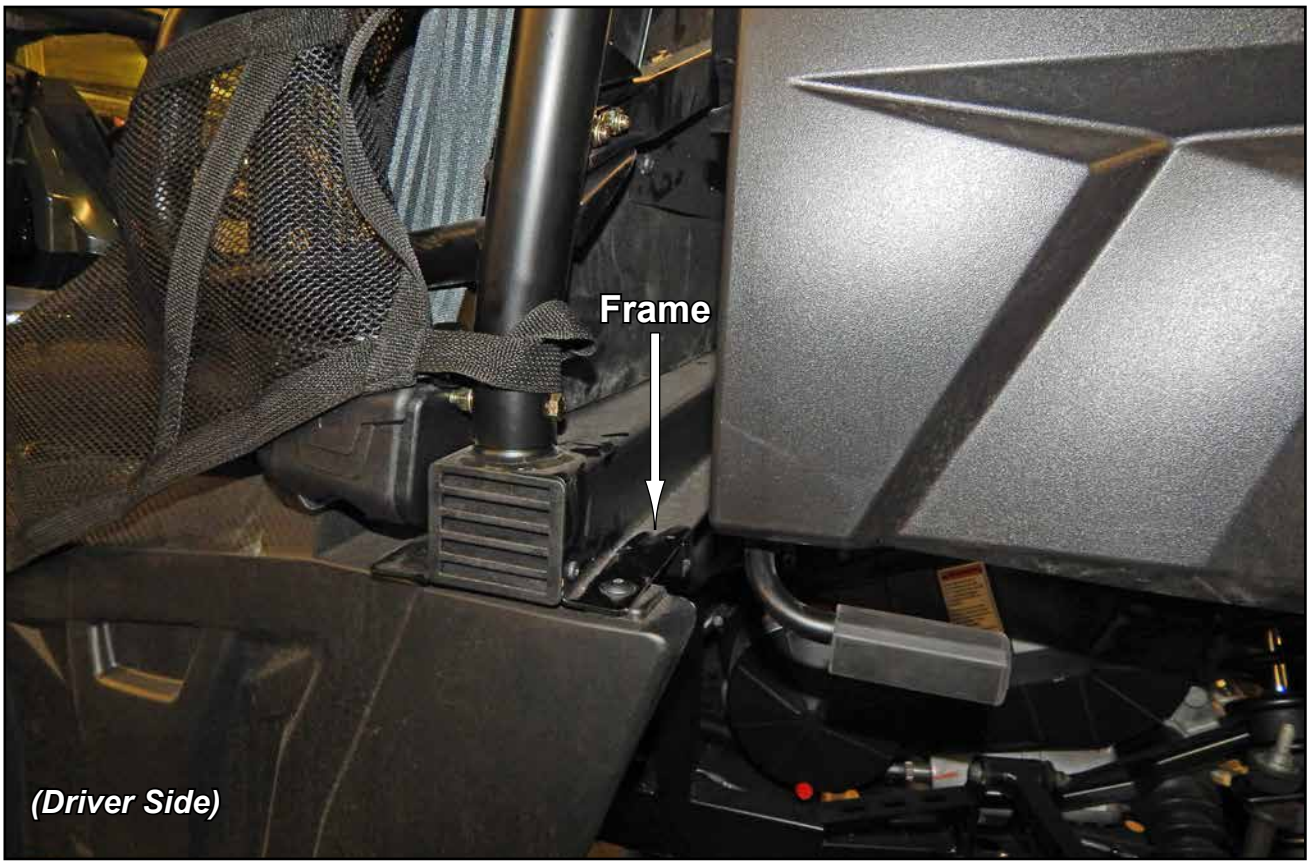
- Secure lower portion of Door (B) to Lower Mounting Bracket (F) with hardware shown.



- Secure rear portion of Door (B) to Frame with hardware shown.
See followingpage for Ranger XP® 570 machines.



Ranger XP® 570 installation



- Install Shoulder Bolt and M8 Sealing Washer to Stricker Bracket, Driver (E).
- Install Stricker Bracket, Driver (E) to Brace with hardware shown.
- Repeat steps for opposite side.
- Before tightening hardware completely, align Doors to machine and ensure that no binding occurs while opening and closing.

