

# HardCabs

A DFK AMERICA COMPANY

INSTALLATION INSTRUCTIONS

## **KAWASAKI** **TERYX 800 LE – 2**



## **SAFETY INSTRUCTIONS**

***Warning: Failure to heed all safety and operating instructions and warnings regarding use of this product can result in serious bodily injury.***

### ***READ PROPERLY COMPLETE ASSEMBLY INSTRUCTIONS BEFORE STARTING OF ASSEMBLY***

***Install all parts indicated in assembly instructions. Failure to fully assemble product before use could result in personal injury.***

***Assembly of product requires use of hand or power tools. If you are not experienced in using these types of tools, have product dealer do the install for you.***

***Some parts contain sharp edges, wear protective gloves if necessary.***

***Always keep your assembly area clean, uncluttered and well lit.***

***Keep visitors and children a safe distance away from the assembly area. Visitors should wear the same safety equipment described under.***

***Never operate your UTV with the cab doors open. Failure to properly latch the doors before moving the vehicle could result in serious injury.***

***Dress for safety. DO NOT wear loose clothing, gloves, neckties or jewelry if using power tools to assemble this product.***

***Insert all nut covers after you finish installation.***

***Never drive your UTV with the cab front window in open position. Failure to properly latch/lock front window before driving the vehicle could result in serious injury.***

***Please be careful not to break the plastic washers, if you're tightening screws with plastic washers use max torque of 3.7 foot-pound force (5 Nm)!!!***

**WARNING:** For safety purposes, if the DFK Cab doors are removed, it is mandatory that the OEM manufactured Half Doors or Nets are **REINSTALLED** before operating the vehicle.

### **MAINTENANCE AND CLEANING**

*To clean polycarbonate surface use soapy water solution or other subtle means.*

*Dirt and dust wash by gently water stream and swipe only with wet or damp means in the direction from top to bottom.*

*The recommended frequency of cleaning of polycarbonate part is about 1 time per month or according to the actual degree of pollution.*

*Do not use detergents that could scratch the surface plates.  
(abrasives, harsh fabrics, etc.)*

*Do not use solvents or alkaline detergents or cleaners with ammonia  
(ammonium hydroxide).*

*Do not remove the impurities from the surface of the razor blades or other sharp items.*

*Do not clean cabin when the polycarbonate plates are heated by the sun.*

*Do not use the squeegee, it could be scratched surface plates.*

*Do not clean the water current strength greater than 50 bar (WAP)*

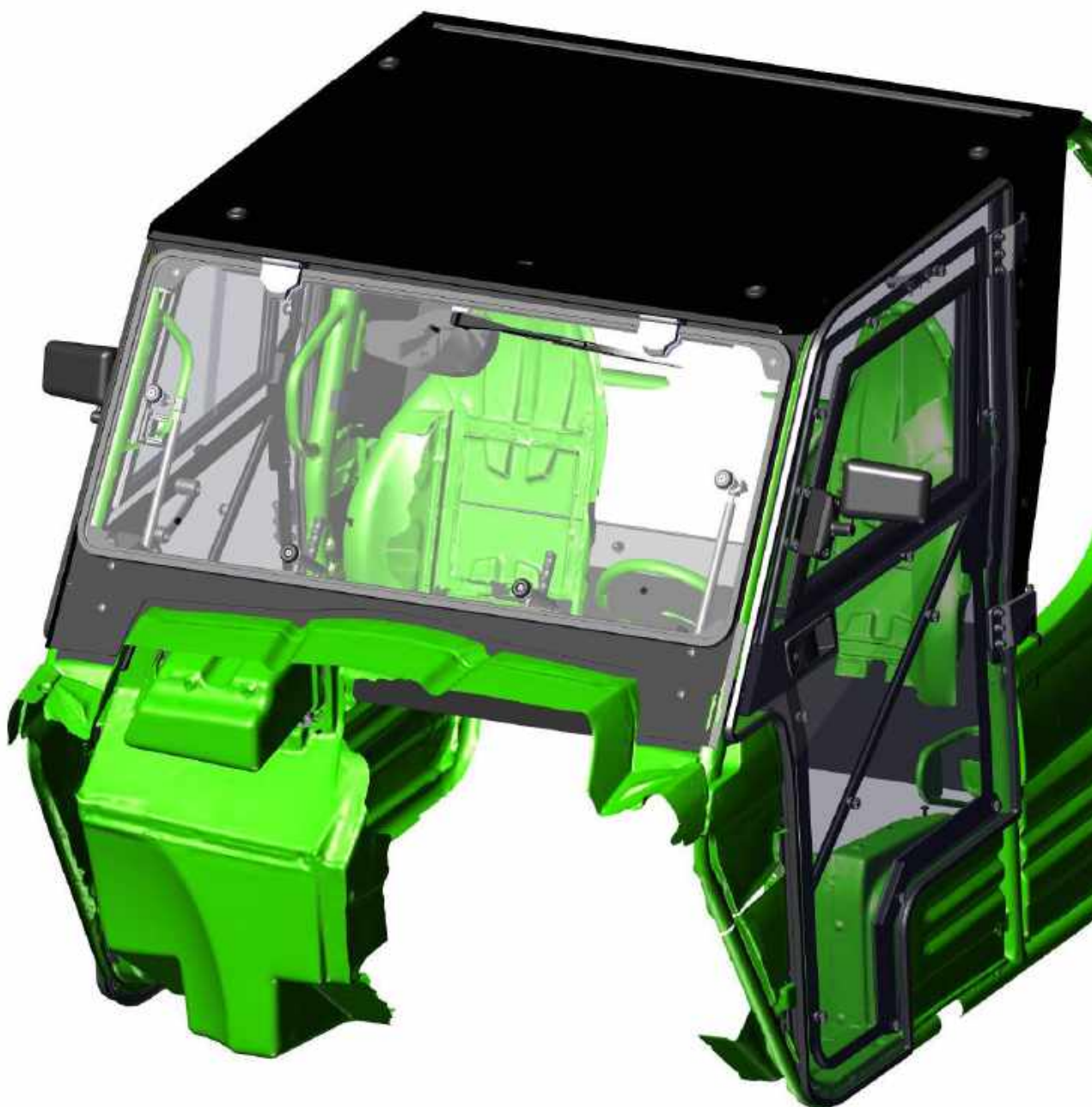
*The manufacturer is not responsible for scratching the surface in case of failure to comply with the above instructions.*

*All bolted connections of cab must be by user at regular intervals checked and tightened.*

**PREPARATION FOR INSTALLATION:**

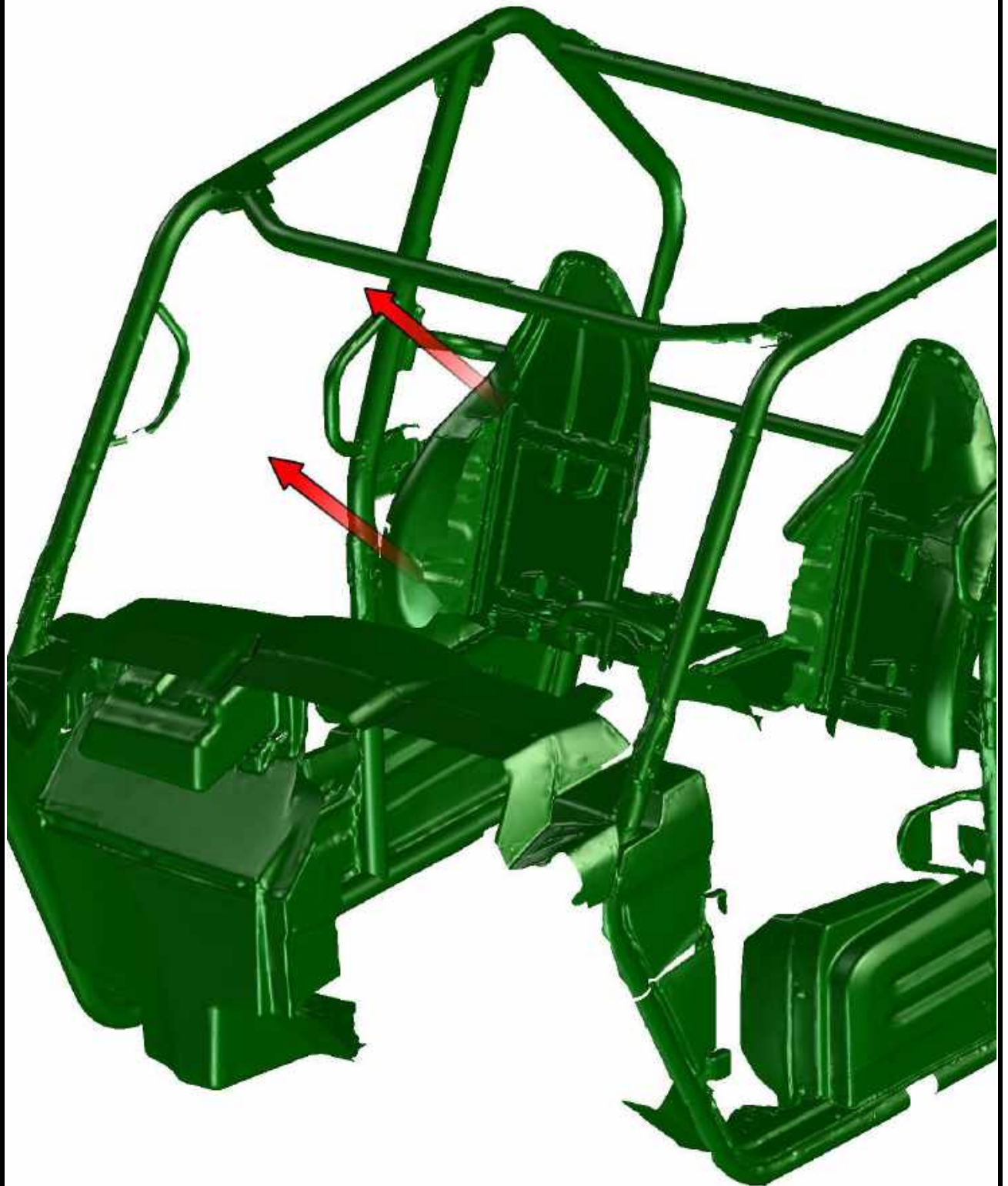
Uninstall all additional systems from the roller cages (work lights, rear mirrors, drink holders etc.)

[CAB PREVIEW](#)



4

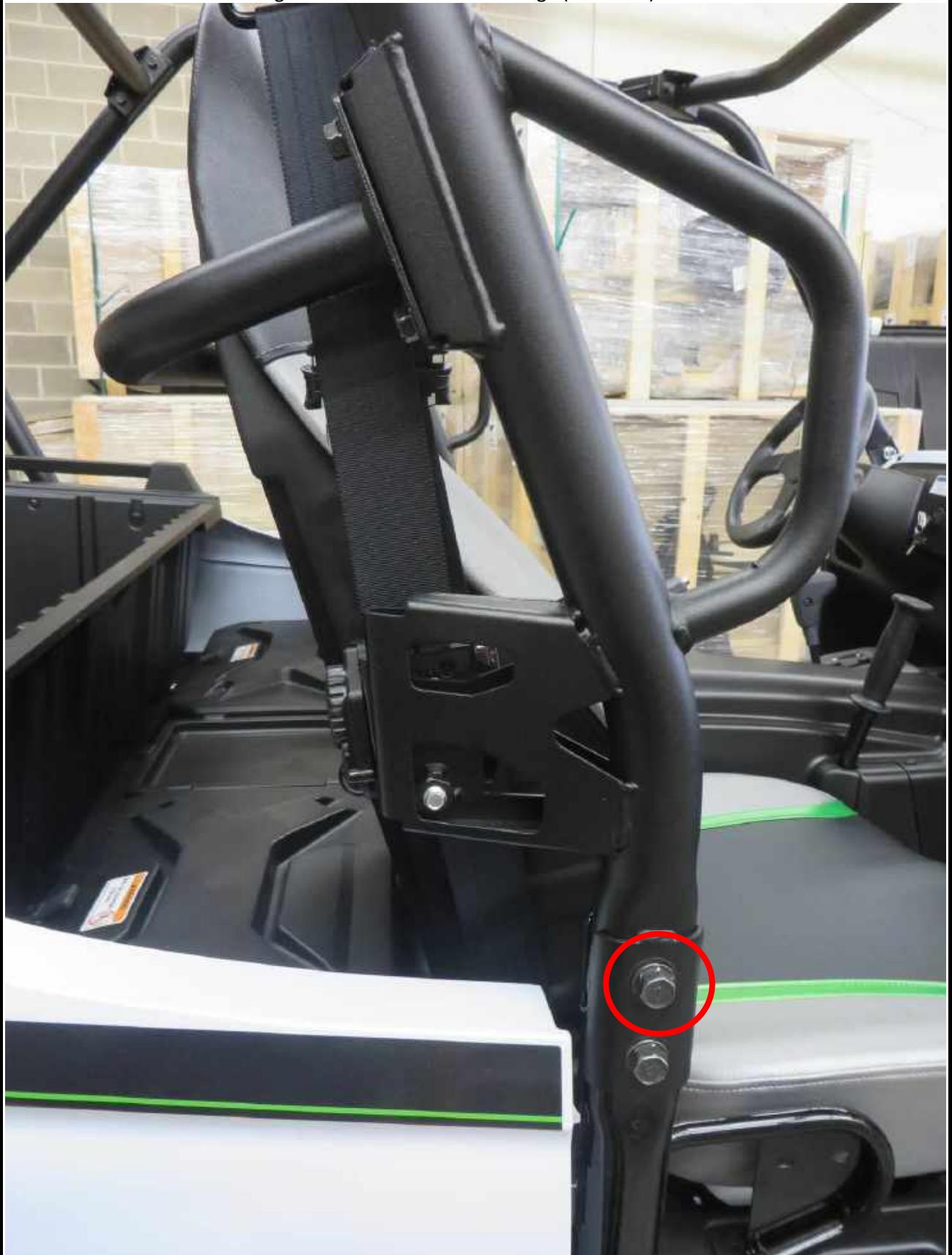
Uninstall seats from UTV cabin.



5

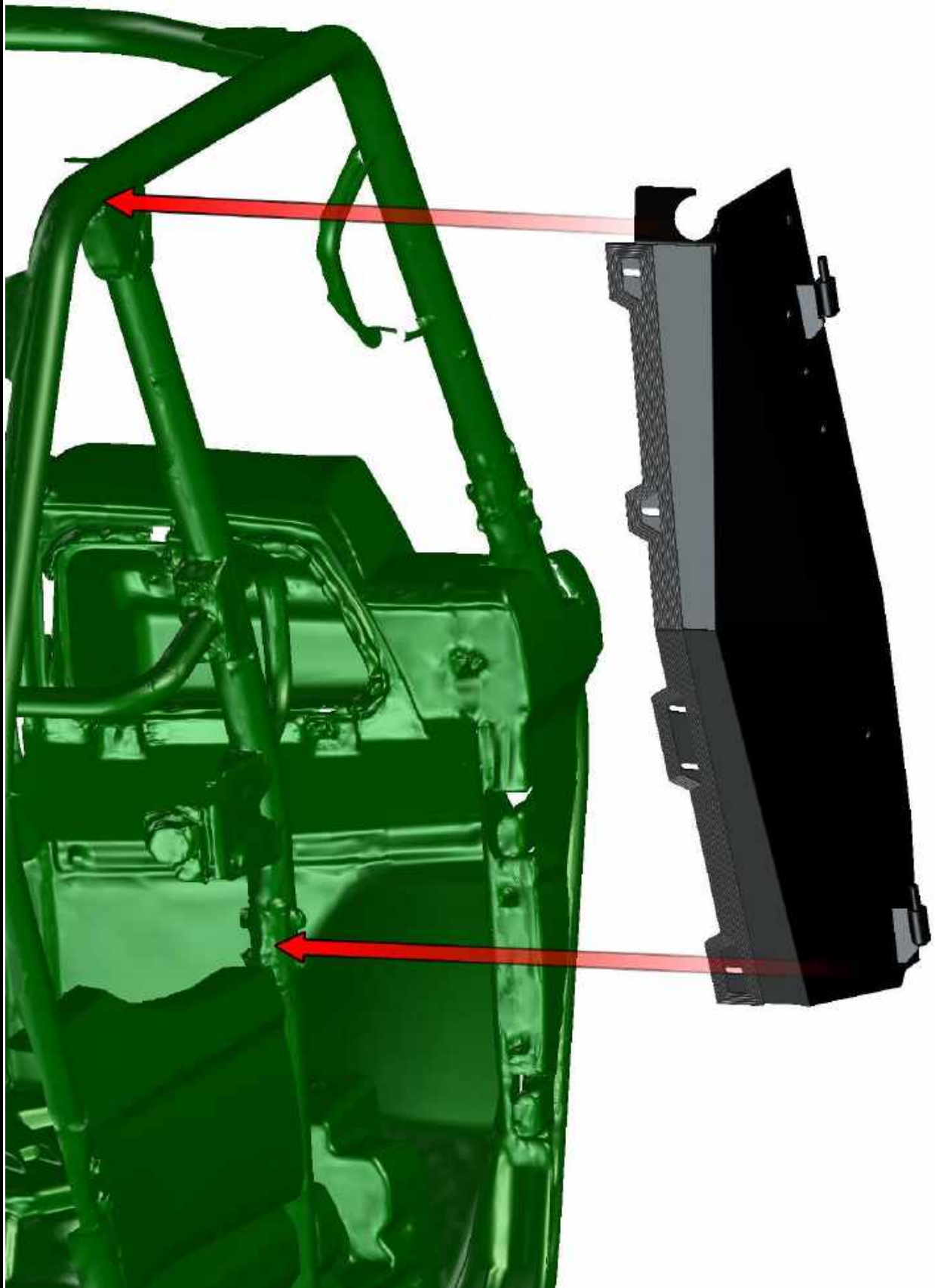
REAR PANEL

Uninstall original screw from UTV roller cage (red circle) on both sides.

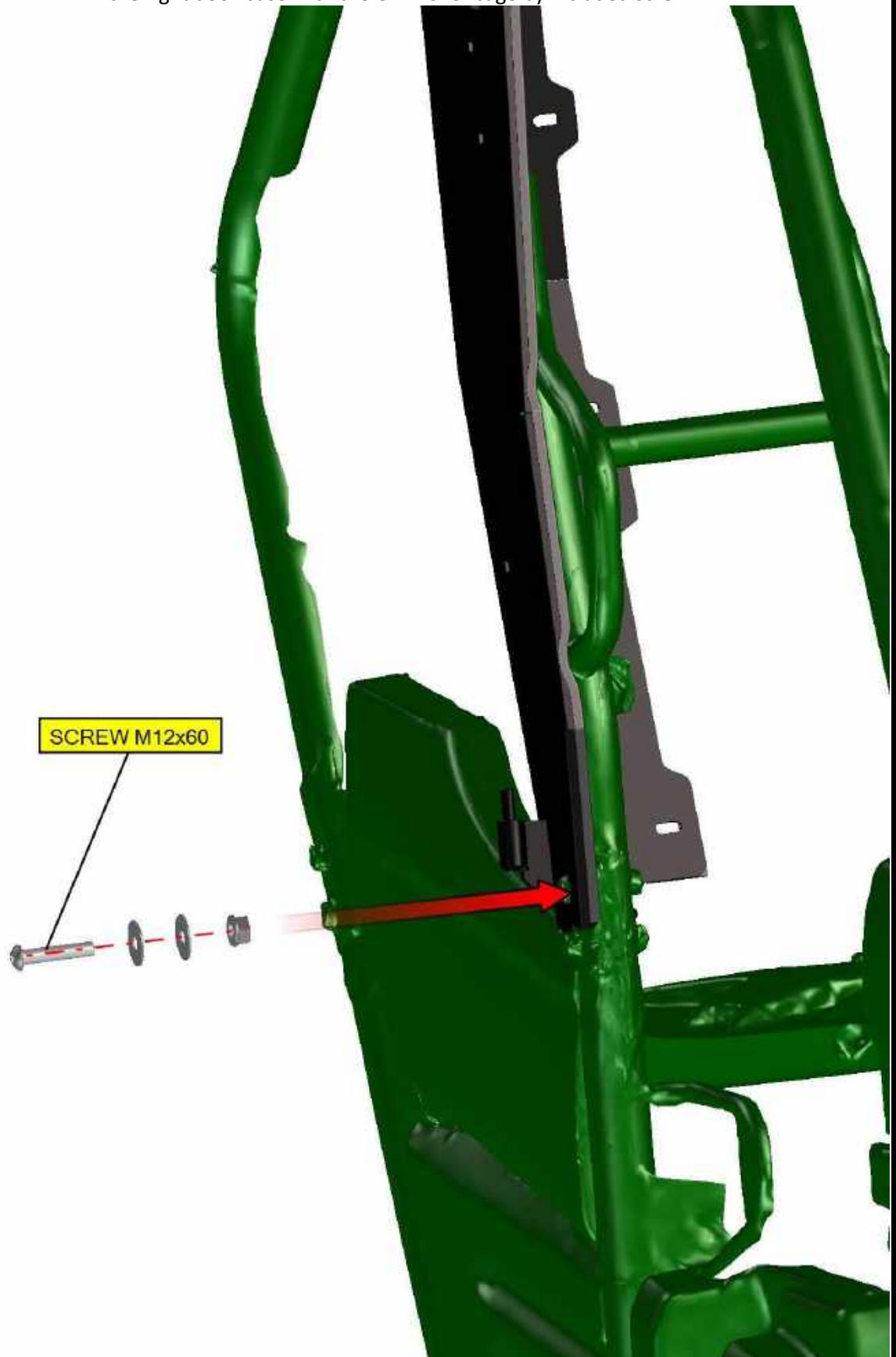


6

Place the right door base onto the UTV roller cage.

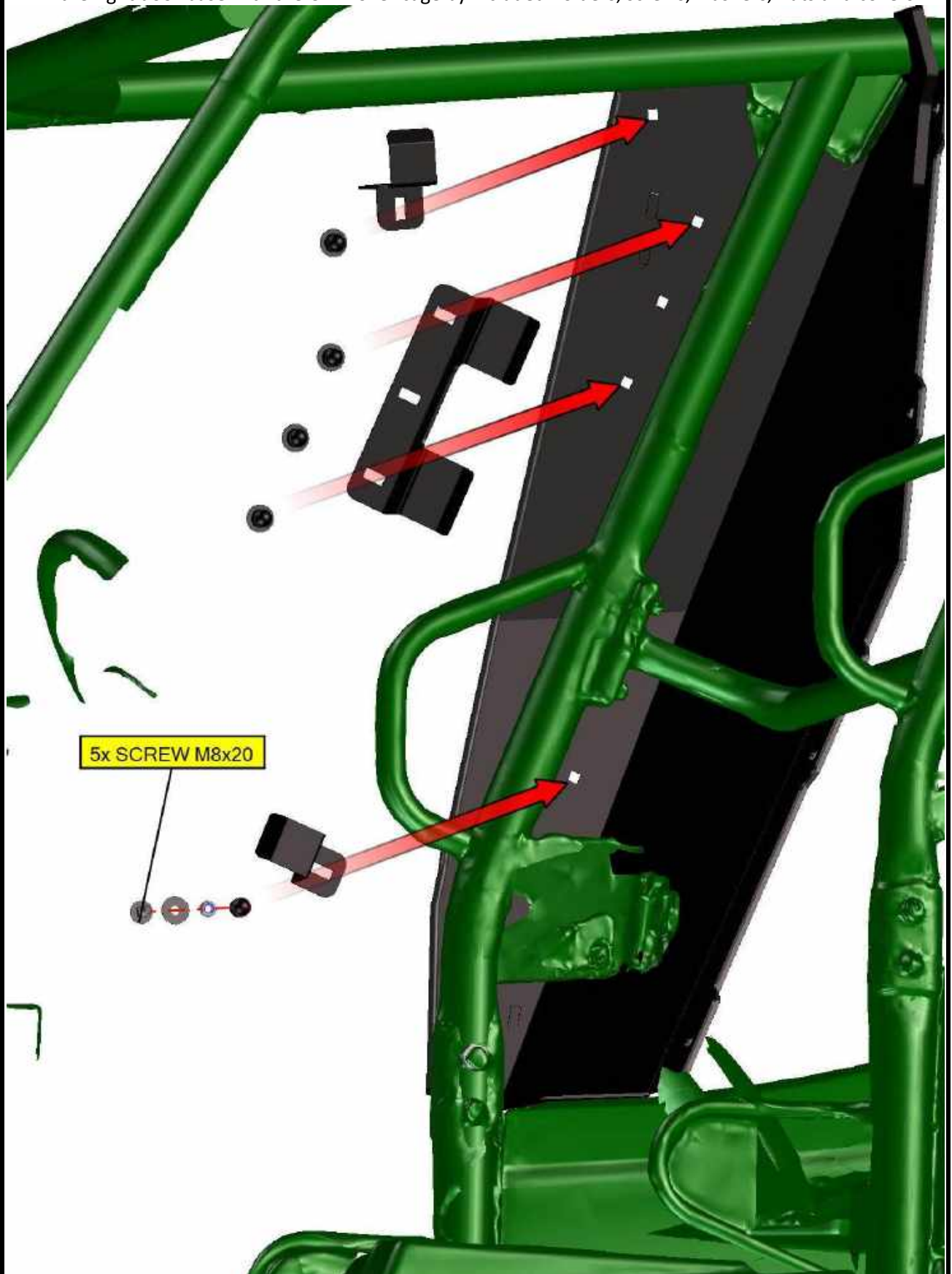


Fix the right door base with the UTV roller cage by included screw.





Fix the right door base with the UTV roller cage by included holders, screws, washers, nuts and covers.

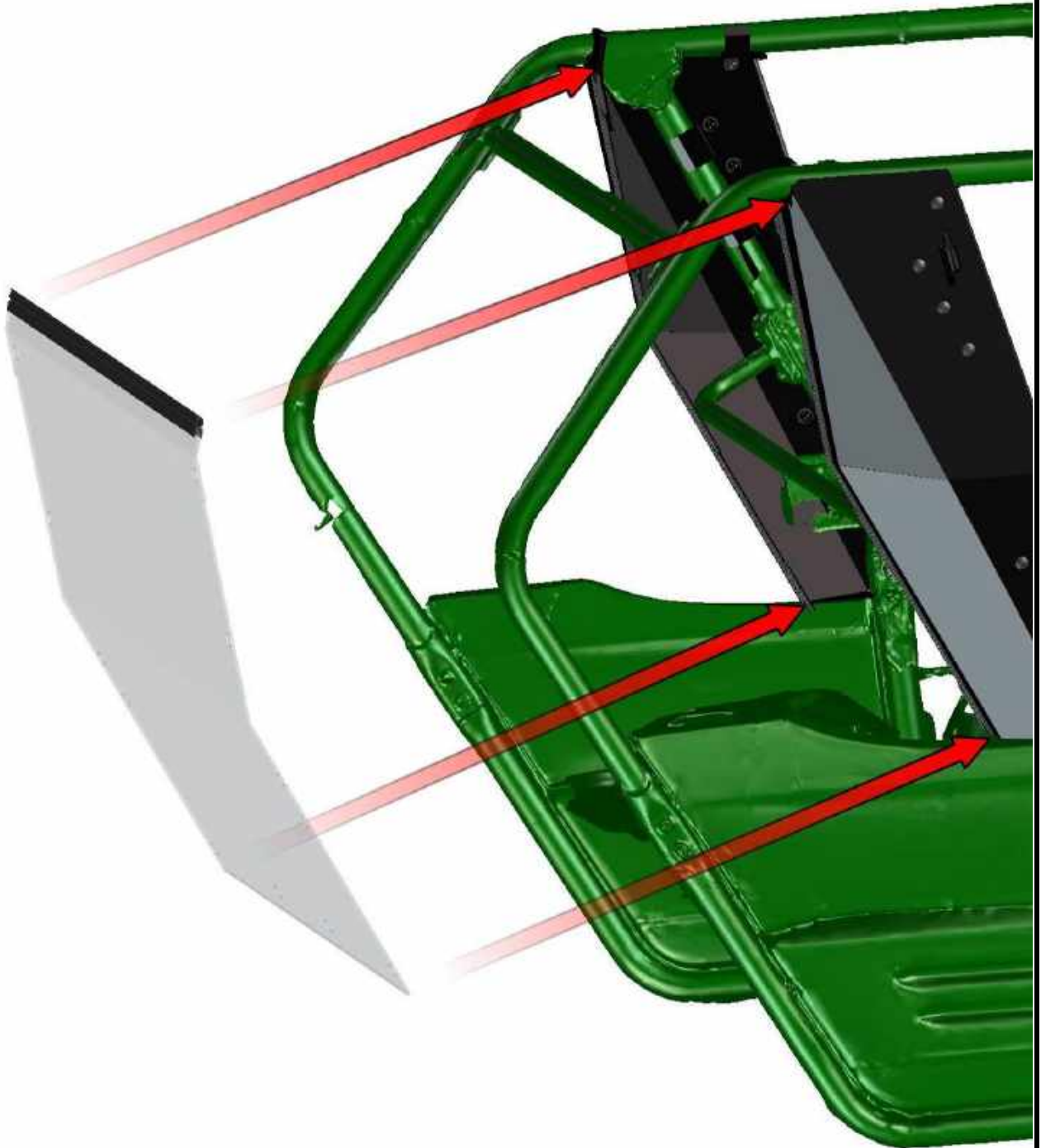


Repeat previous steps with the left door base.

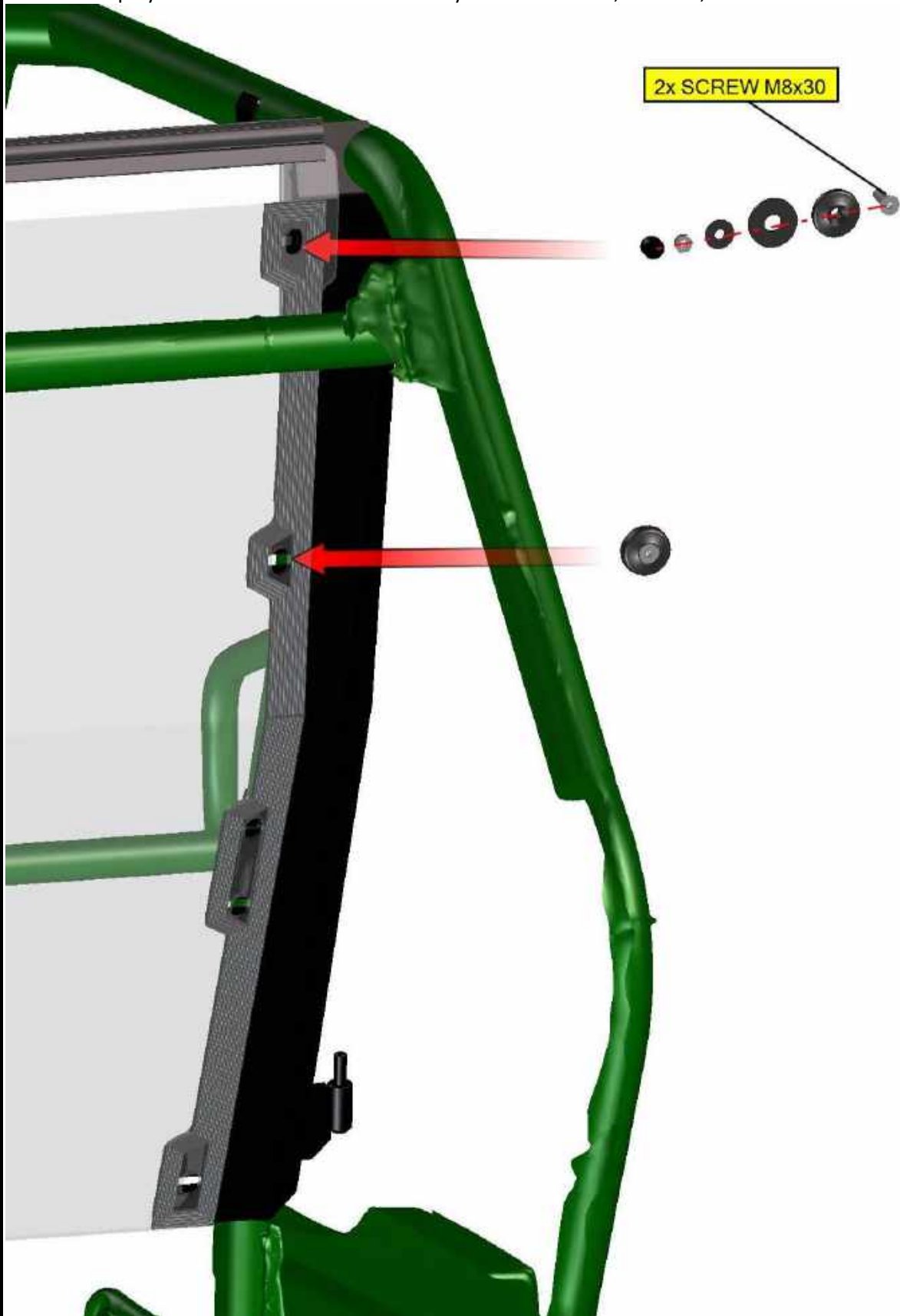


10

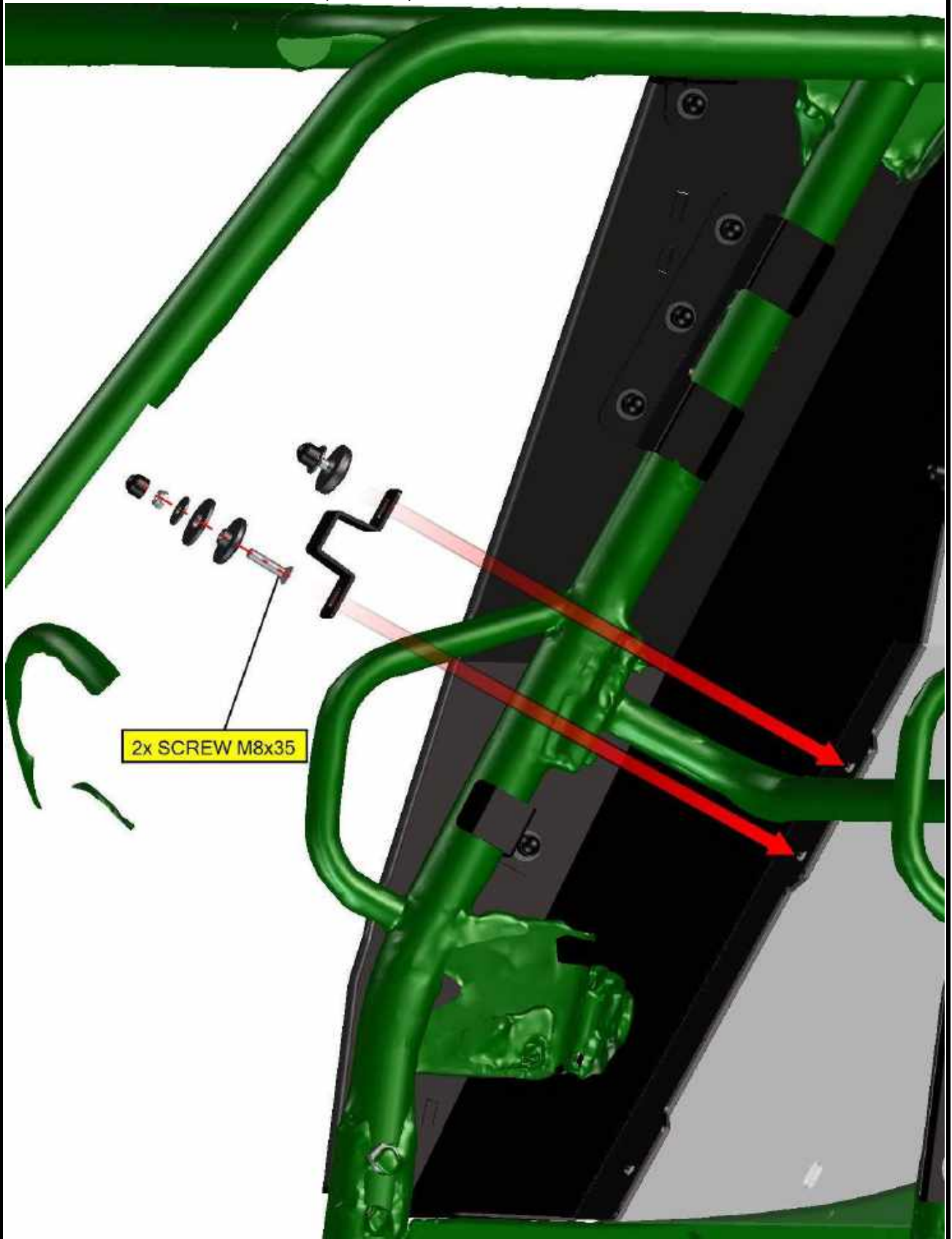
Place the rear polycarbonate onto the door bases.



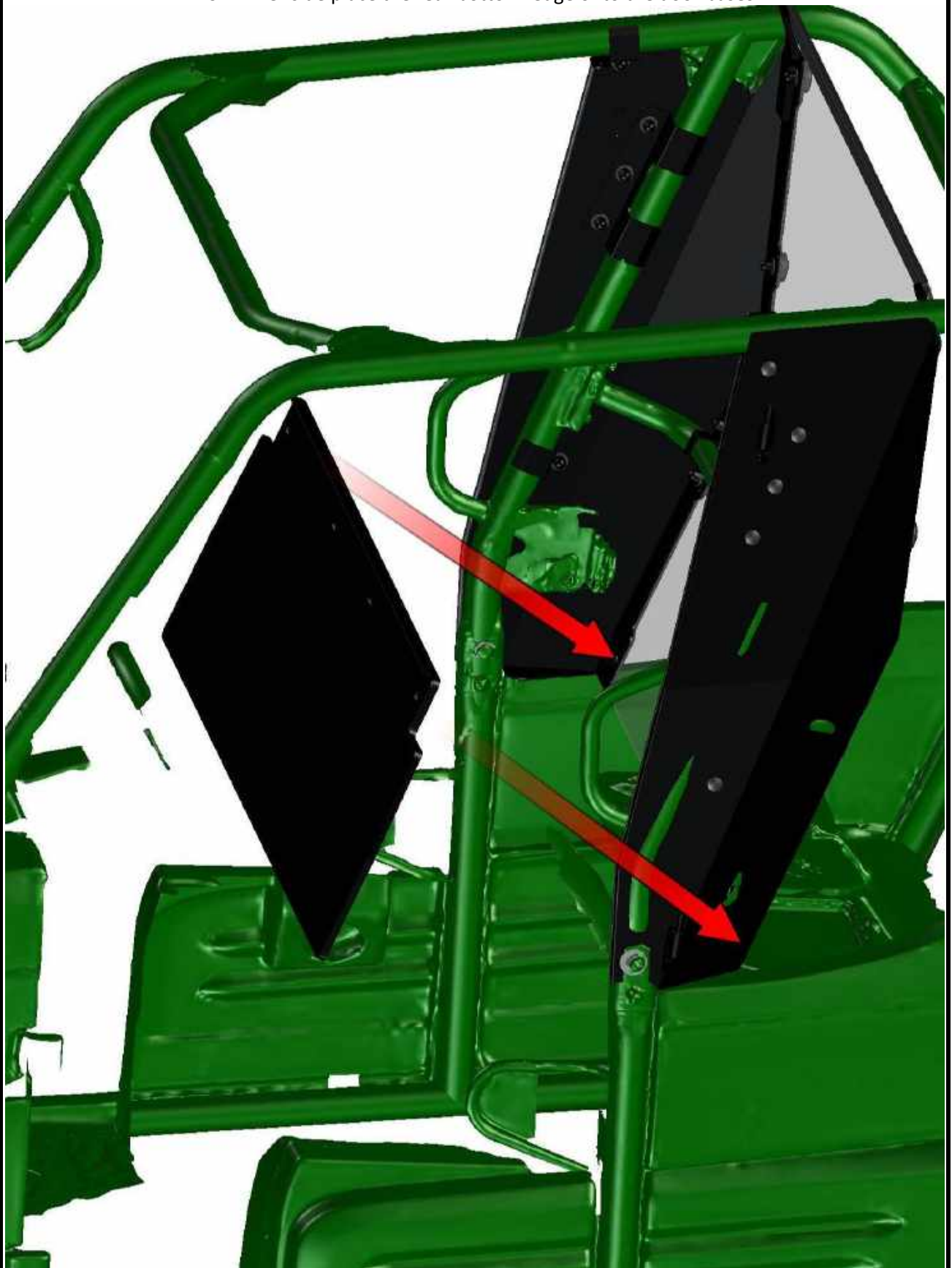
Fix the rear polycarbonate with the door bases by included screws, washers, nuts and covers on both sides.



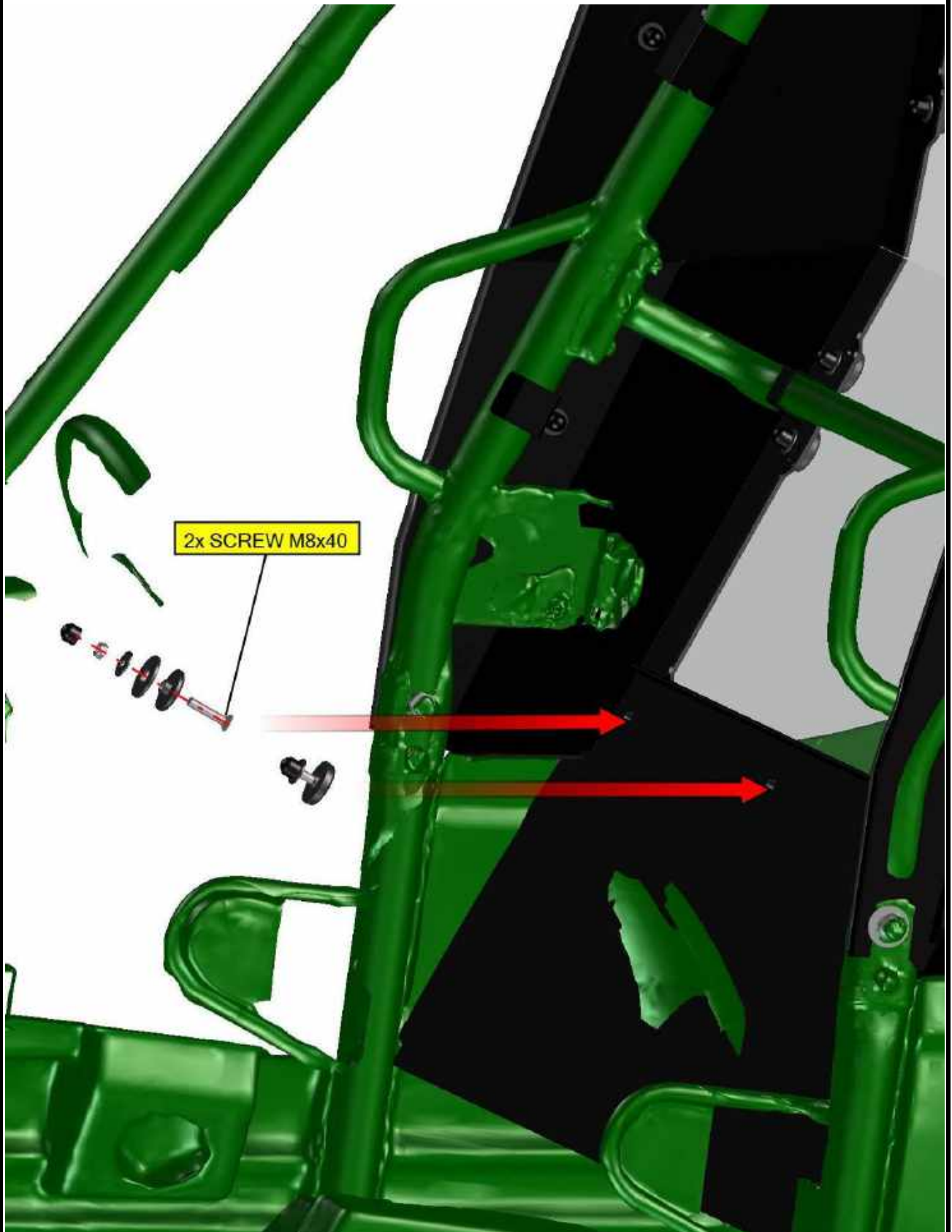
Place the rear holder onto the door base and fix it with the door base and rear polycarbonate by included screws, washers, nuts and covers on both sides.



From inner side place the rear bottom ledge onto the door bases.



Fix the rear bottom ledge with the door base and rear polycarbonate by included screws, washers and covers on both sides.



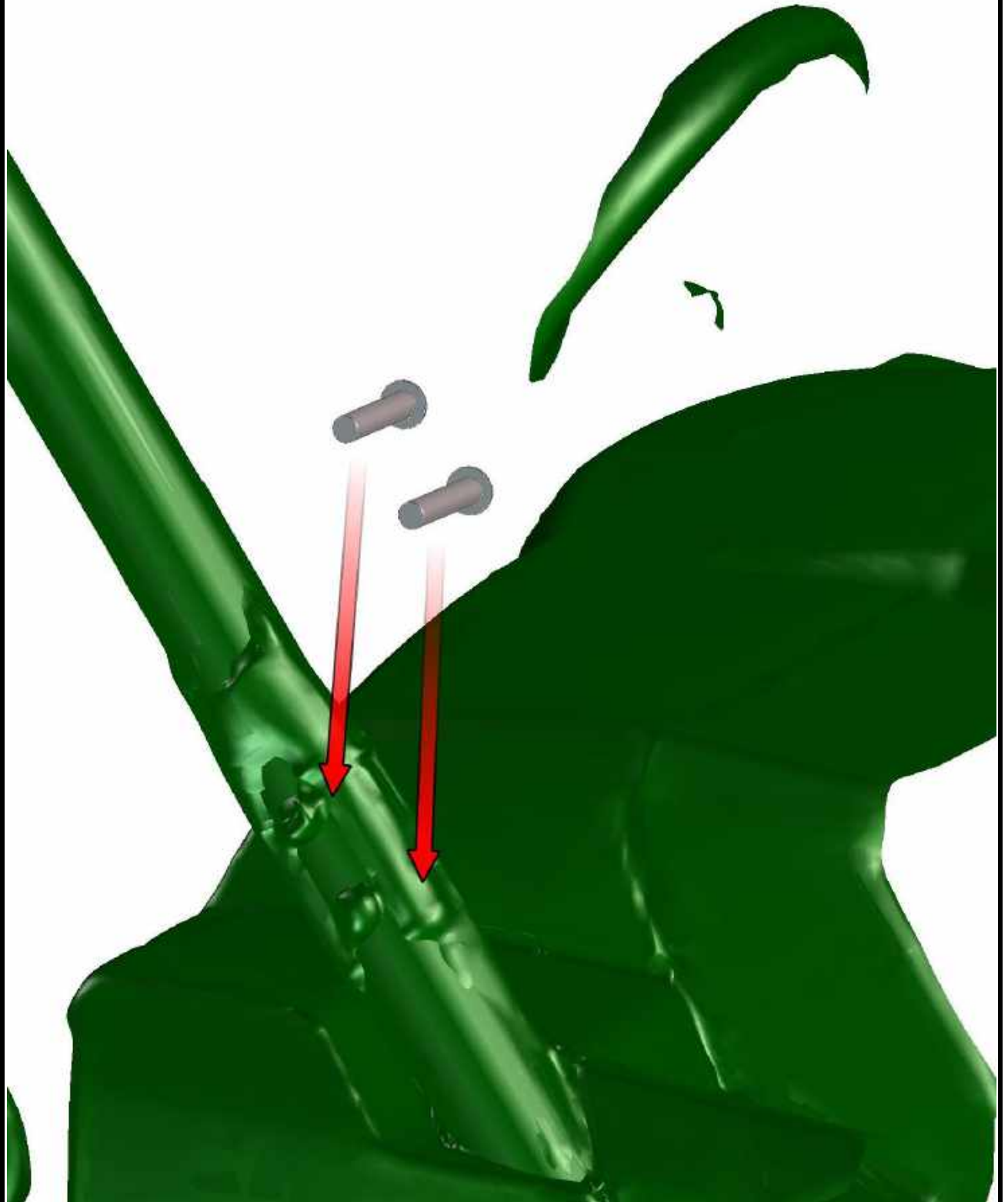
FRONT PANEL

One by one uninstal original screws from UTV roller cage (red circle) and replace them by included M12 screw on both sides.



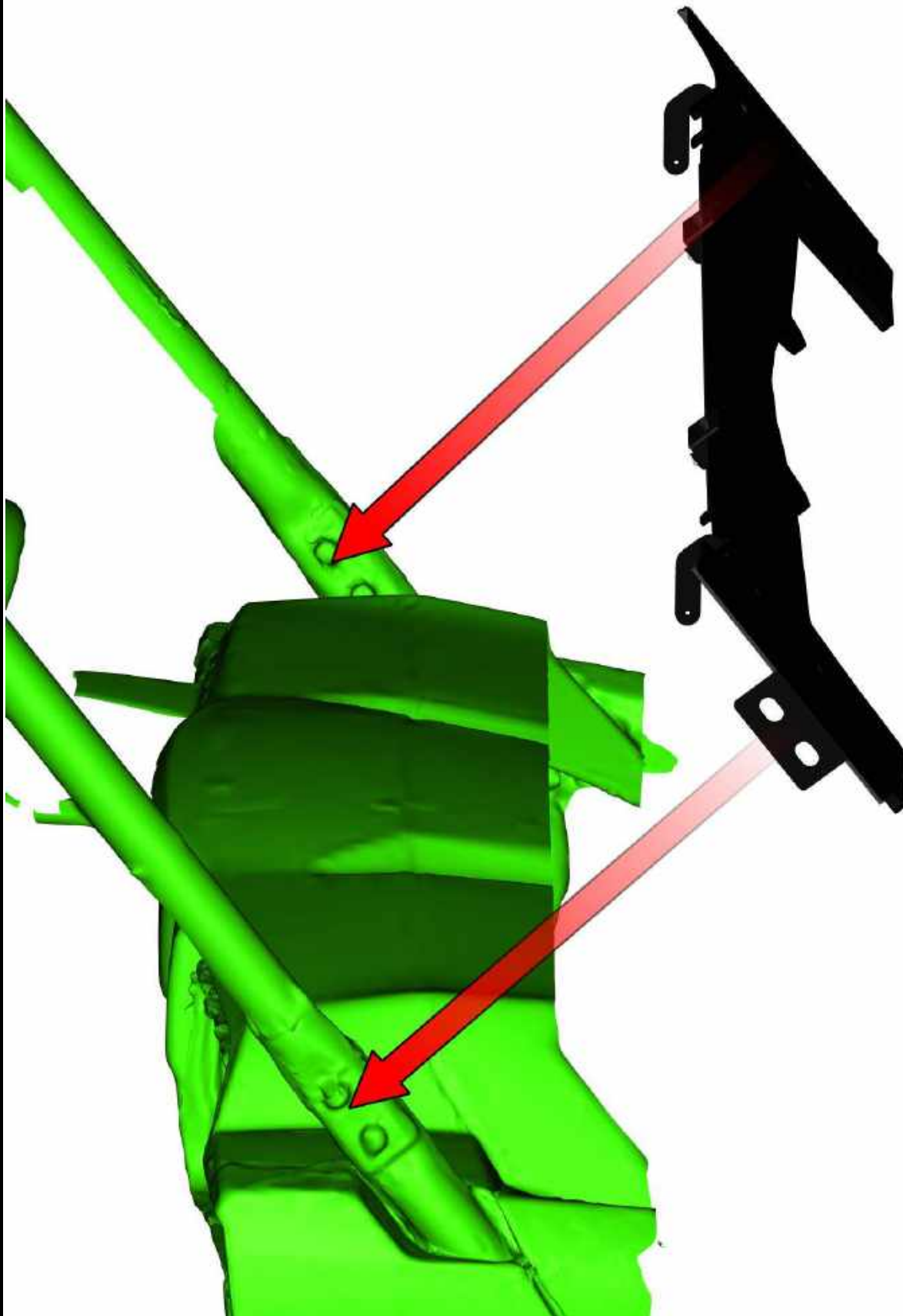


Included screws have to be inserted from inner side on both sides.

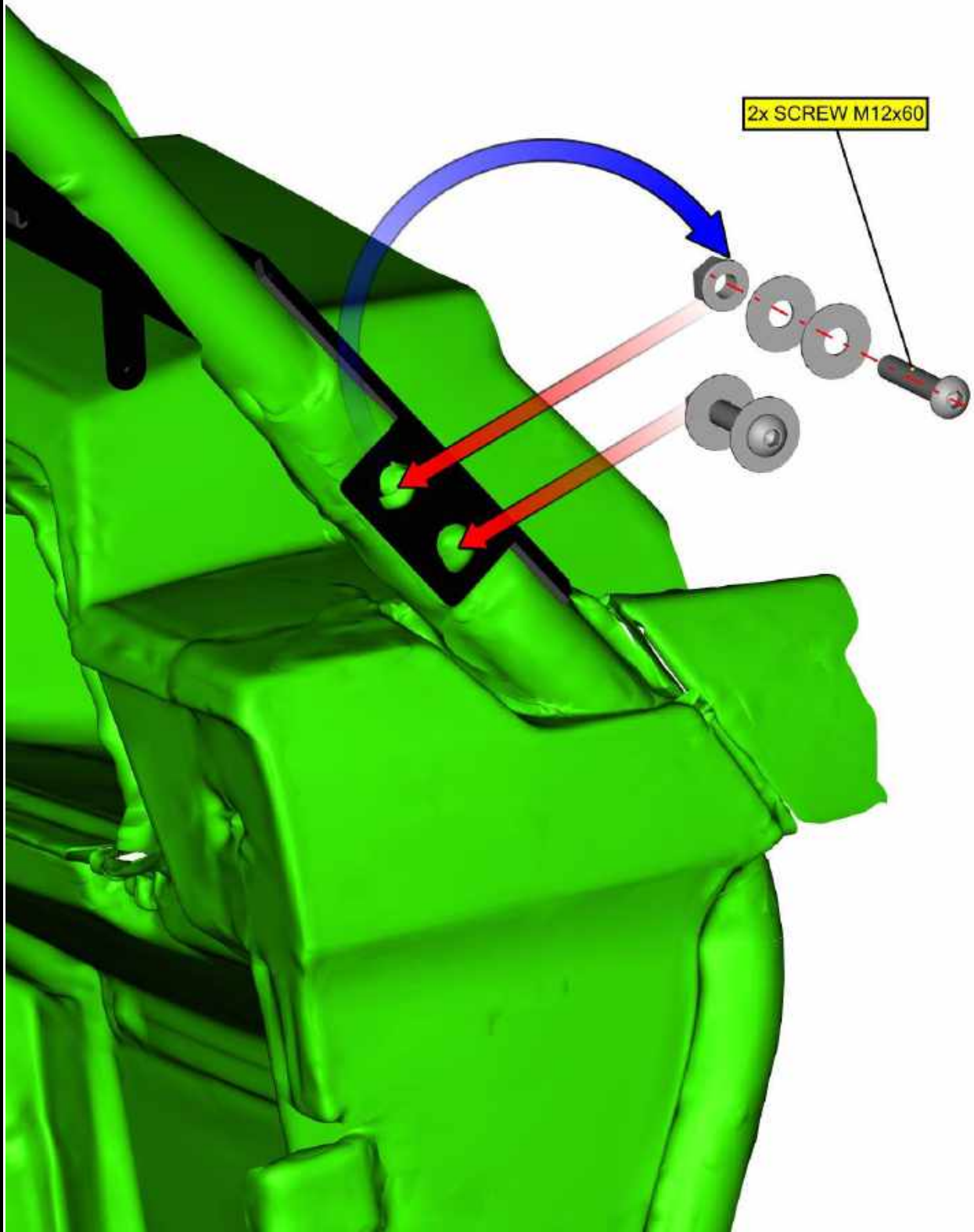


17

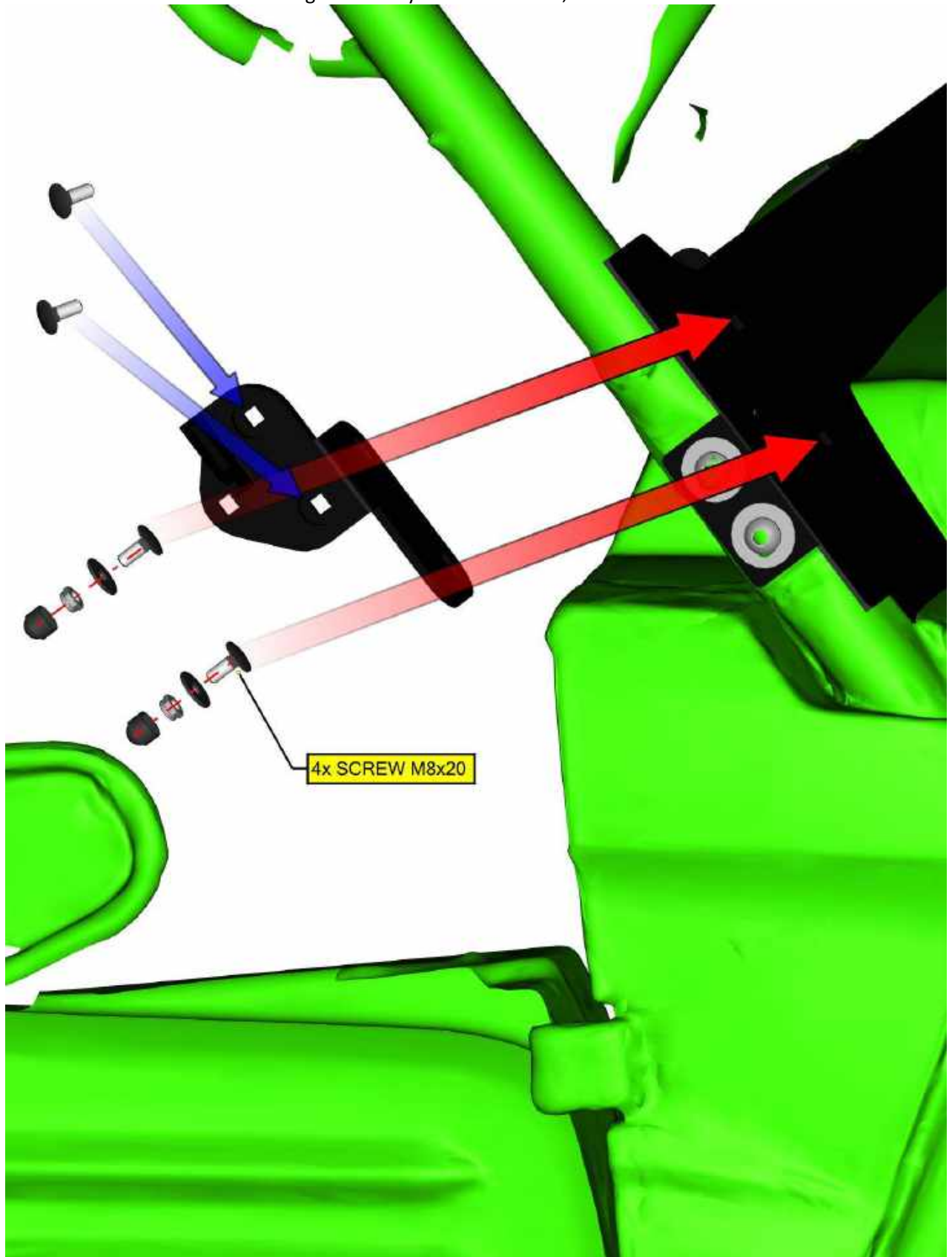
Place the front bottom ledge onto the UTV roller cage.



One by one replace screws from previous step from outer side add washers and nuts and fix the front bottom ledge with the UTV roller cage on both sides.



Install door stop holder screws into the front bottom ledge holder. Place the front bottom ledge holder onto the front bottom ledge and fix by included screws, washers and covers on both sides.



20

**ELECTROINSTALLATION 1.**

**WIPER SET**

View onto the wiper motor with the cover and with the middle ledge.



Place the washer onto the wiper longer pin.



Place the washer onto shorter wiper pin.



View onto installed washers.



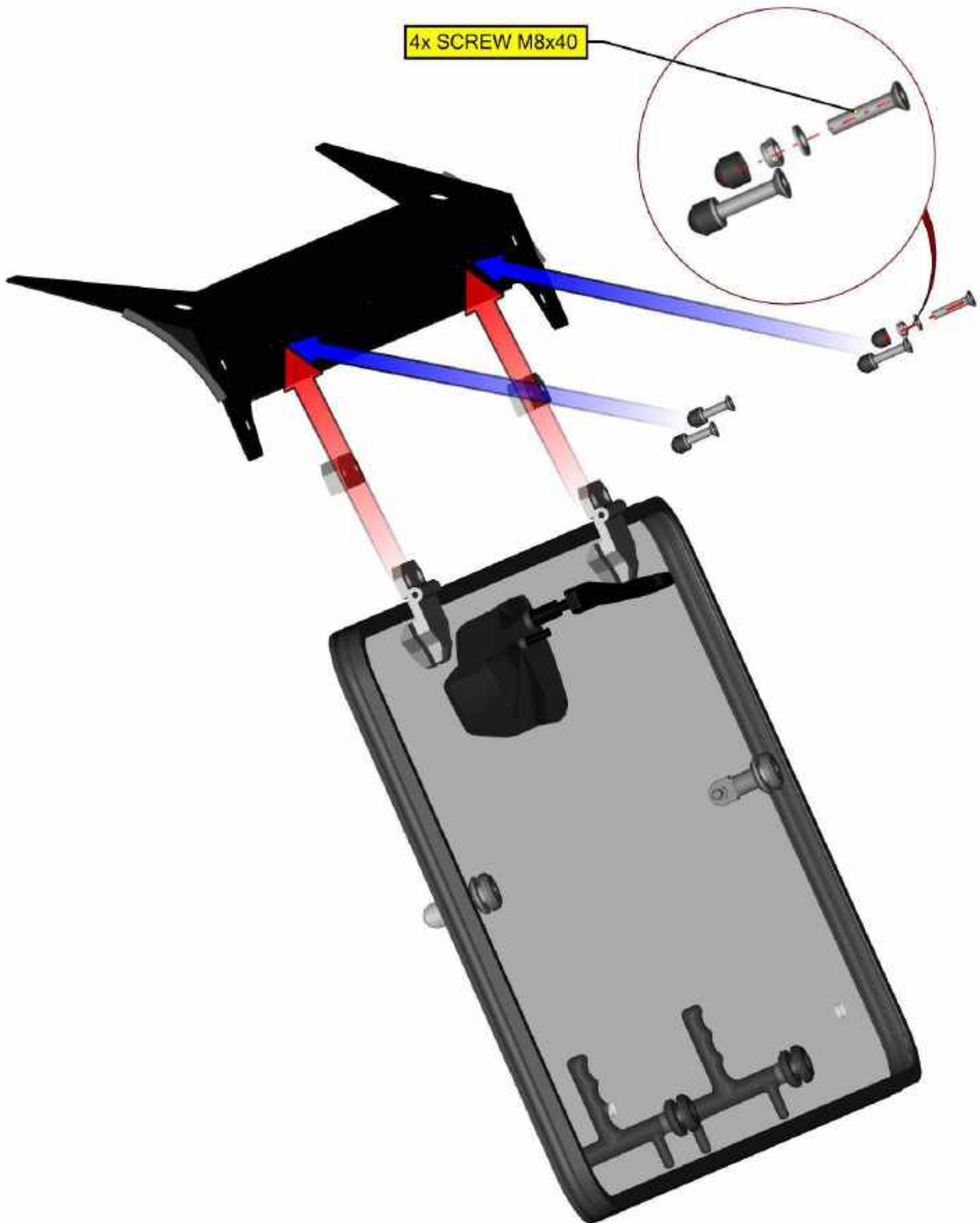
Place the wiper assembly onto the front glass from inner side.  
Insert these washers onto the wiper's pins and onto the glass from outer side.



Fix the wiper motor with the front glass by included nuts and tighten these correctly.

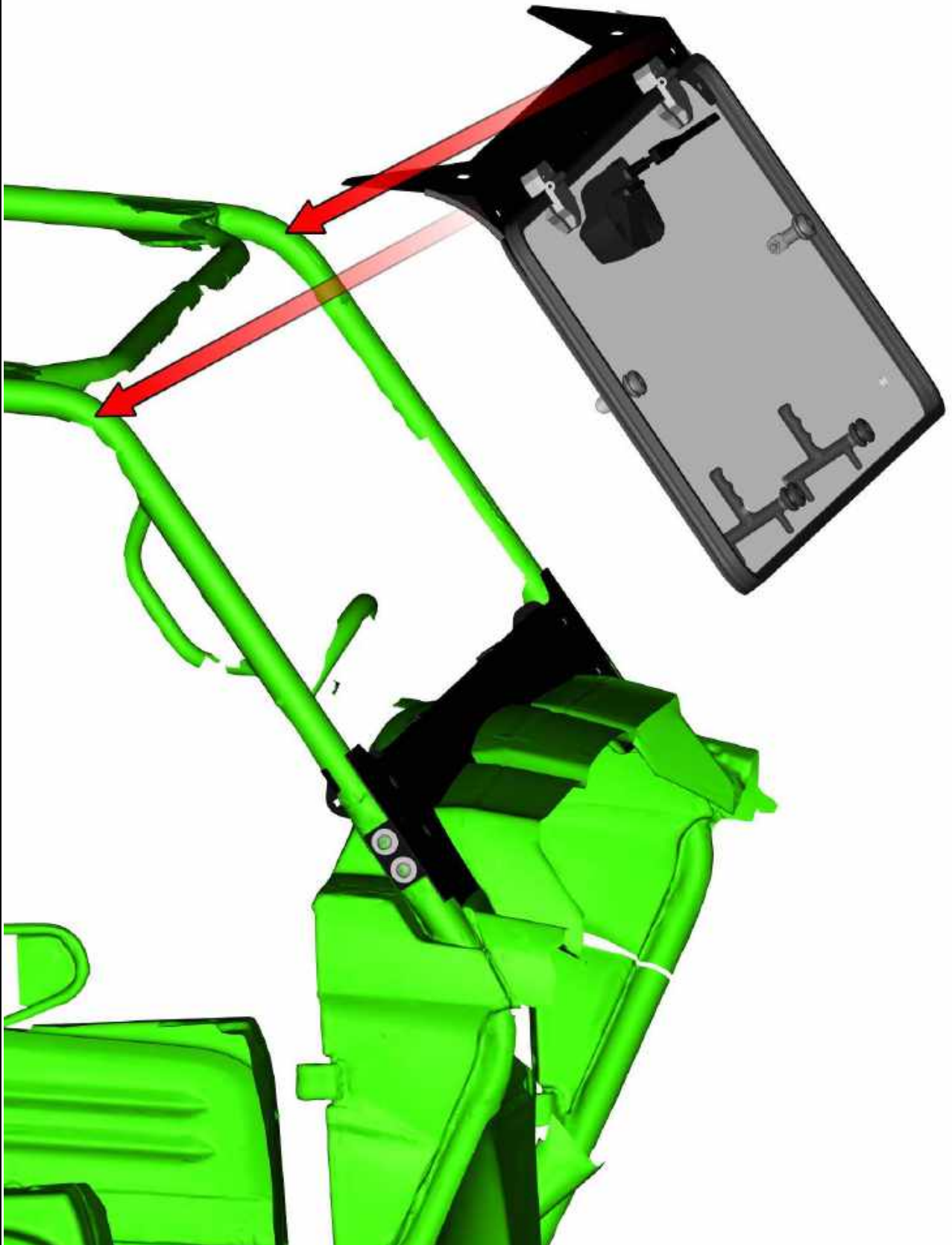


Place the front glass assembly onto the front upper ledge by hinges and fix by included screws, washers, nuts and covers.

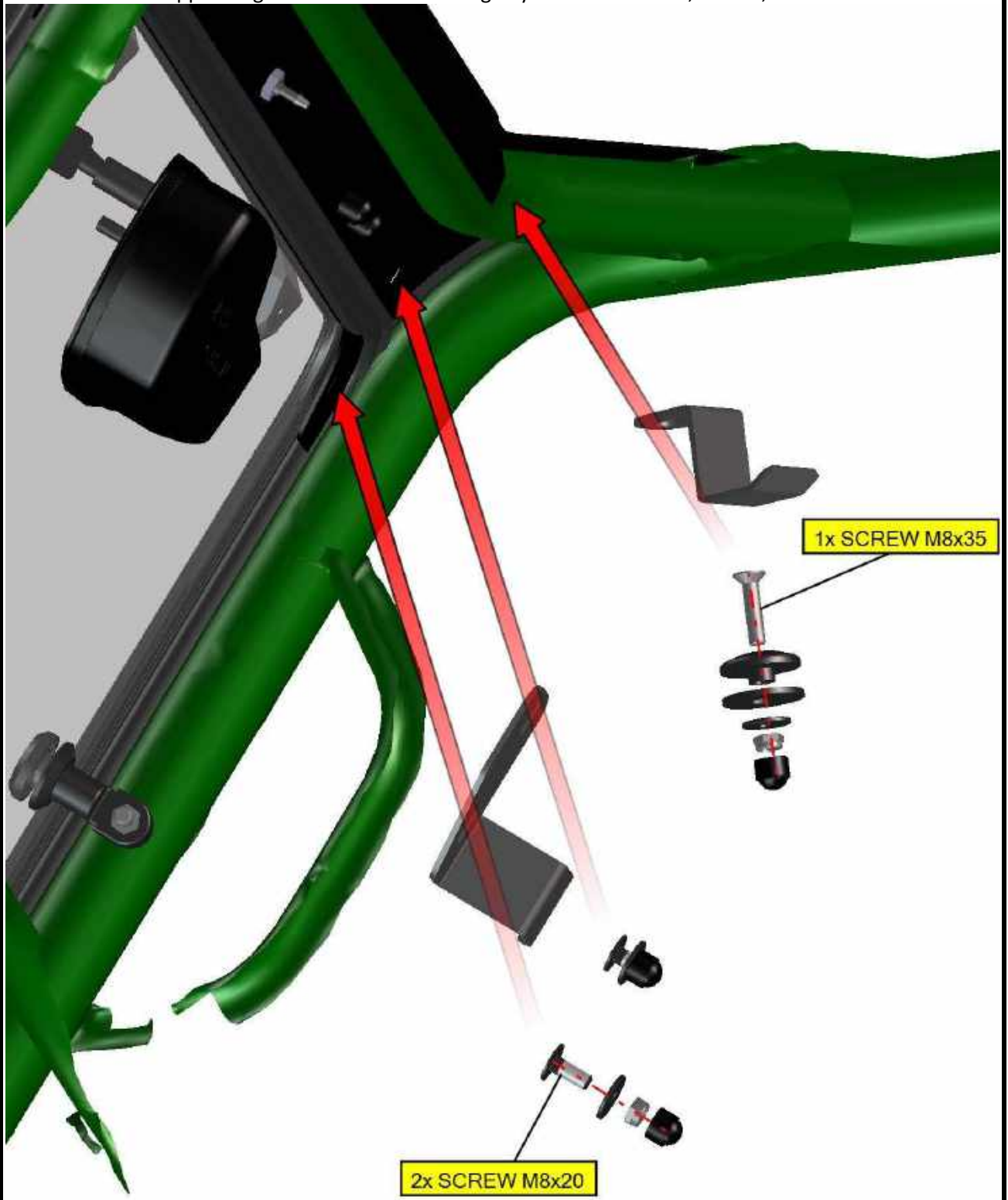




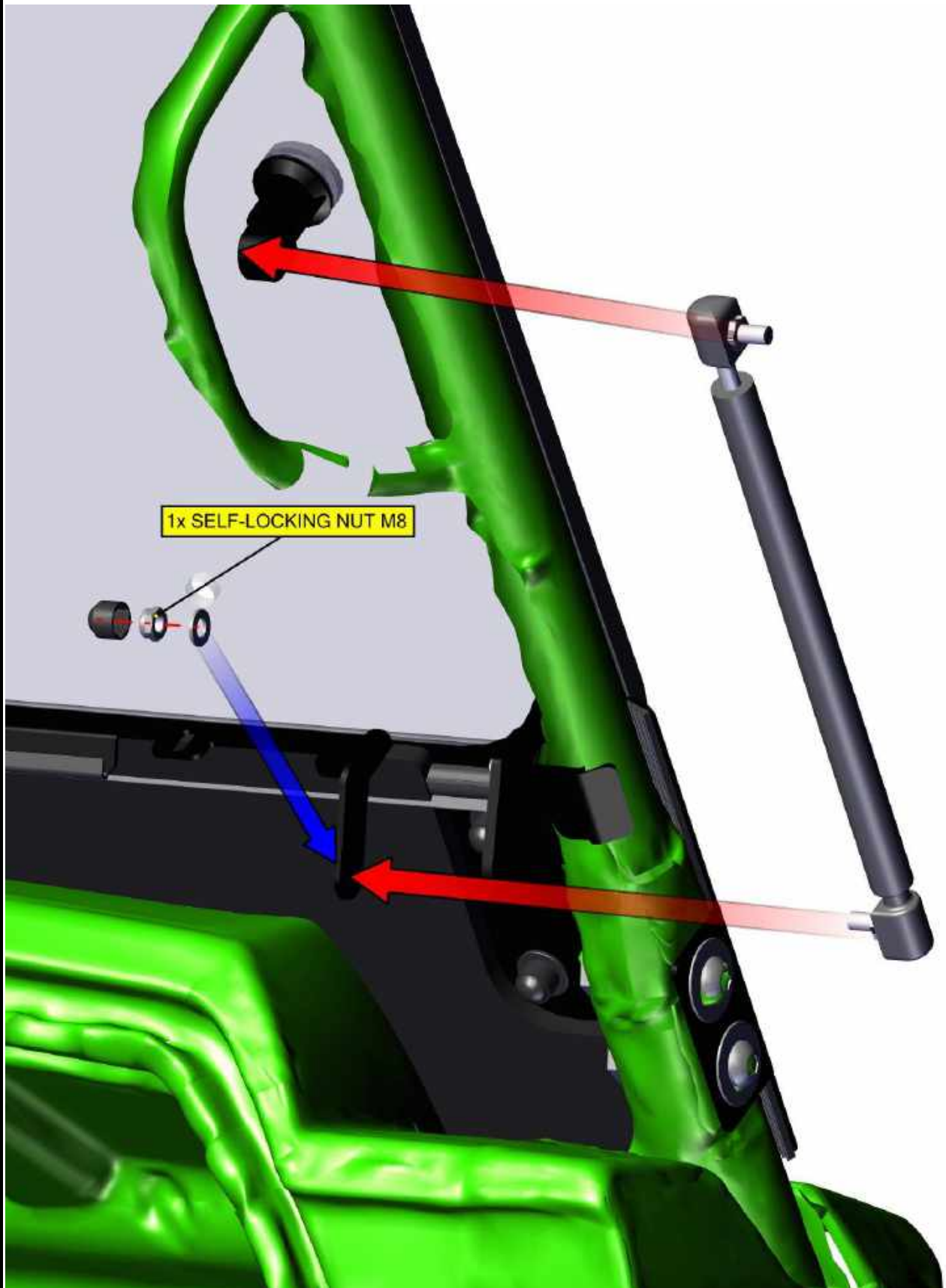
Place the front panel assembly onto the UTV roller cage.



Fix the front upper ledge with the UTV roller cage by included holders, screws, washers and covers.

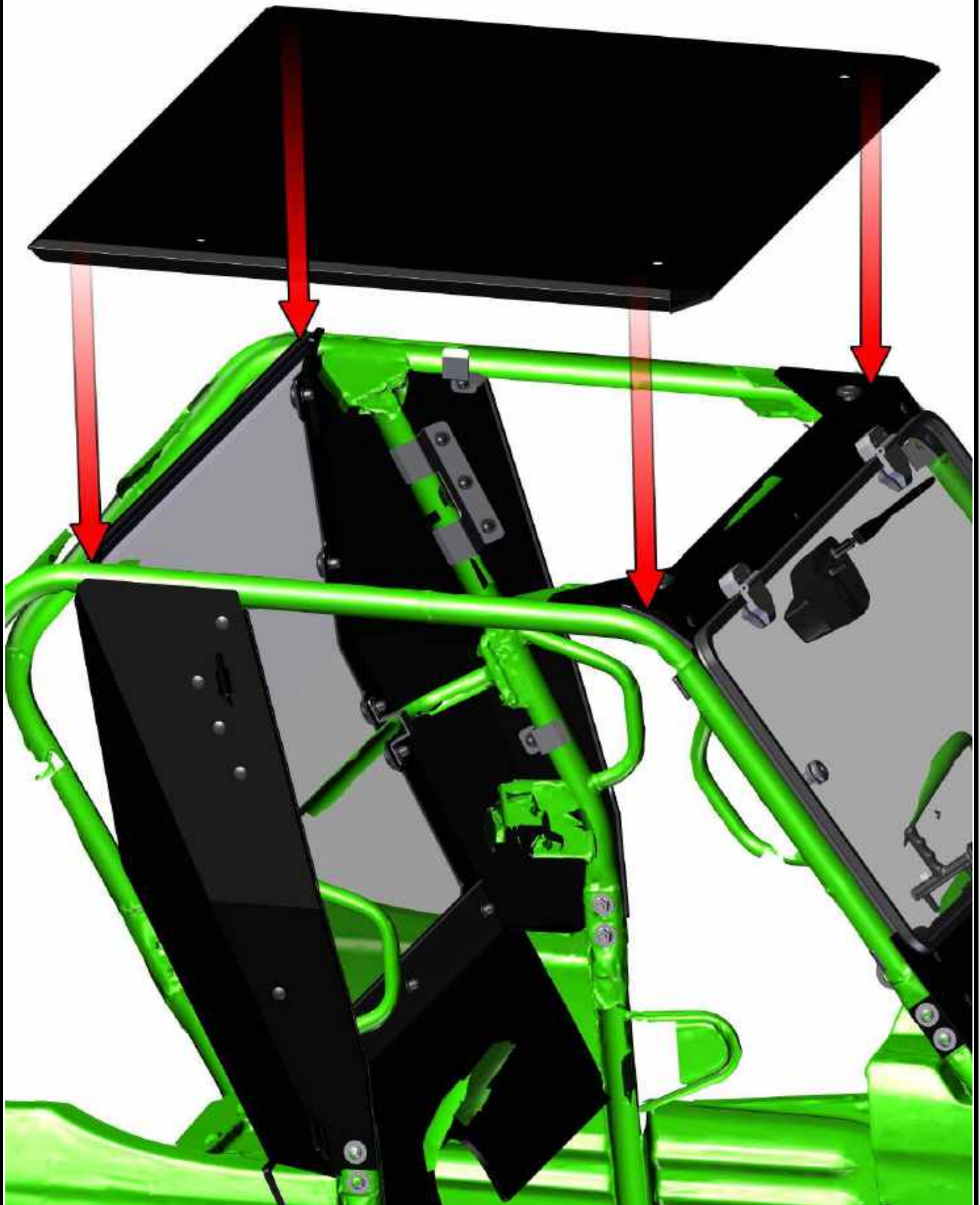


Install front gas spring into the front gas spring holders and fix by included nut, washer and cover on both sides.

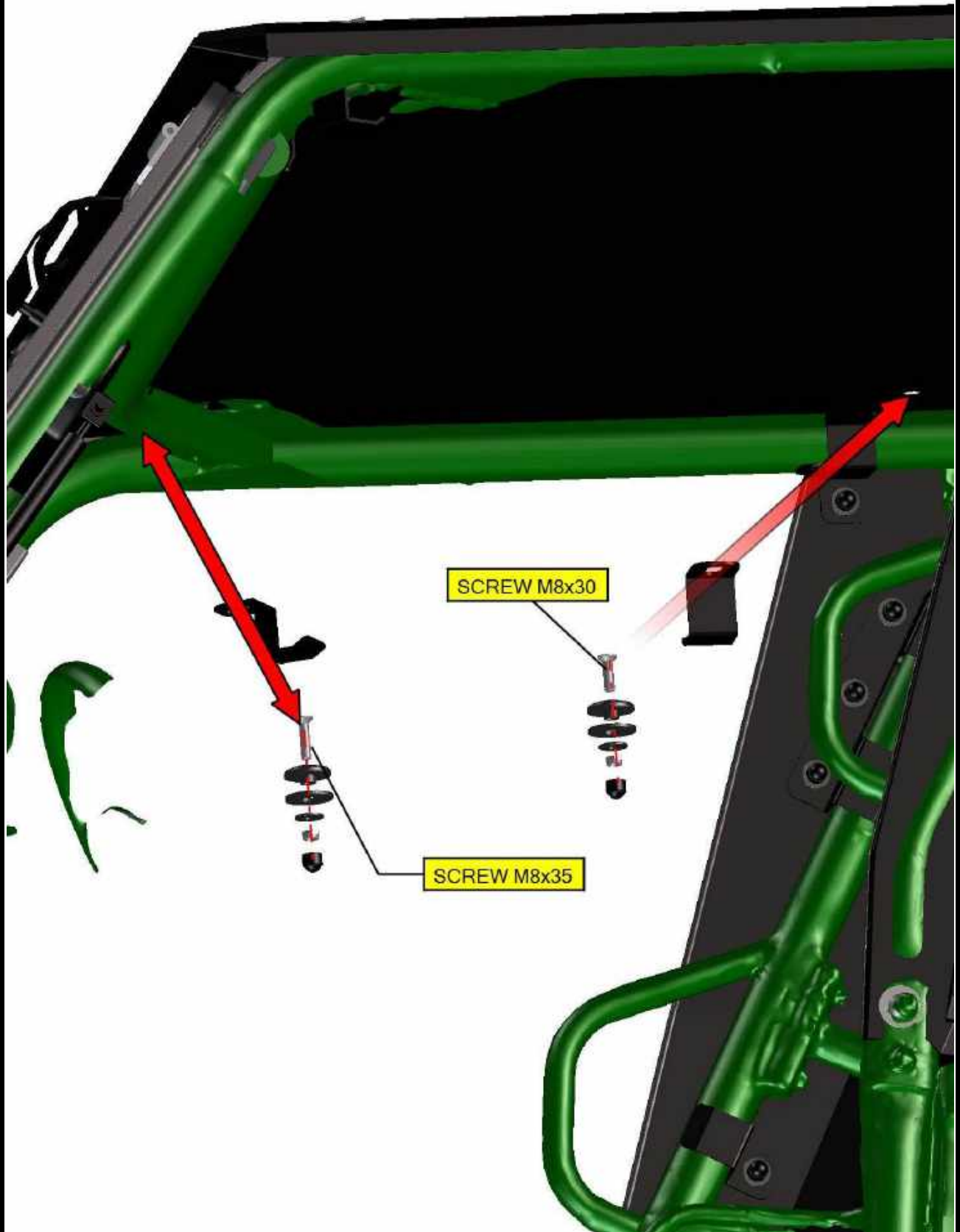


ROOF

Place the roof onto the UTV roller cage.

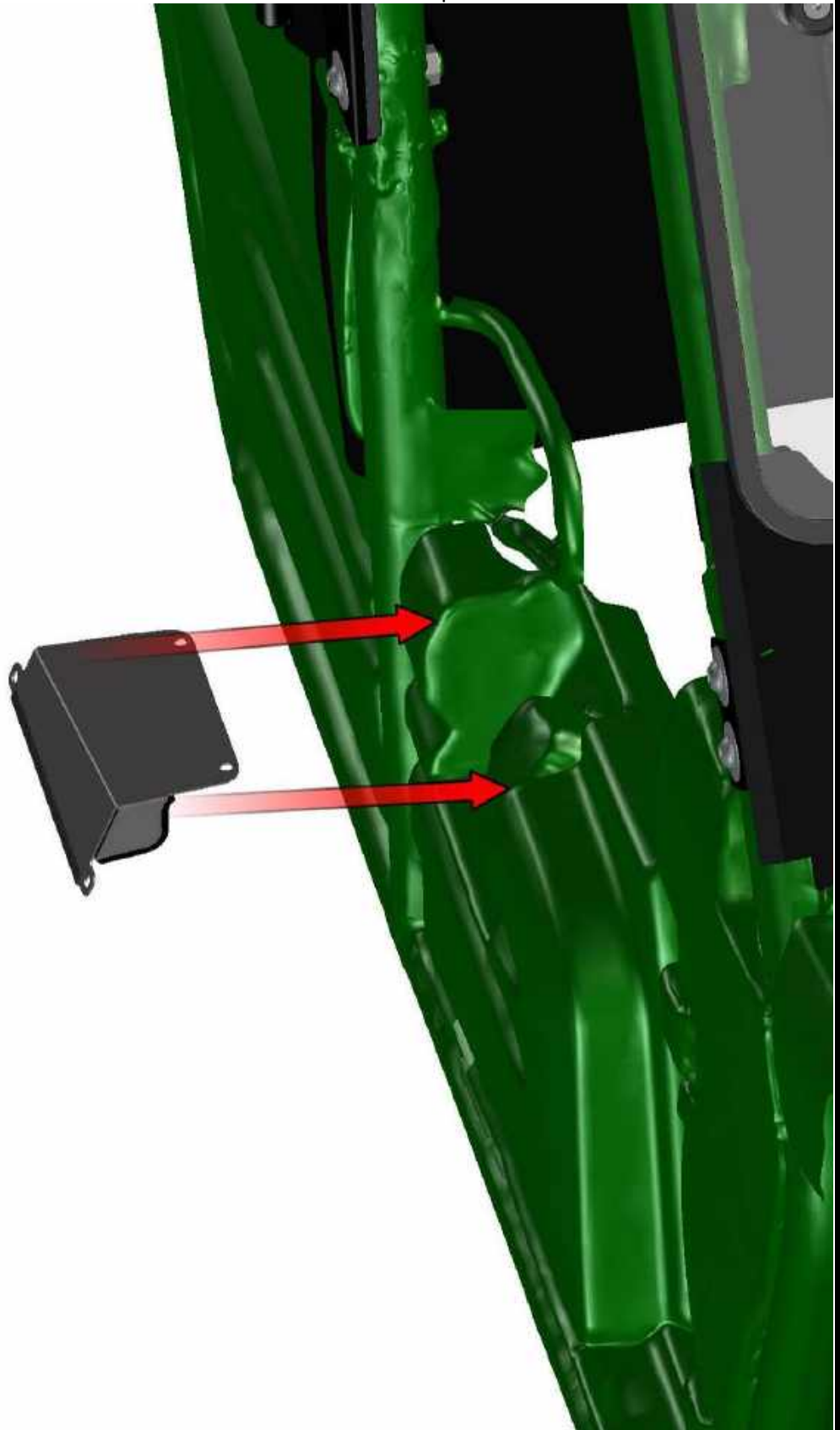


Fix the roof with the UTV roller cage by included holders, screws, washers, nuts and covers. If necessary uninstall front upper ledge upper holder screw and lead it through the roof too on both sides.



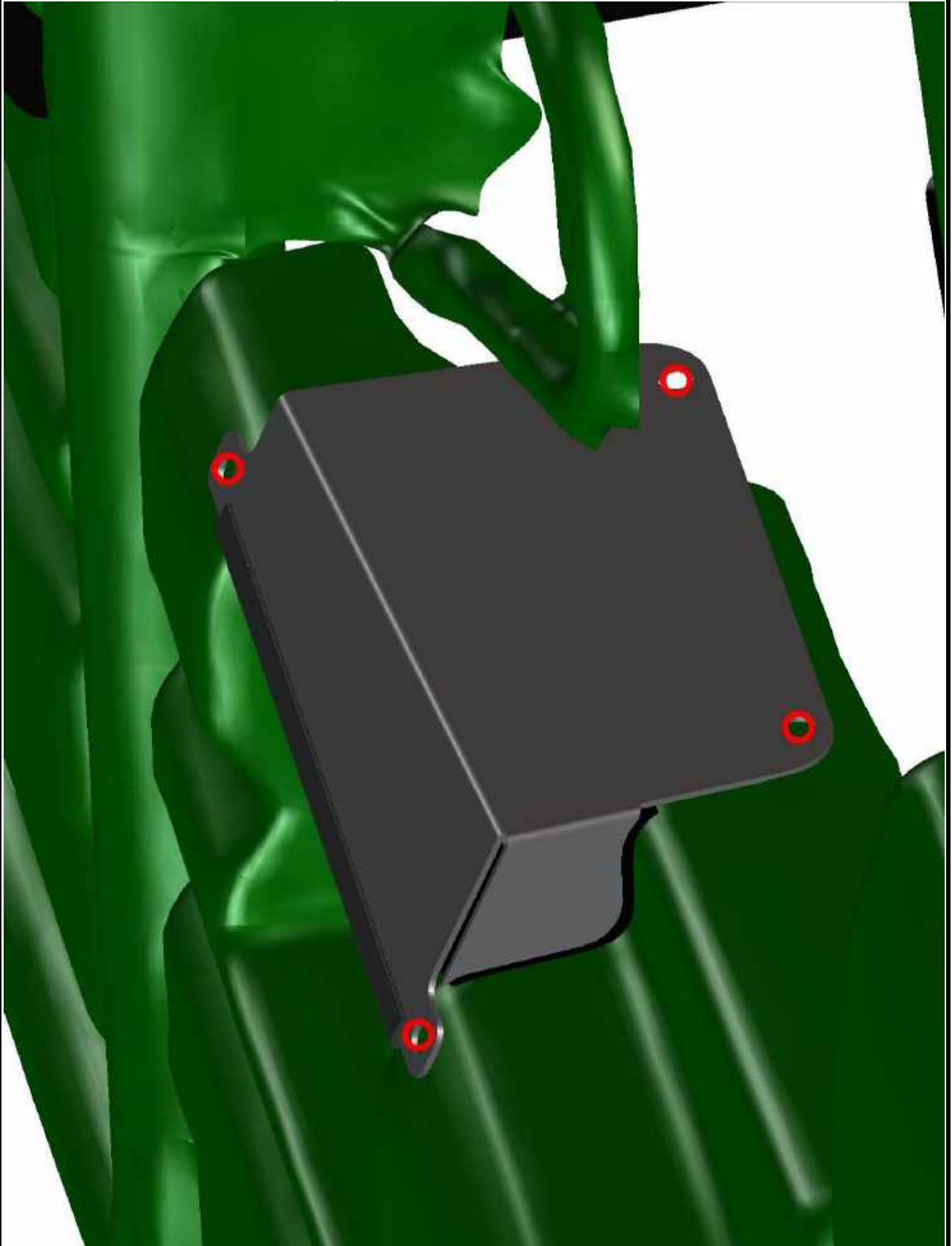
RIGHT DOOR

Place the fuel filler cover into the best position.

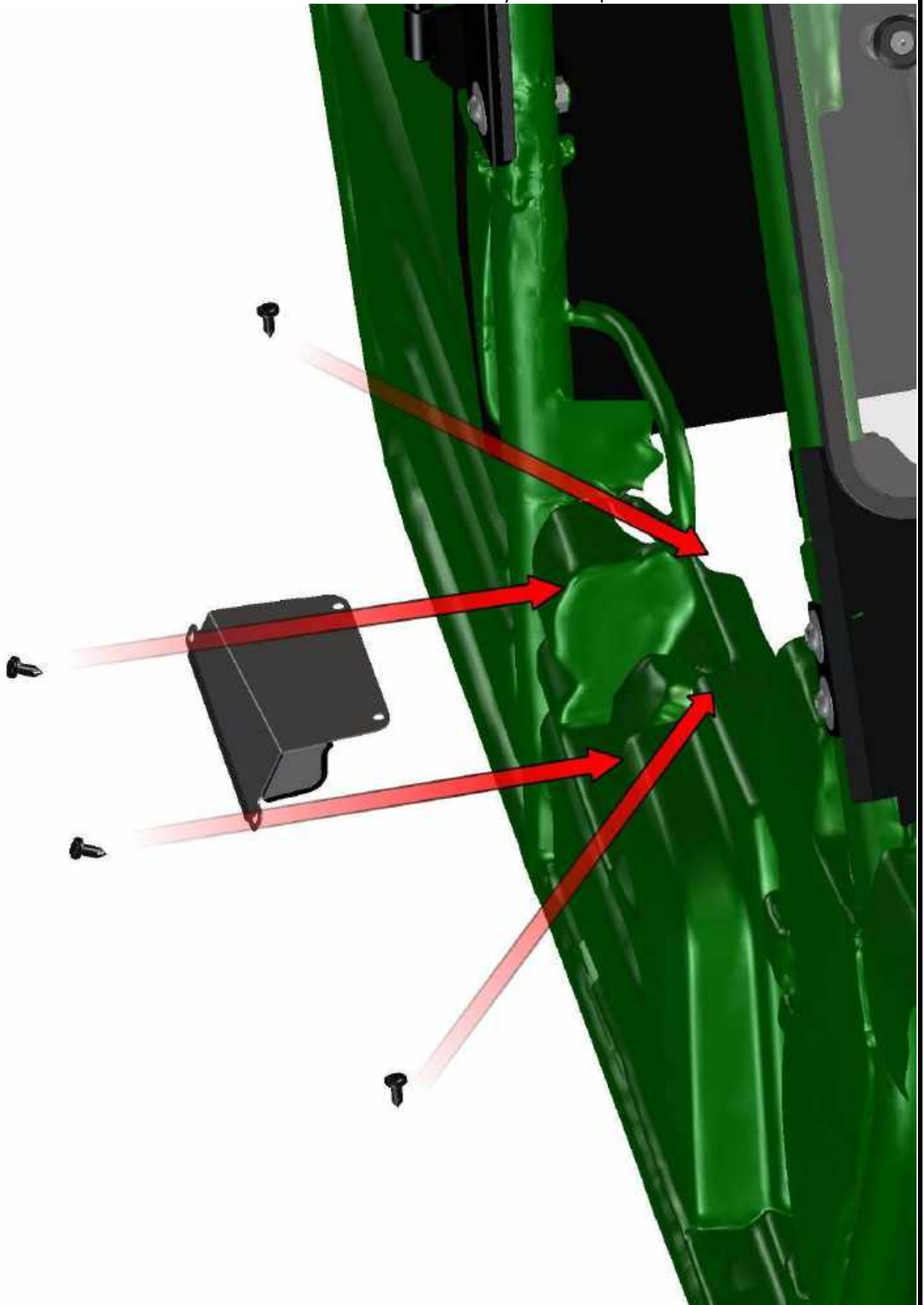


30

Make marks onto the UTV plastic covers in accordance with the fuel filler cover holes. Take the fuel filler cover out and carefully drill holes  $\varnothing$  8,1mm (0,32 in) into the marks centers.



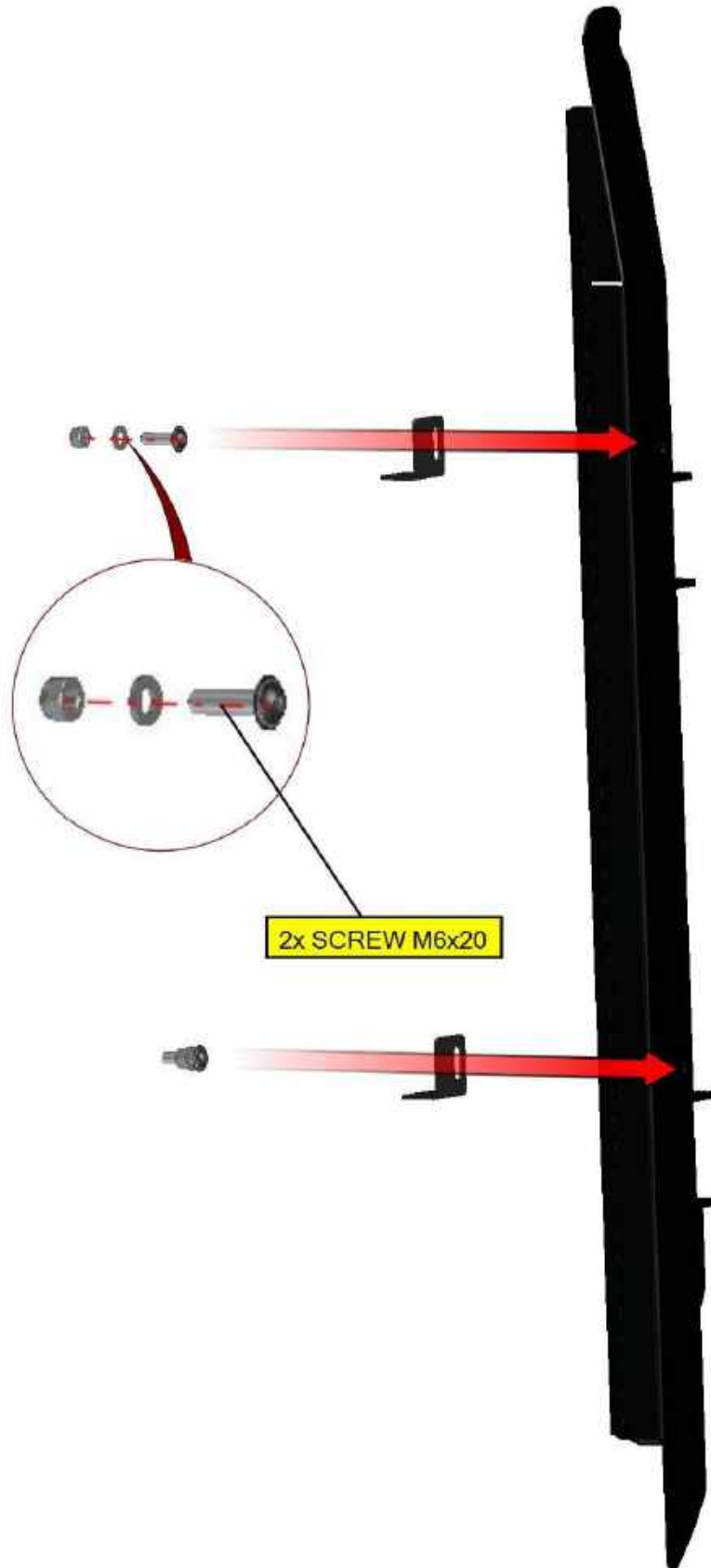
Place the fuel filler cover back and fix by included plastic rivets.



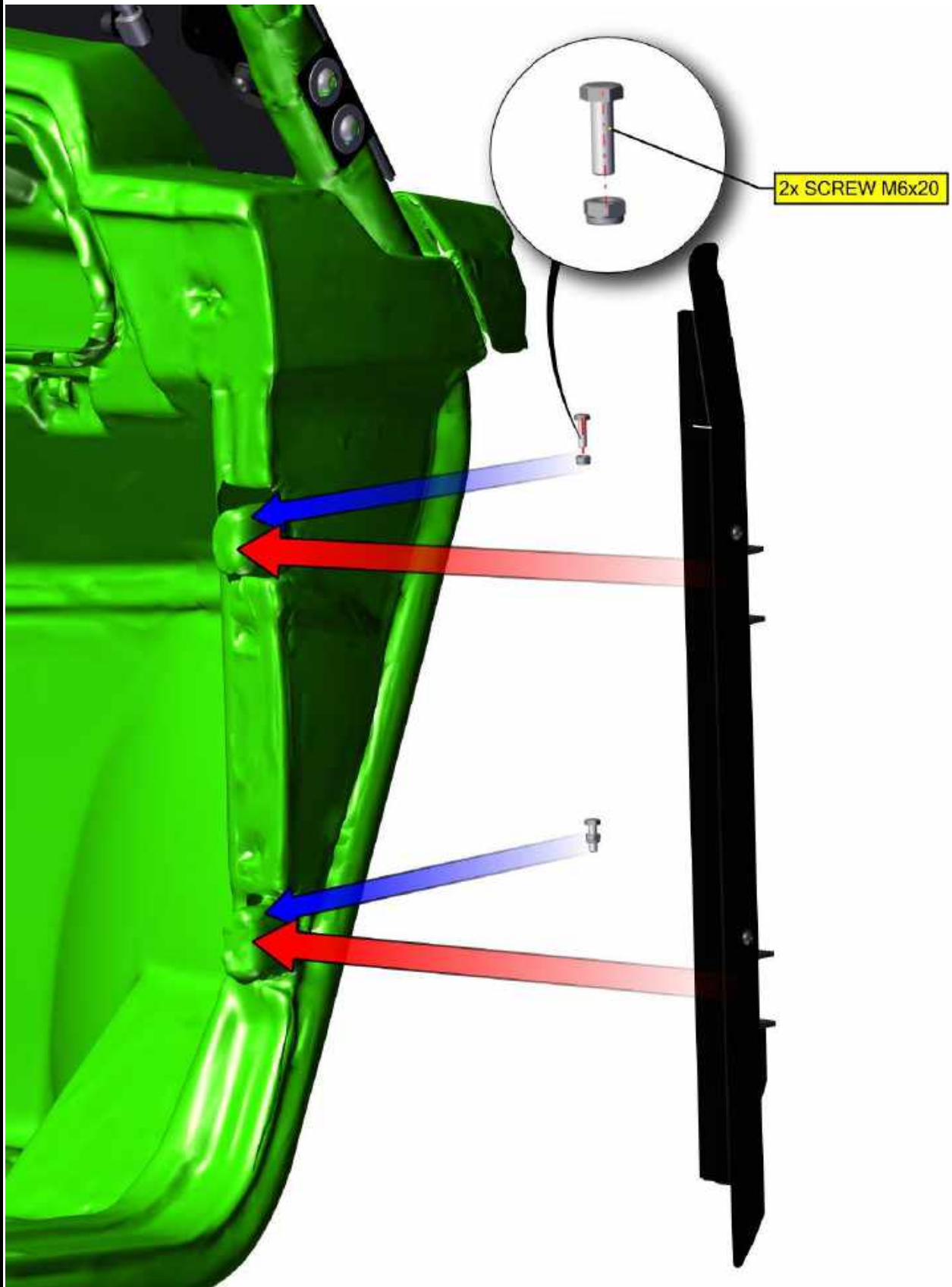


**LEFT DOOR + RIGHT DOOR**

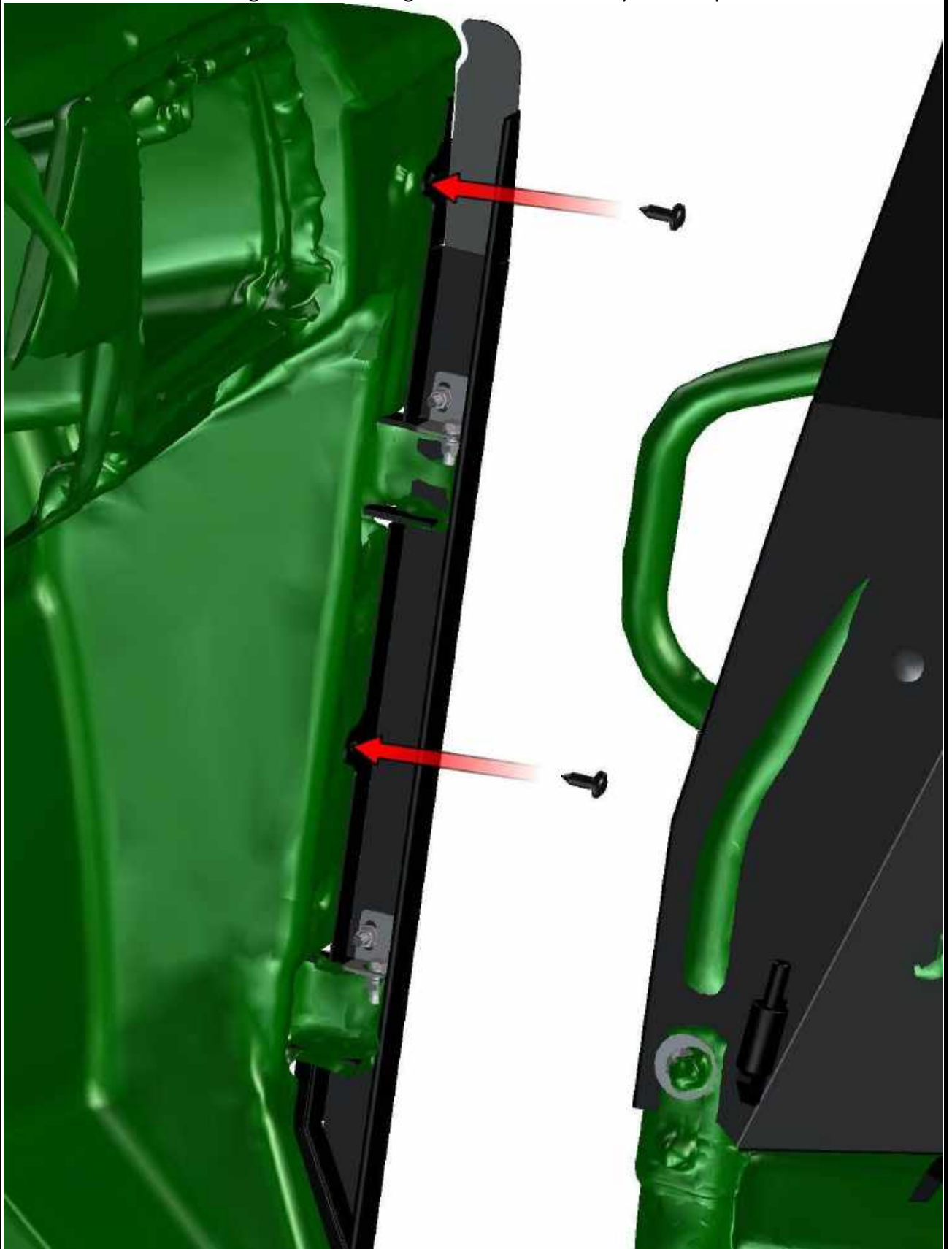
Place the front hinge holders onto the right front door ledge and fix by included screws, washer and nuts.



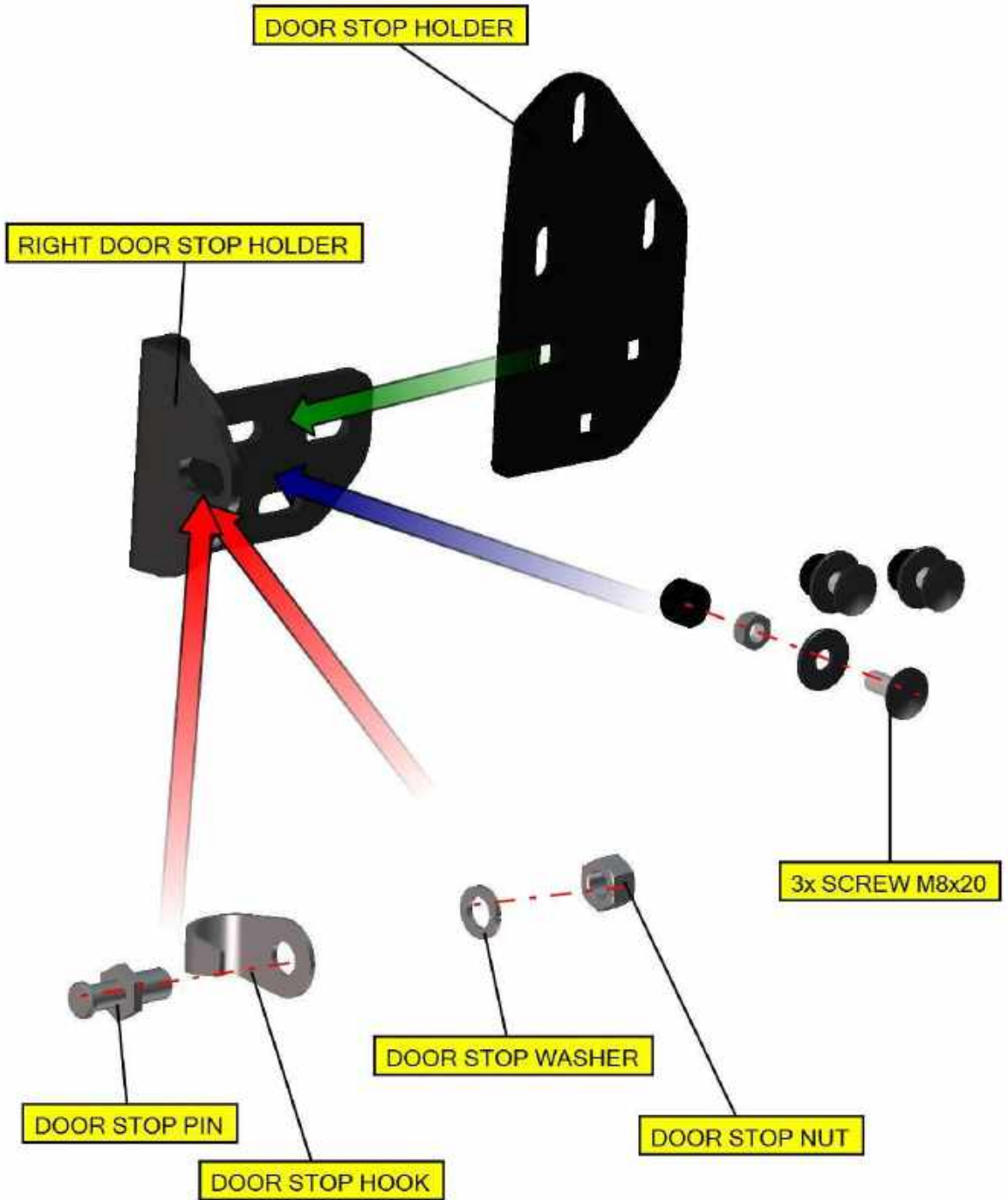
Place the right front door ledge onto the front hinges bases by holders and fix by included screws, washers and nuts.



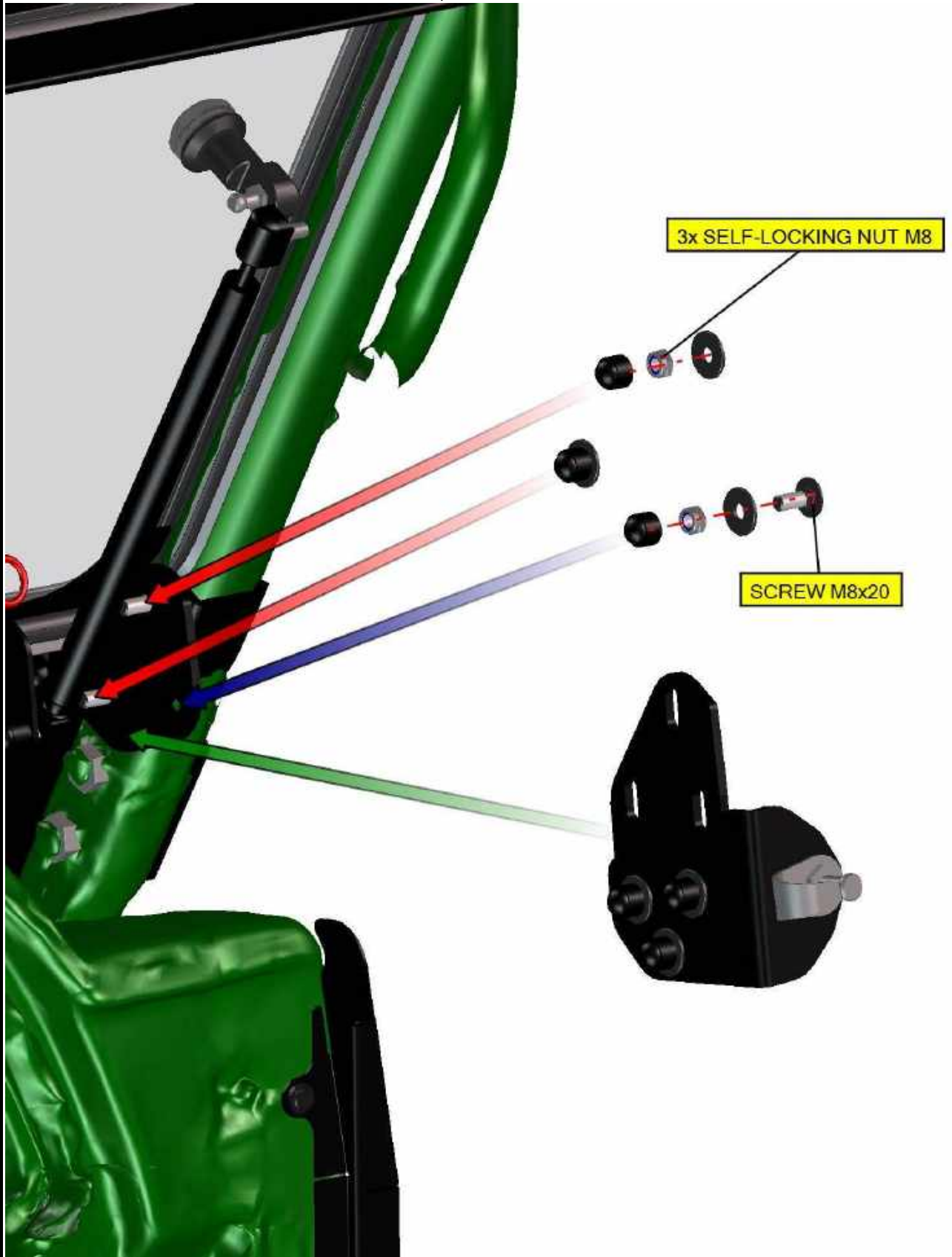
Carefully drill holes  $\varnothing$  8,1mm (0,32 in) into the original UTV covers in accordance with the front door ledge holes. Fix the right front door ledge with the UTV covers by included plastic rivets.



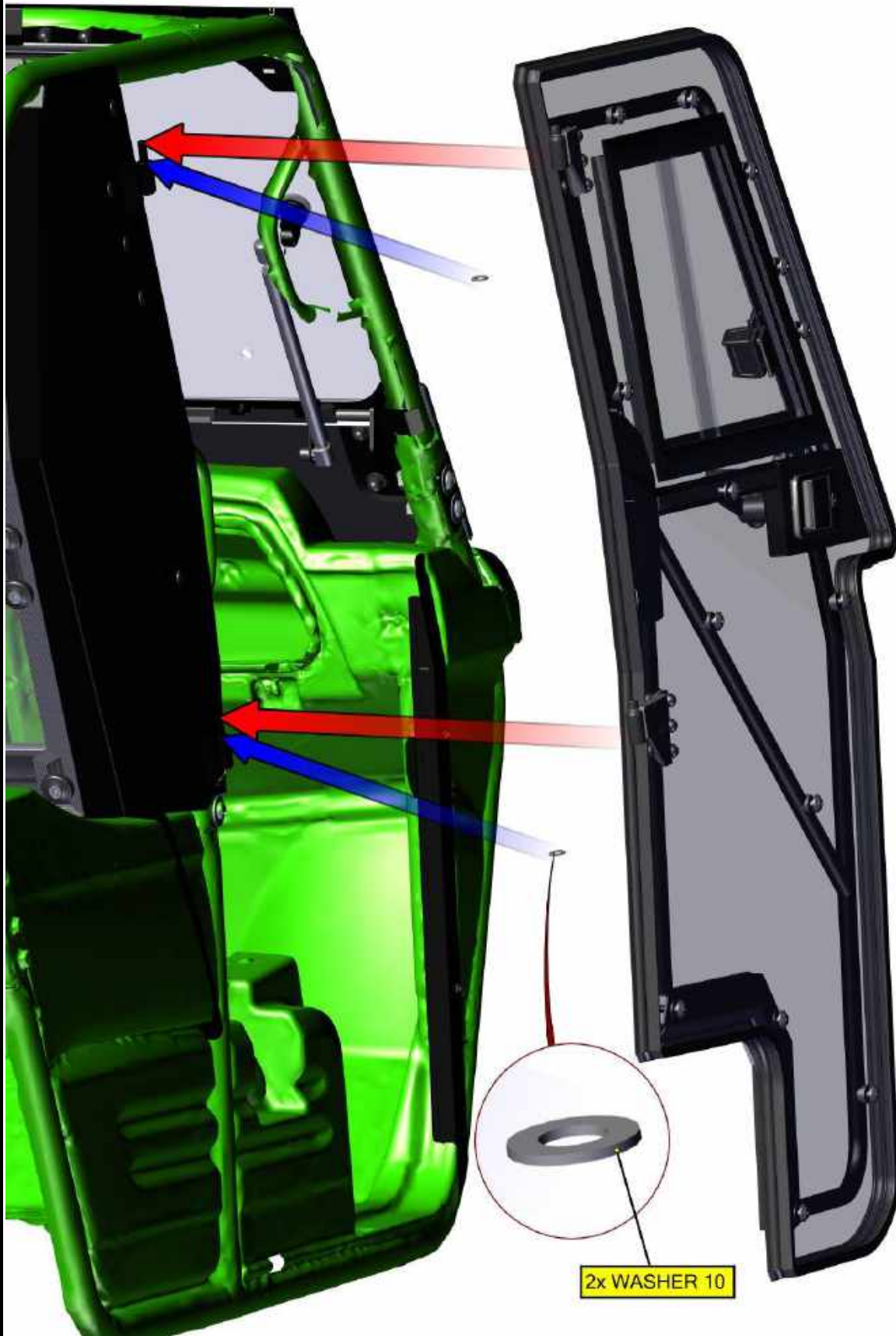
Intall the door stop assembly into the right door stop holder. Place the whole assembly onto the door stop holder and fix by included screws, washers, nuts and covers.



Place the right door stop assembly onto the right front bottom ledge holder and fix by prepared screws, washers, nuts and covers.



Install the washers onto the hinges pins and place the right door onto the hinges.



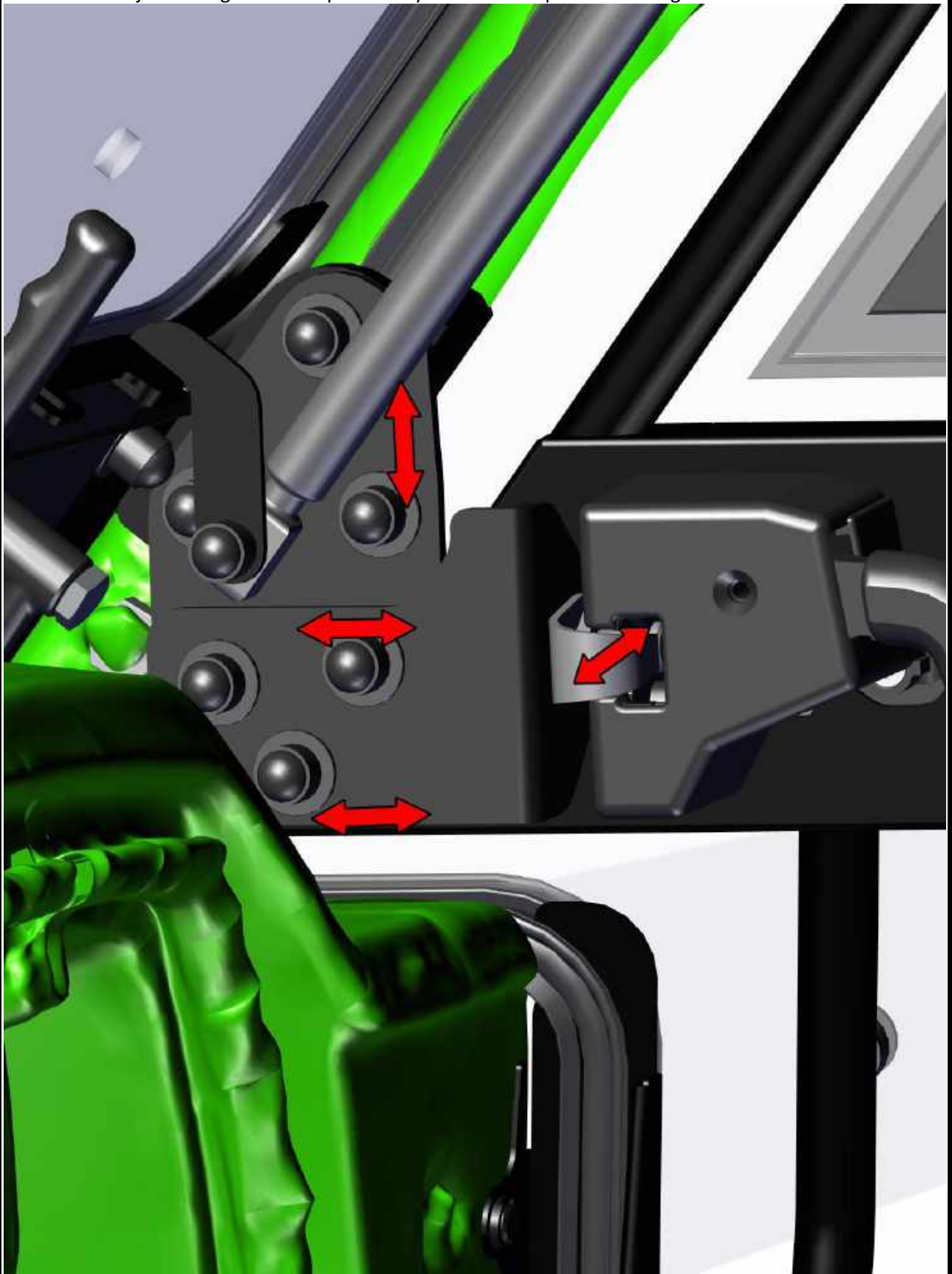
Adjust the right door into the best position and tighten hinges screws correctly.



39

***Please by carefull to not broken the the door panel poly, if you tightening screws on the door panel poly use maximal power 7 foot-pound force (10 Nm)!!!***

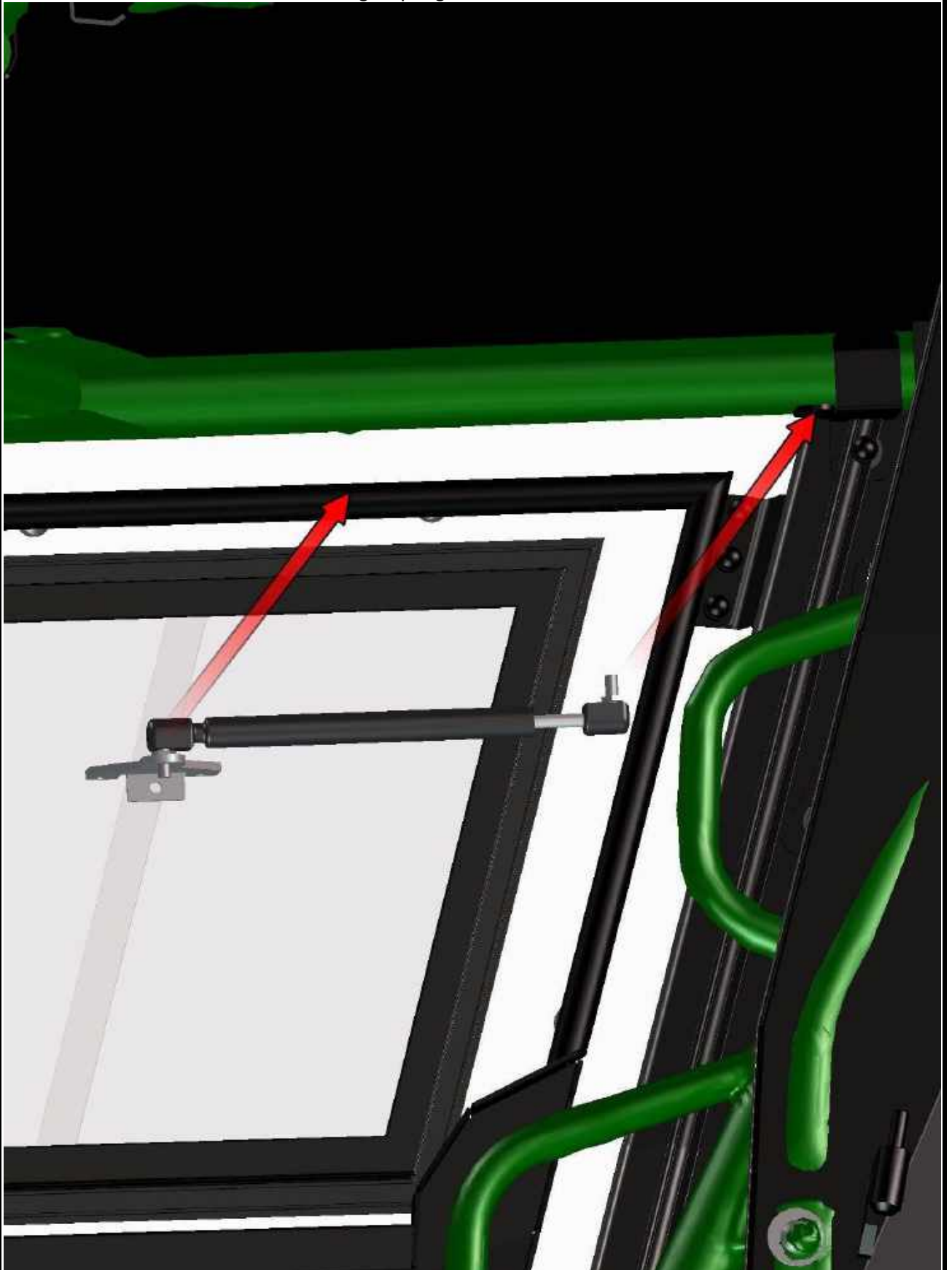
Adjust the right door stop assembly into the best position and tighten screws hard.



40



Install the gas spring into the door base holder.



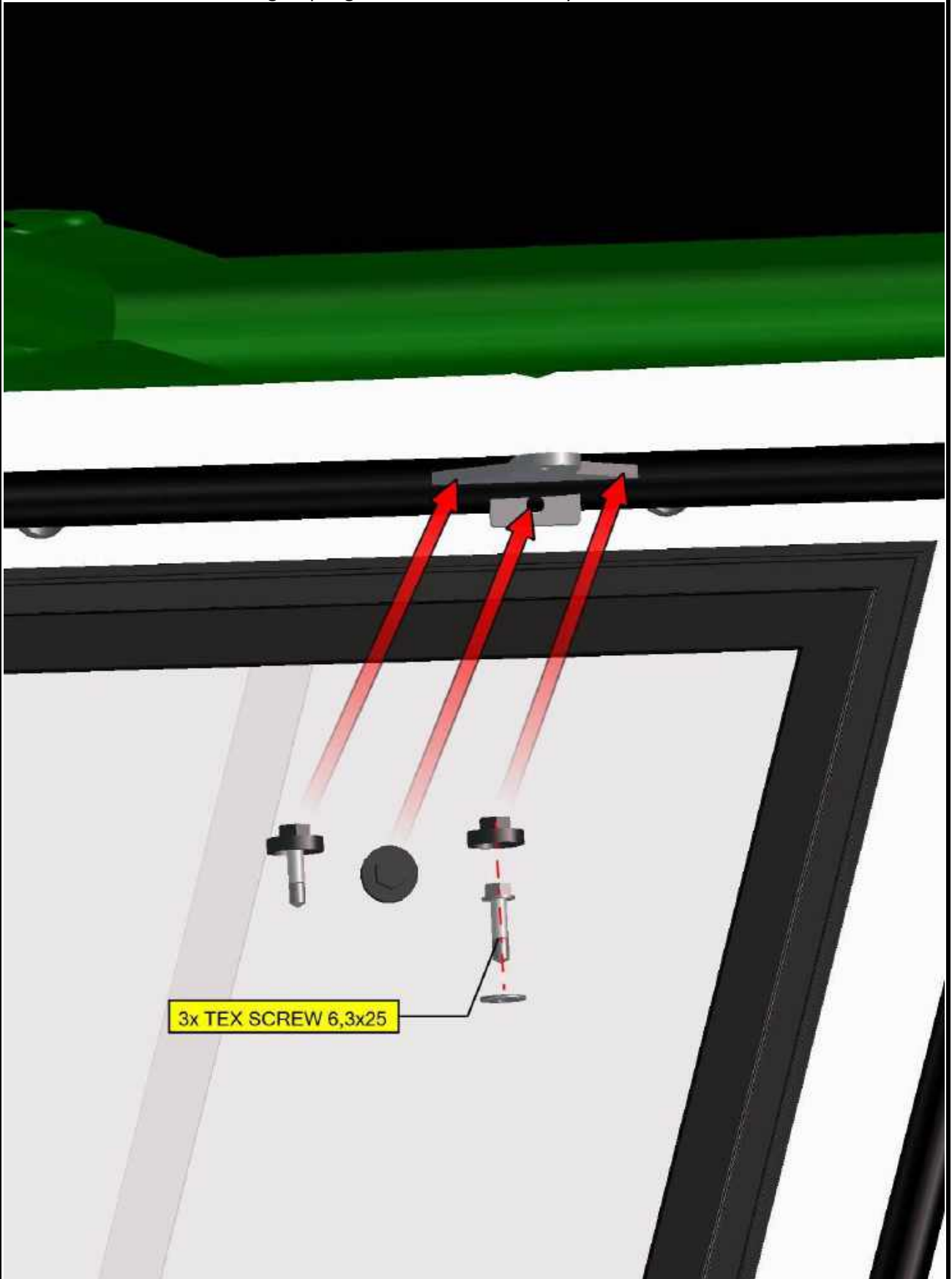
41

Adjust the gas spring door holder into the best position.



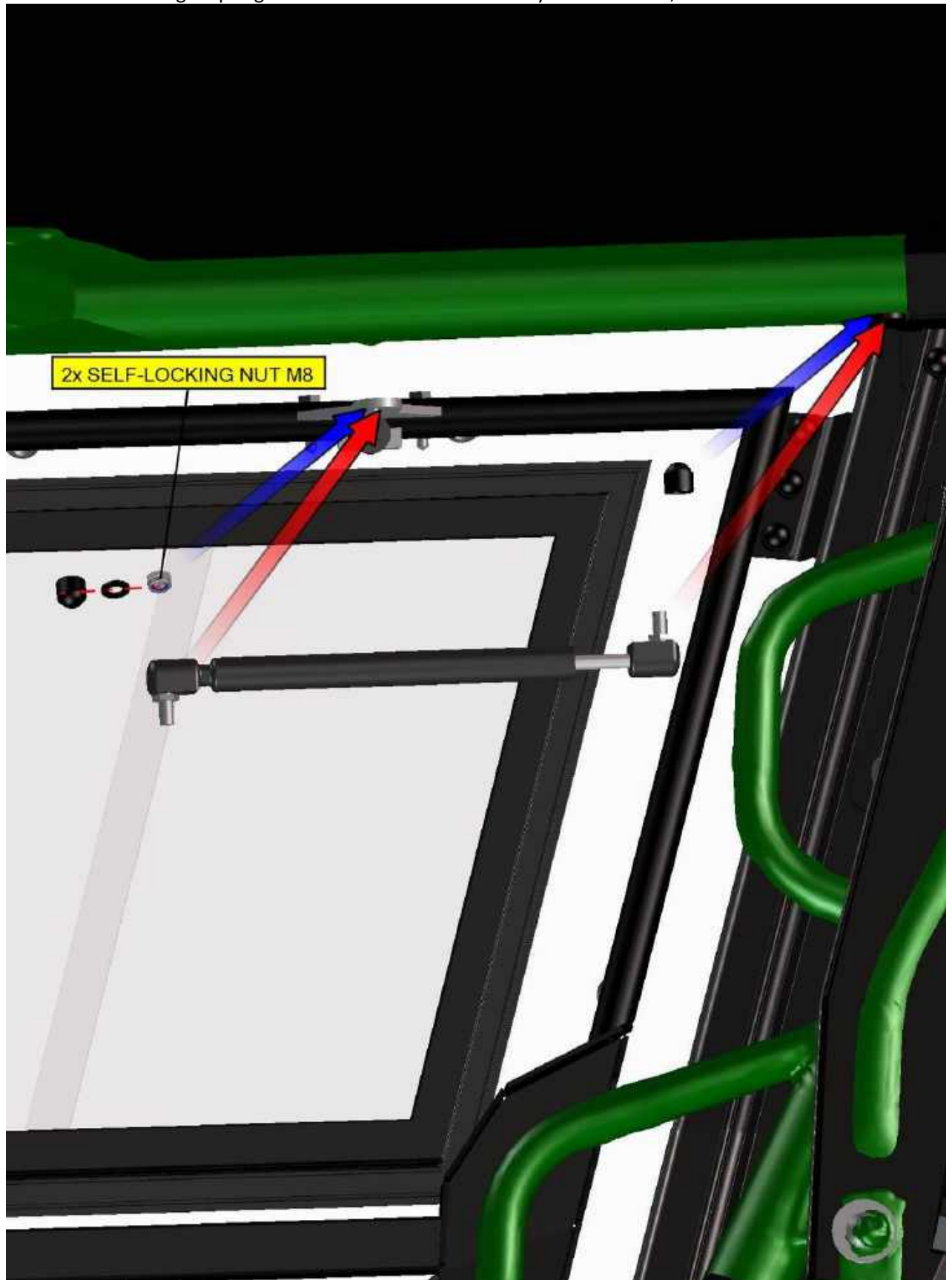
42

Take the gas spring out and fix the holder by included TEX screws.

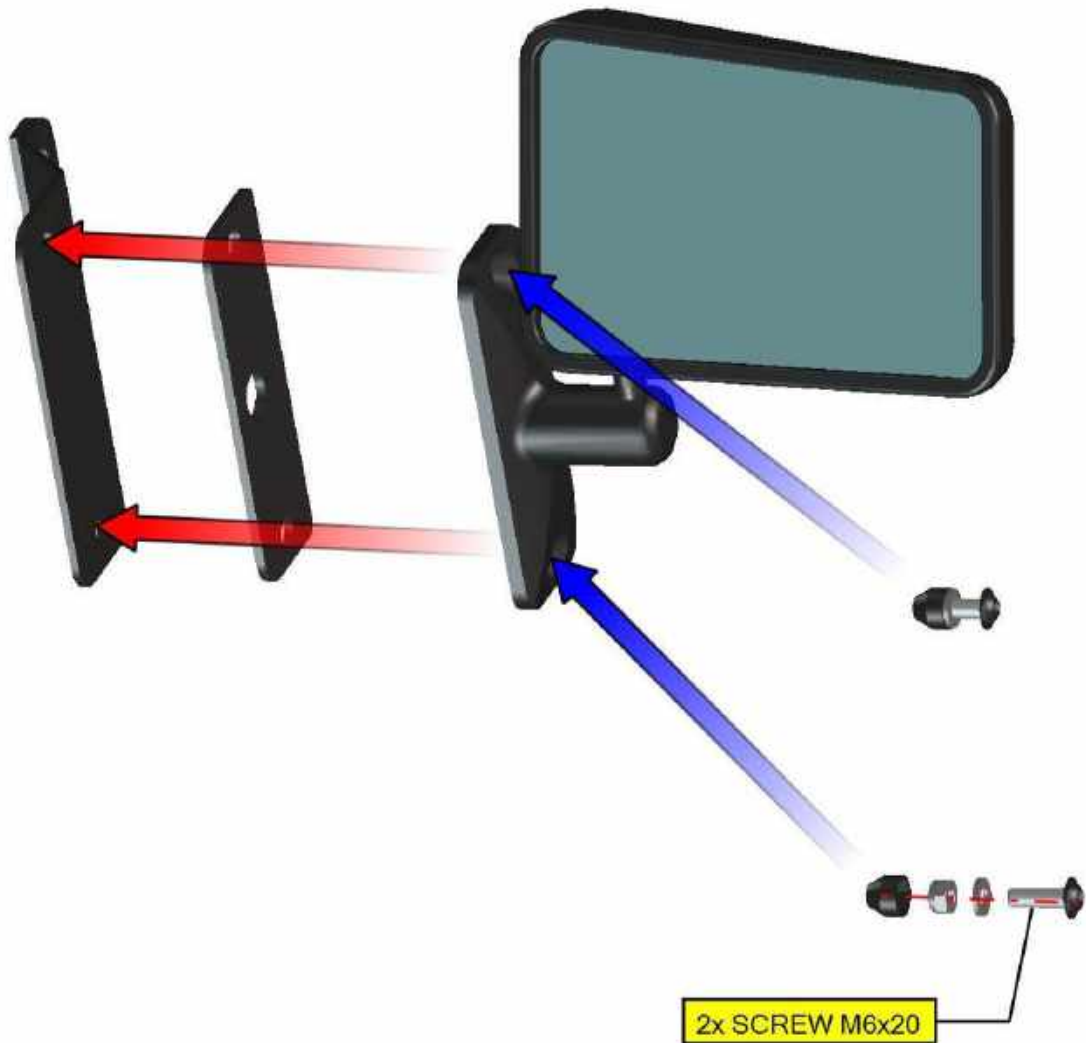


43

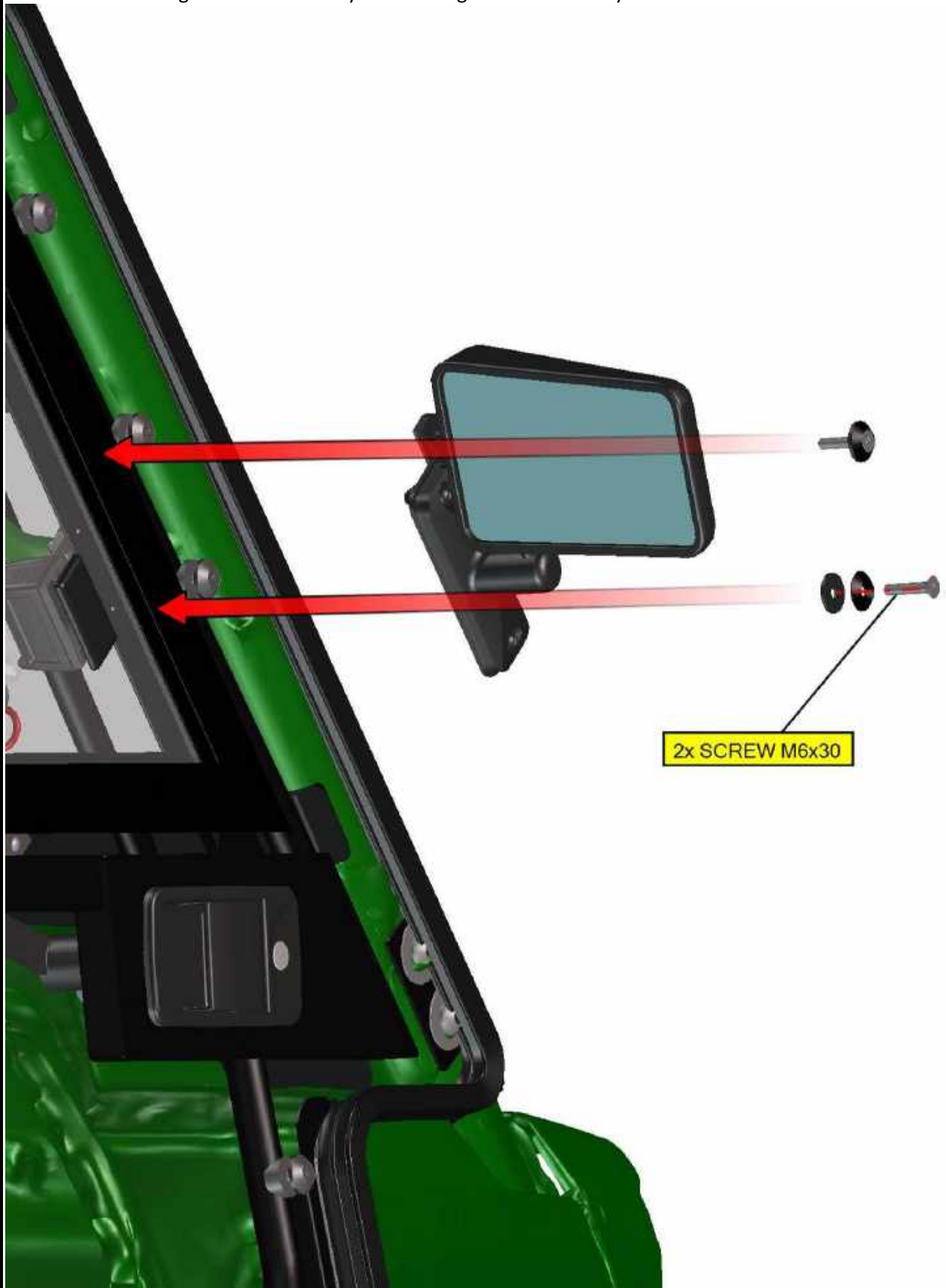
Intall the gas spring back into the holders and fix by included nuts, washers and covers.



Place the right mirror onto the right mirror holder and fix by included screws, washers, nuts and covers.



Place the right mirror assembly onto the right door and fix by included screws and washers.



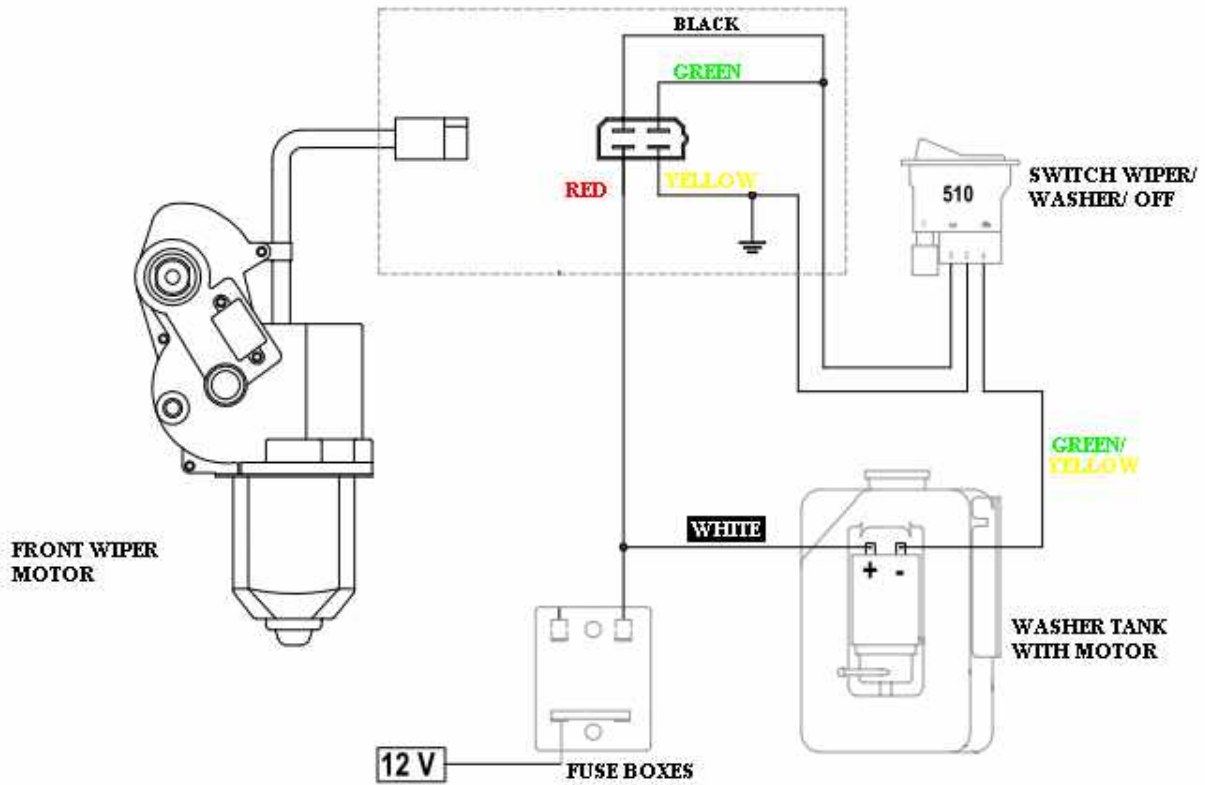
Repeat previous steps with the left door.



47

**ELECTROINSTALLATION**  
**WIPER/WASHER ASSEMBLY**

Overall wiring diagram (wiper/washer)



SEE NEXT PAGES



Parts needed (Included)

Washer tube



Switch wiper/washer/off



Harness and washer tank



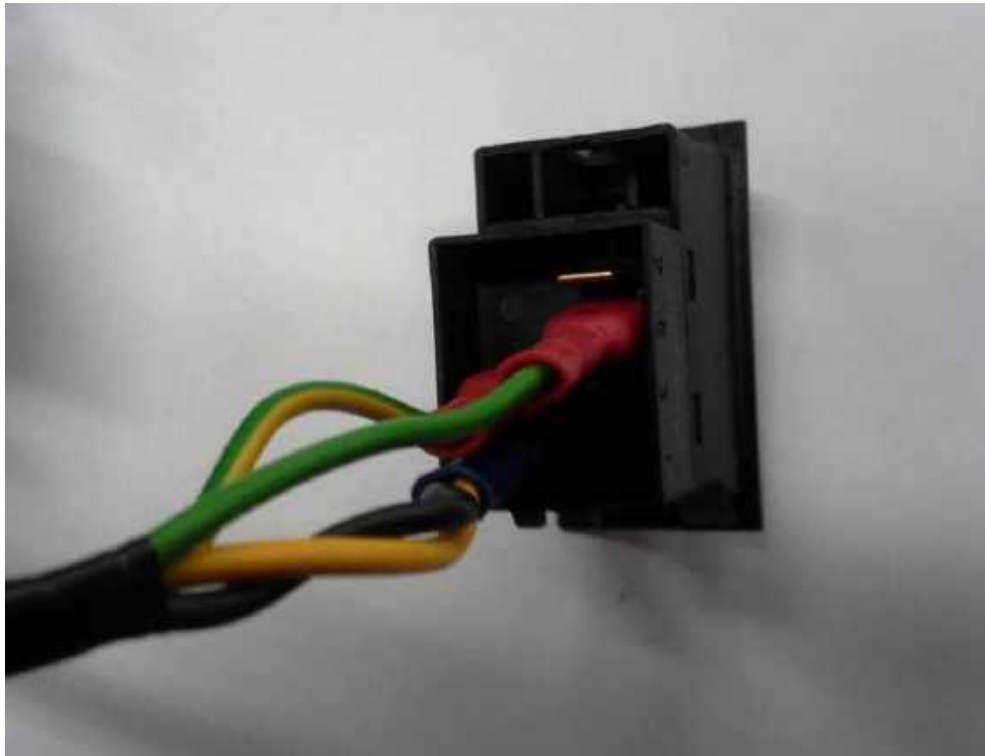
Install the washer tank to the UTV by washer tank holder and correct screw, washers and nut (included).  
Run the harness branch No.: 2 from the harness to the dashboard inner space.



Find the best place for wiper/washer switch and cut rectangle hole for that (red rectangle).



Connect the harness branch No.: 2 with the swith and insert that into the hole.



Run the harness branch No.:1 around the roller cage to the wiper motor.  
Connect the harness branch No.:1 with the wiper motor and stretch the washer hose through the bushing.



Run the harness branch No.: 4 from the harness to the UTV's main electrification.

Find the original cable where is 12V+ after you turn on the main UTV's switch.

Connect the harness cables, red to 12V+original electrification and black to UTV's skelet.



If you don't find connection for connectors installed on harness branch, you can use other connectors (included).

**Fill the washer liquide into the washer tank before first usage.**

52

SEE NEXT PAGES

Now you can turn on wiper switch and look on the larger wiper pin.  
If you connect all harness connectors correctly, pin is turning. Find the ends of turning and install the wiper arm on correct position.



Fix the wiper arm with the wiper motor pin by included nut.  
Insert plastic holder onto the wiper latch pin in correct position



View onto the installed plastic holder.



Insert the wiper arm hook onto the wiper latch plastic holder and press it into the correct position.



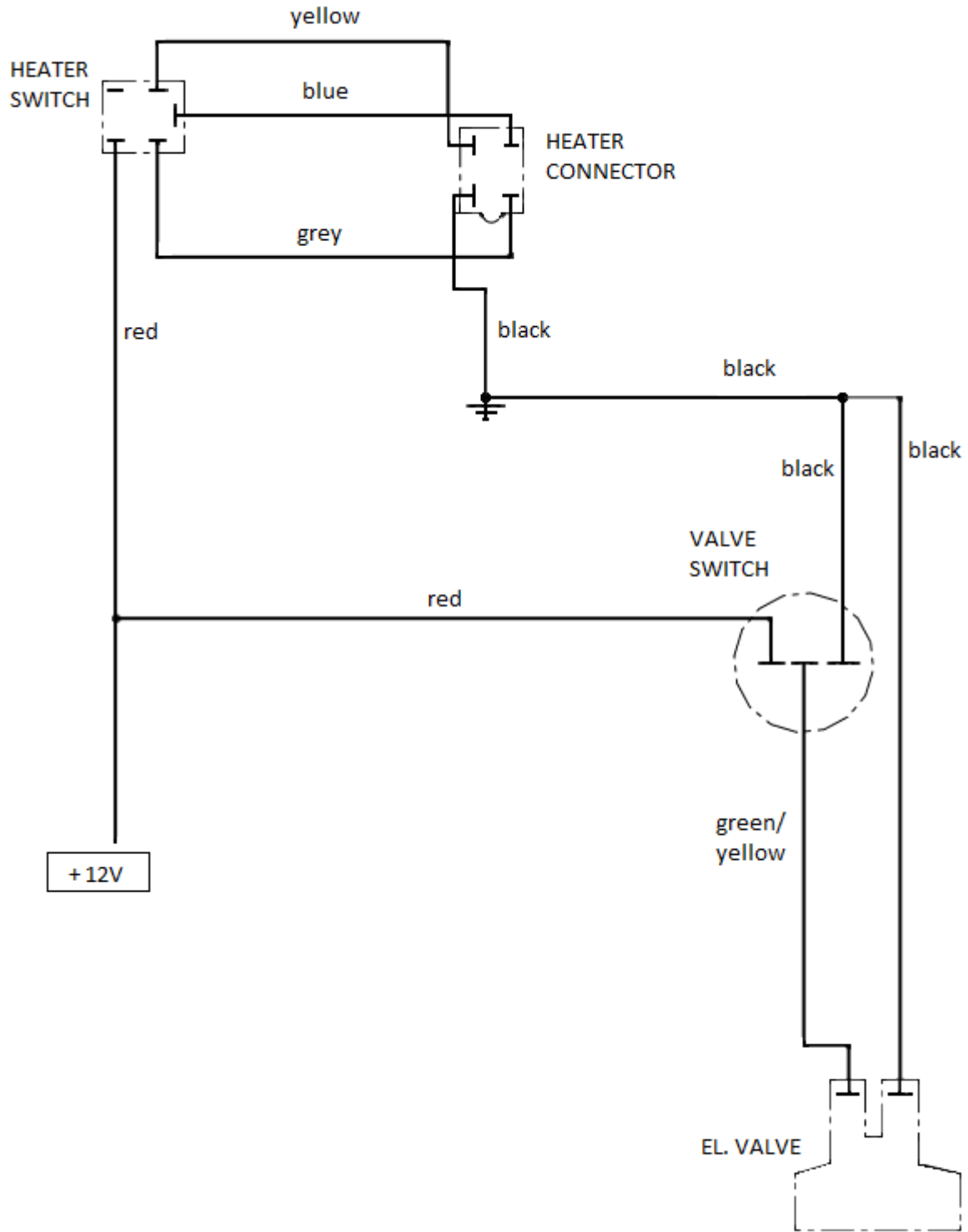
View onto installed wiper arm hook.



Connect the washer hose from the harness with the washer hose from wiper arm by included tube.



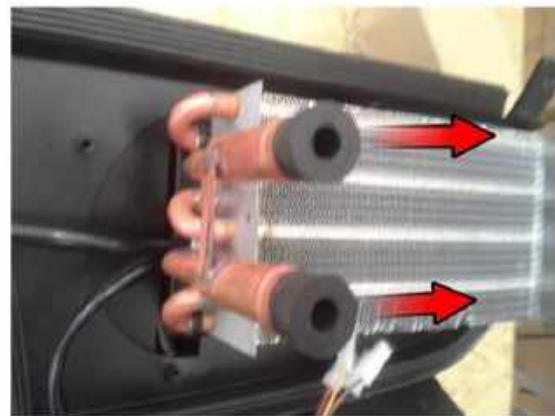
**ELECTROINSTALLATION – HEATER**  
Overall wiring diagram (heater)





**IMPORTANT**

IT IS ABSOLUTELY NECESSARY TO TAKE OUT THE RUBBER PLUGS FROM THE HEATER TUBES!!!



Uninstall the glove box cover and drill necessary holes into the glove box rear wall.



Lead the hot water hoses and the heater harness through.



58

Install the el. valve onto the the one of the hoses and fix by tightening straps.

**Make sure that the el. valve orientation is correct.**

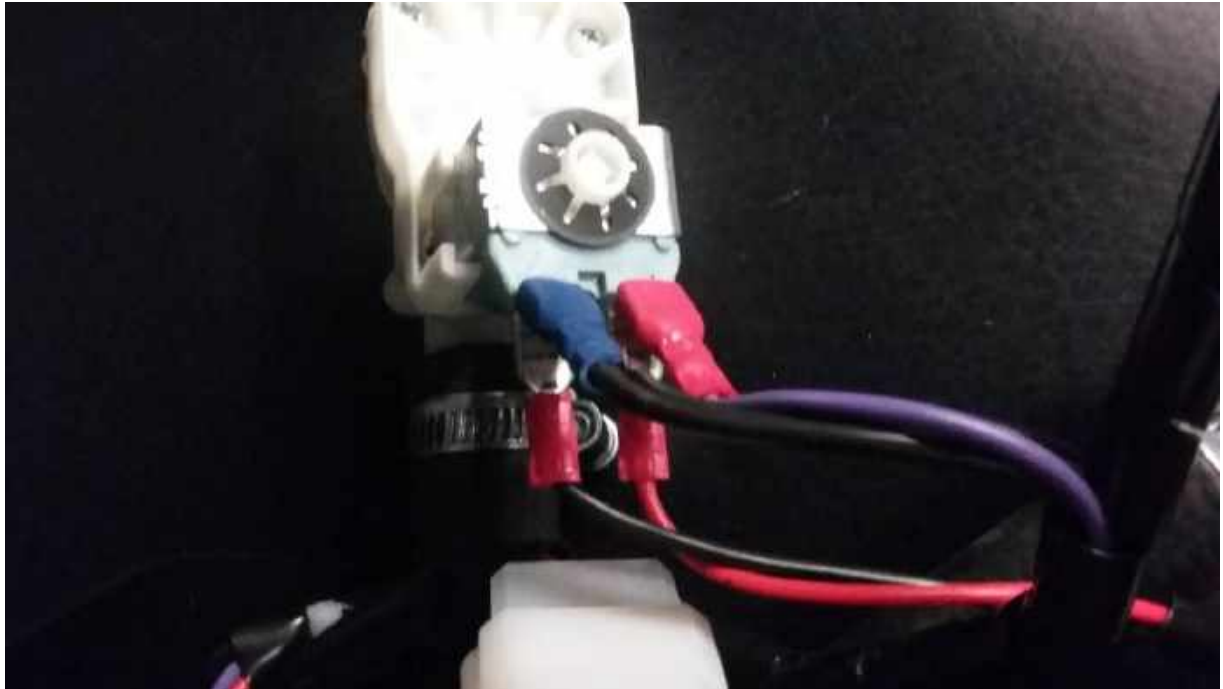
Install the hot water hoses onto the heater and fix by tightening straps.



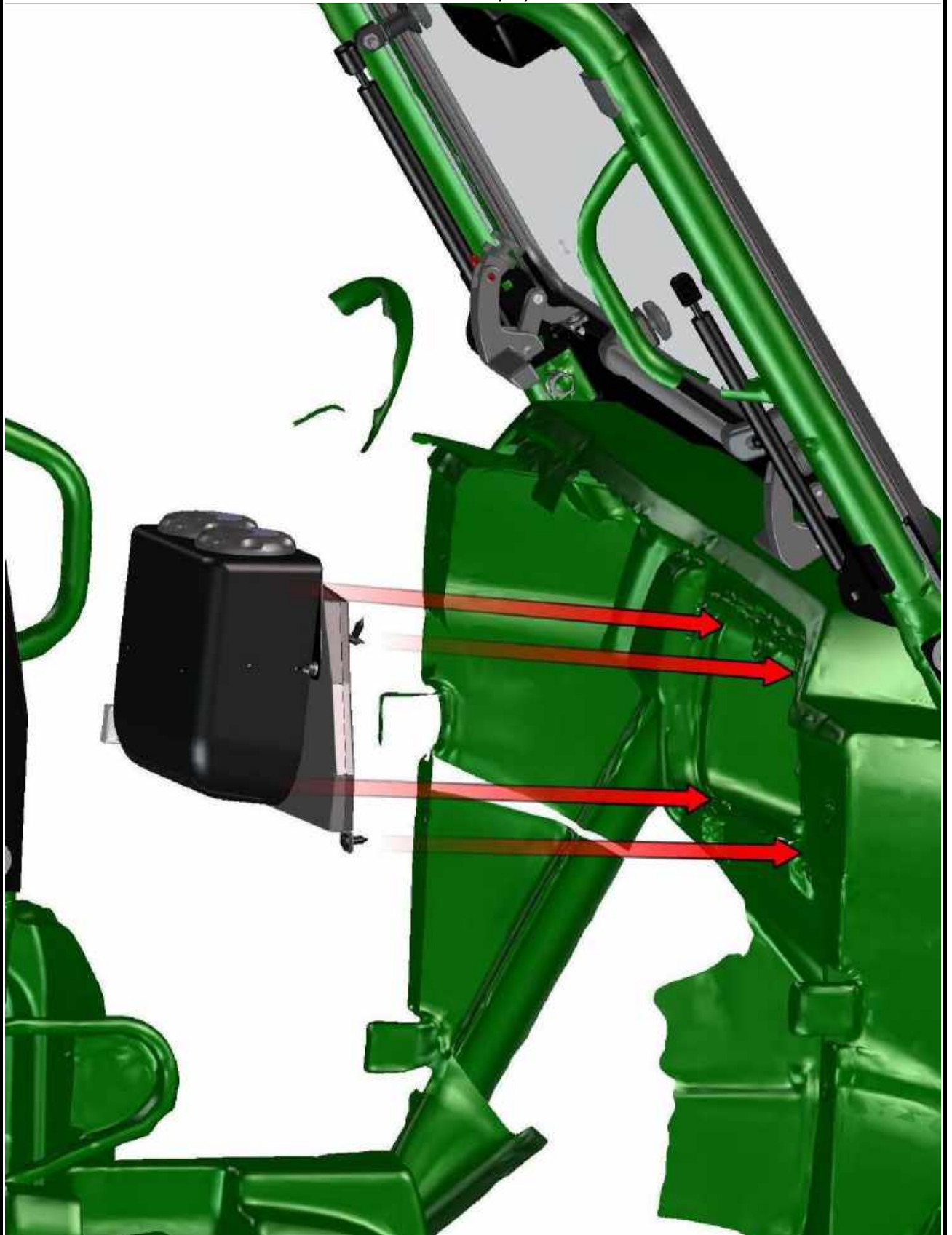
SEE NEXT PAGES

Connect the el. valve and the heater to the heater harness branch.

DETAILED VIEW



Install the heater with the heater holder to best position (heater assembly covers the glove box) and fix these with the UTV's body by correct screws.

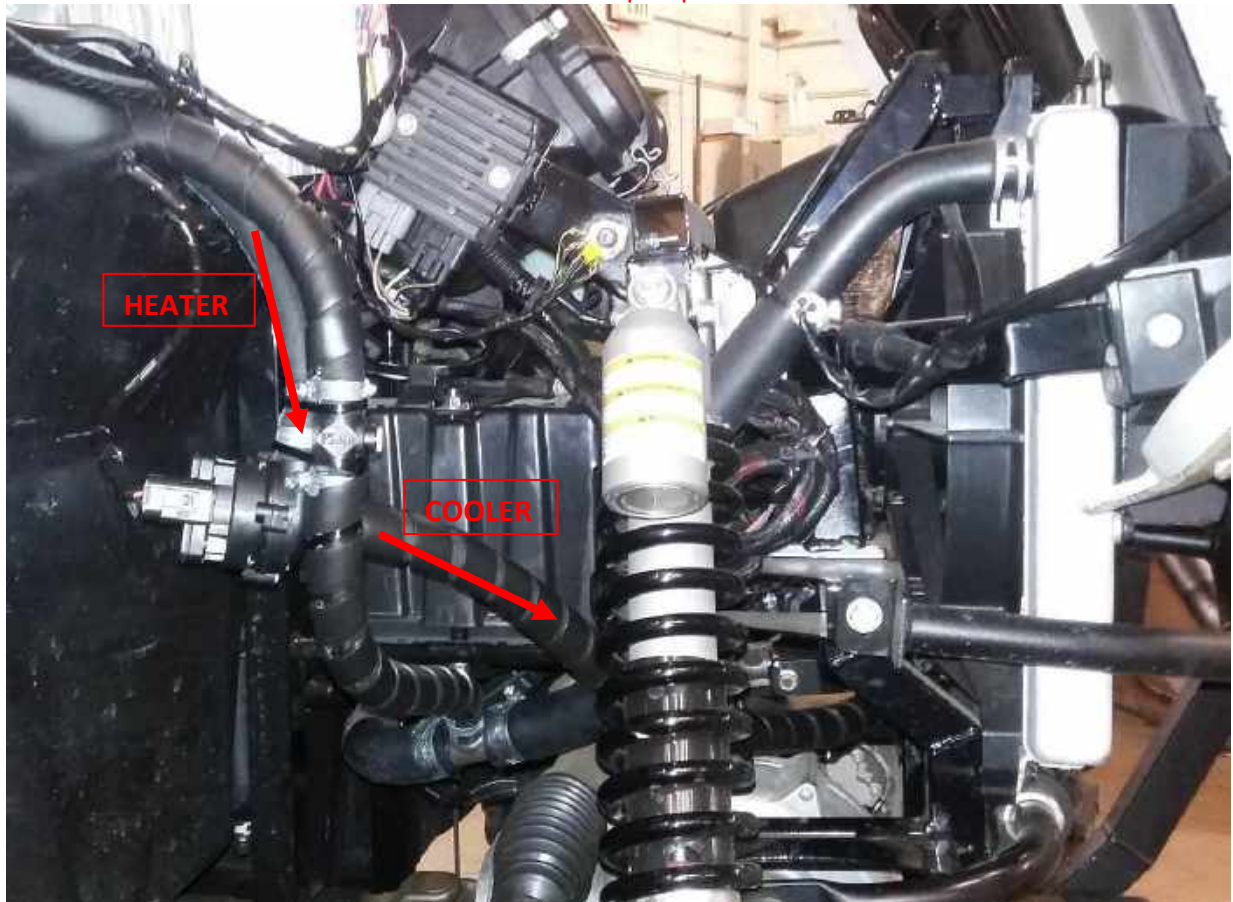


61

Cut the hot water hoses and install the air vent and hot water pump onto the hoses and fix using tightening straps on both sides.

Connect the hot water pump to the pump harness branch.

**Make sure the the hot water pump orientation is correct.**



SEE NEXT PAGES

Connect hot water hoses with the UTV's cooling circuit near the cooler by pair of "Y" coupling (red circles). If you have detailed information about engine cooling circuite and you are sure about correct connection, you can make that.

DETAILED VIEWS  
RIGHT SIDE



LEFT SIDE



Run the harness branch from the harness to the UTV's main electrification.  
Find the original cable where is 12V+ after you turn on the main UTV's switch.  
Connect the harness cables, red to 12V+original electrification and black to UTV's skelet.



If you don't find connection for connectors installed on harness branch, you can use other connectors (included).

**SEE NEXT PAGE**



***It is absolutely necessary to bleed the air out of the UTV's engine cooling system. Incomplete bleeding of cooling system can result in engine damage. If you don't have sufficient experience with this process, we strongly recommend professional service technician assistance. We are not responsible for damages when cooling system bled incompletely. Please note that additional heater system will absorb more than 2 liters of coolant fluid.***

***1. Important: After the heater system installed check the system for leaks.***

***Turn on the electric vent switch and confirm that the engine is cold.***

***Start the engine, open bleeding valve and wait until engine warms up.***

***Important: Always check engine temperature – if it overheats turn off engine.***

***2. To achieve engine operating temperature depress the accelerator to increase the engine RPM. This will increase the pressure and flow of the water pump forcing more coolant through the heater. After operating temperature reaches turn off engine and open it. Trapped air should come out from heater system throughout bleeding valve. Repeat this procedure until heater/cooling system is completely bled out.***

***The DFK Cab heater, like the heater in a car, generates heat from the vehicle's engine.***

***In nearly all cases, the heater should generate enough heat from your UTV, side by side, or tractor engine that you may need to turn the heater off periodically otherwise the air in the cabin may be too hot.***

***It is important to check the coolant level regularly at least 4-5 times during the first several days of operation and fill as necessary until the coolant level has stabilized.***

***The heater will draw and retain coolant, sometimes at the expense of coolant to the engine. This can cause engine overheating if not managed properly.***