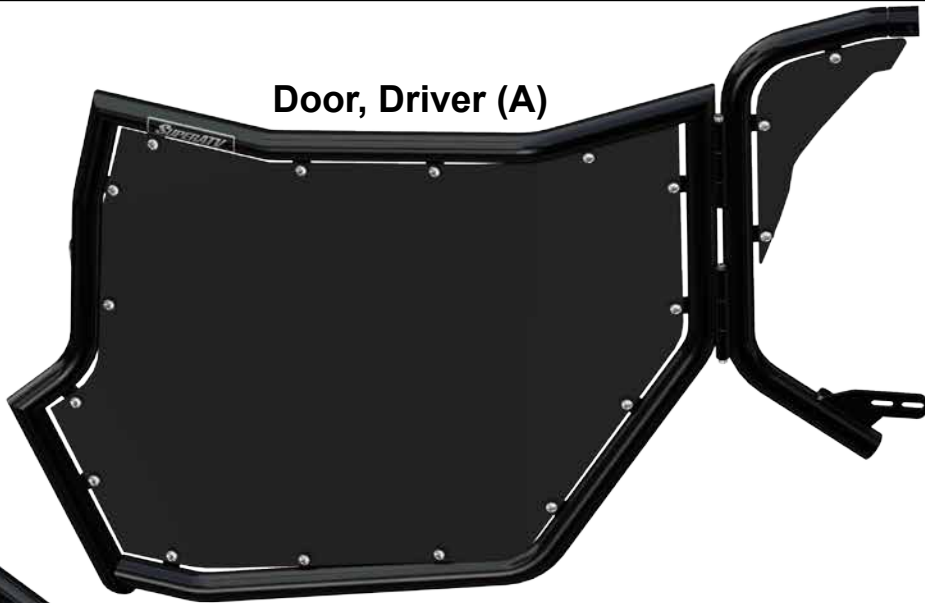


**Door, Driver (A)**



**Door, Passenger (B)**

*(kit contents continue on following page)*

**Read instructions and view illustrations before beginning.**

**Need help with your installation?**

 [sales@superatv.com](mailto:sales@superatv.com)
 [www.superatv.com](http://www.superatv.com)

 1-812-574-7777
  8:00am - 9:00pm EST M-Th  
8:00am - 7:00pm EST Friday  
9:00am - 2:00pm EST Saturday

*Thank You  
For Choosing*



**Liability Statement**  
SuperATV's® products are designed to best fit user's ATV/UTV under stock conditions. Adding, modifying, or fabricating any factory or aftermarket parts will void any warranty provided by SuperATV® and is not recommended. SuperATV's® products could interfere with other aftermarket accessories. If user has aftermarket products on machine, contact SuperATV® to verify that they will work together.

Although SuperATV® has thousands of satisfied customers, user should be aware that installing lift kits, long travel, or suspension kits, tires, etc. will change the ride of machine and may increase maintenance and part wear. Operating any off-road machine while, or after, consuming alcohol and/or drugs increases risk of bodily harm or death. No warranty or representation is made as to this product's ability to protect user from severe injury or death. SuperATV® urges operators and occupants to wear a helmet and appropriate riding gear at all times.

By purchasing and installing SuperATV® products, user agrees that should damages occur, SuperATV® will not be held responsible for loss of time, use, labor fees, replacement parts, or freight charges. SuperATV®, nor any 3rd party, will not be held responsible for any direct, indirect, incidental, special, or consequential damages that result from any product purchased from SuperATV®. The total liability of seller to user for all damages, losses, and causes of action, if any, shall not exceed the total purchase price paid for the product that gave rise to the claim.

SuperATV® will warranty only parts provided by SuperATV®. Any damage or problems with OEM housings, bearings, seals, or other manufacturers' products will not be covered by SuperATV®. SuperATV® parts and products are not warranted if item was not installed properly, misused, or modified.

*(kit contents continued)*

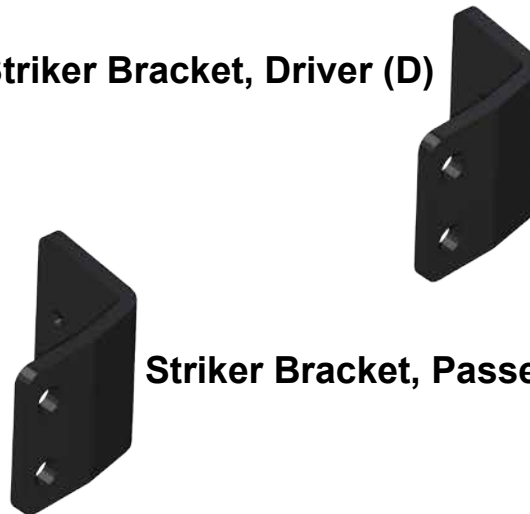
**Striker Mount, Passenger (E)**



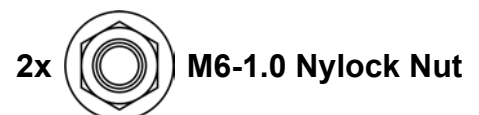
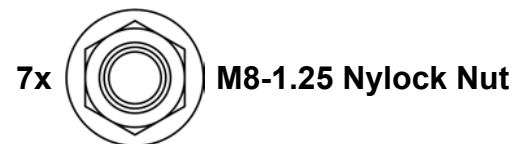
**Striker Mount, Driver (C)**



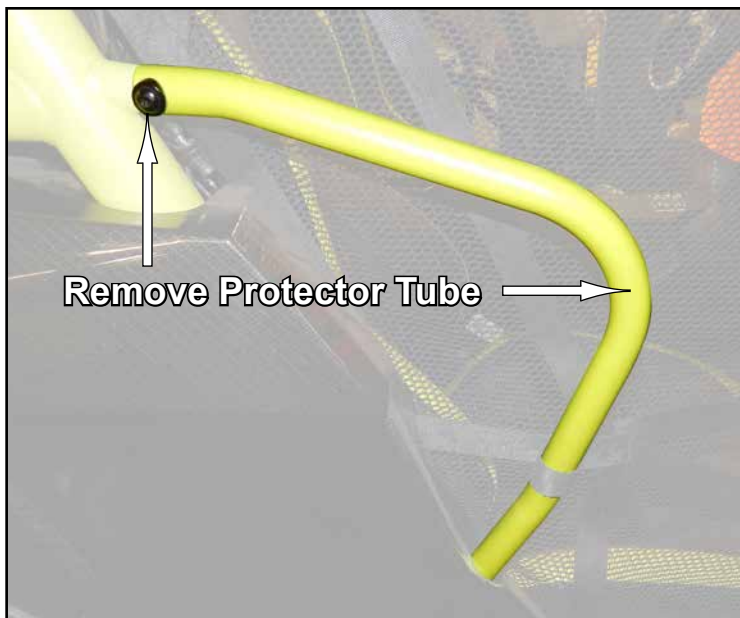
**Striker Bracket, Driver (D)**



**Striker Bracket, Passenger (F)**

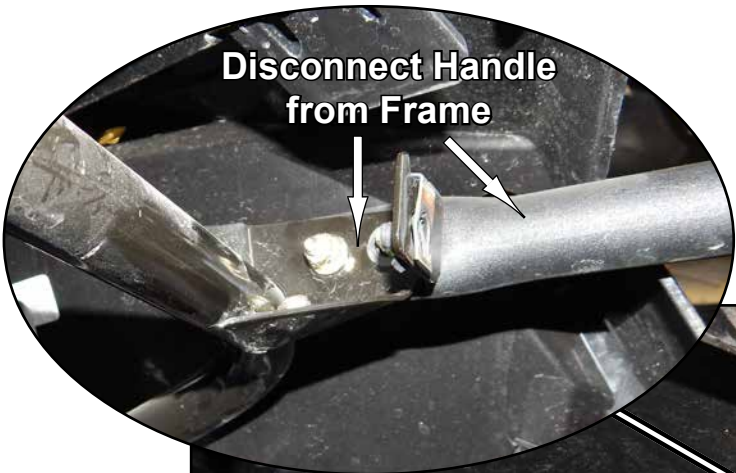


**Passenger Side Removal:** keep all components removed from machine.



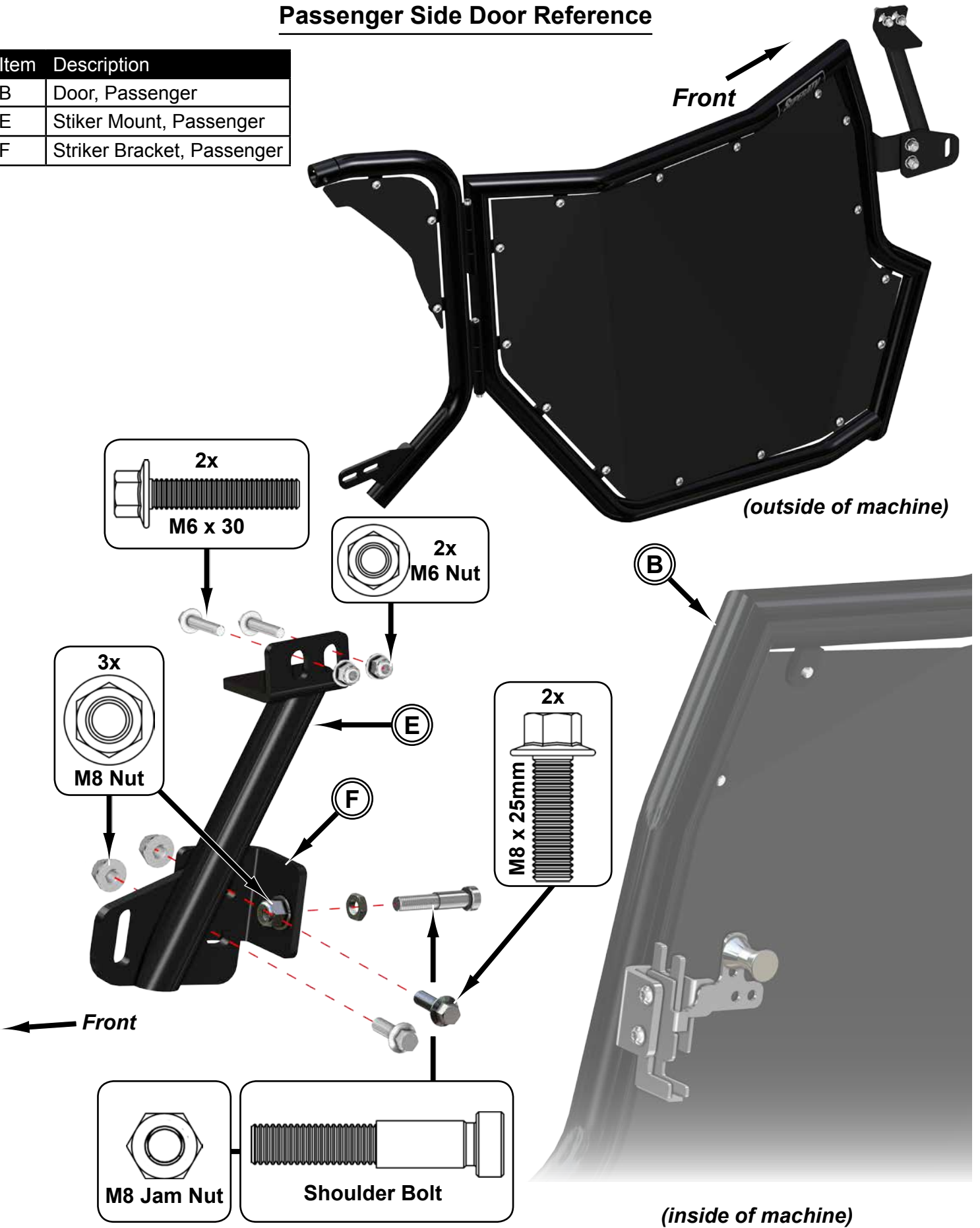


**Passenger Side Removal continued:**



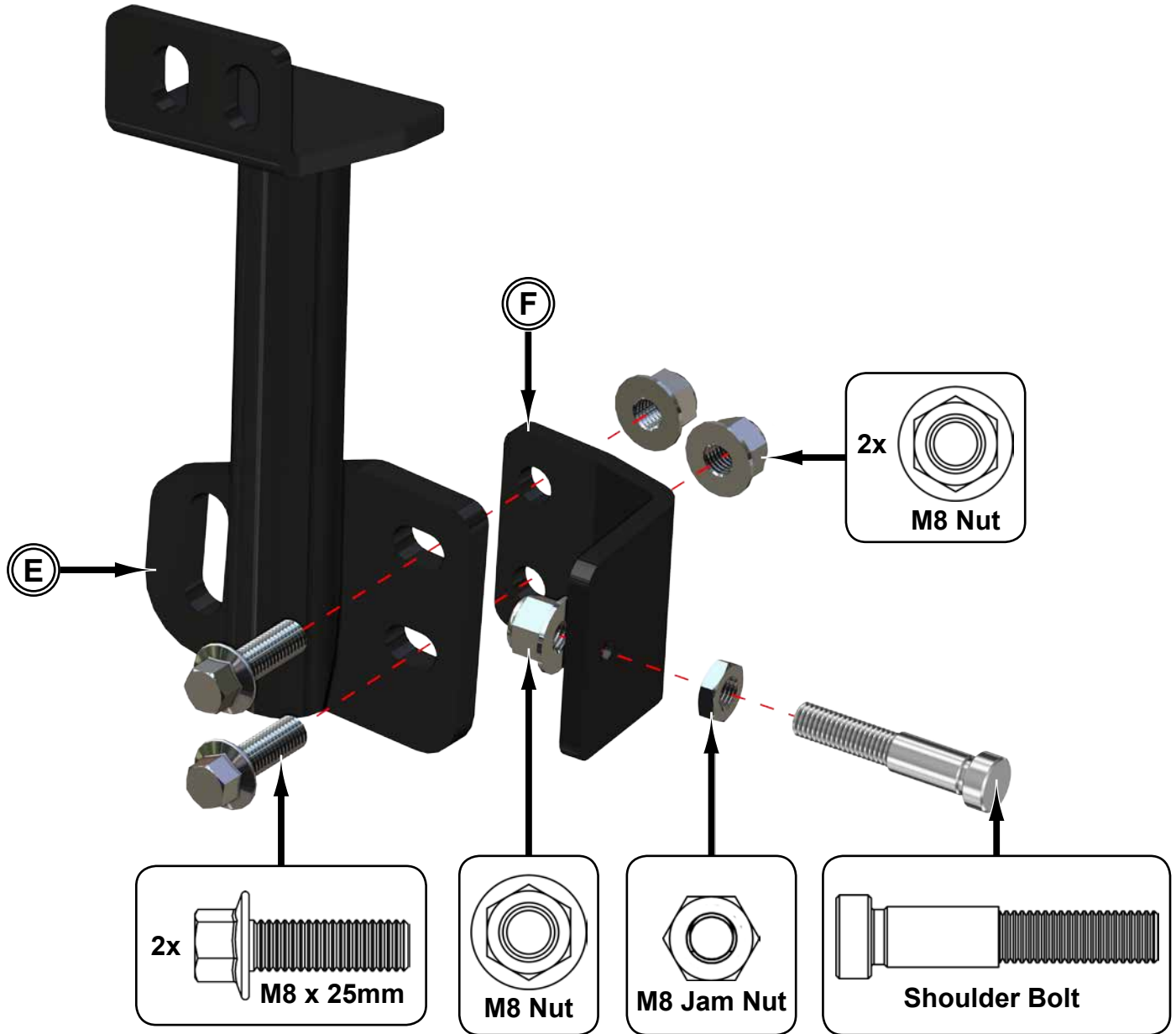
## Passenger Side Door Reference

Item	Description
B	Door, Passenger
E	Stiker Mount, Passenger
F	Striker Bracket, Passenger



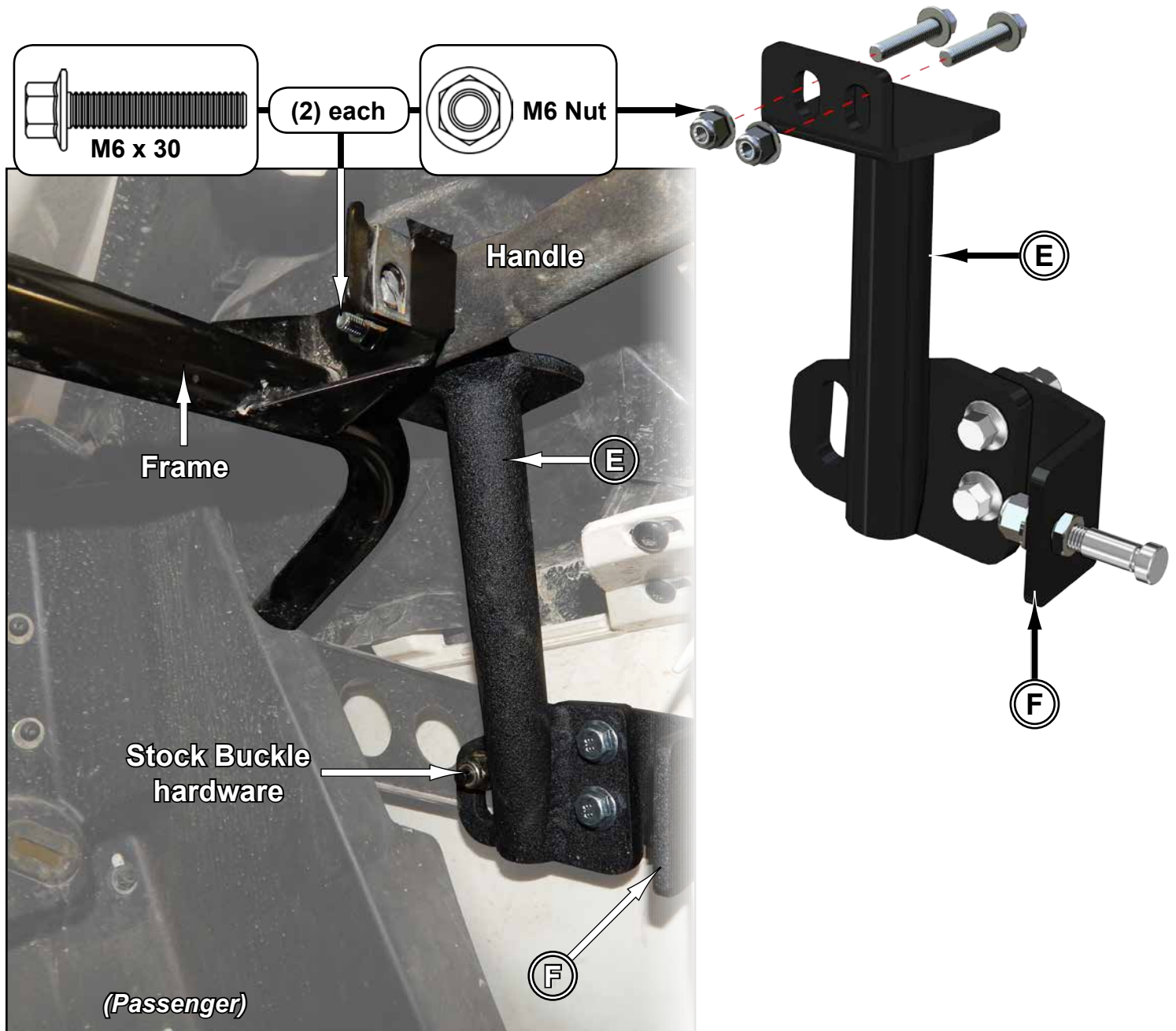
**Passenger Door Installation:** do not tighten hardware completely unless noted.

- Assemble Striker Mount, Passenger (E) and Striker Bracket, Passenger (F) together with hardware shown.
- Install Shoulder Bolt and Sealing Washer to Striker Bracket, Passenger (F).



## Passenger Door Installation continued:

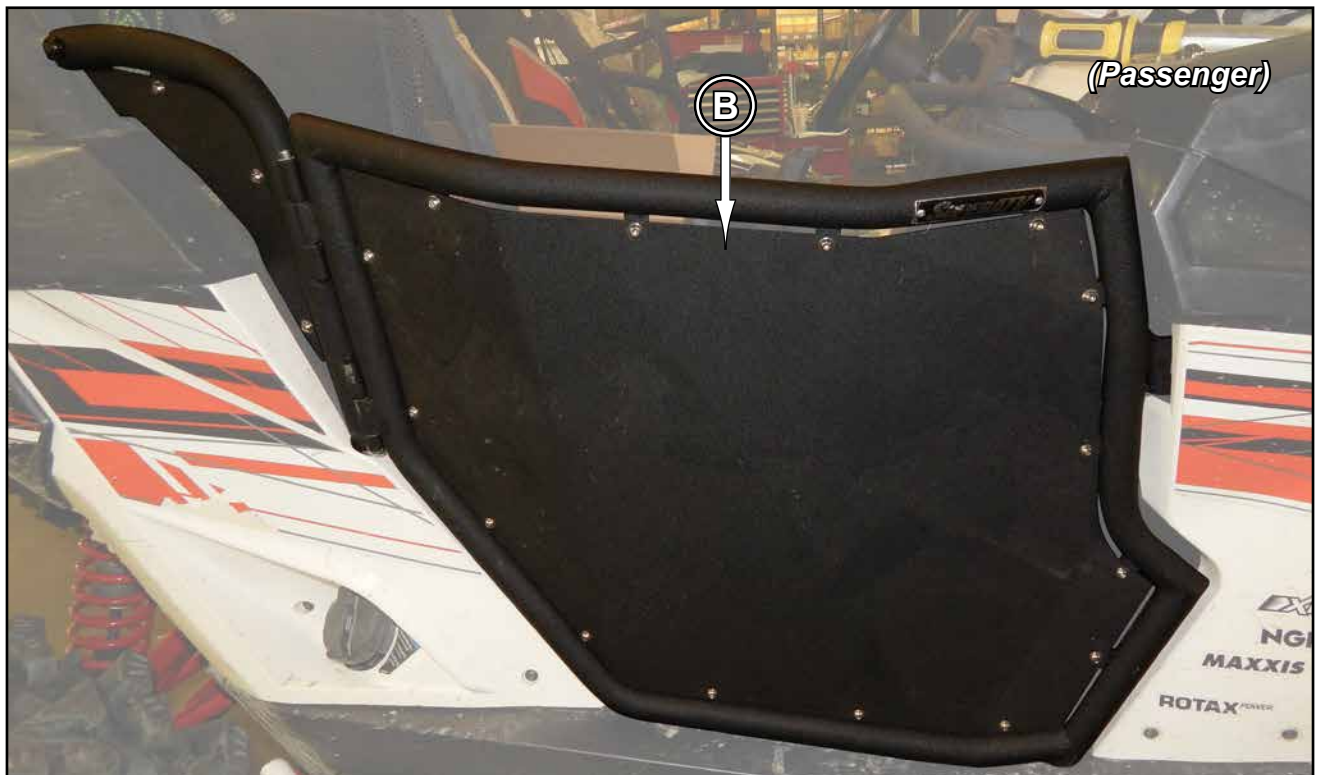
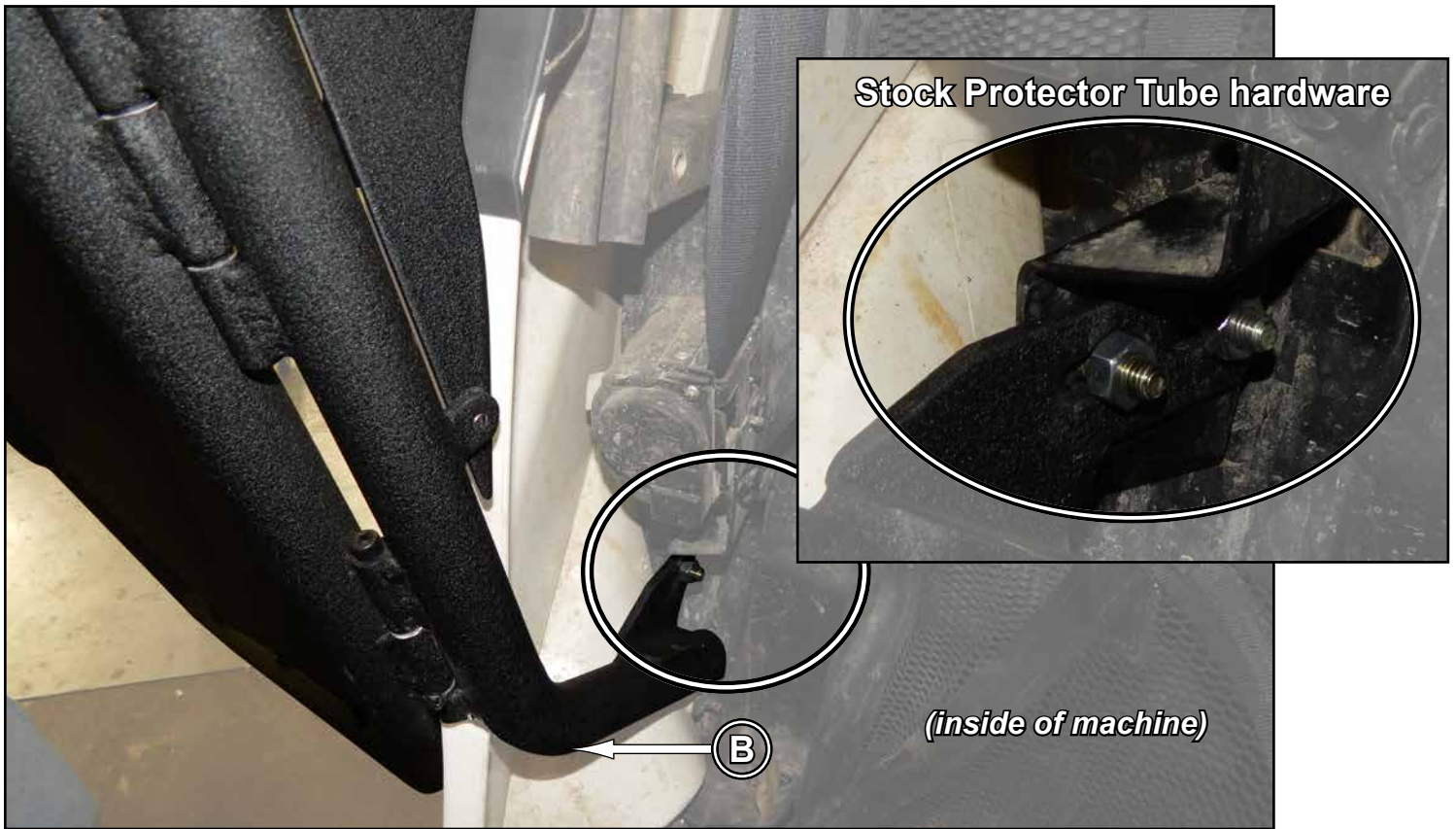
- Secure Striker Mount, Passenger (E) to Handle and Frame with hardware shown.
- Secure Striker Bracket, Passenger (F) to Buckle stud with stock nut.





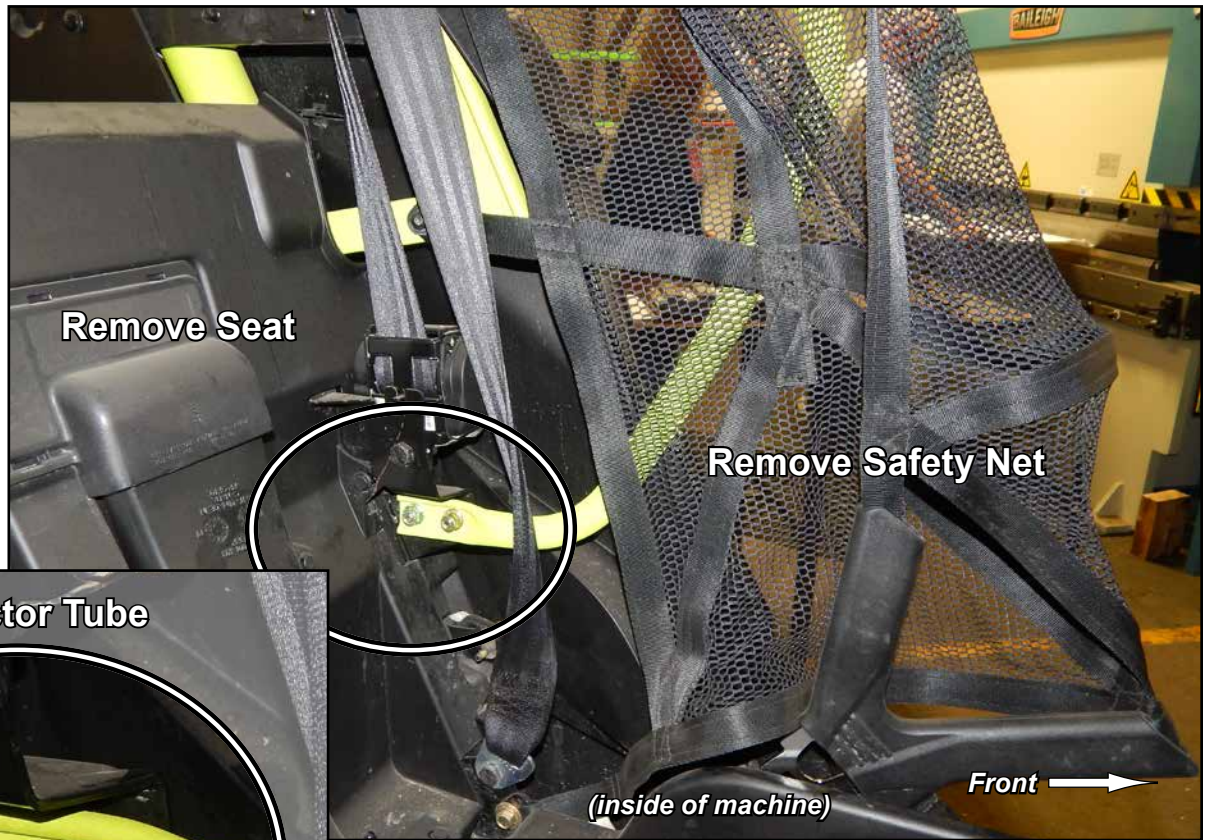
## Passenger Door Installation continued:

- Secure Door, Passenger (B) to machine, where Protector Tube was located, with stock hardware.
- Close Door, Passenger (B) completely so that Latch engages.
- Align to machine and tighten all hardware completely.





**Driver Side Removal:** keep all components removed from machine.



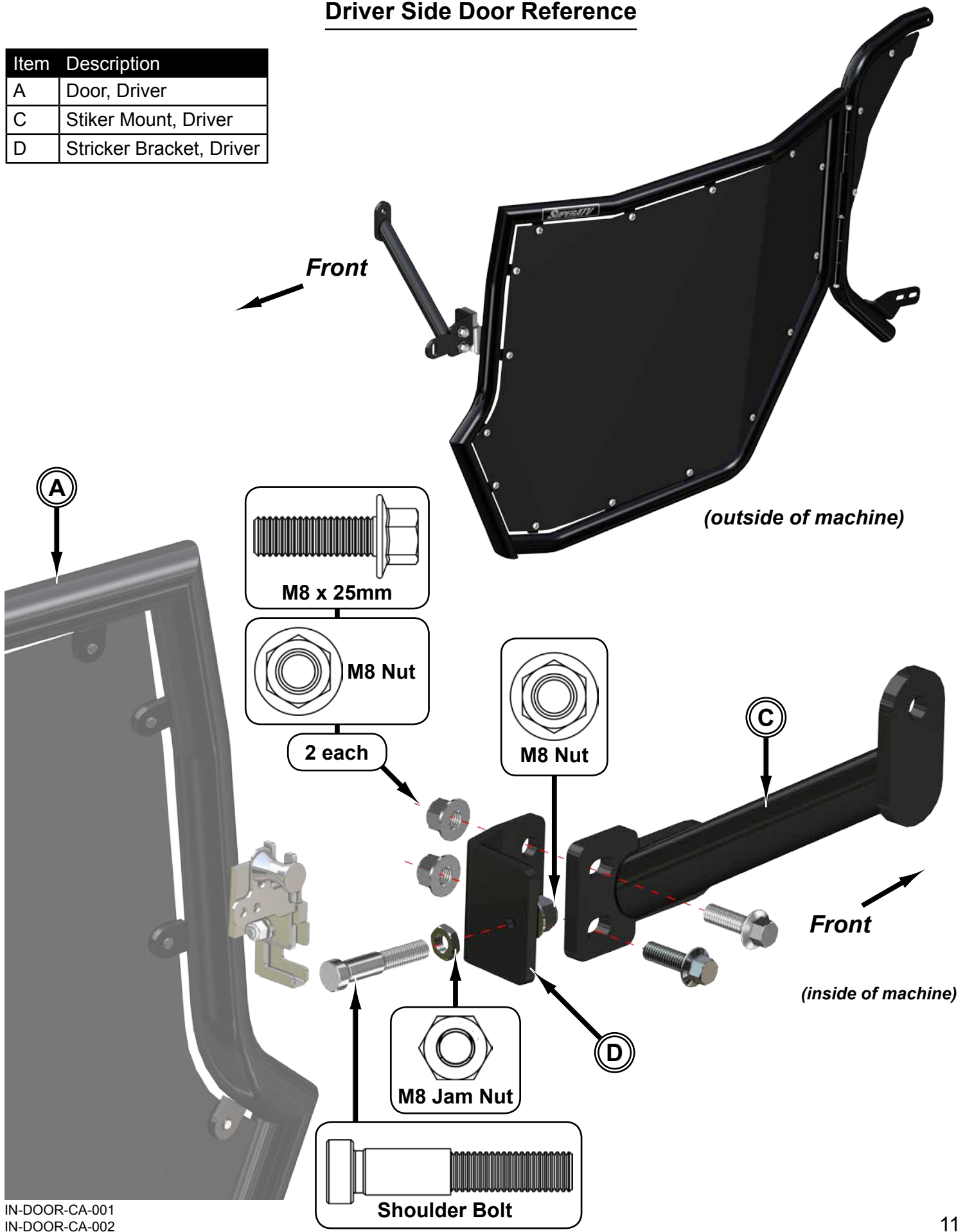
**Driver Side Removal continued:**





## Driver Side Door Reference

Item	Description
A	Door, Driver
C	Stiker Mount, Driver
D	Stricker Bracket, Driver

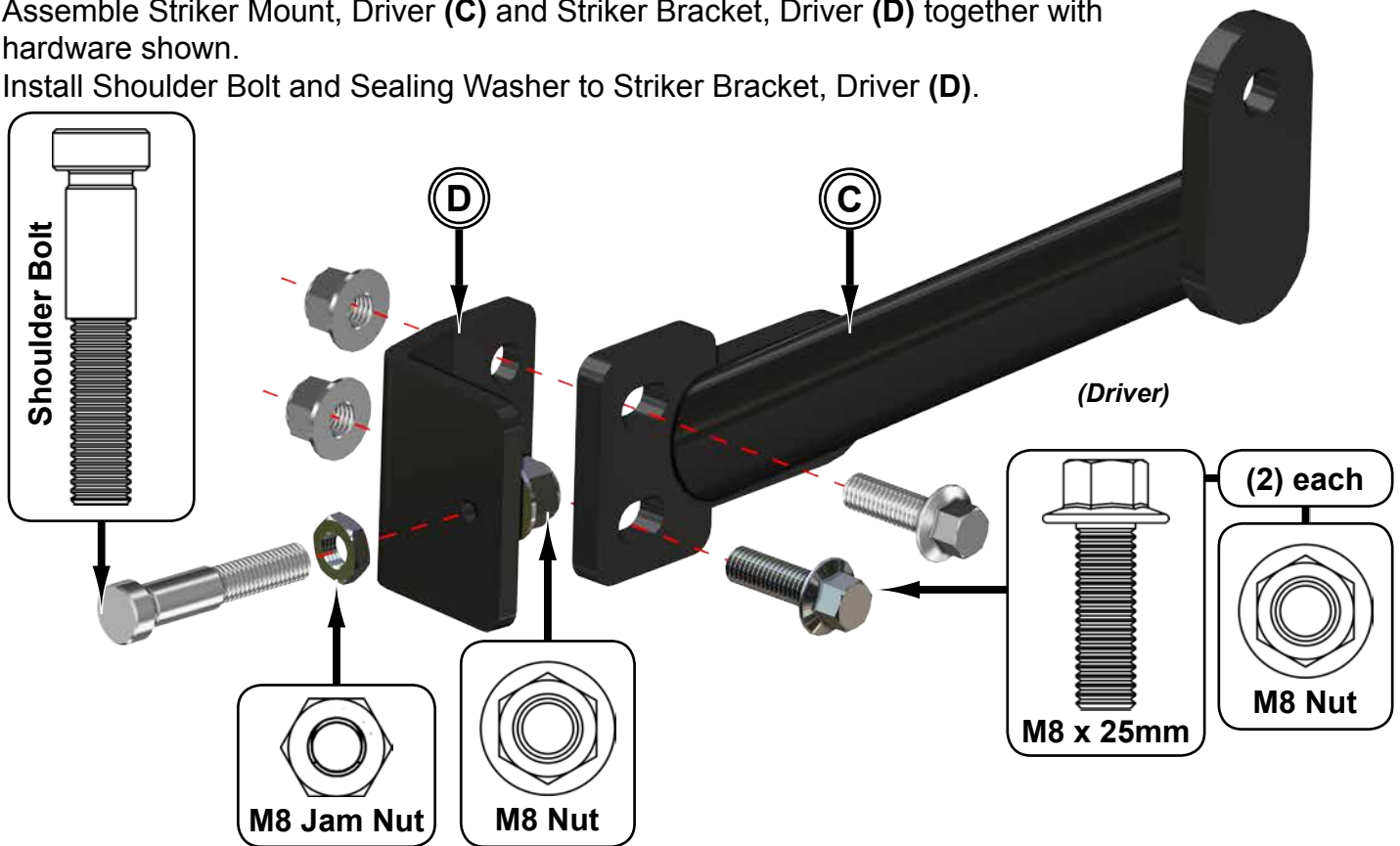


IN-DOOR-CA-001  
IN-DOOR-CA-002

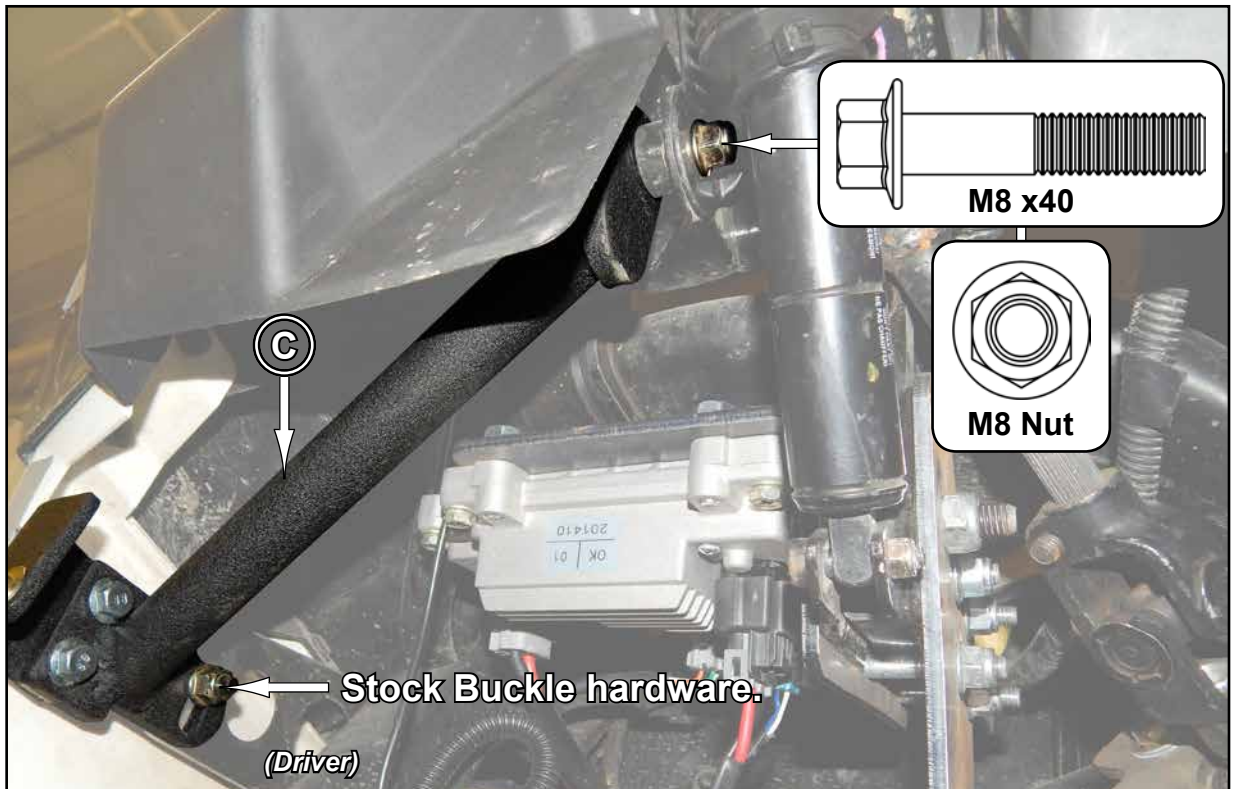


**Driver Door Installation:** do not tighten hardware completely unless noted.

- Assemble Striker Mount, Driver (C) and Striker Bracket, Driver (D) together with hardware shown.
- Install Shoulder Bolt and Sealing Washer to Striker Bracket, Driver (D).

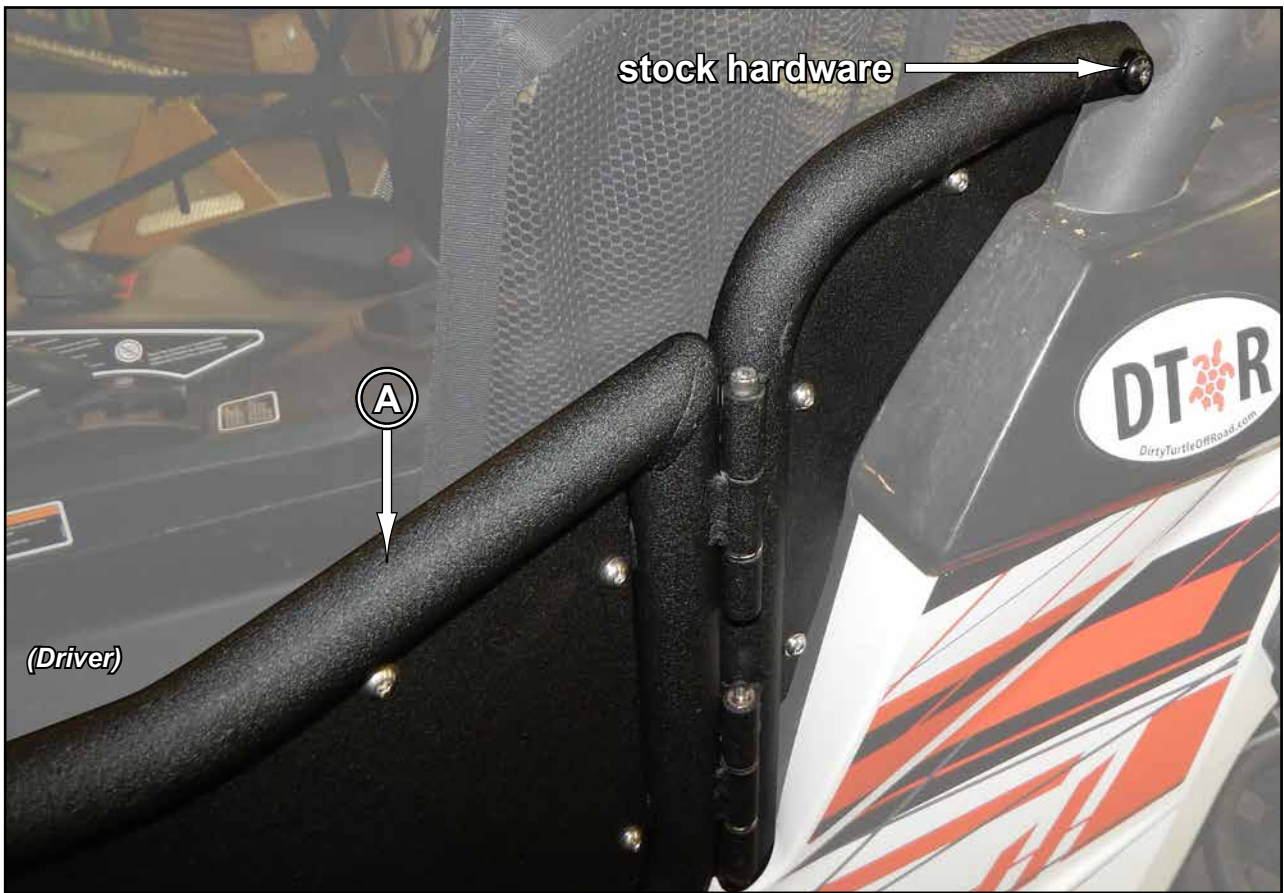


- Secure Striker Mount, Driver (C) to Steering Wheel Support with hardware shown.
- Secure Striker Bracket, Driver (D) to Buckle stud with stock nut.



**Driver Door Installation continued:** do not tighten hardware completely unless noted.

- Secure Door, Driver (A) to machine, where Protector Tube was located, with stock hardware.
- Close Door, Driver (A) completely so that Latch engages.
- Align to machine and tighten all hardware completely.



*Due to manufacturer changes, slight interference between stock plastic and provided Shoulder Bolt may occur.*

