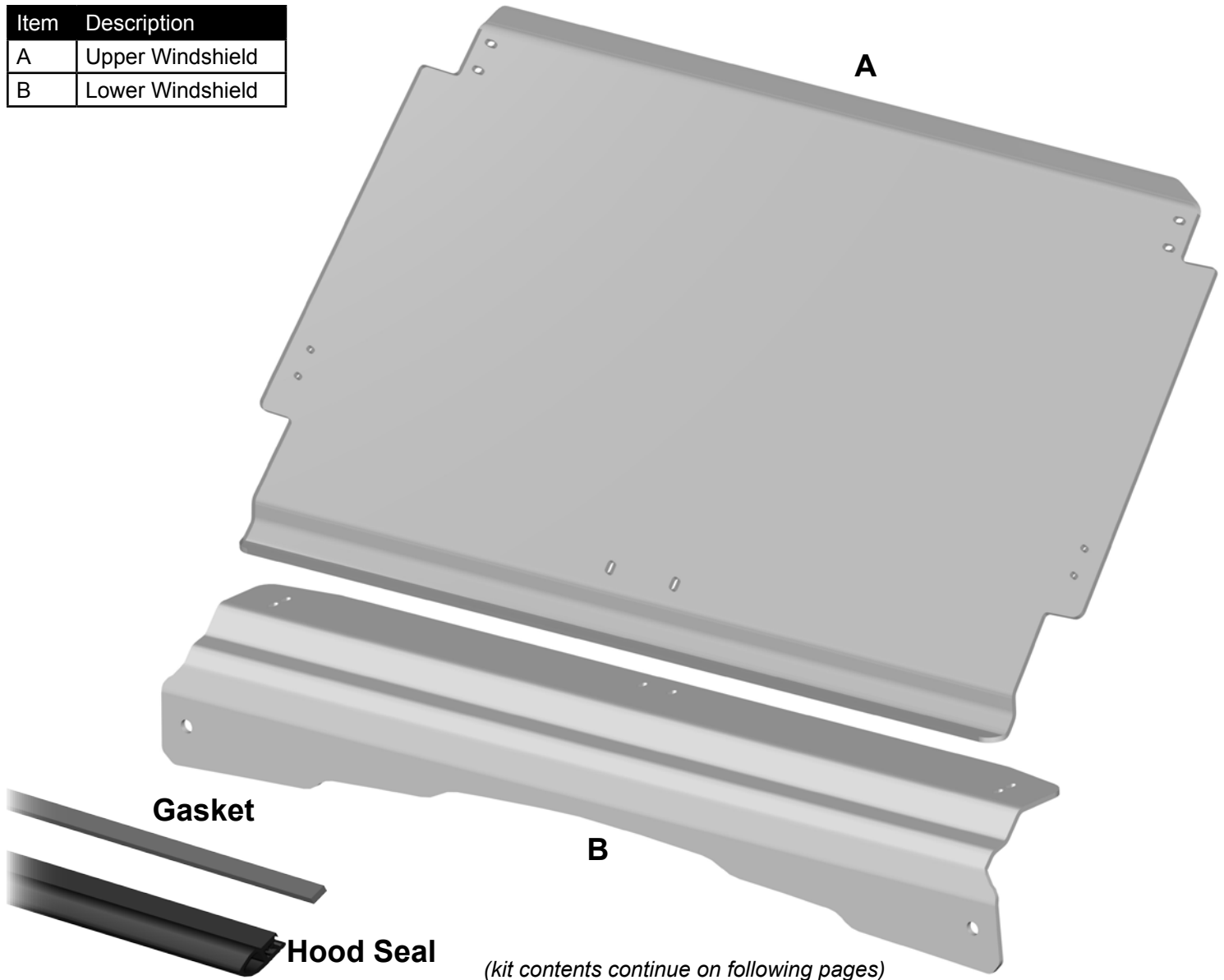


INSTALLATION INSTRUCTIONS

Flip Windshield for Honda Pioneer™ 500

Item	Description
A	Upper Windshield
B	Lower Windshield



(kit contents continue on following pages)

Read instructions and view illustrations before beginning.

Need help with your installation?



sales@superatv.com



www.superatv.com



1-812-574-7777



8:00am - 9:00pm EST M-Th
8:00am - 7:00pm EST Friday
9:00am - 2:00pm EST Saturday

*Thank You
For Choosing*

Liability Statement

SuperATV's® products are designed to best fit user's ATV/UTV under stock conditions. Adding, modifying, or fabricating any factory or aftermarket parts will void any warranty provided by SuperATV® and is not recommended. SuperATV's® products could interfere with other aftermarket accessories. If user has aftermarket products on machine, contact SuperATV® to verify that they will work together.

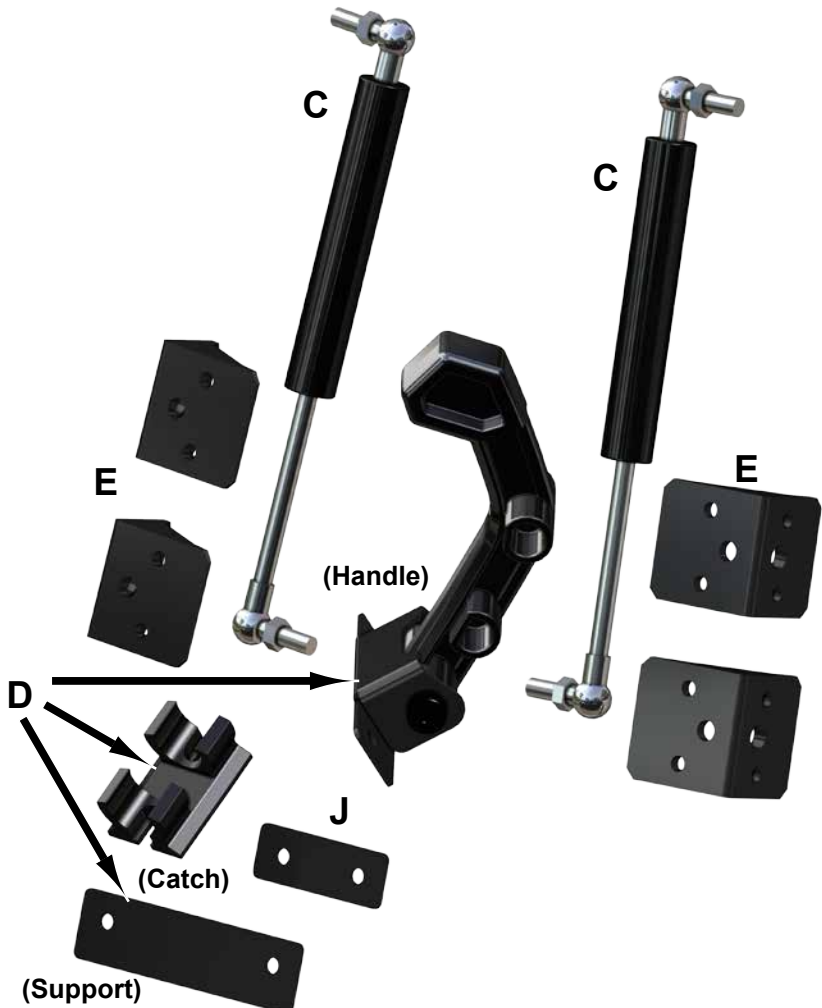
Although SuperATV® has thousands of satisfied customers, user should be aware that installing lift kits, long travel, or suspension kits, tires, etc. will change the ride of machine and may increase maintenance and part wear. Operating any off-road machine while, or after, consuming alcohol and/or drugs increases risk of bodily harm or death. No warranty or representation is made as to this product's ability to protect user from severe injury or death. SuperATV® urges operators and occupants to wear a helmet and appropriate riding gear at all times.

By purchasing and installing SuperATV® products, user agrees that should damages occur, SuperATV® will not be held responsible for loss of time, use, labor fees, replacement parts, or freight charges. SuperATV®, nor any 3rd party, will not be held responsible for any direct, indirect, incidental, special, or consequential damages that result from any product purchased from SuperATV®. The total liability of seller to user for all damages, losses, and causes of action, if any, shall not exceed the total purchase price paid for the product that gave rise to the claim.

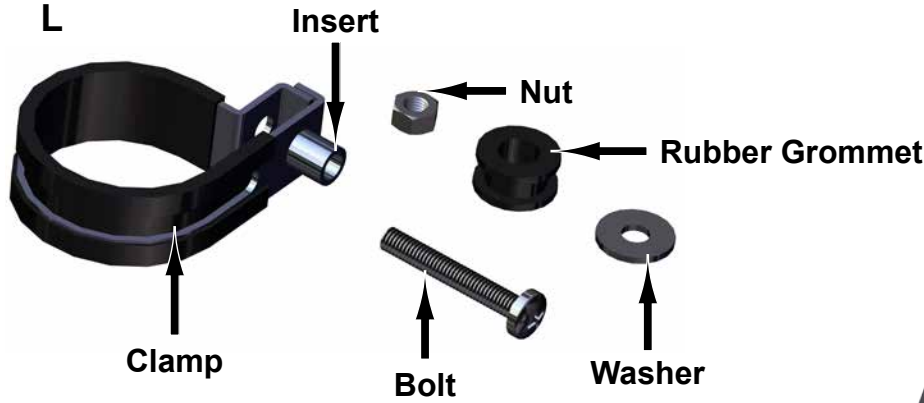
SuperATV® will warranty only parts provided by SuperATV®. Any damage or problems with OEM housings, bearings, seals, or other manufacturers' products will not be covered by SuperATV®. SuperATV® parts and products are not warranted if item was not installed properly, misused, or modified.

Item	Description	Qty	Item	Description	Qty
C	Gas Strut	2	H	Passenger Support	1
D	Latch Assembly	1	J	Latch Support	1
E	Pivot Block	4	K	Support	2
F	Clamp	6	L	Lower Clamp	2
G	Driver Support	1			

(kit contents continued)



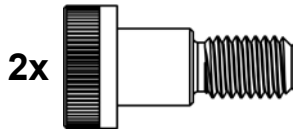
Clamps (F) are pre-assembled. Separate and set aside.



disassemble Lower Clamp (L)



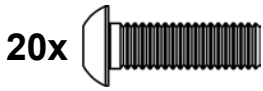
(kit contents continued)



2x M8-1.25 Shoulder Bolt



8x M6-1.0 Jam Nut



20x M6-1.0 x 20mm Lg. BHCS



8x M6-1.0 Nylock Nut



4x M8-1.25 Nylock Nut



16x M6 Washer

Windshield Cleaning:

- Do not use a dry cloth, or your hands, to wipe off Windshield; Scratching will occur.
 - Do not use window cleaning fluids (Windex, 409, etc) or any solvents (gasoline, denatured alcohol, acetone, etc).
 - Never use abrasive cleaners, abrasive pads, or gritty cloths.
1. Thoroughly rinse Windshield to float off dirt and mud.
 2. Using a soft cloth, or microfiber cloth, clean Windshield with warm water and a gentle detergent. Baby shampoo or hand washing soap are recommended.
 3. To prevent water spots, use a chamois and blot Windshield dry.

When assembling and installing, do not tighten hardware completely unless noted.

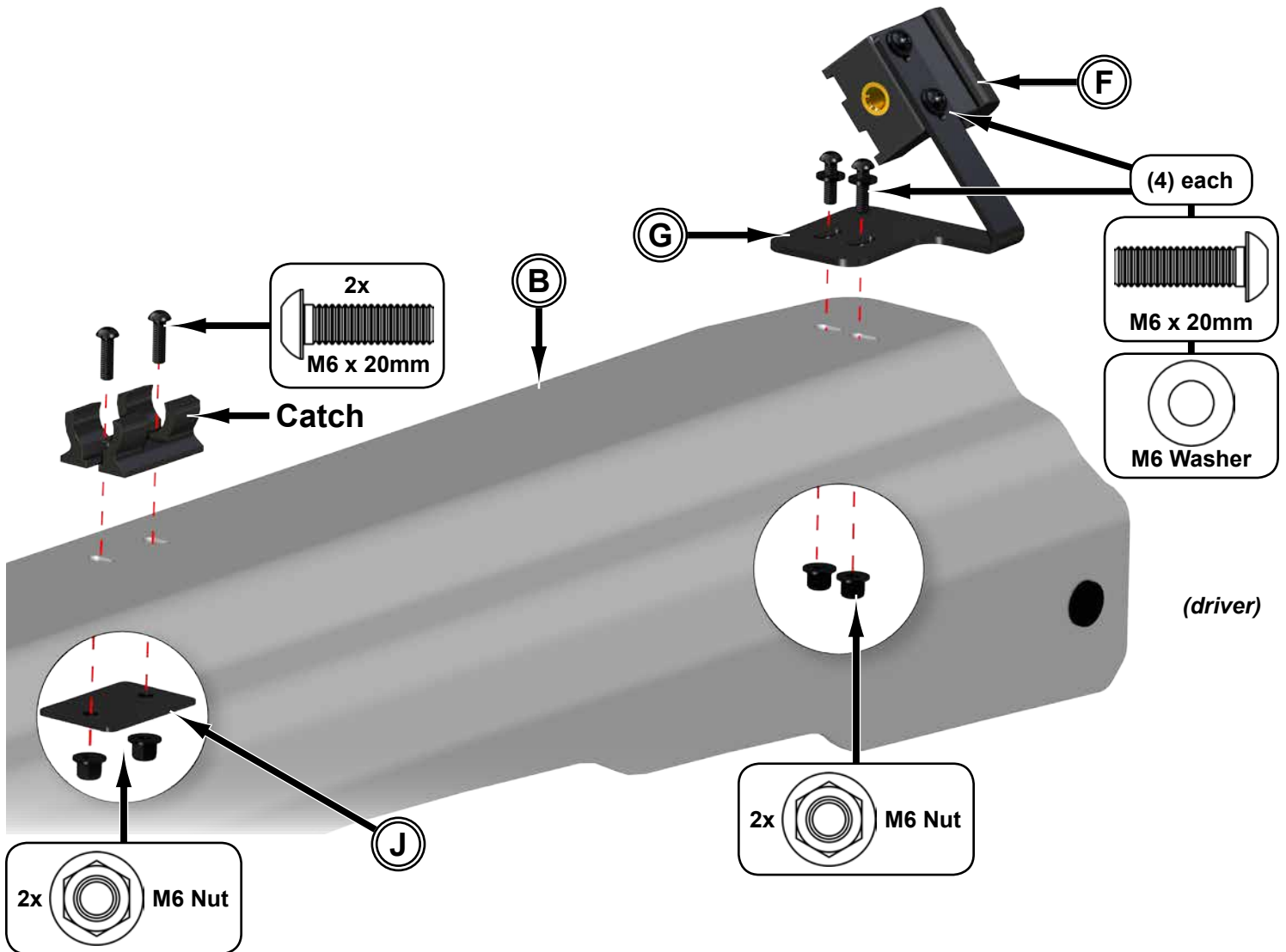
Lower Windshield (B)

- Insert Rubber Grommets into Lower Windshield (B).
Tip; apply soapy water to Rubber Grommets.
- Install Inserts into Rubber Grommets.
- Install Hood Seal to bottom of Windshield.



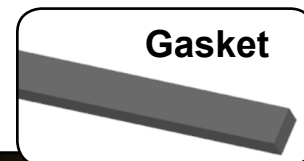
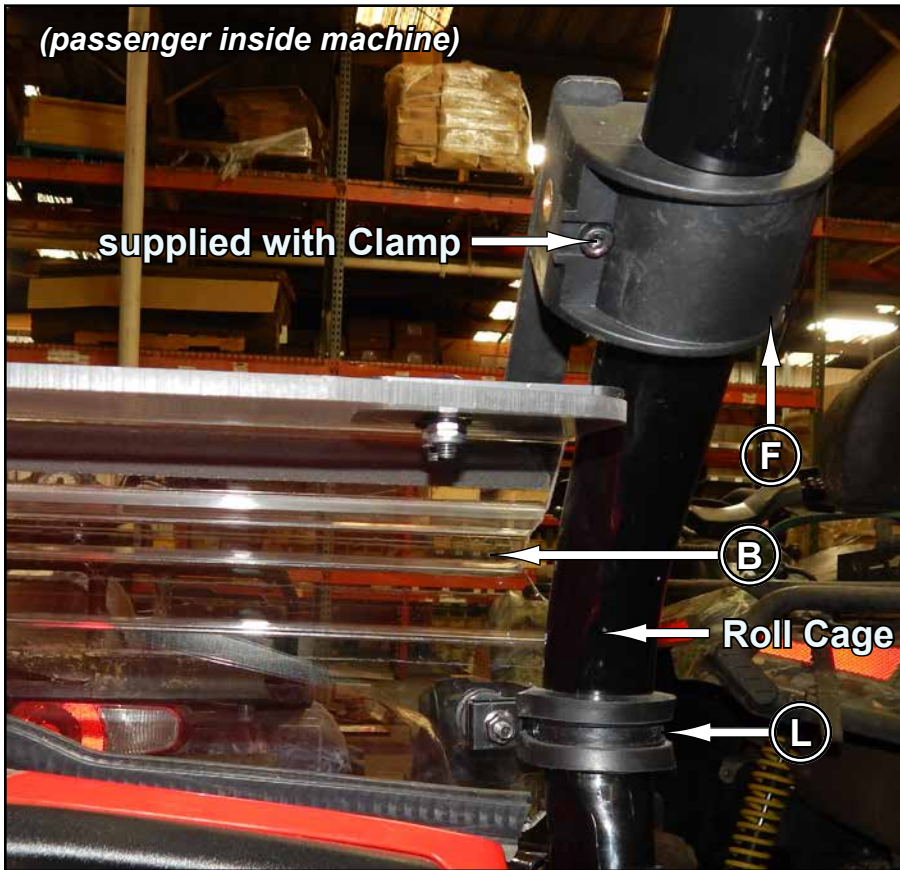
Lower Windshield (B) continued

- Install Catch, part of Latch Assembly (D), to Lower Windshield (B); place Latch Support (J) on bottom section of Lower Windshield (B) and secure with hardware shown.
- Install Clamp (F) to Driver Support (G) with hardware shown; secure assembly to Lower Windshield (B) with hardware shown.
- Repeat for opposite side.



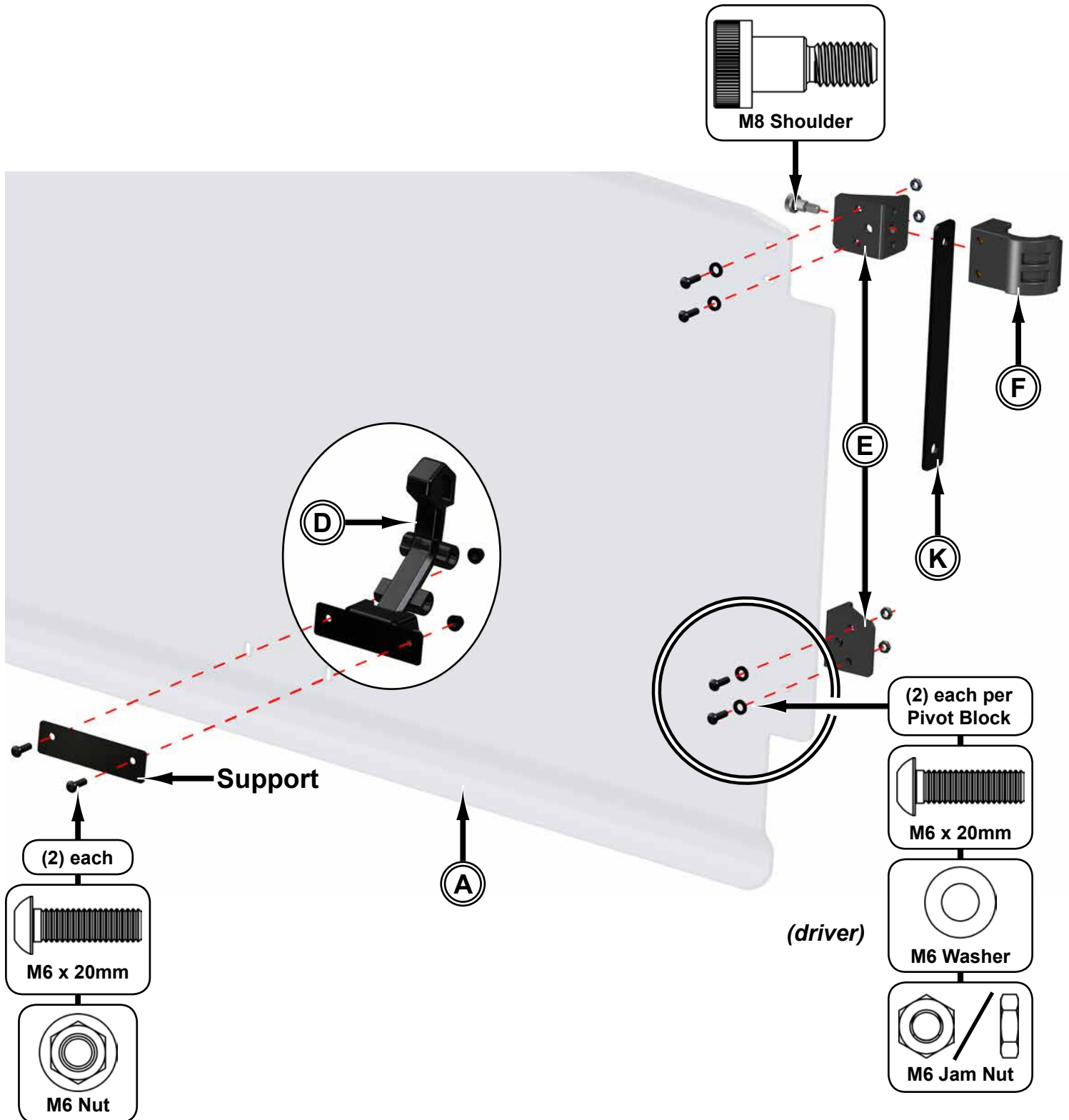
Lower Windshield (B) continued

- Install (2) Lower Clamps (L) to machines Roll Cage.
- Install Lower Windshield assembly to machine; Use hardware provided with Lower Clamp (L) and Clamp (F) to secure.
- Install provided Gasket to Lower Windshield (B).
- Hood Seal to be in contact with Hood.



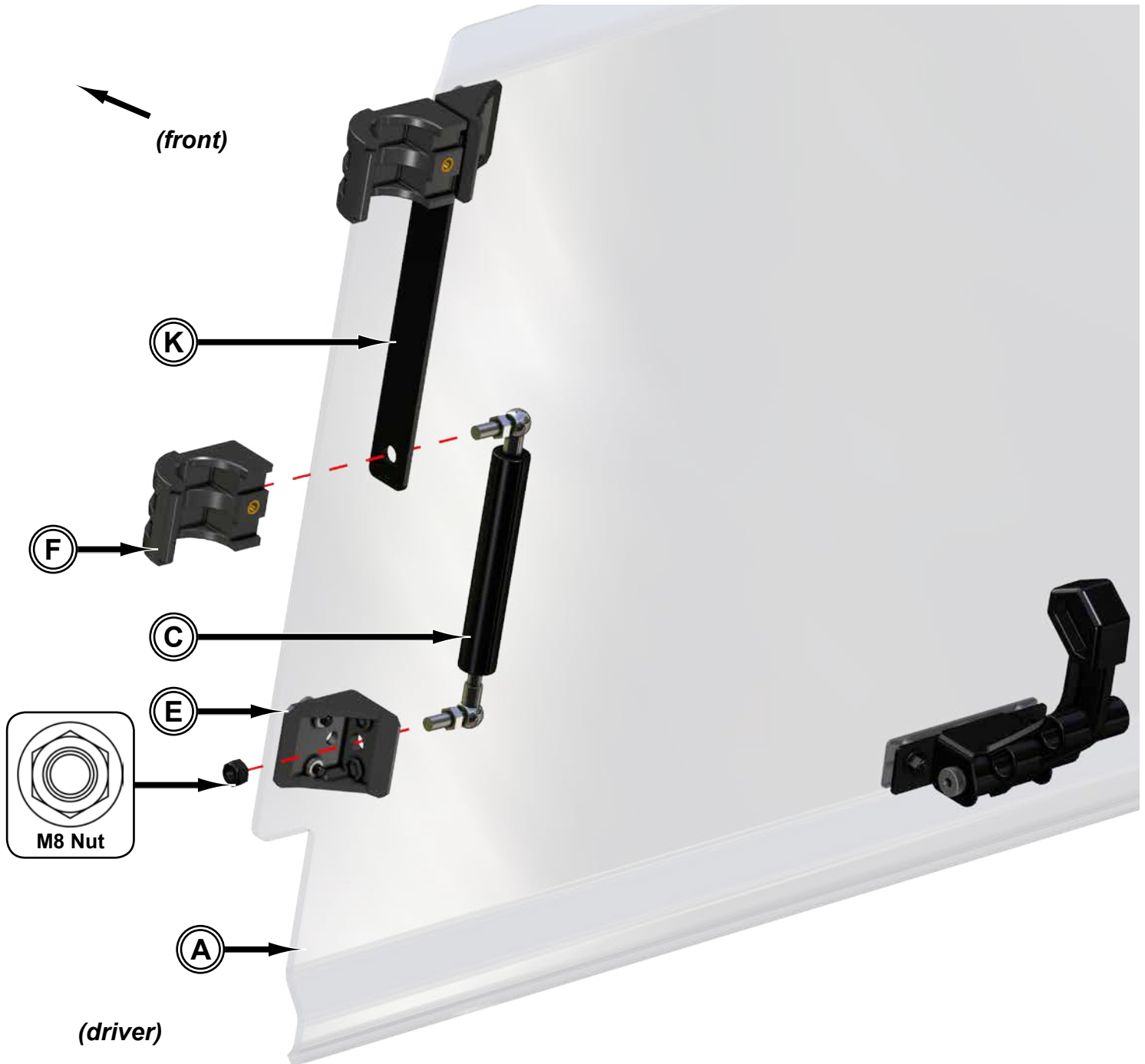
Upper Windshield (A)

- Install Handle and Support and Handle, part of Latch Assembly (D), to Upper Windshield (A) with hardware shown.
- Install Pivot Blocks (E) to Upper Windshield (A) with hardware shown.
- Install Clamp (F) and Support (K) to Pivot Block (E) with M8 Shoulder Bolt.
- Repeat for opposite side.



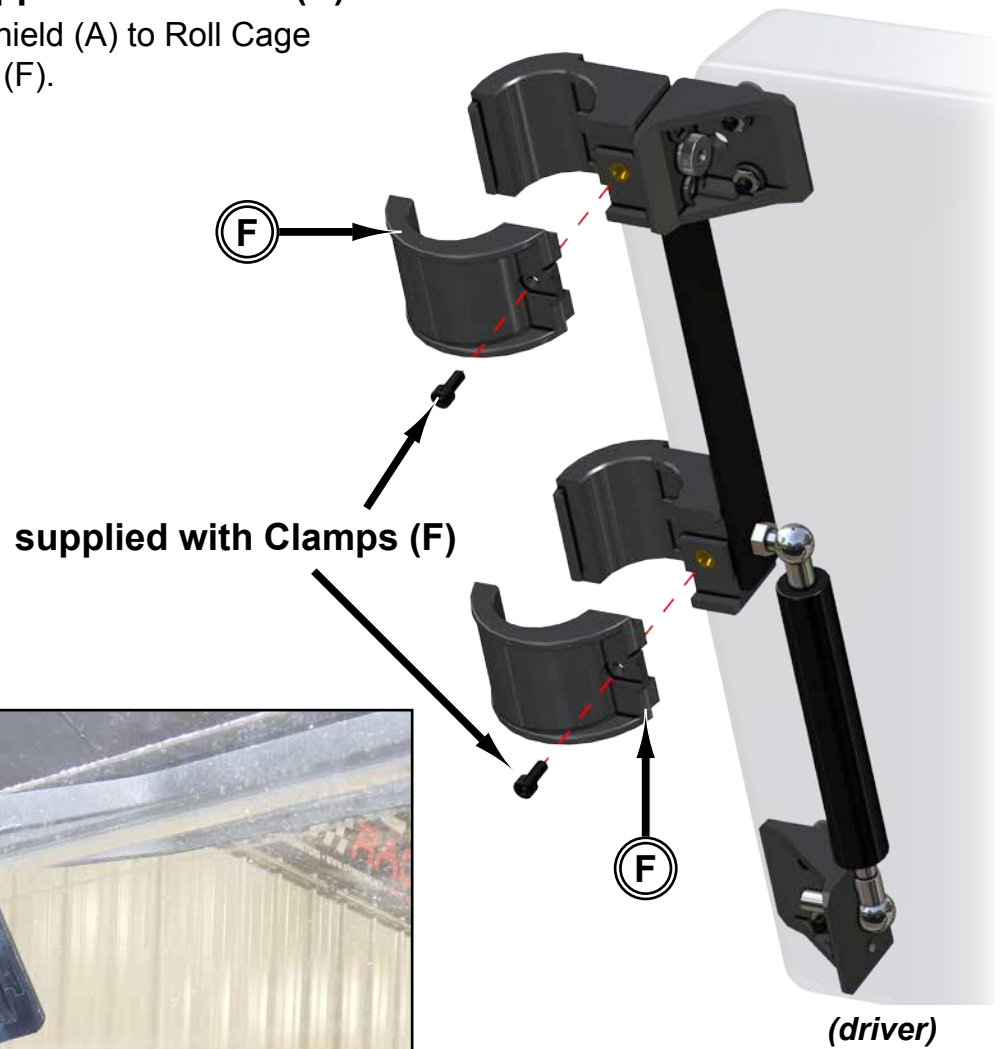
Upper Windshield (A) continued

- Install Clamp (F) and Gas Strut (C) to Support (K).
- Secure Gas Strut (C) to Pivot Block (E) with M8 Nylock Nut.
- Repeat for opposite side.



Upper Windshield (A) continued

- Install and secure Upper Windshield (A) to Roll Cage with bolts included with Clamps (F).



- Engage Latch and align Windshield assembly to machine.
- Tighten all hardware completely.