

TITLE:

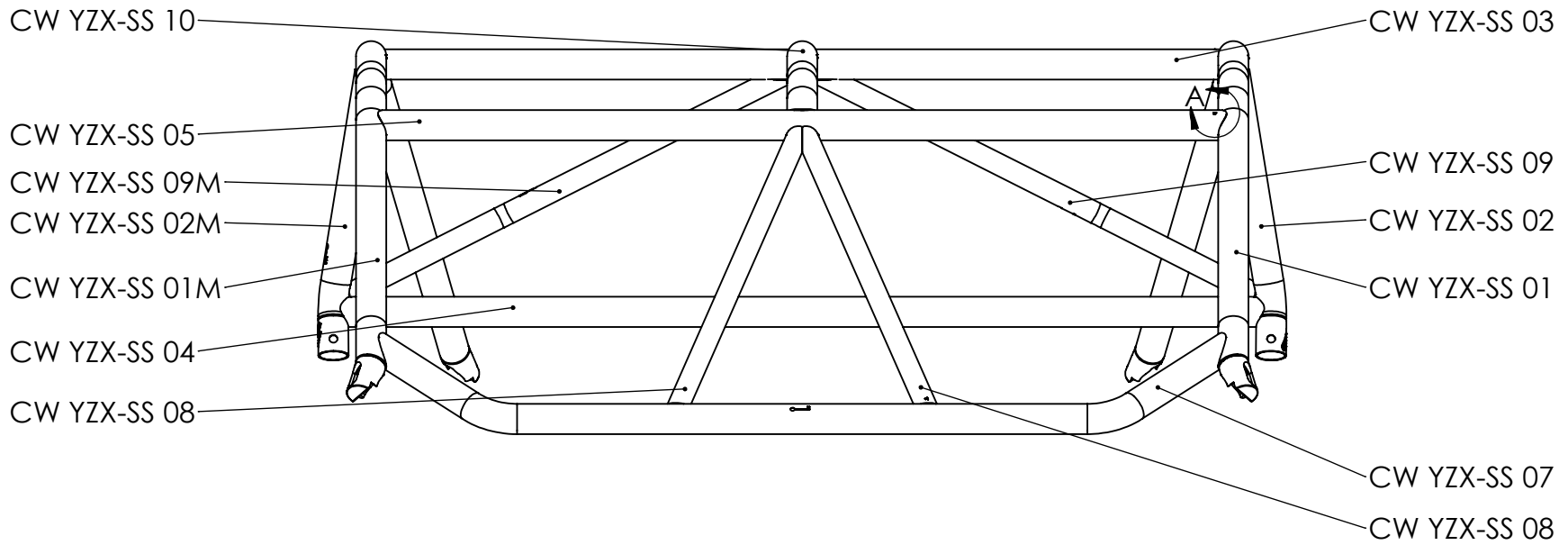
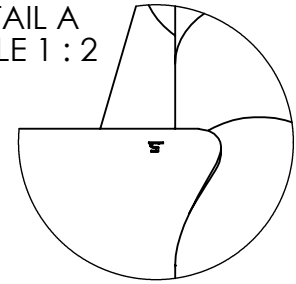
DIMENSIONS ARE IN INCHES
 TOLERANCES:
 FRACTIONAL $\pm 1/16$
 ANGULAR: BEND $\pm .5$ DEG
 TWO PLACE DECIMAL $\pm .01$
 THREE PLACE DECIMAL $\pm .005$

THE INFORMATION CONTAINED IN THIS
 DRAWING IS THE SOLE PROPERTY OF
 CAGEXX LLC. ANY REPRODUCTION
 IN PART OR AS A WHOLE WITHOUT THE
 WRITTEN PERMISSION OF CAGEXX
 LLC IS PROHIBITED.

MATERIAL SEE BOM	FINISH N/A
THICKNESS "	
DO NOT SCALE DRAWING	

SIZE A	PART. NO. CW YZX-SS	REV A
SCALE: 1:12	WEIGHT: 74.3	SHEET 1 OF 3

DETAIL A
SCALE 1:2



TITLE:

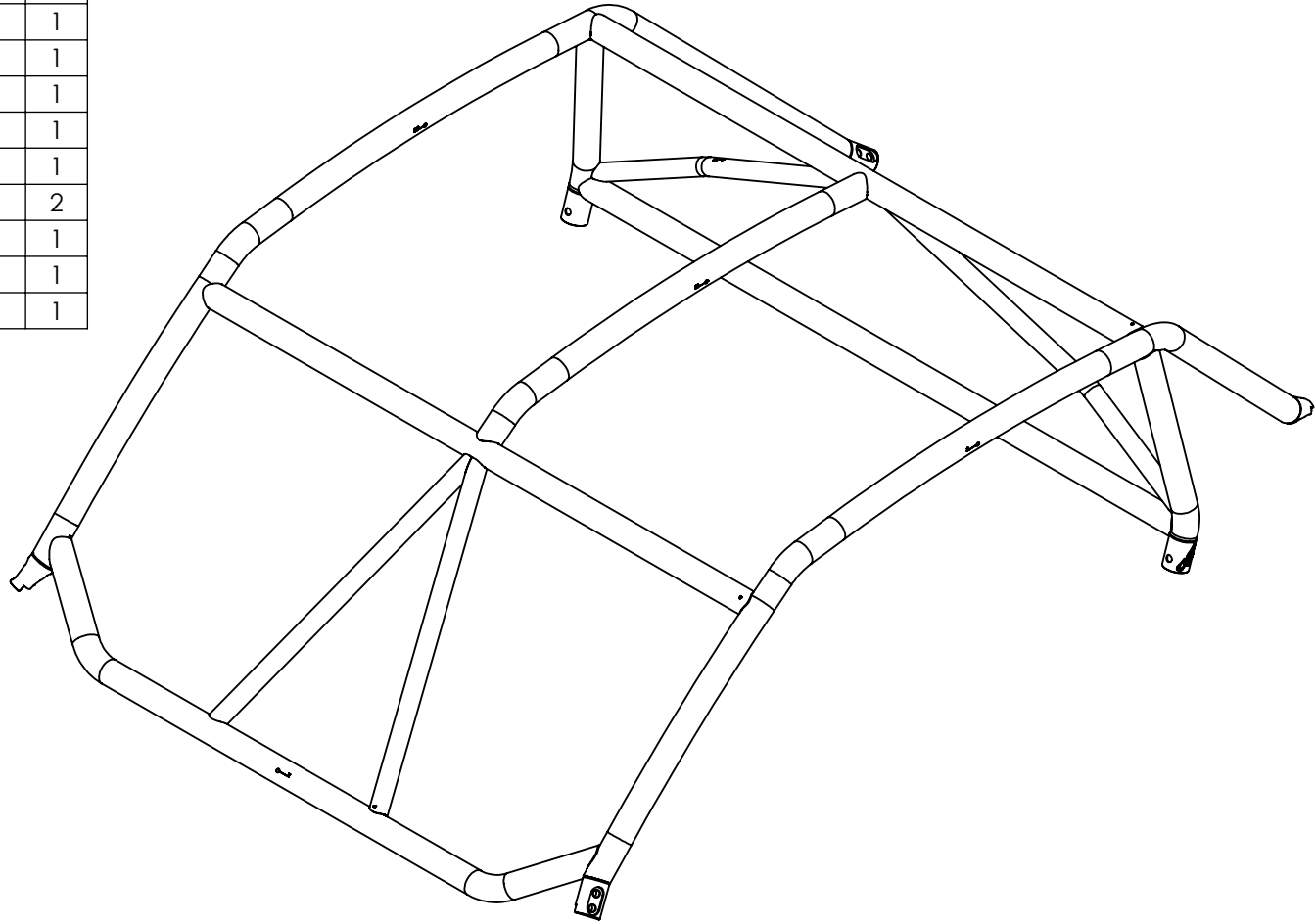
DIMENSIONS ARE IN INCHES
TOLERANCES:
FRACTIONAL $\pm 1/16$
ANGULAR: BEND $\pm .5$ DEG
TWO PLACE DECIMAL $\pm .01$
THREE PLACE DECIMAL $\pm .005$

THE INFORMATION CONTAINED IN THIS DRAWING IS THE SOLE PROPERTY OF CAGEWRX LLC. ANY REPRODUCTION IN PART OR AS A WHOLE WITHOUT THE WRITTEN PERMISSION OF CAGEWRX LLC IS PROHIBITED.

MATERIAL SEE BOM	FINISH N/A
THICKNESS "	
DO NOT SCALE DRAWING	

SIZE A	PART. NO. CW YZX-SS	REV A
SCALE: 1:10	WEIGHT: 74.3	SHEET 2 OF 3

PART NUMBER	DESCRIPTION	QTY.
CW YZX-A	YZX A/C CHASSIS BUNG	4
CW YZX-B	YZX B CHASSIS BUNG	2
CW YZX-SS 01	1.750 X .095 Wall	1
CW YZX-SS 01M	1.750 X .095 Wall	1
CW YZX-SS 02	1.750 X .095 Wall	1
CW YZX-SS 02M	1.750 X .095 Wall	1
CW YZX-SS 03	1.750 X .095 Wall	1
CW YZX-SS 04	1.750 X .095 Wall	1
CW YZX-SS 05	1.750 X .095 Wall	1
CW YZX-SS 07	1.750 X .095 Wall	1
CW YZX-SS 08	1.250 X .095 Wall	2
CW YZX-SS 09	1.250 X .095 Wall	1
CW YZX-SS 09M	1.250 X .095 Wall	1
CW YZX-SS 10	1.750 X .095 Wall	1



TITLE:

DIMENSIONS ARE IN INCHES
TOLERANCES:
FRACTIONAL $\pm 1/16$
ANGULAR: BEND $\pm .5$ DEG
TWO PLACE DECIMAL $\pm .01$
THREE PLACE DECIMAL $\pm .005$

THE INFORMATION CONTAINED IN THIS
DRAWING IS THE SOLE PROPERTY OF
CAGEWRX LLC. ANY REPRODUCTION
IN PART OR AS A WHOLE WITHOUT THE
WRITTEN PERMISSION OF CAGEWRX
LLC IS PROHIBITED.

MATERIAL SEE BOM	FINISH N/A
THICKNESS "	
DO NOT SCALE DRAWING	

SIZE A	PART. NO. CW YZX-SS	REV A
SCALE: 1:12	WEIGHT: 74.3	SHEET 3 OF 3