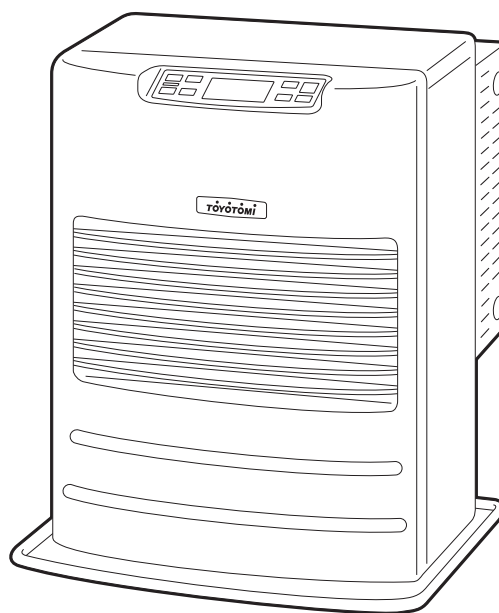


# TÖYÖTÖMI

## LASER CLEAN HEATING SYSTEM/VENTED HEATER INSTALLATION AND OPERATION INSTRUCTIONS



### LASER CLEAN VENTED MODEL **Laser 531 / Laser 532** (Type A)

#### IMPORTANT

READ AND UNDERSTAND INSTRUCTIONS BEFORE INSTALLING OR USING HEATER.  
RETAIN INSTRUCTIONS FOR FUTURE REFERENCE. CHECK LOCAL CODES AND ORDINANCES FOR PERMITTED USE.

#### CONTENTS

SECTION A:	SECTION G:
Specifications ..... 2	Troubleshooting ..... 17
Safety Features ..... 3	SECTION H:
SECTION B:	Long Term Storage ..... 18
Safety Tips for Operation ..... 4	SECTION I:
SECTION C:	Installation
Fuel Guide ..... 5	Tools Needed for Installation ..... 19
SECTION D:	Standard Installation Parts ..... 19
Operating Controls and Part Names ..... 6	Accessory Parts ..... 21
SECTION E:	Safety Tips for Installation ..... 24
Operation	Installation of Heater and Flue Pipe ..... 25
Before Ignition ..... 9	Permanent Wiring Installation ..... 31
Operation ..... 10	SECTION J:
Turning Heater Off ..... 14	Fueling ..... 32
SECTION F:	SECTION K:
Routine Maintenance ..... 15	Customer's Record ..... 33

# SECTION A: SPECIFICATIONS

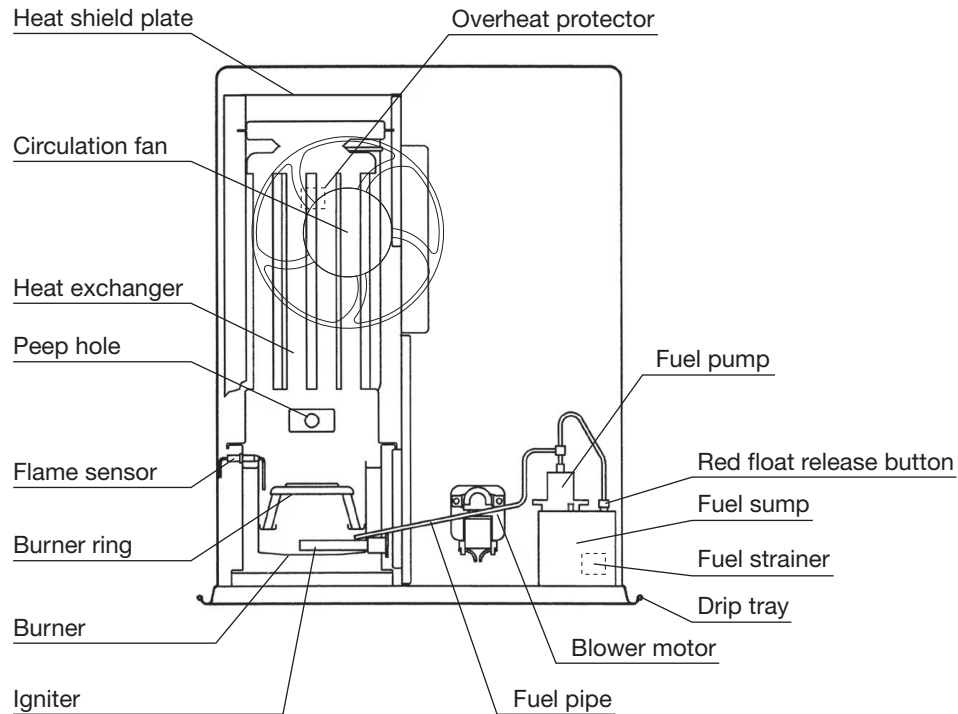
---

Model:	Laser 531 / Laser 532
Heater Efficiency:	92.4%
Heat Rating:	High - 22,000 BTU/h Med - 15,000 BTU/h Low - 8,000 BTU/h
Fuel Consumption:	High - 0.165 gal/h (0.625 L/h) Med - 0.113 gal/h (0.428 L/h) Low - 0.060 gal/h (0.227 L/h)
Fuel system:	External tank (2)
Fuel Type:	1-K kerosene (ASTM D3699) Low Sulfur No.1 Fuel (ASTM D396 S500) Ultra Low Sulfur Diesel Fuel (ULSD) or Ultra Low Sulfur Heating Oil (ULSHO) (ASTM D975 S15)
Dimensions (W × H × D):	19-5/8" × 23-5/8" × 16-1/2" (496 × 600 × 418 mm)
Weight:	38 lbs. (17 kg) Empty
Vent Pipe Hole:	2-3/4" – 3" (7.0 – 7.5 cm) diameter
Maximum Length of Vent Pipe System:	10ft. (3 m), 3 bents or less
Electrical Rating:	120 Volts AC, 60 Hz Preheat - 240W Burning - 48W
Typical Room Size (3):	920 square feet ( 0°F) 1150 square feet (20°F)
Frequency band(s) in which the radio equipment operates:	2.400GHz to 2.4835GHz
Maximum radio-frequency power transmitted in the frequency band(s) in which the radio equipment operates:	20dBm
Wireless LAN:	IEEE 802.11n/g/b

- (1) Heat and vaporized water are produced by the combustion process of this heater. This rating does not take into account heat loss due to condensation of water vapor.
- (2) External tank to be purchased from local suppliers.
- (3) 0°F Heat Load = 24 BTU/ft<sup>2</sup>/hr  
20°F Heat Load = 20 BTU/ft<sup>2</sup>/hr  
Room size for which this heater is suitable will vary depending on outside temperature, house insulation, window size, and other factors.

## SAFETY FEATURES

Laser 531 / Laser 532 is equipped with the following safety features. Please familiarize yourself with these features. When your heater is extinguished due to a safety mechanism, be sure to identify the problem correctly.

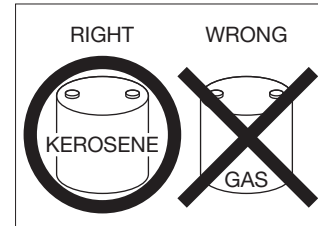


- 1. Flame Sensor**  
Heater will automatically stop all operations if ignition fails or if flame fails during combustion, in order to prevent fuel overflow. Error code will be displayed on the Operation panel.
- 2. Fuel Strainer**  
Special strainer catches dirt and impurities present in the fuel before it is sent to the burner.
- 3. Overheat Protector**  
Automatically stops all operations if the heater's inside cabinet reaches abnormally high temperature due to motor malfunction or abnormal combustion, in order to prevent fire.
- 4. Power Failure Recovery System**  
If power fails during heater operation, heater will automatically reignite and maintain the normal selected temperature, when power resumes.
- 5. Fully Vented System**  
Flue pipe system uses outside air for combustion and vents all combustion products to the outdoors.

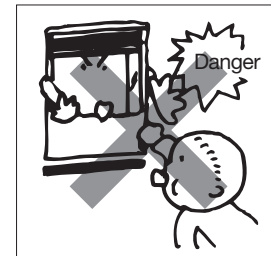
## SECTION B: SAFETY TIPS FOR OPERATION

**CAUTION:** Heater and vent pipe system must be properly installed before operation.  
Please follow instructions under "Installation", Section I.

1. Never use any fuel other than clear or red colored kerosene (ASTM D3699 1-K Kerosene, ASTM D396 Low Sulfur No.1 Fuel Oil, ASTM D975 Ultra Low Sulfur Diesel (ULSD), or Ultra Low Sulfur Heating Oil (ULSHO)). NEVER USE GASOLINE. Use of gasoline can lead to uncontrollable flames, resulting in destructive fire.



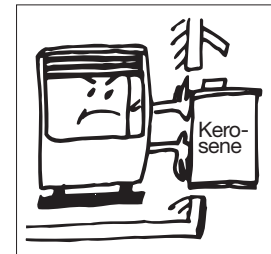
2. Due to high surface temperatures, keep children, furniture and clothing away from heater (See Page 25).



3. To prevent abnormal operation and prolong heater life, be sure to perform routine maintenance (See Pages 15).



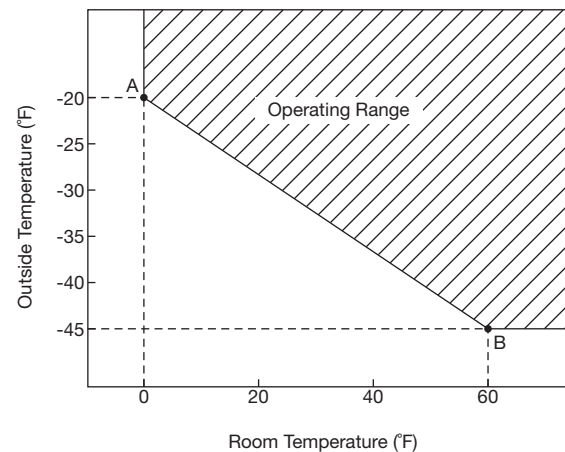
4. Never store or transport kerosene in other than a metal or plastic container that is clearly marked, "KEROSENE", "No.1 FUEL OIL", "ULTRA LOW SULFUR DIESEL", or "ULTRA LOW SULFUR HEATING OIL". Never store fuel in the living space.



5. Operating Temperature Range  
Use heater within the range of temperatures indicated in the right figure.

Point A: If outside temperature  $-20^{\circ}\text{F}$   
than room temperature has to be  $0^{\circ}\text{F}$  or above

Point B: If outside temperature  $-45^{\circ}\text{F}$   
than room temperature has to be  $60^{\circ}\text{F}$  or above



## SECTION C: FUEL GUIDE

The Toyotomi Laser 531 / Laser 532 is designed for use with ASTM D3699 1-K kerosene, ASTM D396 Low Sulfur No.1 Fuel Oil, ASTM D975 Ultra Low Sulfur Diesel (ULSD), or Ultra Low Sulfur Heating Oil (ULSHO). Use of low-quality fuel will cause burner performance to drop, leading to abnormal combustion and reduced heater life.

Purchase only ASTM D3699 1-K kerosene or ASTM D396 Low Sulfur No.1 Fuel Oil, ASTM D975 Ultra Low Sulfur Diesel (ULSD), or Ultra Low Sulfur Heating Oil (ULSHO) in non-red cans reserved exclusively for kerosene and marked accordingly with the word "KEROSENE", "No.1 FUEL OIL", "ULTRA LOW SULFUR DIESEL", "ULTRA LOW SULFUR HEATING OIL". Always store your fuel in a separate area from where you store gasoline for your power equipment to avoid accidental use of gasoline in your heater.

### What to Buy . . .

- ALWAYS :** Clean and high-quality ASTM D3699 1-K Kerosene, ASTM D396 Low Sulfur No.1 Fuel Oil, ASTM D975 Ultra Low Sulfur Diesel (ULSD), or Ultra Low Sulfur Heating Oil (ULSHO).
- ALWAYS :** Fuel free of contaminants, water or cloudiness.
- NEVER :** Gasoline, alcohol, white gas, camp stove fuel or additives.
- NEVER :** Yellow or sour-smelling fuel.



### How to Store It . . .

- ALWAYS :** Store in a clean container, non-red in color, clearly marked KEROSENE, No.1 FUEL OIL, ULTRA LOW SULFUR DIESEL, or ULTRA LOW SULFUR HEATING OIL.
- ALWAYS :** Store away from direct sunlight, heat sources or extreme temperature changes.
- NEVER :** In a glass container, or one that has been used for other fuels.
- NEVER :** For longer than six months. Begin each heating season with fresh fuel; discard at the end of season.
- NEVER :** In the living space.

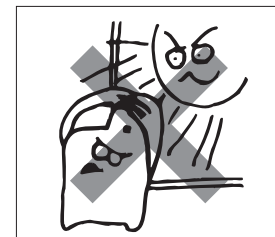


### Why It is Important . . .

Good, clean fuel is essential for safe and efficient heater operation. Poor quality or contaminated fuel can cause:

- Excess tar deposits on burner and flue pipe
- Incomplete combustion
- Reduced heater life

Use of a highly volatile flammable fuel such as gasoline can produce uncontrollable flames, creating a severe fire hazard.

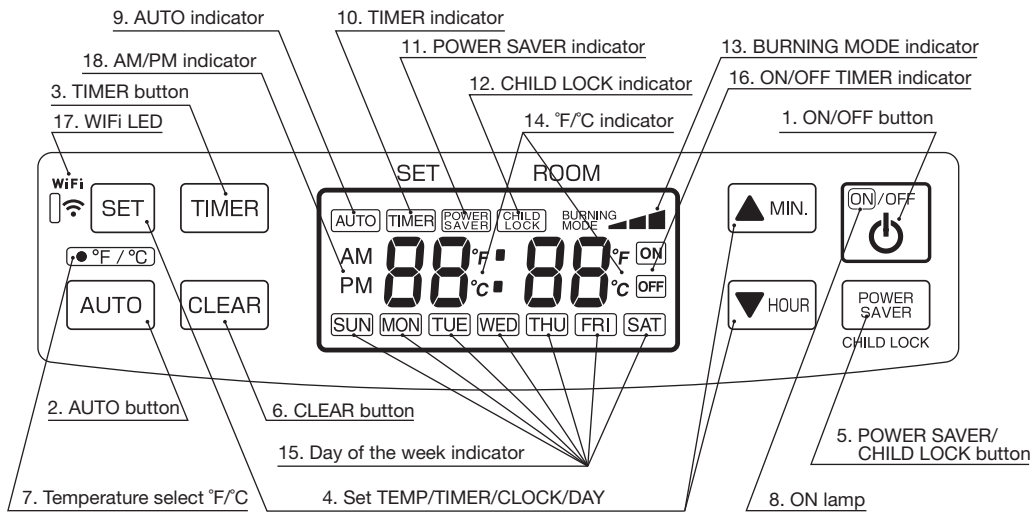
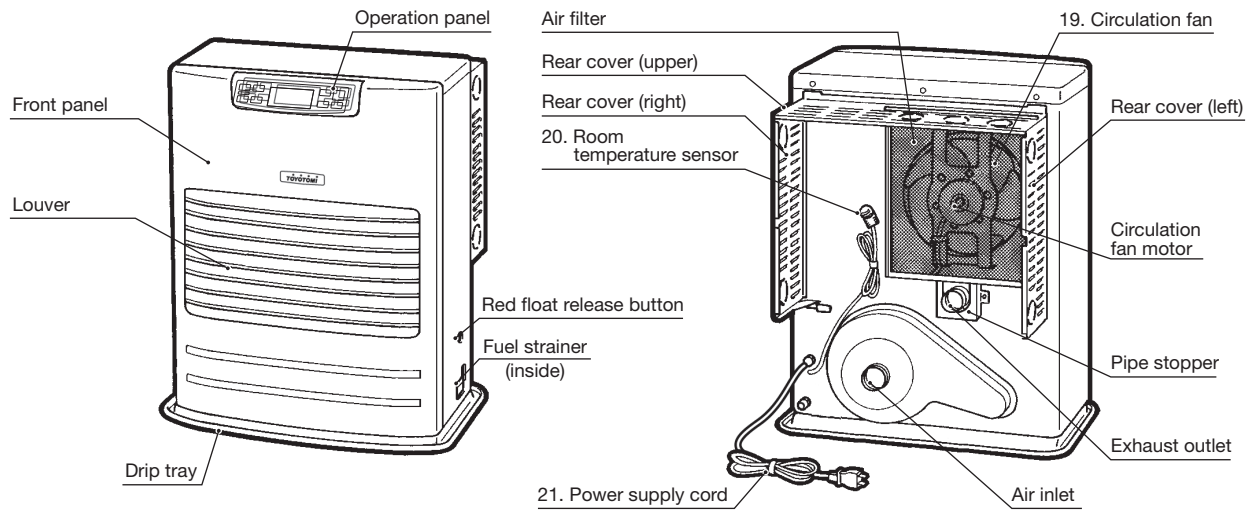


**Note:** The fluidity of Ultra Low Sulfur Diesel and Ultra Low Sulfur Heating Oil becomes worse at temperatures of 21°F (-6°C) and below and can "gel". This condition may cause ignition failure. To prevent congealing it is recommended to use an additive with the fuel. Check with a fuel supply company for the proper additive and mix.

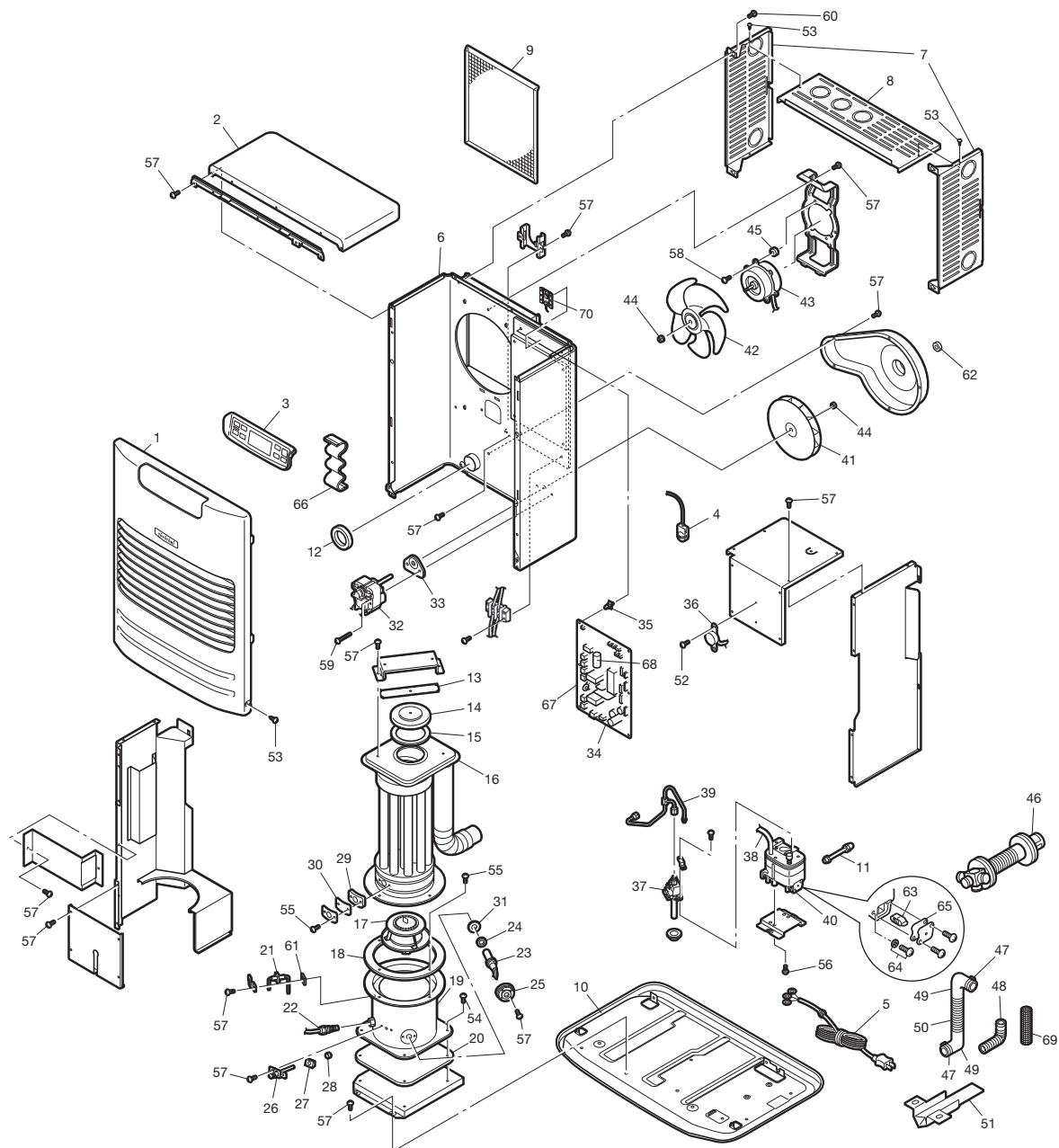


# SECTION D: OPERATING CONTROLS AND PART NAMES

Before using heater, familiarize yourself with the following operating controls and part names.



- |                                  |   |
|----------------------------------|---|
| 1. ON/OFF button                 | Main button switch turns heater on and off. When switched on, heater begins operation and combustion starts after preheat period.   |
| 2. AUTO button                   | The button turns weekly timer operation modes on and off which have been programmed into weekly timer.  |
| 3. TIMER button                  | The button turns weekly timer set mode on and off.  |
| 4. SET button                    | To set TIME/TEMP/WEEKLY TIMER/and Day of weekly.  |
| 5. POWER SAVER/CHILD LOCK button | The button turns POWER SAVER operation mode on and off. Press and hold the button, the to turn on or off the CHILD LOCK mode.   |
| 6. CLEAR button                  | When reset the program for weekly timer, the CLEAR button is used.  |
| 7. Temperature select °F/°C      | °F/°C toggle switch.  |
| 8. ON lamp                       | Lit - Heater is in operation.<br>Flashing - Pre-heating and pre-purging.  |
| 9. AUTO indicator                | Lit - Weekly timer operation is in use.   |
| 10. TIMER indicator              | Lit - Weekly timer setting mode.  |
| 11. POWER SAVER indicator        | Lit - Operating weekly timer set mode.  |
| 12. CHILD LOCK indicator         | Lit- Heater operating in CHILD LOCK mode.   |
| 13. BURNING MODE indicator       | Lit - Heater operating at high, medium or low combustion.   |
| 14. °F/°C indicator              | Lit - Display shows current temp.<br>Flashing - Current temp can be changed.  |
| 15. Day of the week indicator    | Lit - Display shows current day or timer day.   |
| 16. ON/OFF TIMER indicator       | Lit - Display ON/OFF timer.   |
| 17. WiFi LED                     | Lit - The heater in WiFi mode.  |
| 18. AM/PM indicator              | Lit - Display shows current time.<br>Flashing - Current time can be changed.  |
| 19. Circulation fan              | Three speed motor supplies high - capacity warm air flow during high combustion for quickly heating up a room, and low or medium-capacity warm air flow during low or medium combustion for maintaining comfortable room temperature. |
| 20. Room temperature sensor      | Constantly senses room temperature and supplies information to heater so that desired room temperature can be maintained.   |
| 21. Power supply code            | For use in 120 volts AC electrical outlet.  |



REF #	PART #	PART NAME	REF #	PART #	PART NAME	REF #	PART #	PART NAME
1	20470327	Front panel assembly (L531)	23	20470218	Igniter	50	20470261	Inlet hose
1	20470927	Front panel assembly (L532)	24	17187582	Igniter gasket	51	20474925	Oil catch
2	20470360	Top plate (L531)	25	20474920	Igniter cover	52	20470220	Screw 4I
2	20470960	Top plate (L532)	26	20478026	Fuel nozzle	53	20455862	Screw S2 (L531)
3	20471276	Operation panel (L531)	27	20479885	Outside nozzle gasket	53	20470756	Screw S2 (L532)
3	20471576	Operation panel (L532)	28	20479883	Fuel nozzle gasket	54	20474048	Screw B
4	20478373	Thermistor	29	17185327	Window gasket	55	20476452	Screw B2
5	20475535	Power supply cord	30	17185314	Peep window	56	20470353	Screw 4P
6	20470346	Cabinet assembly (L531)	31	20479521	Igniter guide gasket	57	20470254	Screw 4J
6	20470946	Cabinet assembly (L532)	32	20470337	Blower motor assembly	58	20470355	Screw 4Q
7	20470351	Rear guard (L & R)	33	20479574	Blower motor gasket	59	20478355	Screw 1Z
8	20470350	Rear guard top	34	20471112	Main circuit board	60	20470666	Screw 4C
9	20479840	Circulation air filter	35	20477414	PCB support	61	17185352	Flame rod gasket
10	20470329	Drip tray (L531)	36	20470206	High limit switch	62	20479866	Air damper
10	20470929	Drip tray (L532)	37	20470319	Fuel pump	63	20478550	Fuel inlet strainer
11	20470352	Leveler fuel pipe	38	20479886	Draft tube	64	20475551	Drain screw with O-ring
12	20479568	Air joint gasket	39	20470341	Fuel pipe assembly	65	20475552	Strainer gasket
13	20479531	Relief spring	40	20470234	Fuel sump	66	20470375	Ribbon cable
14	20479530	Pressure relief plate	41	20479803	Air intake fan	67	20470678	Fuse 1 (5A)
15	20479591	Relief gasket	42	20474171	Circulation fan	68	20470679	Fuse 2 (10A)
16	20479844	Heat exchanger	43	20479869	Circulation fan motor	69	20470255	Insulating cloth cover
17	20478343	Burner ring	44	20470366	Nut L	70	20471101	WiFi module
18	20479893	Heat exchanger gasket	45	20474039	Insulator A	71	20471295	Instruction manual
19	20479842	Burner assembly	46	20479891	Flue pipe	72	20471299	Carton (L531)
20	20479894	Burner gasket	47	20474977	Hose band	72	20471599	Carton (L532)
21	20479811	Primary flame rod	48	20479884	Bent joint			
22	20470273	Burner thermistor	49	20474975	L-shaped hose			

L532 stands for Laser 532



# SECTION E: OPERATION

## BEFORE IGNITION

### 1. Open the Valve(s)

Open the valve(s) of the external fuel tank.

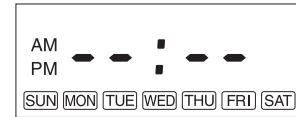
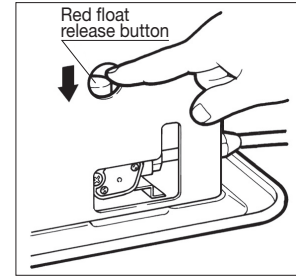
### 2. Start the Fuel flow

If using heater for the first time, press the red float release button in order to send fuel to the fuel sump and release.

Note: Make sure there is no fuel leakage from the fuel line or joints.

Also make sure fuel tank is not too high. See installation instructions.

Note: Red Float Release Button is for first time installation, or on rare occurrences when the fuel tank is filled. This red button is to release the fuel sump float. It does not prime the fuel into the sump. Pushing the Red Float release Button, too many times or for too long of a period WILL cause flooding of the fuel sump, which can result in a possible fire. Only every push the Red Float release Button once, with a quick press of less than one second.



### 3. Plug in the Heater

Plug heater into a 120V AC electrical outlet. On Display pre-set "Two Dashes" will be showing.

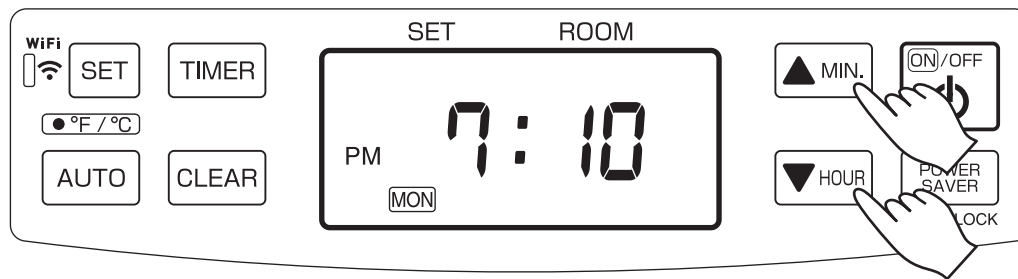
Note: Do not connect to an outlet shared with other appliances.

### 4. Set Clock

Important: Clock on the heater must always be set to current time and day.

Note: "HOUR" or "MIN" button will change the time every one (1) unit. Holding the button continuously will cause the time to change rapidly.

Note: In the event of a power failure (more than approx. 30 min.) all clock and day may be cancelled.



### 5. Setting of the Time and a Day of the Week.

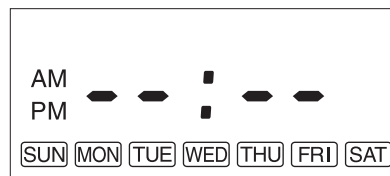
1) Current time is not set yet. (All signs light on solid.)

Press the "▲MIN." button or

"▼HOUR" button while in not operation. (Power button is off.)

AM 12:00 is indicated on the display.

(All signs except the colon are blinking.)



2) Setting of the current time

Press the "▲MIN." button to set minutes and press the "▼HOUR" button to set hours.

When pressing the "▼HOUR" button, the sign will change as follows.

"AM 12:00" → "AM 1:00" → ... → "AM 11:00" → "PM 12:00" → "PM 1:00" → ... → "PM 11:00" → "AM 12:00" → ...

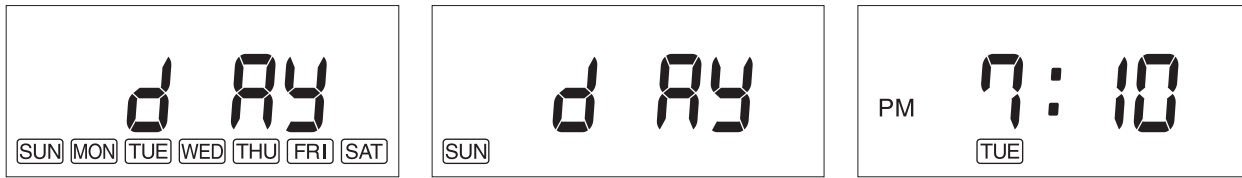
When pressing the "▲MIN." button, the sign will change as follows.

"AM 12:00" → "AM 12:01" → ... → "AM 12:59" → "AM 12:00" → ...

Press the "SET" button to complete the set of the current time.



### 3) Setting of a day of the week



“dAy” sign is shown on the display and all of days of the week will blink.

Press the “▲MIN.” button or the “▼HOUR” button to set a day of the week. A day of the week will blink. (Initial setting is “SUN”.) The other days of the week will go off. Select a day of the week by using the “▲MIN.” or the “▼HOUR” button. When pressing the “▲MIN.” button, the sign will change as follows.

“SUN” → “MON” → “TUE” → “WED” → “THU” → “FRI” → “SAT”

When pressing the “▲MIN.” button at the position of “SAT”, you can hear a beep sound and “SAT” is not changed any more. When pressing the “▼HOUR” button, the sign will change as follows.

“SAT” → “FRI” → “THU” → “WED” → “TUE” → “MON” → “SUN”

When pressing the “▼HOUR” button at the position of “SUN”, you can hear a beep sound and “SUN” is not changed any more.

Press the “SET” button to complete the setting of the days of the week. The current time and a day of the week will show on the display.

Note: If the ON/OFF switch is pressed during setting of the current time and a day of the week after setting the time and a day of the week, the set mode of the current time will terminate and the operation will start. If a day of the week is set, the time is fixed. If a day of the week is not set, the contents of the setting are deleted.

## OPERATION

### MANUAL OPERATION

Operation of the heater is under the direct control of the user. Heat output will, however, be automatically adjusted in accordance with the room temperature registered by the temperature sensor.

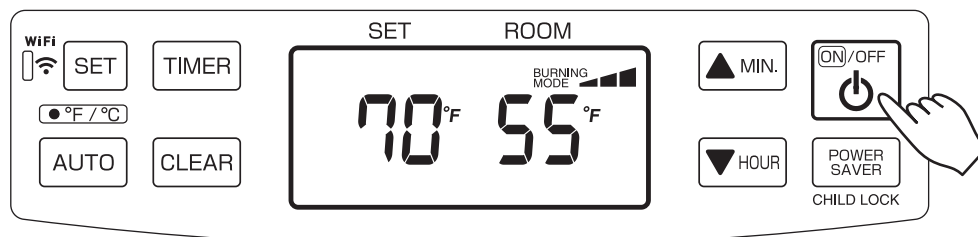
#### 1. Turn Heater ON

A. Press ON/OFF button to “ON” position. The current room temperature and the set temperature will be shown on the Display. If the room temperature is below the set temperature then ON lamp will start to flash and then blower motor and ignition will start. This lamp will continue to flash during the preheating time.

B. Pre -heating depends on the room temperature. After approx. 1.5 – 4 minutes ignition will take place.

After ignition, ON lamp will change flashing to continuous. Circulation fan will turn on after approx. 2 minutes.

Note: Room temperature: below 33°F      Approx.    4 minutes  
                                  33°F - 59°F      "            2 minutes  
                                  over 59°F            "            1.5 minutes



## 2. Adjusting Room Temperature

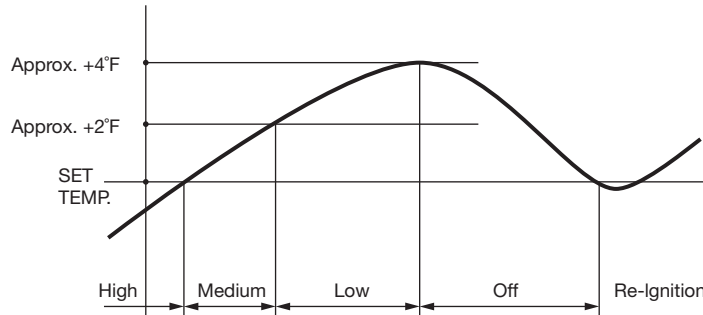
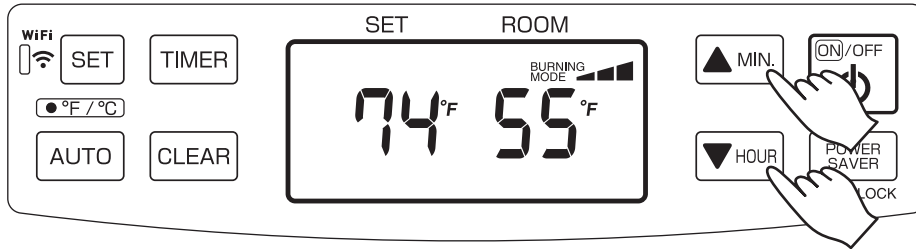
A. Press “HOUR” or “MIN.” button. °F or °C symbol will start to flash.

Note: “HOUR” or “MIN.” button will change the temperature in increment of 2°F (1°C).

B. Press “MIN.” for up and “HOUR” for down. Room temperature can be set from 50°F (10°C) to 90°F (32°C).  
(Initial setting : 56°F (13°C))

C. When room temperature reaches the selected setting, heater will automatically shift to “MED” or “LOW” burning mode to maintain the desired temperature.

When room temperature exceeds the selected setting by approx. 4°F (2°C), the heater will automatically shut off. As room temperature drops, the heater will automatically re-start to maintain the desired temperature.

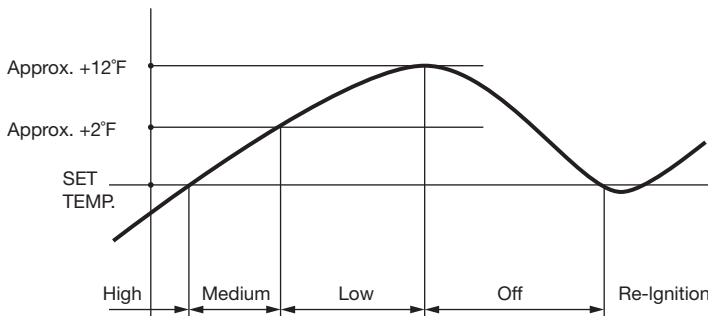
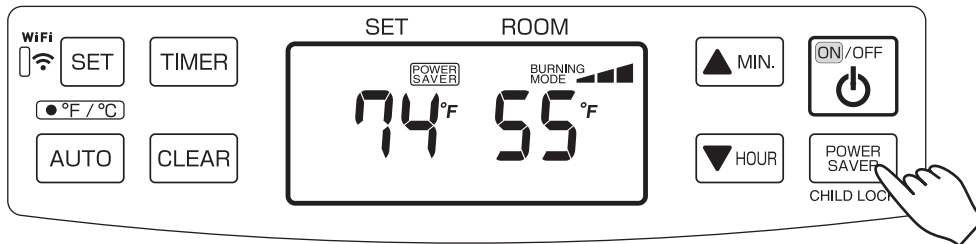


## POWER SAVER OPERATION

The Power Saver mode reduces the frequency of ignition actions, to save electric consumption.

Press the POWER SAVER button “ON” while in operation to start the operation of the “POWER SAVER”. “POWER SAVER” sign will be shown on the display.

When the room temperature exceeds the selected setting by approximately 12°F (6°C), the heater will automatically shut off. As the room temperature becomes lower than the selected setting, the heater will automatically re-start to maintain the desired temperature.



## WEEKLY TIMER OPERATION

### 1. Weekly Schedule setting

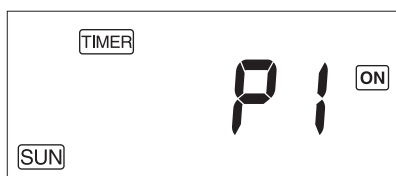
NOTE: The following Weekly Schedule is set by the factory. This programming can be changed.

Day	P01		P02		P03		P04	
	TIME	SET temp.	TIME	SET temp.	TIME	SET temp.	TIME	SET temp.
SUN	AM7:00	68°F	AM10:00	62°F	PM4:00	68°F	PM11:00	62°F
MON	AM6:00	68°F	AM8:30	62°F	PM5:00	68°F	PM11:00	62°F
TUE	AM6:00	68°F	AM8:30	62°F	PM5:00	68°F	PM11:00	62°F
WED	AM6:00	68°F	AM8:30	62°F	PM5:00	68°F	PM11:00	62°F
THU	AM6:00	68°F	AM8:30	62°F	PM5:00	68°F	PM11:00	62°F
FRI	AM6:00	68°F	AM8:30	62°F	PM5:00	68°F	PM11:00	62°F
SAT	AM7:00	68°F	AM10:00	62°F	PM4:00	68°F	PM11:00	62°F

NOTE: The current time and day of the week must be set first before the Weekly schedule settings can be changed.

NOTE: The Weekly schedule settings cannot be entered or changed while the heater is ON and in AUTO mode. Turn "AUTO" off. It does not matter if the heater is OFF or ON to enter the Weekly schedule settings mode, as long as the AUTO is off.

## Program Selection



1. Press the "TIMER" button to enter the weekly schedule settings mode. The word "TIMER" and "P1" will be shown on the display.

If you press the "TIMER" button while in the weekly schedule settings mode, the word "TIMER" will disappear from the screen and the weekly schedule settings mode will be exited. Any changes before the "SET" button was pressed will not be saved.

If the heater is turned off during the weekly setting mode, the weekly schedule setting mode will be exited.

2. Press the "▲MIN" or "▼HOUR" button to change the program number you wish to set or modify.

The programs range from P1 to P4 for each day of the week, starting with Sunday and ending with Saturday (The heater has 4 programs for each day). When pressing the "▲MIN" button, the display will change as follows.

"SUN P1" → "SUN P2" → "SUN P3" → "SUN P4" → "MON P1" → "MON P2" → ... → "SAT P4"

NOTE: When the "▼HOUR" button is pressed while at the bottom of programming which is P1 on Sunday (SUN), an alarm will sound twice and the program number cannot be changed. If you press the "▲MIN" button while on P4 on Saturday (SAT), which is the top of the programming, the alarm will sound twice and the program number cannot be changed.

3. Press the "SET" button to confirm changes and to go to the ON and OFF Settings.

The program number is cleared by pressing and holding the "CLEAR" button for 3 seconds. It is not necessary to clear the memory if you plan to change it.

## ON and OFF Settings

1. Press the "▲MIN" or "▼HOUR" button to choose between ON or OFF.

The word "ON" or the word "OFF" will flash during the setting depending on which is selected.

2. Press the "SET" button to confirm and go to the **Program Time Settings** or **Programming Selection** step.

See NOTES below:

NOTE: When "ON" is selected, the heater will operate at the temperature and the time selected. The screen will go to **Program Time Settings** step.

NOTE: When "OFF" is selected, the weekly timer does not work for that programming number. However, the heater continues burning according to the previous program number. The screen will go to the next program number in the **Programming Selection** step once you press "SET".

## Program Time Settings



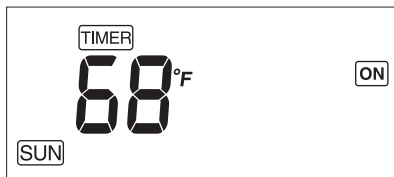
1. Press the "▲MIN" to change minutes (changes in 15 minute increments or "▼HOUR" to change hours to set the time for the program to start. The time flashes during setup.
2. Press the "SET" button to confirm the time and go to the **Temperature Settings**.

NOTE: The time settings can only be set at 15 minutes after the previous programmed time or/and 15 minutes before the next programmed time.

For example, if the P1 program is set at 7:00 AM and P3 program is set at 4:00 PM, the P2 programmed time can be set between 7:15 AM and 3:45 PM. If the time selected beyond the range and press the "SET" button, an alarm will sound four times and then the time that can be set will be displayed.

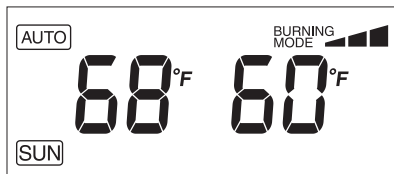
Also, the same time cannot be set in the example above, so you cannot have 7:00 AM for P1 and 7:00 AM for P2 on Sunday.

## Temperature Settings



1. Press the "▲MIN" or "▼HOUR" button to select the desired temperature in that program. The temperature flashes during setup.
2. Press the "SET" button to confirm the desired temperature and it will automatically go the next programming number in the Program selection.

## 2. Activate Weekly Timer Operation



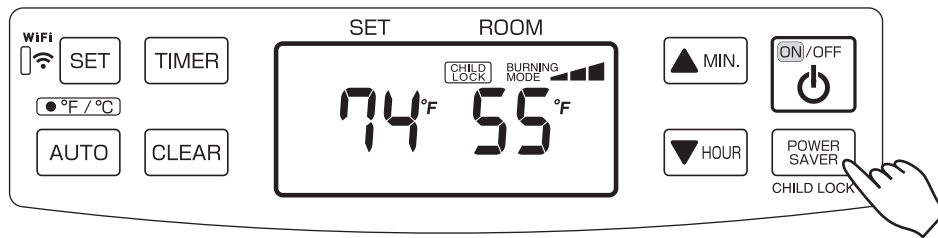
If the "AUTO" button is pressed during operation (the heater is ON), the weekly programming will begin.

The word "AUTO" will appear on the screen and the heater will operate according to the programming set in the Weekly Schedule.

If "ON" is displayed on the screen during the weekly schedule, the temperature can be changed by pressing the "▲MIN" or "▼HOUR" buttons. This will not change the temperature set in the Weekly Schedule. Also when the time gets to the next program number it will change automatically to the programmed temperature.

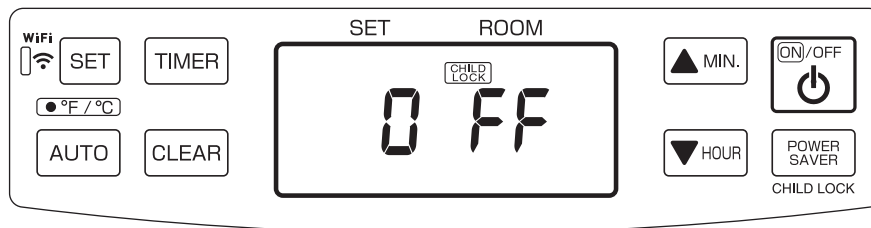
## CHILD LOCK OPERATION

Press and hold the CHILD LOCK (POWER SAVER) button for more than 3 seconds to set the child lock while in operation or not in operation. "CHILD LOCK" sign will be shown on the display..



If heater is off and the Child Lock is on and you press the ON/OFF switch to turn power on you will hear a beeping sound signifying that the heater will not start because the Child Lock is on.

If heater is on and the Child Lock is on and you press the ON/OFF switch, then heater will automatically shut down with a beeping sound. "CHILDLCK" sign on the display will flash and "OFF" sign will be shown on the display.



To release the warning, press and hold the CHILD LOCK (POWER SAVER) button for more than 3 seconds.

## MANUAL COMBUSTION

Important: This feature is for testing purpose only!

This heater can also be kept burning at desired combustion mode (High, Medium or low) manually, regardless of room temperature.

1. Press the "▲MIN." button and "▼HOUR" button at the same time for more than three (3) seconds when ON / OFF button is "ON".
2. P1, P2 or P3 will be displayed on the display;
  - P1 = Low mode
  - P2 = Medium mode
  - P3 = High mode

Then select desired combustion mode by pressing "▲MIN." or "▼HOUR" button. "▲MIN." button changes combustion mode to higher, "▼HOUR" button changes combustion mode to lower.

3. To clear, press the "▲MIN." button and "▼HOUR" button at the same time for more than (3) seconds until normal temperature display returns.

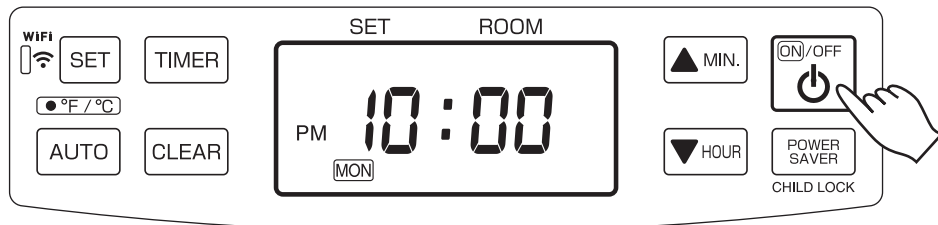
NOTE: Heater safety features and start up procedures will still be operational in this mode.

## AUTOMATIC CLEANING MODE

When the heater has been burning continuously for two hours at its highest setting, the burner will automatically start an auto clean procedure. The display will show the auto cleaning code  $\overline{CL:05}$  running back to  $\overline{CL:01}$ . The procedure takes 5 minutes to clean the burner automatically, while the heater will burn at its lowest setting. After the cleaning mode is finished, the heater will automatically switch back to the highest setting again.

## TURNING HEATER OFF

Press ON/OFF button to "OFF" position. ON lamp will flash and will go out. Circulation fan and blower motor continue to run for approx. three (3) minutes to cool down the heater. ON lamp goes out when the fan stops.

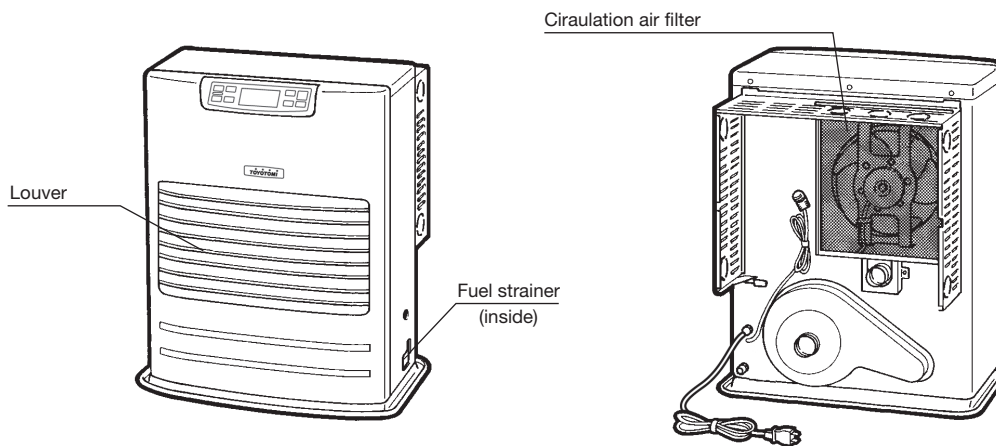


## SECTION F: ROUTINE MAINTENANCE

**CAUTION:** Be sure to turn off and unplug heater before performing any checks or cleaning.

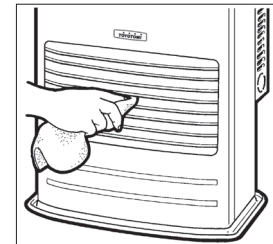
**CAUTION:** Allow heater to cool completely before cleaning or maintenance.

FOR OPTIMUM HEATER PERFORMANCE, THE PARTS SHOWN BELOW SHOULD BE CLEANED REGULARLY:



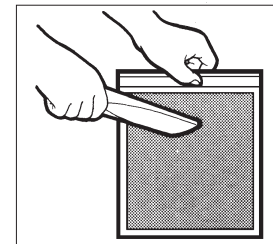
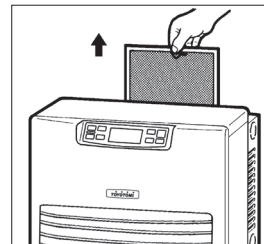
**1. Clean Louvers (ONCE A MONTH)**

Dust and stains should be wiped off louvers with a damp cloth.



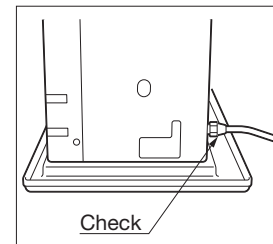
**2. Clean Circulation Fan Cover (ONCE A MONTH)**

Remove only dust or pet hair from the cover on the back of the heater.



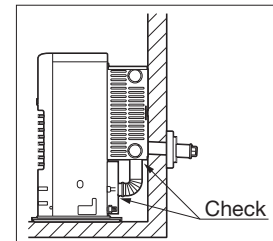
**3. Check for Fuel Leaks (REGULARLY)**

Make it a habit to check for any sign of fuel leakage along the fuel line and at all joints. Fuel leaks may lead to risk of fire.



**4. Check Flue Pipe Area (ONCE A MONTH)**

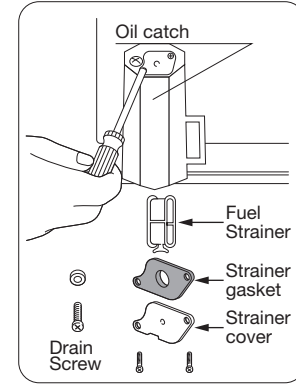
Check the flue pipe joint to make sure connection is firm. Use a vacuum cleaner to remove any dust or pet hair.



## 5. Clean Fuel Strainer (ONCE A SEASON)

The strainer of the fuel sump should be cleaned once a season and before starting the heater at the beginning of each season.

- (a) Close the valve closest to the heater.
- (b) To catch the fuel which will drain out, set the Oil catch below the Strainer cover, with a small container under it.
- (c) Loosen the two screws from the Strainer cover and remove.
- (d) Remove the strainer and wash with kerosene or fuel oil.
- (e) Return the strainer to its original position. Replace strainer cover and screw to secure.
- (f) Wipe away any spilled fuel.
- (g) Open the valve in the fuel line. Check for fuel leakage.



Note: At the end of each season unscrew the drain screw to remove all the remaining fuel from the fuel sump. Be sure to follow procedure A and B listed above and replance Drain screw.

## 6. Recommended Periodic Maintenance

As a state-of-the-art furnace, your heater requires periodic inspection and service by an authorized technician to insure optimum, trouble free performance. This inspection should include: a combustion check; flue pipe check; burner assembly check; cleaning all necessary parts and replacing gaskets as needed. Please ask your authorized Toyotomi dealer for details and scheduling. When using *Ultra Low Sulfur Diesel (ULSD)* or Ultra Low Sulfur Heating Oil the heater should be serviced at least every two years because the distillation of *ULSHO* is heavier than 1-K Kerosene and No. 1 Fuel Oil. When using 1-K Kerosene or Low Sulfur No. 1 Fuel Oil your heater can be serviced less frequently.

## AUTOMATIC IGNITER CLEANING SYSTEM

When the heater is on and clock is set (see “set Clock” on page 9), it will automatically stop and clean the igniter every day at 2:00 AM and will display “CL” on the Display. After the cleaning mode is finished the heater will automatically re-ignite and continue to burn again.

The igniter cleaning mode helps prolong the igniter life.

## MANUAL IGNITER CLEANING SYSTEM

Heater will clean igniter for ten (10) minutes manually.

1. When ON/OFF switch is “OFF”, press the “SET” button and “CLEAR” button at the same time for more than three (3) seconds.
2. Display will appear “CL:10” on Display. Cleaning will begin and end without any additional input.

Note: Cleaning igniter is important to prolong igniter life. It is recommended that the igniter be cleaned once a month if the time is not set.



# SECTION G: TROUBLESHOOTING

## NOTE BEFORE REQUESTING FOR REPAIR AND SERVICES

The following symptoms are normal during operation of the heater.

	CONDITION	REASON
When heater is started or extinguished.	White smoke or smell at initial use after purchase.	Machine oil or dust burns off of the surfaces the surfaces of the burner or heat exchanger.
	Flames flashing for a few minutes after ignition.	The burner is cold and igniter is kept running for a while after ignition.
	Occasionally makes "cracking" noise when heater is ignited or extinguished.	Expansion and shrinkage of metal parts when they are heated or cooled.
	Warm air will not blow as soon as ignited.	To prevent uncomfortable cool air from coming out at the beginning, the circulation fan start up is delayed.
	Audible chugging sound from fuel pump when started first time or after running out of fuel.	Air is in the pump. However, noise should stop within 1 minute.*
When heater is in operation.	"Ticking" noise.	Noise of fuel pump in operation. Normal.
	Part of the heat chamber or the heat exchanger is heated to a cherry red color.	Normal.
	Occasional yellow flickering in blue flame.	Normal.

\*If sound from fuel pump does not decrease and heater shuts off, check:

1. Push red float release button on fuel sump once. DO NOT hold down.
2. Insure that all valves are open and filter is clear.
3. Insure external fuel tank has fuel and filters are clean.

Should problems arise during operation or ignition, use this chart to determine the cause and the proper steps to take. Be sure to unplug heater and allow to cool completely before taking corrective measures.

In the event that heater should extinguish itself, without any action or your part, you should look to the Display for any of the following error codes.

ERROR CODE	CAUSE	SOLUTION
E- 0 E- 23	Power failure (unstable frequency) Primary flame (Flame sensor) is malfunction and/or dirty	Check power source. Consult your dealer for cleaning and in spection.
E- 6 E- 2 E- 2 / E- 6	Fuel line malfunction Out of fuel / no flame Flue pipe blockage or leak	Consult your dealer. Check fuel gauge on fuel tank; refuel. Consult your dealer. / Check flue pipe.
E- 8	Blower motor malfunction	Consult your dealer.
E- 12	High limit switch activated	Clean circulation fan filter and remove any obstructions, allow your heater to cool completely and re-ignite.
E- 13 E- 13	Burner thermistor failure Flue pipe blockage or leak	Consult your dealer. Check flue pipe. / Consult your dealer.
E- 22	Ignition failure three times	Consult your dealer.

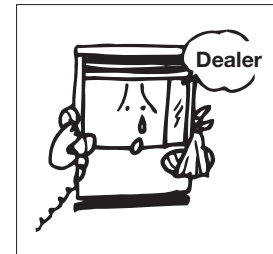
## SECTION H: LONG TERM STORAGE

---

At the end of each heating season, or when you do not plan to use your heater for an extended period, the following procedures are recommended.

1. As the end of the season approaches, calculate your fuel purchases so that you can use up all the fuel you have on hand. When fuel is stored for over six months, its quality may deteriorate. The use of such fuel will have an unfavorable effect on heater operation.
2. If your heater needs any service or repair, now is the time to call your dealer and get it done before storage. That way your heater will be ready for immediate use when the next heating season begins.

3. If you plan to store your heater in place,
  - (a) Disconnect power supply.
  - (b) Close the main tank valve.
  - (c) Remove all fuel from the fuel sump and clean the fuel strainer.
  - (d) Wipe off any stains or dust on heater with a damp cloth, then wipe once again using a dry cloth.



4. To store heater in another location,
  - (a) Disconnect heater.
  - (b) Close the main tank valve.
  - (c) Remove all fuel from the fuel sump and clean the fuel strainer.
  - (d) Disconnect fuel line and flue pipe from the heater.  
Note: Fuel remaining in the fuel line may flow out when fuel line is disconnected. Have a container ready to catch drainage.
  - (e) Remove any soot accumulated in the flue pipe using a brush and/or vacuum cleaner.
  - (f) Wipe off any stains or dust on heater with a damp cloth, then wipe once again using a dry cloth.
  - (g) Put the heater in the original shipping box, and store in a dry place. If original shipping box is not available, cover the heater completely with a large plastic bag to protect from dust during storage.
  - (h) Plug exhaust and air intake openings of the flue pipe by using optional caps.  
(Part #20479845 and #20474949)

## TRANSPORTATION

Take the following measures to avoid fuel leakage during the transportation of the heater.

- Always move the heater in an upright position.
- Always drain fuel from the fuel sump before transportation.

# SECTION I: INSTALLATION

---

## TOOLS NEEDED FOR INSTALLATION

### Tool

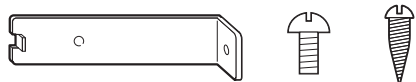
Phillips Head Screwdriver  
Electric Drill  
Hole Saw, 2-3/4 to 3" diameter

### Use

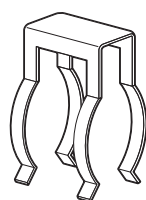
Installation of flue pipe, etc.  
Drilling hole in wall for flue pipe  
Making hole in wall for flue pipe

## STANDARD INSTALLATION PARTS

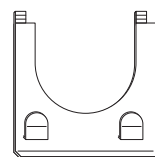
The following standard installation parts are enclosed with heater. For alternate installation methods, you may need to purchase additional accessories which are available from your TOYOTOMI dealer. See "Accessory Parts", page 26.



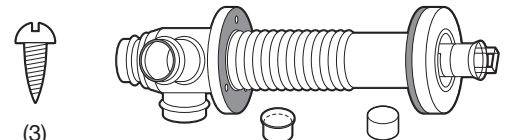
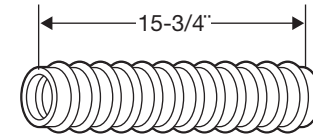
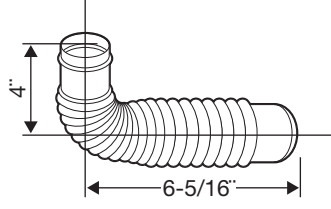
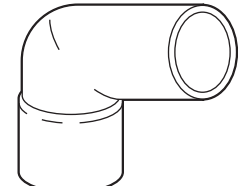
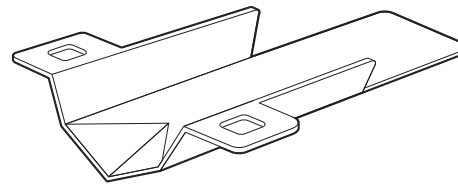
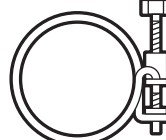
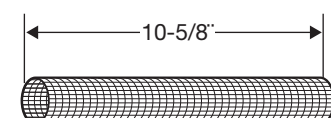
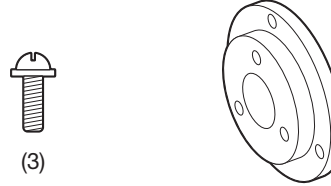
Wall Brackets (2 sets) (PART #20479562)



Pipe Holder (1) (PART #20474963)



Pipe Stopper (1) (PART #20479864)

 <p>(3)</p> <p>Flue Pipe (1) (PART #20479891)  Exhaust Air Cap (1) (PART #20479845)  Intake Air Cap (1) (PART #20474949)  Screw 4G (3) (PART #20474985)</p>	 <p>15-3/4"</p> <p>Inlet Hose (1) (PART #20470261)</p>
 <p>4"</p> <p>6-5/16"</p> <p>Bent Joint (1) (PART #20479884)</p>	 <p>L-Shaped Hose (2) (PART #20474975)</p>
 <p>Oil Catch (1) (PART #20474925)</p>	 <p>Hose Band (2) (PART #20474977)</p>
 <p>10-5/8"</p> <p>Insulating Cloth Cover (1) (PART #20470255)</p>	 <p>(3)</p> <p>Spacer (1) (PART #20478967)  Screw M (3) (PART #20474272)</p>

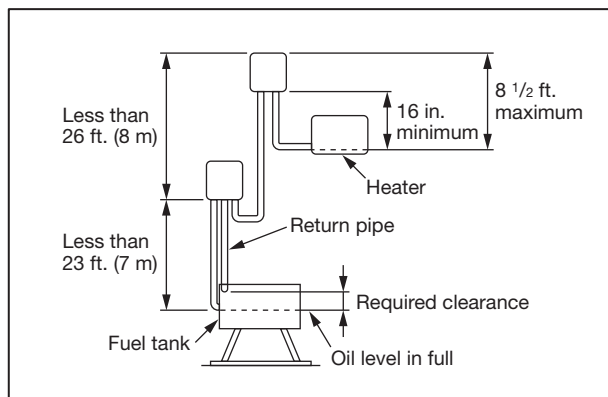
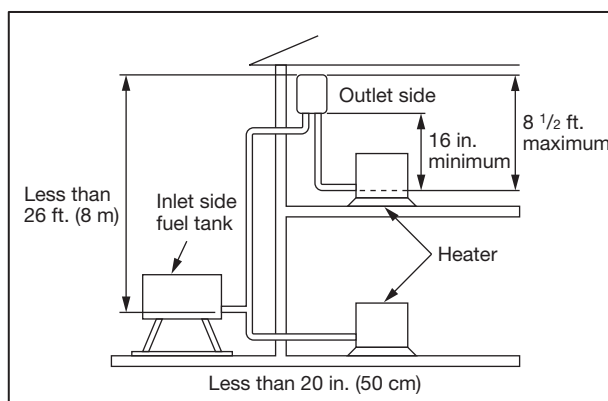
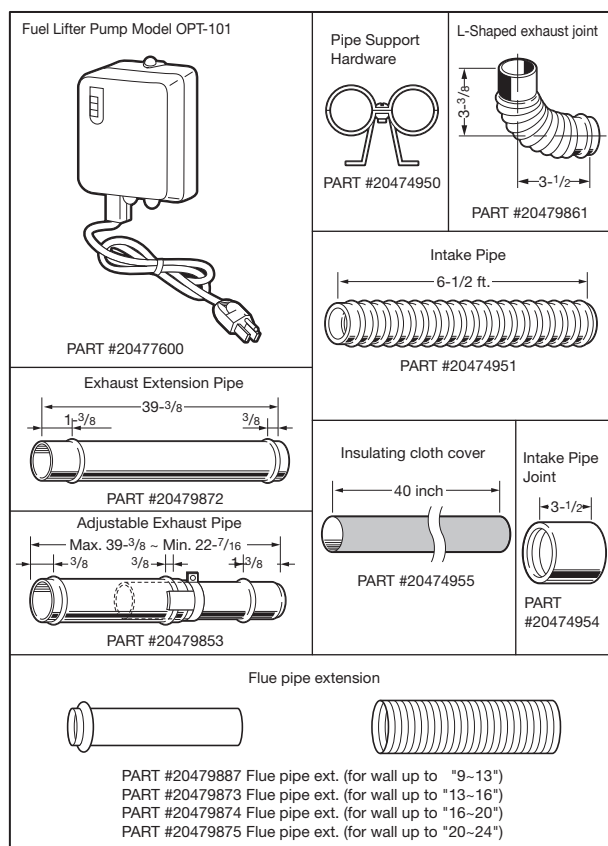
## ACCESSORY PARTS

The following accessory parts are available for use in non-standard installation of the Laser 531 / Laser 532. After giving careful consideration to your desired heater and flue pipe locations and fueling system, consult your TOYOTOMI dealer to purchase the necessary accessory parts.

Important: Use only genuine TOYOTOMI parts for your heater. Use of unauthorized, generic or other brand parts can severely reduce performance and safety, and will void factory warranty.

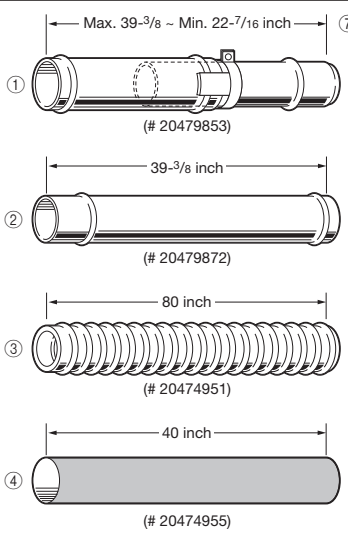
Accessory	Part No.	Application
Extension pipe kit (L)*	20479898	Extends pipe system from 61-3/4 to 78-3/4"
Extension pipe kit (M)*	20479897	Extends pipe system from 22-1/2 to 39-3/8"
Extension pipe kit (S)*	20479896	Extends pipe system from 12-5/8 to 19-5/8"
L-Shaped exhaust joint*	20479861	For 90 degree bend in exhaust pipe
Fuel lifter pump Model OPT-101	20477600	Used to lift fuel to heater when fuel tank is located underground or outdoors in a position lower than the heater. With automatic recovery.
Pressure reducing valve	10005099	See Note on page 38.

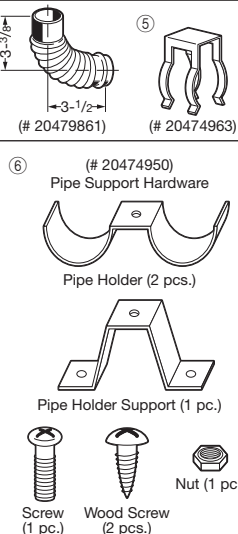
\* Total length of extension pipe between heater and flue pipe must be no greater than 10 ft. and no more than three bends may be used in extension pipe.



## EXTENSION KIT

### Extension Pipe Kit (L) PART #20479898





No.	Name of Part	Q'ty
①	Adjustable Exhaust Pipe Max. 39-3/8 - 22-7/16	1
②	Exhaust Extension Pipe (long, 39-3/8 inch)	1
③	Intake Pipe (80 inch)	1
④	Insulating cloth cover (40 inch)	2
⑤	Pipe Holder	2
⑥	Pipe Support Hardware	3 sets
⑦	L-Shaped Exhaust Joint	1

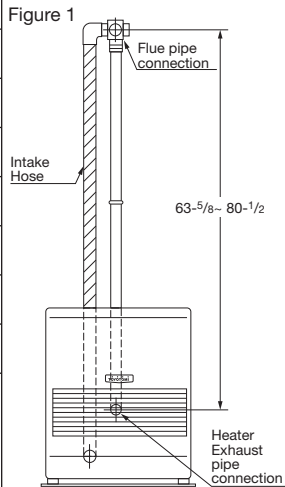
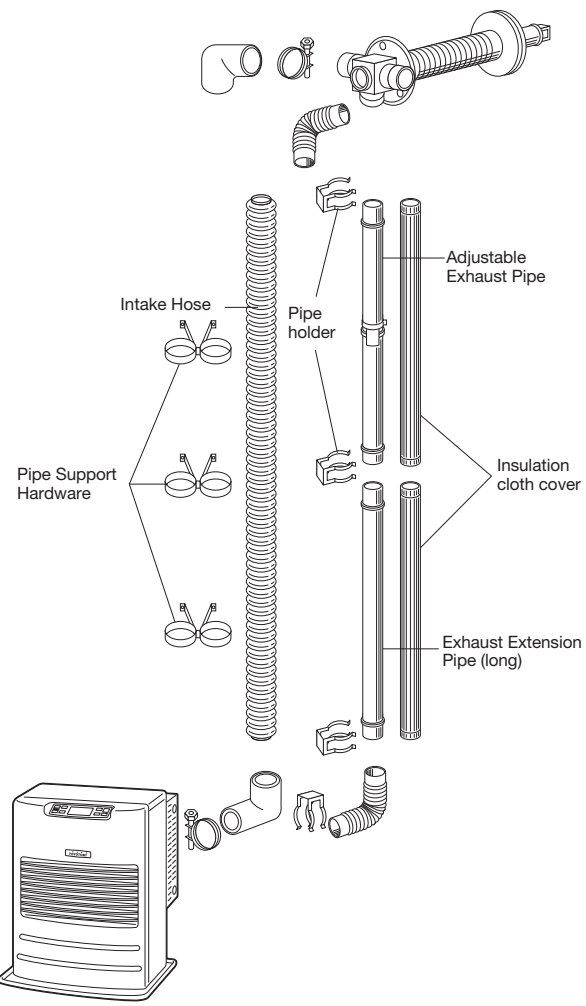


Figure 1

When using the "Extension pipe (L)" extension kit, the distance between the heater exhaust pipe connection and the flue pipe connection must be at least 63-5/8 inch but no more than 80-1/2 inch. (See Figure 1 for reference.)

### INSTALLATION WITH EXTENSION PIPE KIT (L)



**NOTE:** Use "L"-shaped Exhaust Joint if necessary.

### Extension Pipe Kit (M) PART #20479897

No.	Name of Part	Q'ty	<b>Figure 2</b> 
①	Adjustable Exhaust Pipe Max. 39- <sup>3</sup> / <sub>8</sub> - Min. 22- <sup>7</sup> / <sub>16</sub>	1	
②	Intake Pipe (40 inch)	1	
③	Insulating cloth cover (40 inch)	1	
④	Pipe Holder	2	
⑤	Pipe Support Hardware	2 sets	
⑥	L-Shaped Exhaust Joint	1	

When using the "Extension pipe (M)" extension kit, the distance between the heater exhaust pipe connection and the flue pipe connection must be at least 25-<sup>5</sup>/<sub>8</sub> inch but no more than 42-<sup>1</sup>/<sub>2</sub> inch. (See Figure 2 for reference.)

### Extension Pipe Kit (S) PART #20479896

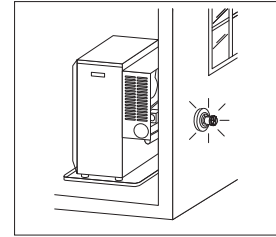
No.	Name of Part	Q'ty	<b>Figure 3</b> 
①	Adjustable Exhaust Pipe Max. 19- <sup>11</sup> / <sub>16</sub> - Min. 12- <sup>5</sup> / <sub>8</sub>	1	
②	Intake Pipe (20 inch)	1	
③	Insulating cloth cover (40 inch)	1	
④	Pipe Holder	2	
⑤	Pipe Support Hardware	1 sets	
⑥	L-Shaped Exhaust Joint	1	

When using the "Extension pipe (S)" extension kit, the distance between the heater exhaust pipe connection and the flue pipe connection must be at least 15-<sup>3</sup>/<sub>4</sub> inch but no more than 22-<sup>3</sup>/<sub>4</sub> inch. (See Figure 3 for reference.)

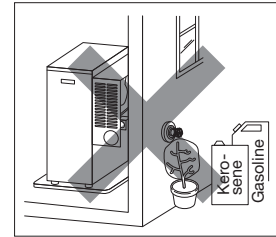
## SAFETY TIPS FOR INSTALLATION

Follow the safety tips below when planning the installation of your Laser 531 / Laser 532.

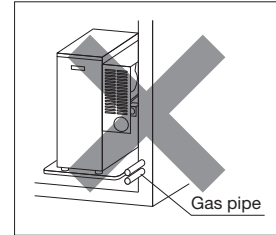
1. Intake and exhaust flue pipe openings must be fully exposed to outside air. Do not vent into chimney, garage, basement under the floor, or into any enclosed area.



2. Do not install flue pipe in close proximity to other objects or materials (See page 30).



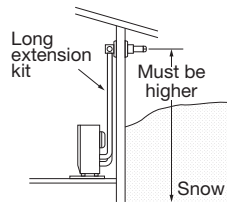
3. Before making a hole in your wall for the flue pipe, make sure the area is free of electrical wires, gas pipes and other obstacles.



4. Do not install flue pipe where it will be exposed to heavy snow collected leaves or strong drafts.

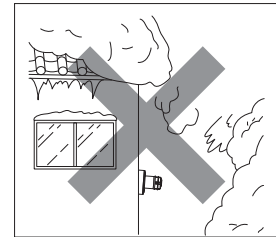
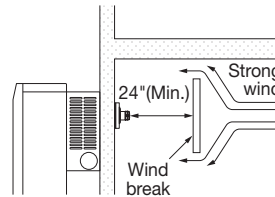
**Important:**

In areas of heavy snow falls, ground surface clearance must be increased according to average snow falls.

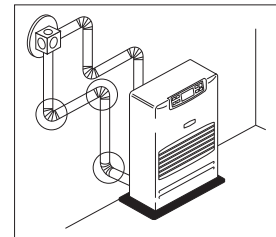
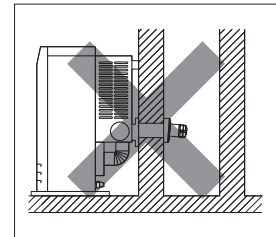
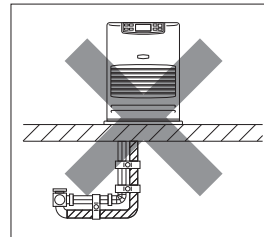
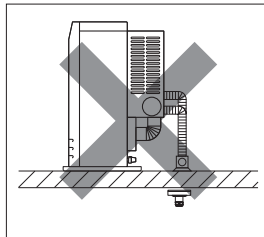


**Important:**

In open area with strong wind, a wind break may be necessary.



5. Do not install the flue pipe down from the heater.





## INSTALLATION OF HEATER AND FLUE PIPE

**IMPORTANT:** Check and comply with all state and local codes that may apply to vented heaters before beginning installation.

**NOTE:** This heater is designed to be used at altitudes up to 3,000 ft. above sea level.

For use at altitudes higher than 3,000 FT. and up to 6,000 FT., adjustments to the heater must be made. Consult with your dealer.

### MINIMUM CLEARANCE TO COMBUSTIBLE AND NONCOMBUSTIBLE CONSTRUCTION

1. Select heater location. Allow clearances as indicated below between heater and all other materials. (See Fig. 1)

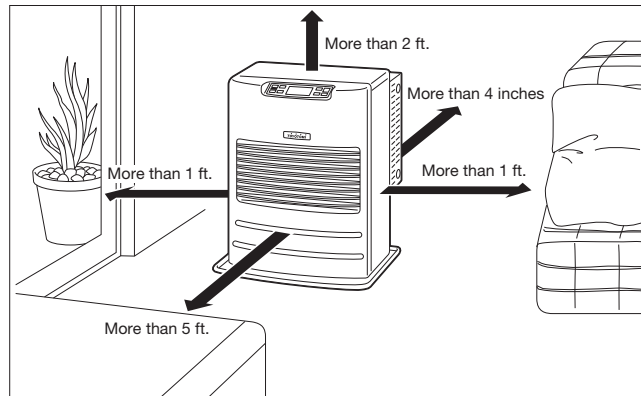


Fig. 1

Note: These clearance are necessary to allow properly circulation and to have heater work affectively.

2. Make sure that the outside area to where the flue pipe will reach is clear of any objects. (See Fig. 2 & 3)

**CAUTION!** The standard flue pipe installation, as shown in Fig. 2, is for wall thickness from 4 in. to 9 in. ONLY.

Note: For wall thickness more than 9 in., refer to page 22 for available flue pipe extensions.

Note: The flue pipe can be installed through any standard building materials.

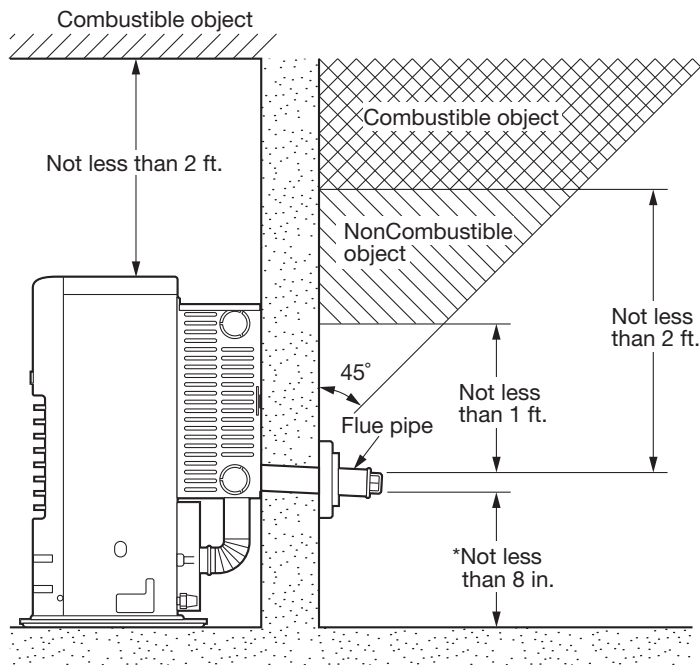


Fig. 2

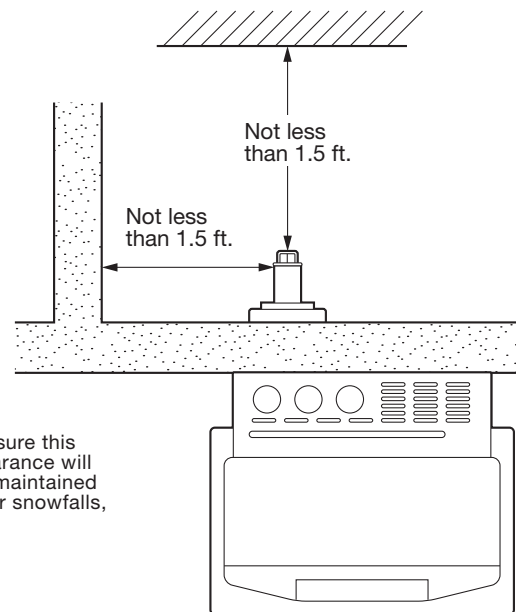
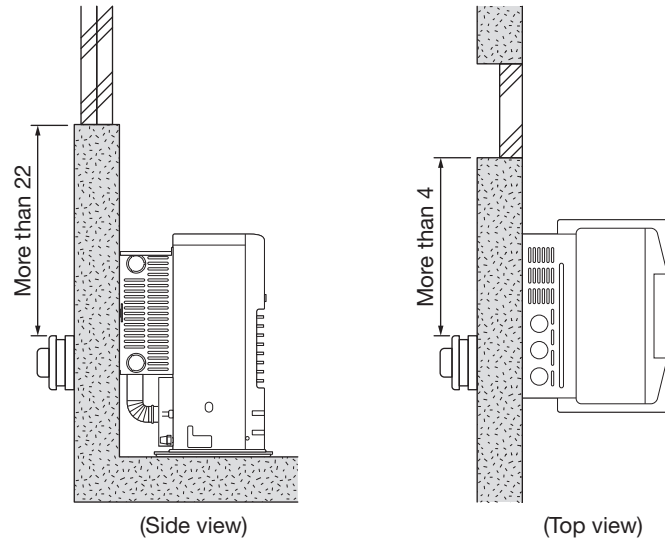


Fig. 3

\* Be sure this clearance will be maintained after snowfalls, etc.

- The distance under a door or window to the edge of the flue pipe should be more than 22 inch from the opening. The distance to the side of a door or window from the edge of the flue pipe should be more than 4 inch from opening.



- For standard installation, use the template enclosed with the heater to position the hole for the flue pipe. Tack or tape template to the wall at the desired position (See Fig. 4).

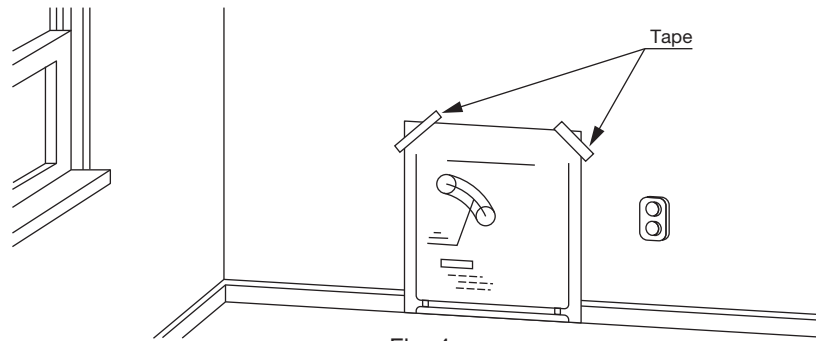


Fig. 4

NOTE: Heater should be installed on a sturdy floor that is level and flat.

- Cut the hole for the flue pipe from inside the room. Use a 2-3/4 to 3" diameter hole saw attached to an electric drill (See Fig. 5). The opening on the inside wall should be slightly higher than the outside opening (approximately 1/4") so that the flue pipe will slope slightly downward (approximately 2 degrees) after it is installed (See Fig. 6). This will enable the draining of condensed moisture from the flue pipe to the outside and prevent rain or snow entering from outside after installation.

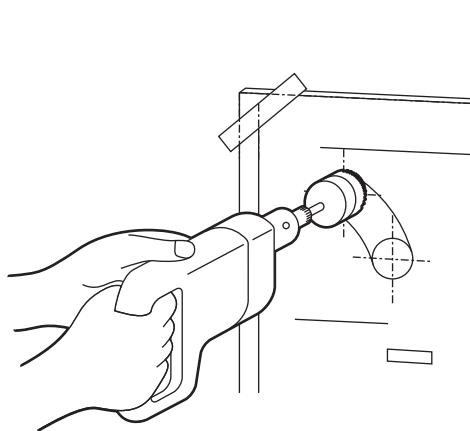


Fig. 5

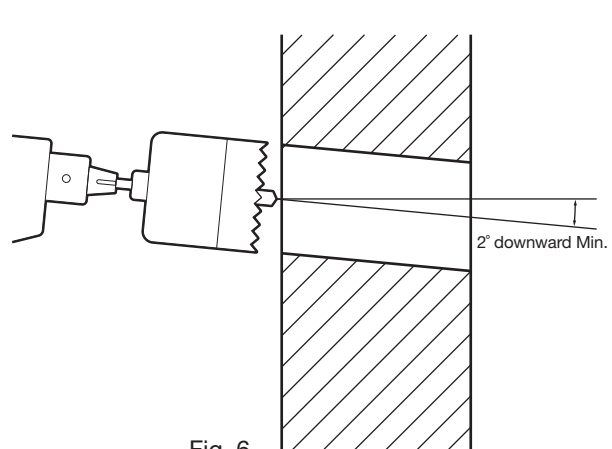


Fig. 6

NOTE: After the cutting of the hole is completed, remove the template from the wall.

5. Install the inner flue pipe.

**IMPORTANT: Do not remove the green film on flue pipe.**

- a. For wall thickness 5-3/16" to 9"

From inside the room, insert the inner flue pipe through the hole. Make sure the arrow on the inner flue pipe is pointing up. Secure the inner flue pipe to the wall with the three wood screws.

(See Fig. 7.)

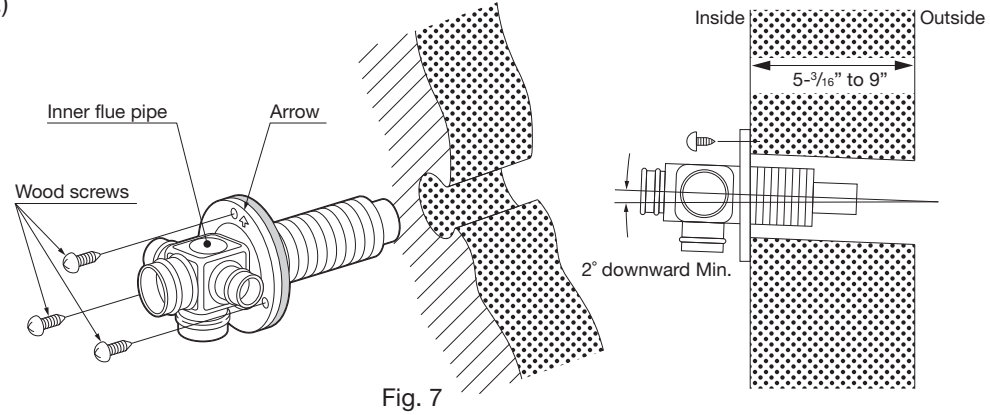


Fig. 7

- b. For wall thickness 4" to 5-3/16"

In the event that the wall is too thin, use the spacer as indicated in Fig. 8.

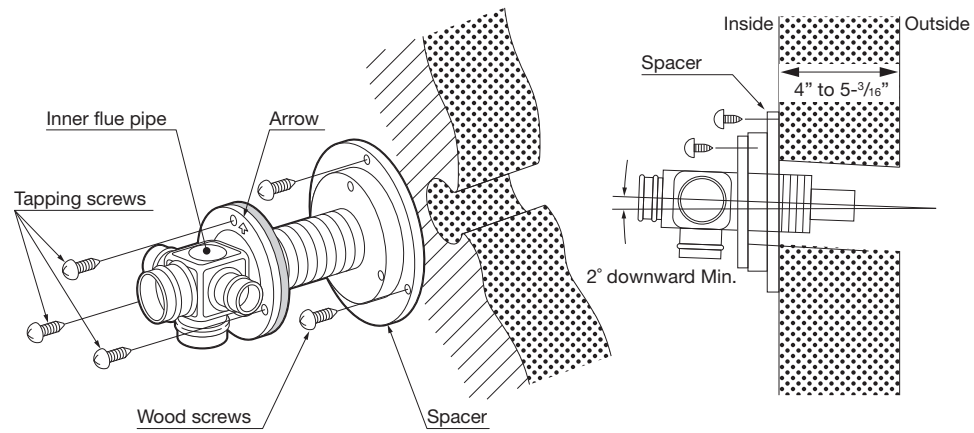


Fig. 8

- c. From outside, insert the outer flue pipe through the hole. Secure the outer flue pipe to the wall by turning it clockwise. This locks the two halves together (See fig. 9).

**IMPORTANT: Make sure the arrow on the outer flue pipe flange is pointing up.**

Make sure to secure the outer flue pipe well. (A-part shown in Fig. 9)

Check inside flue pipe for insulation and remove if any.

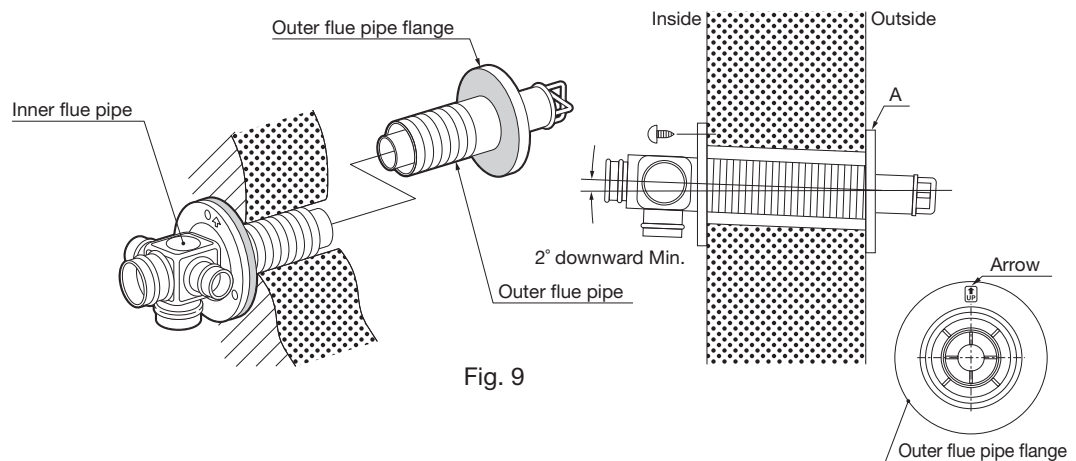


Fig. 9

6. Insert the bent joint to the exhaust opening of the flue pipe. Cut the inlet hose for desired length if necessary. Attach the L-shaped hose to each end of the inlet hose and attach the L-shaped hose to the intake opening of the flue pipe. Secure the L-shaped hose to the intake opening with the hose band. Plug the unused exhaust (metal cap) and intake (rubber cap) opening with the caps provided with the heater. Make sure the caps fit tightly onto the opening (See Fig. 10).

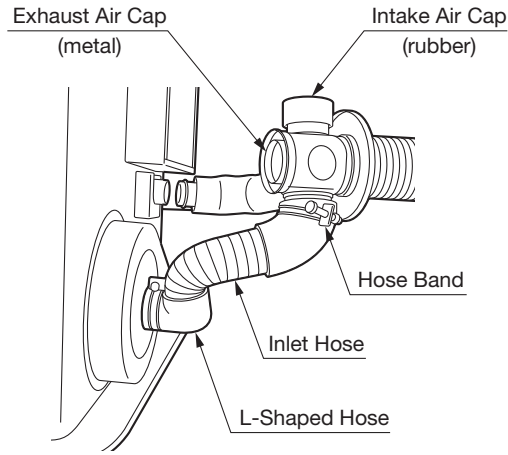


Fig. 10

NOTE: If the inlet hose is not smoothly inserted into the L-shaped hose, apply water or soap suds to the inlet hose. Do not use grease on air intake.

7. In case the circuit board cover gets in the way of the connection of the standard flue pipe, use the exhaust extension pipe (S) for the exhaust outlet opening of the heater (See Fig. 11).

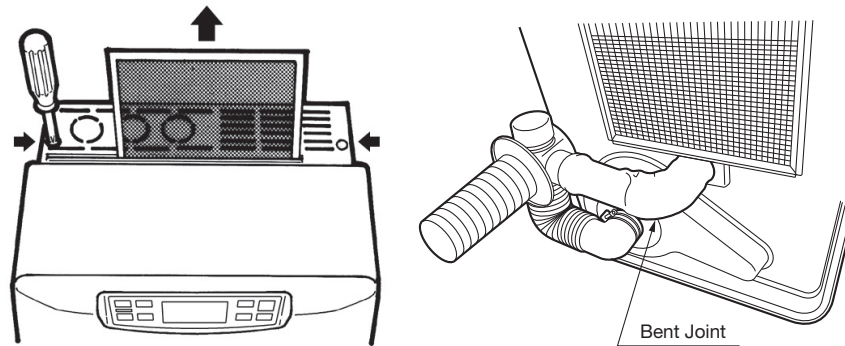


Fig. 11

8. Secure the L-shaped hose to the intake inlet opening with the hose band. Secure the bent joint to the flue pipe with the pipe holder (If the extension pipe is used, also attach the pipe holder to the connection of the bent joint and the extension pipe). Secure the bent joint (or the extension pipe) to the exhaust outlet opening by sliding the pipe stopper in the exhaust opening bracket (See Fig. 13).

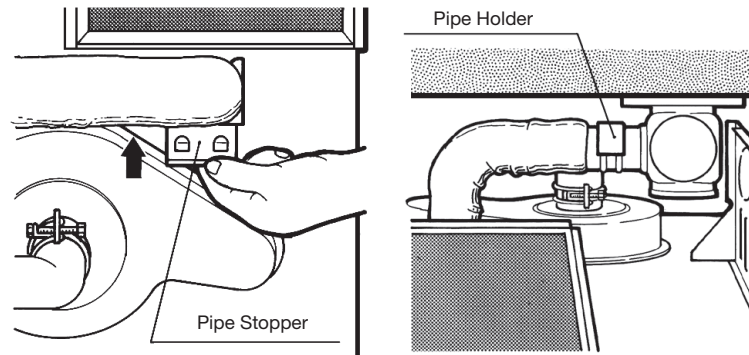


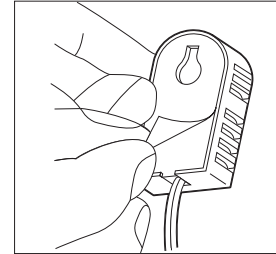
Fig. 12

9. A room temperature sensor is provided with approx. eight (8) feet long extension wire. It is located on the rear of the cabinet. Make sure that the extension wire is not touching the exhaust pipe. The room temperature sensor can be installed either with the self adhesive tape on the back or with a wood screw provided with the sensor depending on the type of surface chosen for installation.

NOTE: Choose a location for the sensor that is not in the path of direct sunlight, drafts or the flow of warm air from the heater.

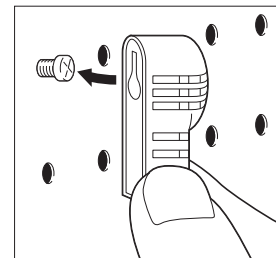
(a) Self Adhesive Tape

Peel off the protective tape on the back of the sensor and expose the adhesives. Place the sensor on the desired location on the wall and press down.



(b) Wood Screw

Screw down the wood screw provided with the heater into the desired location on the wall. Hook the back of the room temperature sensor.



10. After installation is completed, secure heater to the wall with the wall brackets provided with the heater. Make sure the heater is parallel to the wall (See Fig. 16).

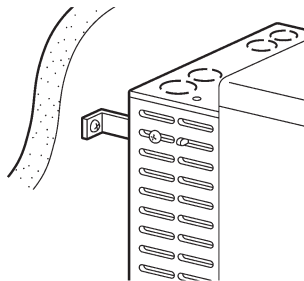


Fig. 13

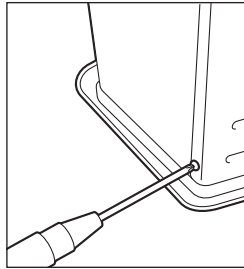
11. Before ignition, recheck the following:

- All connections are tight and firm.
- The heater and the standard flue pipe areas are free of any materials.
- The heater is level and parallel to the wall.
- The exhaust and the intake holes of the standard flue pipe are fully exposed to outdoor air, but not protruded too far from the wall sleeve.

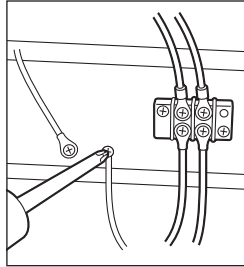
## PERMANENT WIRING INSTALLATION

**WARNING:** MAKE SURE POWER SUPPLY CORD IS DISCONNECTED TO AVOID ANY ELECTRIC SHOCK BEFORE SERVICING. ELECTRIC SHOCK MAY CAUSE SERIOUS INJURY. INSTALLATION SHOULD BE CONDUCTED BY A LICENSED ELECTRICIAN.

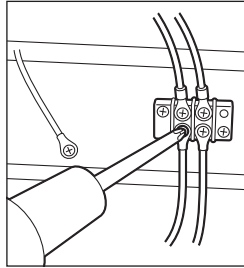
**Step 1.**  
Disconnect power supply cord from power source.  
Remove three (3) screws and control box cover on the back of the heater.



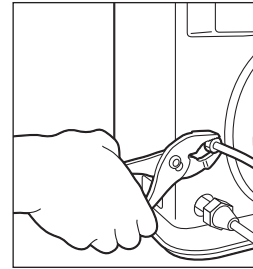
**Step 2.**  
Disconnect ground wire (green wire) from the power supply cord bracket.



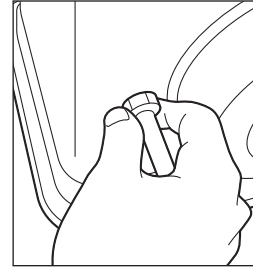
**Step 3.**  
Disconnect two power supply wires from right side of the terminal.



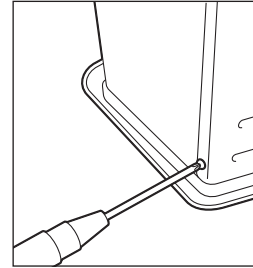
**Step 4.**  
Squeeze strain relief with the adjustable pliers to remove plastic bushing from the power supply cord bracket.  
Remove the power supply cord.



**Step 5.**  
Insert the power supply cable from junction box and connect ground wire to the power supply cord bracket and power wires to the terminal.



**Step 6.**  
Affix the control box cover to the heater and insert screws.



**NOTE:** Emergency power supply and use of 12V DC batteries with an inverter. Consult your dealer before attempting to use a battery/inverter system to provide power for your Laser heater. These units require true sine wave power for proper long-term operation. Some types of modified or block sine wave inverters will cause damage to the electrical components of the heater. Several inverter manufacturers offer true sine wave inverters which should operate the unit without any problems if properly sized and configured. If you have any questions about appropriate power supply, consult your authorized TOYOTOMI dealer.

## SECTION J: FUELING

WARNING: Use only ASTM D3699 1-K kerosene, ASTM D396 Low Sulfur No.1 Fuel Oil, ASTM D975 Ultra Low Sulfur Diesel (ULSD), or Ultra Low Sulfur Heating Oil (ULSHO). NEVER USE GASOLINE. Use of gasoline can lead to uncontrollable flames resulting in destructive fire.

### Laser 531 / Laser 532 FUEL SYSTEM OPTIONS

#### • Large Capacity External Tank

Tank must be purchased separately and installed by a qualified fuel supply technician.

### EXTERNAL TANK INSTALLATION

NOTE: External tank installation must comply with National Fire Protection Association Code NFPA 31, CSA Standard B139, the Installation Code for Oil Burning Equipment, or locally applicable codes. Check with local building officials.

The following instructions should be followed for installation of a large capacity, gravity-fed external fuel tank.

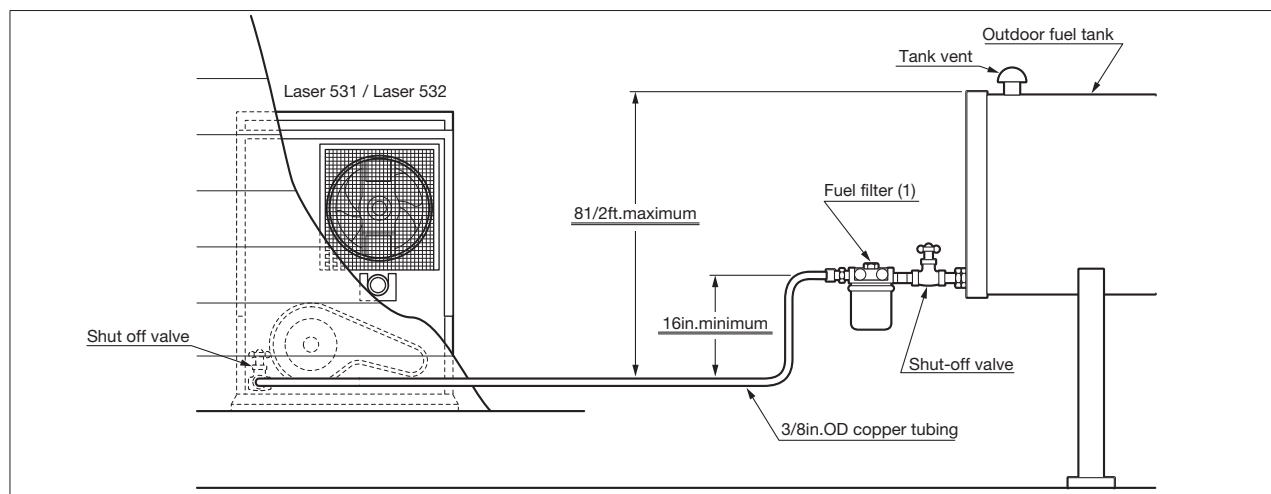
- Installation height of tank's fuel outlet should be at least 16 in. above floor surface upon which heater rests.
- To avoid excess fuel pressure to heater, top of fuel tank should be no more than 8-1/2 ft. above floor surface upon which heater rests.
- Fuel tank should be located at least 6 ft. away from all heat sources.
- 3/8" OD copper tubing should be used for fuel line.
- To prevent air locks in fuel line, fuel line should be smooth with no U-shaped or sharp bends.
- Install a UL listed fuel filter at the fuel tank outlet (**it is highly recommended to use an in-line small mesh size filter with water block, e.g. 10 micro filter**). Shut-off valves should also be installed on the fuel line and connected the tank as illustrated on page 38.

NOTE: An additional shut-off valve installed next to the heater will minimize fuel to be drained should heater have to be disconnected. If the valve is on interior side, a fusible link type is recommended.

1. Be sure all external tanks have an operating vent.
2. Be sure to observe the maximum and minimum tank heights as specified.

NOTE: If the maximum height from the top of the fuel tank to the bottom of the heater exceeds 8-1/2 ft., a fuel pressure reducing valve, preset at 2.5 psi, is required.

Pressure Reducing Valve Part#10005099 has 3/8 in. (N.P.T.) inlet and outlet female openings to accept the fuel line fittings.

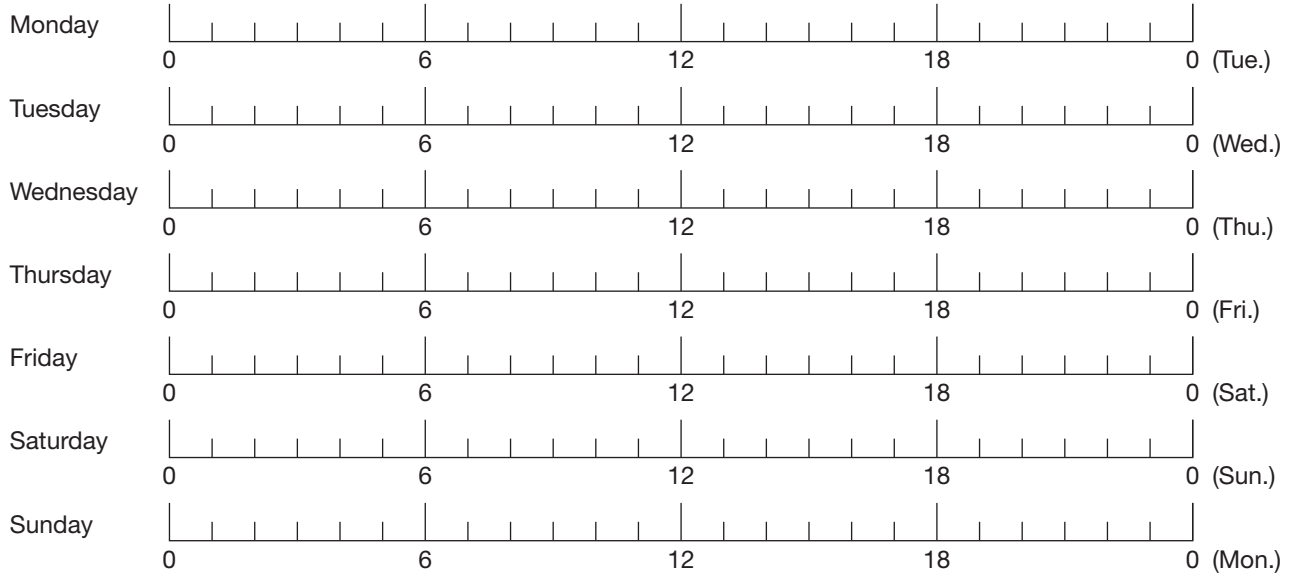


NOTE: Please check local codes for permitted use. (1) 15 or less Micron Filter is recommended.



# SECTION K: CUSTOMER'S RECORD

**WEEKLY TIMER PROGRAM MANAGEMENT TABLE**



Day	P01		P02		P03		P04	
	TIME	SET temp.	TIME	SET temp.	TIME	SET temp.	TIME	SET temp.
SUN		°F		°F		°F		°F
MON		°F		°F		°F		°F
TUE		°F		°F		°F		°F
WED		°F		°F		°F		°F
THU		°F		°F		°F		°F
FRI		°F		°F		°F		°F
SAT		°F		°F		°F		°F

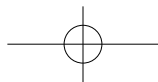
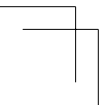
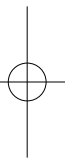
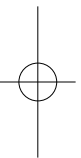
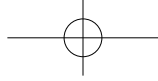
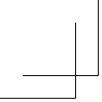
**PRODUCT REGISTRATION**

To register your product please visit our website at [www.toyotomiusa.com/productRegistration.php](http://www.toyotomiusa.com/productRegistration.php) or scan the QR code on your smart device.



Make a note of your heater's serial and lot number, located on the side of the cabinet.  
Your heater's serial and lot number:

SERIAL NO.
------------



# LIMITED WARRANTY

TOYOTOMI U.S.A., INC. ("TOYOTOMI") warrants each product and any parts thereof sold by it to be free from defects in materials or workmanship under normal use and service for TWELVE (12) MONTHS\* from the date of delivery to the original purchaser at retail subject to the following terms and conditions :

**WHAT IS COVERED :** Product or any parts thereof which are defective in materials or workmanship.

**WHAT IS NOT COVERED :**

- (1) This warranty does not extend to any defect due to the negligence of others: failure to install, operate, or maintain unit in accordance with instructions (Installation and Operation instructions are furnished with each new unit); unreasonable use; accidents; alteration, use of unauthorized or non-standardized TOYOTOMI parts and accessories; electrical malfunction, i.e., as resulting from large power surges, short circuit, etc.; incorrect installation; use of any fuel other than that specified in owner's manuals; or repair by anyone other than a service facility specified by TOYOTOMI.
- (2) Normal wear and tear of parts, including hoses, wires, burner mats, fuel nozzles, filters and accessories.
- (3) This warranty does not cover shipping costs.

**WHO IS COVERED :** The original purchaser at retail.

**WHAT WE WILL DO :** TOYOTOMI will either repair or replace, at its option, all defective parts free of charge that are covered by this limited warranty on a carry-in basis, to your nearest authorized dealer or distributor of TOYOTOMI.

**WHAT YOU MUST DO FOR WARRANTY SERVICE :** You must return the defective Product or part to any authorized dealer or distributor of TOYOTOMI with this LIMITED WARRANTY and a copy of your bill of sale or credit card charge receipt or other documents evidencing the date of the Product's delivery, if service is not available locally, please contact our CUSTOMER RELATIONS DEPARTMENT at :

TOYOTOMI U.S.A., INC.  
604 Federal Road, Brookfield, CT 06804  
(203)775-1909

THE FOREGOING EXPRESSES ALL OF TOYOTOMI'S OBLIGATIONS AND LIABILITIES WITH RESPECT TO THE QUALITY OF PRODUCT FURNISHED BY IT. ALL OTHER WARRANTIES, EXPRESSED OR IMPLIED, INCLUDING THE WARRANTIES OF MERCHANTABILITY OR FITNESS FOR A PARTICULAR PURPOSE ARE DISCLAIMED. TOYOTOMI SHALL NOT BE LIABLE FOR THE LOSS OF USE OF THE PRODUCT, INCONVENIENCE, LOSS OR ANY OTHER DAMAGES, DIRECT OR CONSEQUENTIAL ARISING OUT OF, THE USE OF, OR INABILITY TO USE, THE PRODUCT OR DAMAGES RESULTING FROM OR ATTRIBUTABLE TO DEFECTS IN THE PRODUCT.

No one other than TOYOTOMI has authority to extend or modify the terms of this Limited Warranty in any manner whatsoever.

Some states or provinces do not allow the exclusion or limitation of incidental or consequential damages or limitations on how long an implied warranty lasts, so these limitations or exclusions may not apply to you. This Limited Warranty gives you specific legal rights and you may also have other rights that vary from state to state, or province to province.

\* In addition to the warranty period stated above, an extended two (2) year warranty (3 years from date of purchase) is on for the following parts. :

- A. Burner Pot
- B. Heat Chamber (Excluding Glass Cylinder)
- C. Heat Exchanger

**NOTE :** THE EXTENDED WARRANTY POLICY IS APPLICABLE ONLY FOR THE REPLACEMENT OF THE ORIGINAL FACTORY-INSTALLED PARTS THAT HAVE FAILED WITHIN THE TIME LIMITATIONS AS INDICATED. REPLACEMENT PARTS ARE WARRANTED FOR THE REMAINDER OF THE ORIGINAL PART WARRANTY PERIOD. LABOR IS NOT COVERED ON THE EXTENDED WARRANTY.

8367002060

# TOYOTOMI

**TOYOTOMI U.S.A., INC.**

604 Federal Road, Brookfield, CT 06804  
www.toyotomiusa.com

New 00/20  
Part #20471295

Printed in Japan