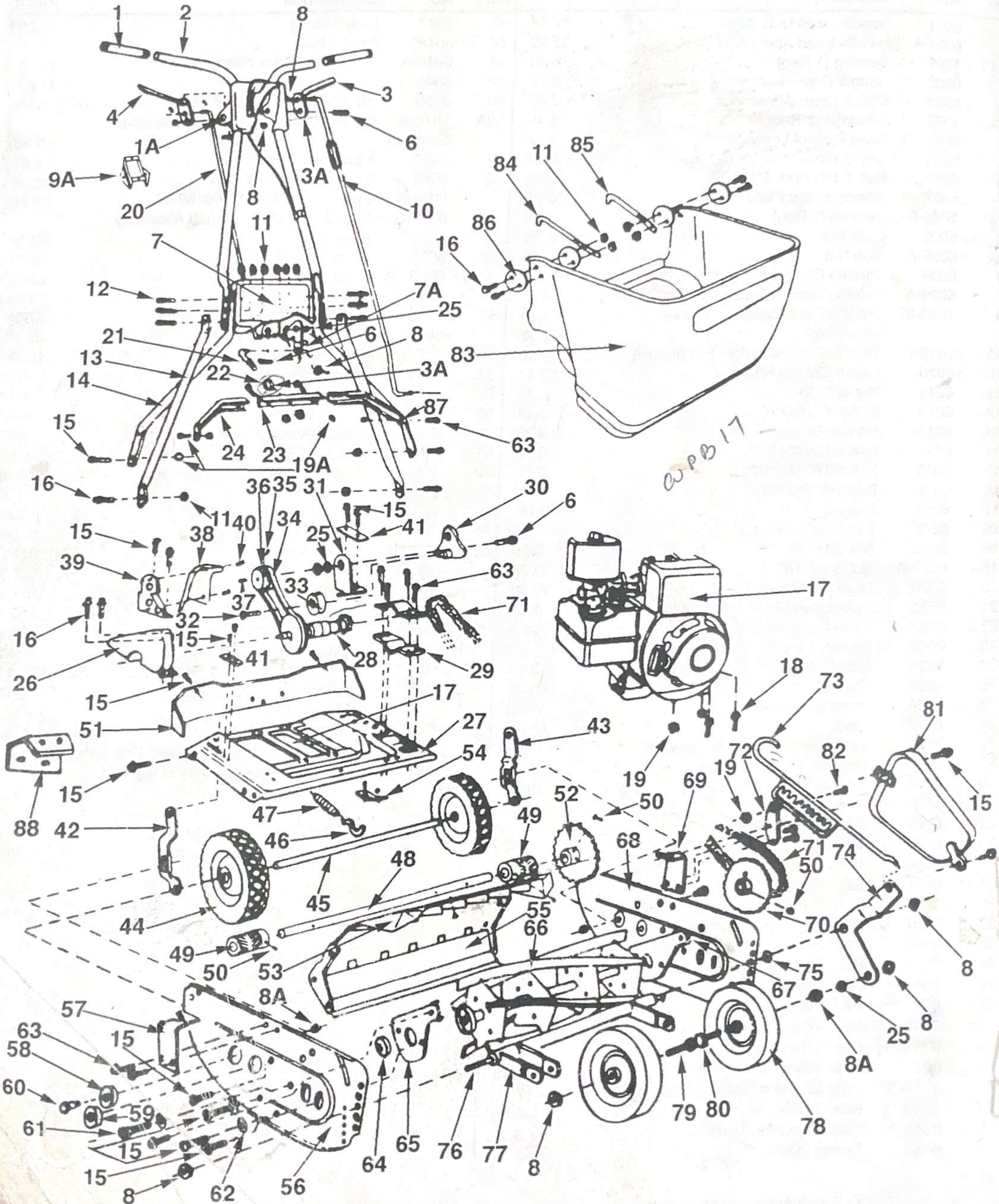


17" SELF-PROPELLED FRONT THROW REEL MOWER PARTS ILLUSTRATION

Form E
08/04

For Mowers Mfg. Since August 1983



FRONT THROW REEL MOWER - 17" PARTS AND PRICE LIST

Supersedes Previous Price Lists

REF. No.	PART No.	DESCRIPTION	LIST PRICE	REF. No.	PART No.	DESCRIPTION	LIST PRICE
1	3001	Handle-Used Until 08/87		39	3039	Rear Wheel Adjuster (Right)	
	3001-A	Handle-Used After 08/87		40	1083	Catcher Hook Bracket (Right)	
2	3002	Handle Grips (2 Req)		41	3341	Height Adjustment Wheel Bracket	
3	3003	Clutch Control Lever w/Bearings		42	1105	Tapered Bolts 5/16"-18x5/8" (8 Req)	
4	1002	Bearings Only (2 Req)		43	3342	Ht. Adjustment Notched Bracket	
5	1027	Cotter Pin 1/8"x3/4" (2 Req)		44	1106	Bushing For Tapered Bolt (8 Req)	
6	1006	Bolt 7/16"-14x1 1/4"		45	3344	Support Bracket	
7	1014	Handle Brace Plate		46	3046	Side Plate (Right) ✓	
8	1008	Lock Nut 7/16"-14 (6 Req)		47	1108	Reel Bearing (2 Req)	
9	1013-A	Throttle Control Assembly Until 08/87		48	1109	Reel Bearing Retainer (Right)	
	2013-C	Throttle Control Clip		49	3049	Tie Rod ✓	
	609-A	Throttle Control Assembly After 08/87		50	3050	Front Wheel Assembly Bar	
9A	2013-F	Throttle Control Holder For 6009-A		51	2016-6	Front Wheel w/Bearing 6" Dia. (2 Req)	
9B	2028	Sheet Metal Screw 10x1/2" (4 Req)		52	3052	Front Wheel Bolt (R) 7/16"-14x2-3/4"	
10	3010	Clutch Control Rod		53	1070	Set Screw, Half Dog 7/16"-20x7/16"	
11	1015	Nut 1/4"-28 (12 Req)		54	10682	Sprocket (25 Teeth With Hub)	
12	1018	Bolt 1/4"-28x7/8" (10 Req)				Until 05/92	
13	3013	Handle Brace (2 Req) L & R			6070-A	Sprocket (25 Tooth) After 05/92	
14	3014	Lower Handle (2 Req) L & R		55	3055	Chain Guard	
15	1033	Bolt 5/16"-18x1/2" (2 Req)		56	1086	Catcher Hook Bracket (Left)	
16	1020	Bolt 1/4"-28x5/8" (2 Req)		57	1111	Reel Bearing Retainer (Left)	
17	1043	Engine		58	3058	Side Plate (Left) ✓	
18	1044	Bolt 5/16"-24x1-1/2" (4 Req)		59	3059-3	Reel, 3 Blade	
19	1075	Nut 5/16"-24 (6 Req)			3059-5	Reel, 5 Blade	
20	3020	Rear Wheel Adjuster (Left)			3059-7	Reel, 7 Blade	
	3020-A	Rear Wheel Adjuster (Left) 76 Model			3059-10	Reel, 10 Blade ✓	
21	3021	Rear Wheel w/Bearing (2 Req)		60	3060	Bed Knife - Until 7/91	
	3021-A	Rear Wheel w/Bearings 76 Model			3060-A	Bed Knife - After 7/91	
	6044-A	Rear Wheel w/Bearings After 09/87 steel		61	3061	Shield - Until 7/91	
22	3022	Rear Axle <i>plastic 6044e</i>			3061-A	Shield - After 7/91	
	3022-A	Rear Axle 76 Model <i>plastic</i>		62	3062	Grass Catcher-Polyethylene	
	6045-A	Rear Axle After 09/87 <i>steel</i>			3062-C	Grass Catcher-Complete	
23	3023	Clip For Shield (1 Req)		63	3063	Catcher Hook (Right)	
24	3024	Deck		64	3064	Catcher Hook (Left)	
25	1028	Bolt 5/16"-18x3/4" (8 Req)		65	3065	Reinforcement Washer, 2" Dia (4 Req)	
26	3026	Belt Guard (Front)		66	1033	Bolt 5/16"-18x1/2"	
27	1049	Flat Head, Phillips Head Screw 3/8"-16x1/2"		67	1074	Bolt	
28	3028	Jack Shaft w/Pulley & Sprocket		67A	1075	Nut (2 Req)	
29	3054	Jack Shaft Bracket			1099	Spacer Bushing	
30	3030	Belt Idler w/Small Bearing		68	3066	Front Wheel Bolt, 7/16"-14x2-1/2" (Left)	
7	N/S 1002	Belt Idler Replacement Bearing		69	6051	Rear Deck Guard	
7	31	3031 Clutch Base Plate		98	1056	Chain No. 41-44 Pitches	
	32	3032 Washer (2 Req) →		101	3096	Deck Stiffener	
	33	3033 Idler Bearing		*N/S 3100		Deadman Control Conversion Kit	
	34	1060 Clutch Belt		*N/S 3029		Clutch Spring	
	35	1065 Allen Screw Set 5/16"-24x5/16"		*N/S 5008		Reel Sprocket (30 Teeth) For Mowers 1982 & Older	
	36	1063 Engine Pulley After 08/89					
	37	1064 Key For Eng. Pulley Shaft 3/16"x3/16" x5/8"					
	38	3074 Belt Guard (Back)					
	38A	3075 Belt, Guard Bracket					

* Not Shown On Illustration

ALL ORDERS UNDER \$15.00 ARE C.O.D.